

DB201 Cutting Chart

Radial and Radiator Lengths For Field Tuning

30-50 MHz, 66-88 MHz, 120-150 MHz, 150-174 MHz, 406-420 MHz, 450-512 MHz.

CUTTING INSTRUCTIONS

The DB201 Ground Plane Omni Antenna is typically pre-cut and pretuned at the factory before shipment; however, uncut antennas, which can be field tuned, are available. The following charts list the lengths to which the radiating element and the ground radials should be cut to obtain a certain desired frequency when field tuning uncut DB201 antennas.

To determine the correct lengths, find the desired frequency in the "Frequency" columns. Then, follow across to the right to the "A" and "B" columns to find the lengths. The length of the radiating element is shown in column "A" (see Figure 1) and the length of the ground radials is shown in column "B" (see Figure 2). All measurements are in inches.

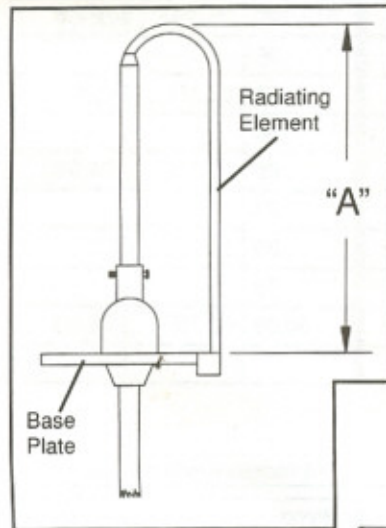


Figure 1 - Radiating Element Length (Shown in Column "A". All measurements are in inches.)

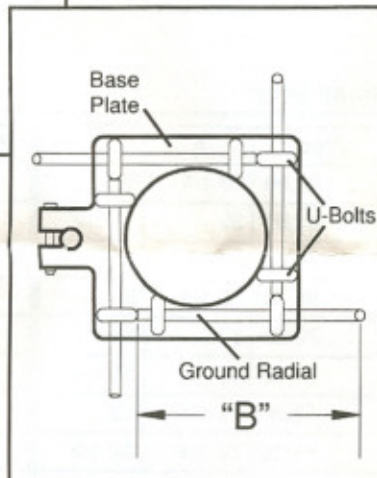


Figure 2 - Ground Element Lengths (Shown in Column "B". All measurements are in inches.)

Warning!

Installation of this product near power lines is *dangerous*. For your safety, follow the installation procedures provided with the antennas.

30-50 MHz

(All measurements are in inches.)

Freq.	A	B	Freq.	A	B
30.00	90	127	33.50		
.10			.60	80	113 3/4
.20	89 1/2	126	.70		
.30			.80	79 3/4	113
.40	88 3/4	125 1/2	.90		
.50			34.00	79 1/2	112 1/2
.60	88	124 3/4	.10		
.70			.20	78 3/4	111 3/4
.80	87 1/2	124	.30		
.90			.40	78 1/4	111
31.00	87	123	.50		
.10			.60	78	110 1/2
.20	86 1/4	122 1/4	.70		
.30			.80	77 1/2	110
.40	85 3/4	121 1/2	.90		
.50			35.00	77	109 1/2
.60	85	120 3/4	.10		
.70			.20	76 3/4	109
.80	84 1/2	120	.30		
.90			.40	76 1/4	108 1/2
32.00	84	119 1/4	.50		
.10			.60	75 1/2	107 3/4
.20	83 1/2	118 1/2	.70		
.30			.80	75	107 1/4
.40	83	118	.90		
.50			36.00	74 3/4	106 1/2
.60	82 1/2	117	.10		
.70			.20	74 1/4	106
.80	82	116 1/2	.30		
.90			.40	74	105 1/2
33.00	81 1/2	115 3/4	.50		
.10			.60	73 1/2	105
.20	81	115	.70		
.30			.80	73 1/4	104 1/2
.40	80 1/2	114 1/2	.90		

(Continued on page 2)



DECIBEL PRODUCTS
A Division of the ALLEN TELECOM GROUP

8635 Stemmons Freeway • P. O. Box 569610 • Dallas, Texas 75356-9610
214 / 631-0310 • Fax: 214 / 631-4706



30-50 MHz

(Continued from page 1)

Freq.	A	B	Freq.	A	B
37.00	72 3/4	103 3/4	41.10		
.10			.20	66 3/4	95 1/4
.20	72 1/4	103 1/4	.30		
.30			.40	66 1/2	94 3/4
.40	72	102 3/4	.50		
.50			.60	66 1/4	94 1/2
.60	71 1/2	102	.70		
.70			.80	65 3/4	93 3/4
.80	71	101 1/2	.90		
.90			42.00	65 1/2	93 1/2
38.00	70 3/4	101	.10		
.10			.20	65 1/4	93
.20	70 1/4	100 1/2	.30		
.30			.40	65	92 1/2
.40	70	100	.50		
.50			.60	64 1/2	92
.60	69 1/2	99 1/4	.70		
.70			.80	64 1/4	91 3/4
.80	69	98 3/4	.90		
.90			43.00	64	91 1/4
39.00	69 3/4	98 1/4	.10		
.10			.20	63 3/4	90 7/8
.20	68 1/4	98	.30		
.30			.40	63 1/2	90 1/2
.40	68	97 1/2	.50		
.50			.60	63 1/4	90
.60	67 3/4	97	.70		
.70			.80	63	89 3/4
.80	67 1/2	96 1/2	.90		
.90			44.00	62 1/2	89 1/2
40.00	67 1/4	96 1/2	.10		
.10			.20	62 1/4	89
.20	67 1/4	96 3/8	.30		
.30			.40	62	88 1/2
.40	67 1/8	96 1/4	.50		
.50			.60	61 3/4	88
.60	67 1/8	96	.70		
.70			.80	61 1/2	87 1/2
.80	67	95 3/4	.90		
.90			45.00	61 1/4	87 1/4
41.00	67	95 1/2	.10		

(Continued)

30-50 MHz

(Continued)

Freq.	A	B	Freq.	A	B
45.20	60 3/4	87	.70		
.30			.80	58 1/4	82 3/8
.40	60 1/2	86 3/4	.90		
.50			48.00	58	82
.60	60 1/4	86 1/2	.10		
.70			.20	57 7/8	81 3/4
.80	60	86	.30		
.90			.40	57 3/4	81 1/4
46.00	59 3/4	86 1/2	.50		
.10			.60	57 1/2	81
.20	59 5/8	86 1/4	.70		
.30			.80	57 1/8	80 3/4
.40	59 1/2	85 7/8	.90		
.50			49.00	57	80
.60	59 1/2	85 1/2	.10		
.70			.20	56 3/4	79 7/8
.80	58 1/4	85	.30		
.90			.40	56 1/2	79 1/2
47.00	59	83 3/4	.50		
.10			.60	56 1/4	79 1/4
.20	58 7/8	83 1/4	.70		
.30			.80	56	79
.40	58 3/4	83	.90		
.50			50.00	55 7/8	78 1/2
.60	58 1/2	82 3/4			

66-88 MHz

(All measurements are in inches.)

Freq.	A	B	Freq.	A	B
66.00	39 1/2	57 1/2	78.00	34 1/2	47 3/4
67.00	39	56 1/2	79.00	34	47
68.00	38 3/4	56 3/4	80.00	33 1/2	46 1/2
69.00	38 1/4	55	81.00	32 3/4	46
70.00	38	54 1/2	82.00	32 1/2	45 3/4
71.00	37 1/2	53 3/4	83.00	32 1/4	45 1/2
72.00	37 1/4	53	84.00	32	44 1/4
73.00	36 3/4	52 1/2	85.00	31 3/4	44
74.00	36 1/2	52	86.00	31 1/4	43 3/4
75.00	35 1/2	49 1/2	87.00	30 1/2	43 1/4
76.00	35	49	88.00	30 1/4	43
77.00	34 3/4	48 1/2			



DECIBEL PRODUCTS
A Division of the ALLEN TELECOM GROUP

8635 Stemmons Freeway • P. O. Box 569610 • Dallas, Texas 75356-9610
214 / 631-0310 • Fax: 214 / 631-4706



120-150 MHz

(All measurements are in inches.)

Freq.	A	B	Freq.	A	B
120.00	22 1/2	31 3/4	136.00	19 7/8	28
121.00	22 5/16	31 1/2	137.00	19 11/16	27 13/16
122.00	22 1/8	31 1/4	138.00	19 9/16	27 5/8
123.00	21 15/16	31	139.00	19 7/16	27 7/16
124.00	21 3/4	30 3/4	140.00	19 5/16	27 3/16
125.00	21 9/16	30 1/2	141.00	19 1/8	27
126.00	21 7/16	30 1/4	142.00	19	26 5/8
127.00	21 1/4	30	143.00	18 7/8	26 13/16
128.00	21 1/16	29 3/4	144.00	18 5/8	27 9/16
129.00	20 15/16	29 1/2	145.00	18 1/2	27 3/8
130.00	20 3/4	29 5/16	146.00	18 3/8	27 1/4
131.00	20 5/8	29 1/16	147.00	18 1/4	27
132.00	20 7/16	28 7/8	148.00	18 1/8	26 7/8
133.00	20 5/16	28 5/8	149.00	18	26 5/8
134.00	20 1/8	28 7/16	150.00	17 7/8	26 1/2
135.00	20	28 3/16			

150-174 MHz

(All measurements are in inches.)

Freq.	A	B	Freq.	A	B
150.00	17 7/8	26 1/2	163.00	16 3/8	24 7/16
151.00	17 3/4	26 5/16	164.00	16 1/4	24 5/16
152.00	17 5/8	26 1/8	165.00	16 3/16	24 1/8
153.00	17 1/2	26	166.00	16 1/16	24
154.00	17 3/8	25 7/8	167.00	16	23 7/8
155.00	17 1/4	25 5/8	168.00	15 7/8	23 3/4
156.00	17 1/8	25 1/2	169.00	15 3/4	23 5/8
157.00	17	25 3/8	170.00	15 5/8	23 1/2
158.00	16 7/8	25 3/16	171.00	15 9/16	23 3/8
159.00	16 3/4	25	172.00	15 1/2	23 1/4
160.00	16 11/16	24 7/8	173.00	15 3/8	23 1/8
161.00	16 5/8	24 3/4	174.00	15 5/16	23
162.00	16 1/2	24 5/8			

406-420 and 450-512 MHz

(All measurements are in inches.)

Freq.	A	B	Freq.	A	B
406 to 420	7 1/4	9 3/8	490.00	5 3/4	8
450.00	6 3/8	8 5/8	500.00	5 5/8	7 7/8
460.00	6 1/8	8 1/2	510.00	5 1/2	7 3/4
470.00	6	8 3/8	512.00	5 1/2	7 5/8
480.00	5 7/8	8 1/4			

