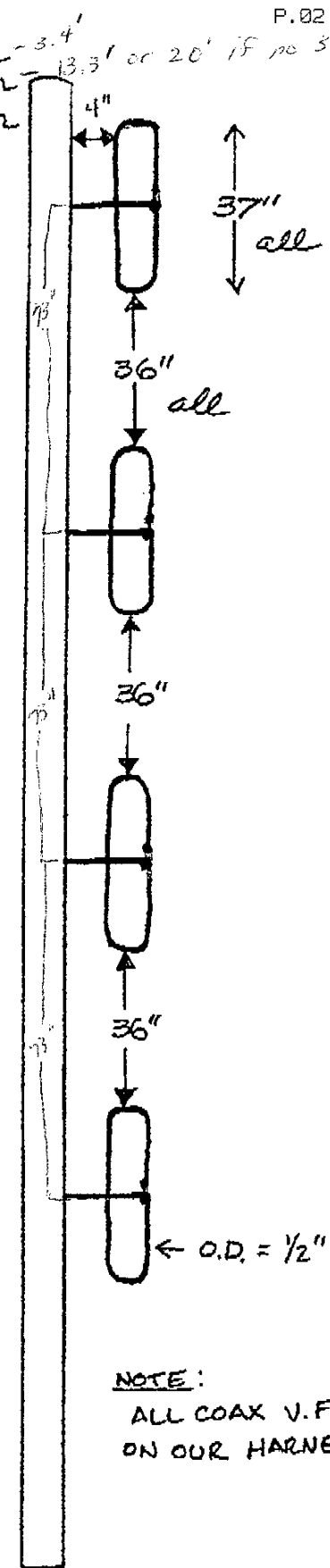
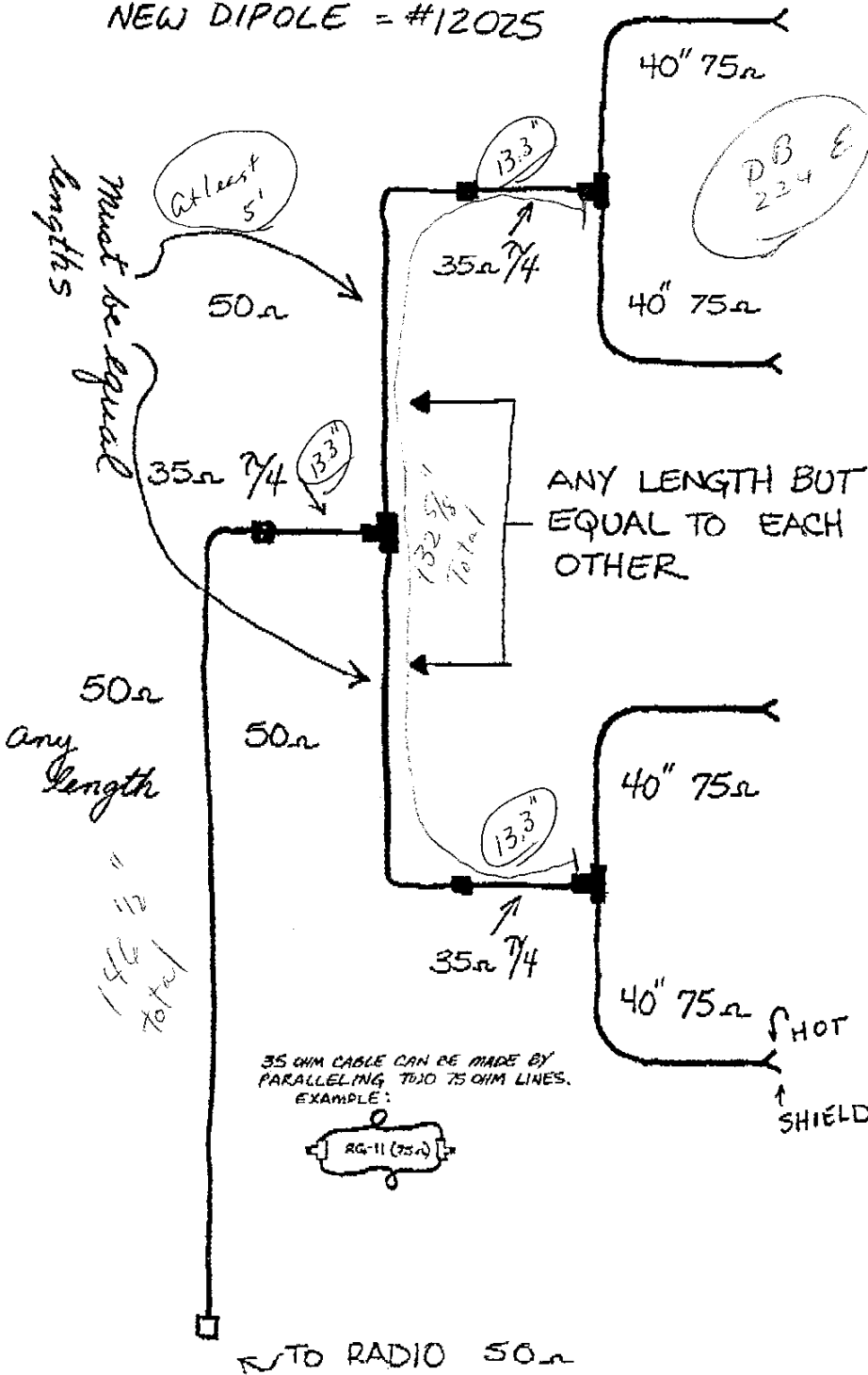


DB224
144-148 MHz

VB83 = RG83 = 35Ω - 3.4' or 20' if no 35Ω
 VB11 = RG11 = 75Ω - 13.3'
 VB8 = RG8 = 52Ω

NEW HARNESS = #12031
 NEW DIPOLE = #12025

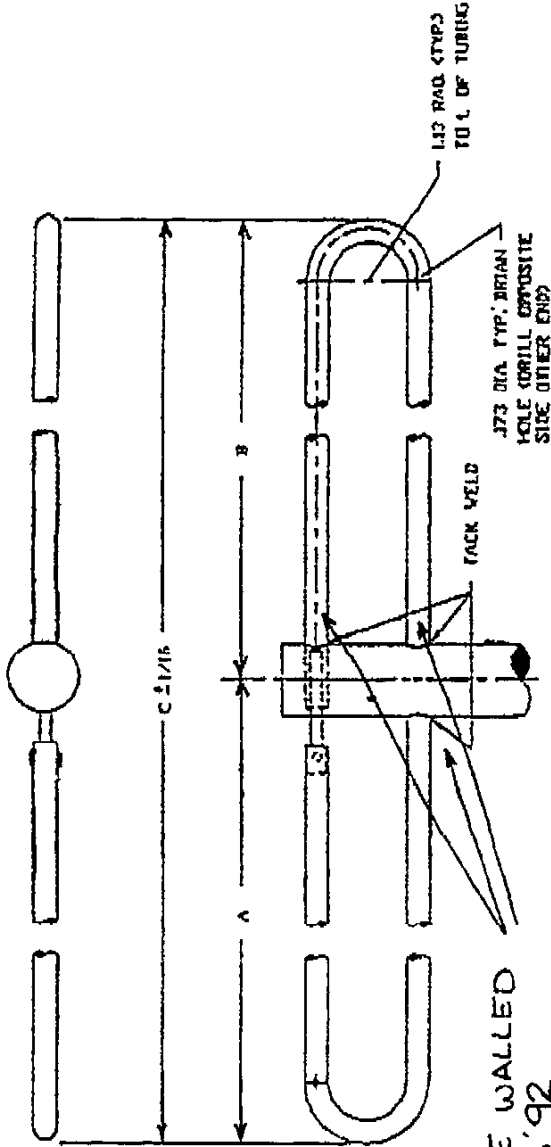


NOTE:
 ALL COAX V.F. = .66
 ON OUR HARNESSES

example:
 Length of 35Ω = $\frac{984}{F(\text{MHz})} \times 3 \times \text{V.F.}$
 in feet
 = 13.3" at 146.5 MHz
 ↑ OR ANY ODD MULTIPLE

D. LITTLE - 1991
 AFSU

(HAM) NEW DIPOLE REPLACEMENT - #12025
 RUGGIDIZED (4) DIPOLES KIT FOR DB224 - #12088
 (FOR ICE)



NOW DOUBLE WALLED
 AS OF JAN. '92

ANTENNA	DASH #	FREQ (MHZ)	DMVA'	DMFB'	DMFC'
DB 224/228	-001	150-160	16 1/4	17 1/4	31 3/4
DB 224/229	-002	155-165	16 3/8	17 3/8	32 3/4
DB 224/228	-003	164-174	15 1/8	15 1/8	31 1/4
DB 222	-004	159-158	17 1/4	17 1/4	31 1/2
DB 222	-005	158-166	16 3/8	16 3/8	32 3/4
DB 220/222	-006	166-174	15 1/2	15 1/2	31
DB 224/228	-007	138-150	18 1/4	18 1/4	37
DB 220	-008	146-153	17 3/8	17 3/8	33 1/8
DB 228	-009	153-160	17	17	34
DB 220	-010	160-167(SF)	16 1/4	16 1/4	32 1/2
DB 222	-012	137-143	18 1/8	18 1/8	37 1/4
DB 220	-013	160-167	16	16	32

* →
 DB224-E
 MODEL

DB224
 ELEMENT DATA

2-METER
 HAM BAND
 144-148

ENGINEER: DAVID S. LITTLE SYSTEMS ENGINEER

PROJECT NUMBER: FILE

DATE: SEPT 23, 1992



1-800-676-3342

DECIBEL PRODUCTS