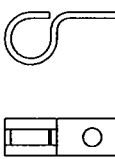
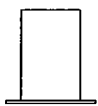

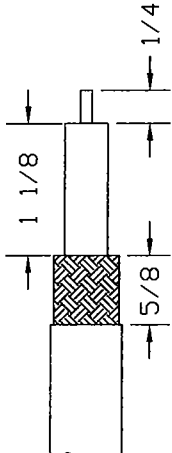
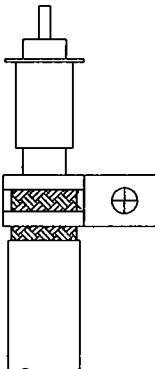
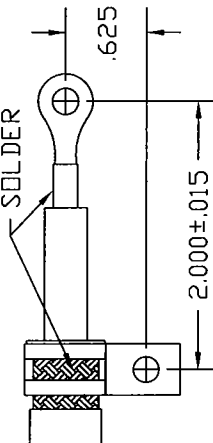


090042-000

DRAWN V. ZABY DATE 1-11-83 CHK. DATE DESIGN ENG. DATE MFG. ENG. S.V. DATE 1-19-83 RELEASED P.B.S. DATE 1-18-83		TITLE: CABLE TERMINAL ASSEMBLY INSTRUCTIONS DB 400 SERIES ANTENNAS	
GROUND CLAMP  018100-001		BRASS EYELET  007057-001	
TERMINAL LUG  007063-005		CUT CABLES TO PROPER DIMENSIONS AS SHOWN	
		POSITION CLAMP OVER BRAID SO THAT EDGE IS EVEN WITH CUT END OF BRAID. INSERT EYELET UNDER BRAID UNTIL FLANGE IS FLUSH WITH CLAMP. CRIMP CLAMP TO HOLD IN PLACE. SOLDER EYELET AND CLAMP TO BRAID. REVERSE CLAMP FOR OPPOSITE HAND.	
		PLACE LUG ON CENTER CONDUCTOR AS SHOWN AND CRIMP. SOLDER AS INDICATED IN ILLUSTRATION.	
		POT ASSEMBLY AS SHOWN.	
A ECN 9135 ADDED TOLERANCE TO STEP THREE 11-22-91 EC JB		DECIBEL PRODUCTS DALLAS, TEXAS	