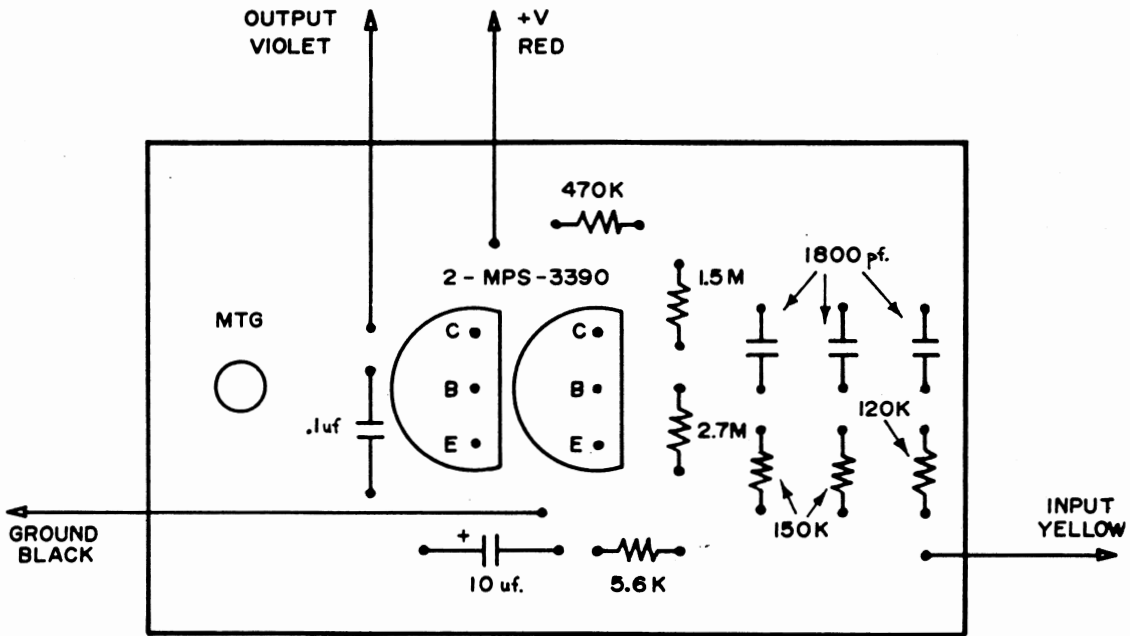
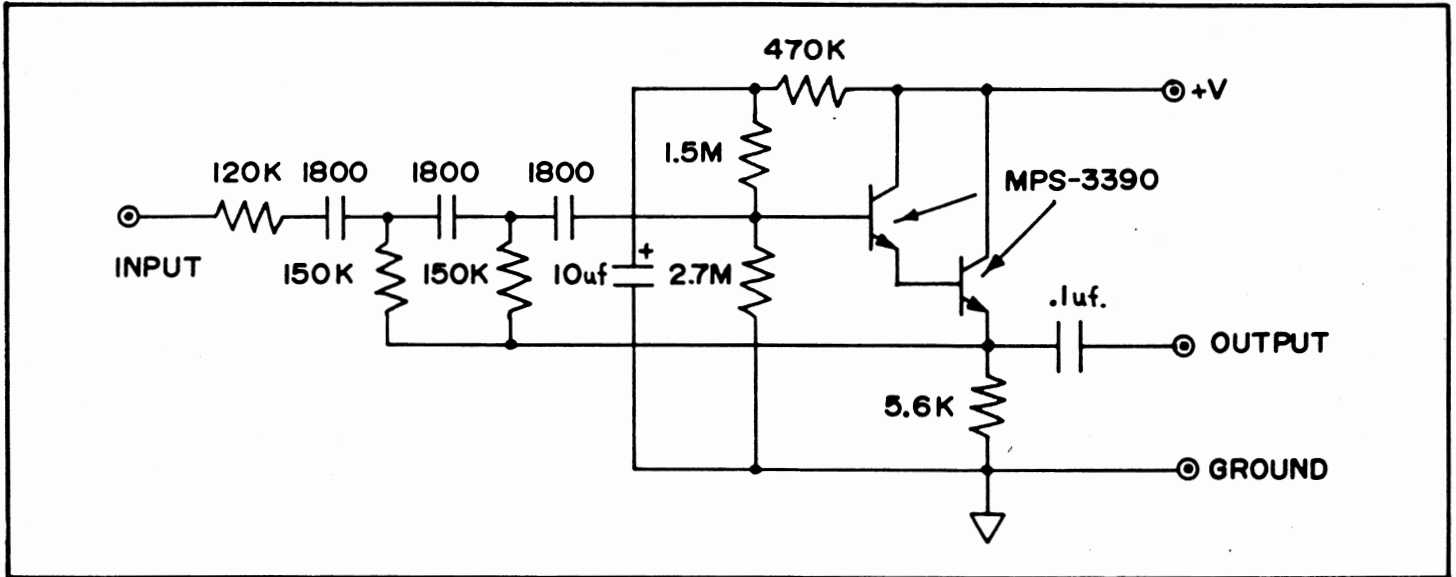


# HP-1A INSTRUCTION SHEET



VIEW FROM COMPONENT SIDE OF BOARD



## PARTS LIST

- |  |       |           |
|--|-------|-----------|
| 1 - 5.6K 1/8 watt resistor, 5% carbon film   | ..... | \$.31 ea. |
| 1 - 120K 1/8 watt resistor, 5% carbon film   | ..... | .31 ea.   |
| 2 - 150K 1/8 watt resistor, 5% carbon film   | ..... | .31 ea.   |
| 1 - 470K 1/8 watt resistor, 5% carbon film   | ..... | .31 ea.   |
| 1 - 1.5M 1/8 watt resistor, 10% carbon Comp. | ....  | .22 ea.   |
| 1 - 2.7M 1/8 watt resistor, 10% carbon Comp. | ....  | .22 ea.   |
| 2 - MPS3390 Transistors, NPN, Silicon        | ..... | .49 ea.   |
| 3 - 1800pf, 50v Capacitor, CW15 ceramic      | ..... | 1.25 ea.  |
| 1 - .1uf, 50v Capacitor, CW15 ceramic        | ..... | 2.00 ea.  |
| 1 - 10uf, 20v Capacitor, Tantalum            | ..... | .87 ea.   |
| 1 - Printed Circuit Board                    | ..... | 2.00 ea.  |
| 4 - Wires, colored #28, 12" long             | ..... | .10 ea.   |
| 1 - 4-40 angle, 90 degrees                   | ..... | .15 ea.   |
| 1 - 4-40 spacer with (2) 4-40 screws         | ..... | .15 ea.   |

## HOOK-UP INSTRUCTIONS

1. Mount the board with the hardware supplied.
2. Hook-up red wire to +6 to 12vdc and black wire to ground.
3. Cut audio path in receiver and hook-up HP-1A input wire (yellow) and output wire (violet) in series with that broken path. The discriminator, where the input to the tone decoder is hooked is usually a good spot. Receivers that incorporate factory tone have high-pass filters in them or on the tone deck. Hook-up should be where that filter would have been connected. Use shielded wire if hum is present in the audio after installation

Price: ~~\$19.95 each~~ \$12.95 ea.



Communications Specialists

426 W. Taft Ave. Orange, Ca. 92667 (714) 998-3021