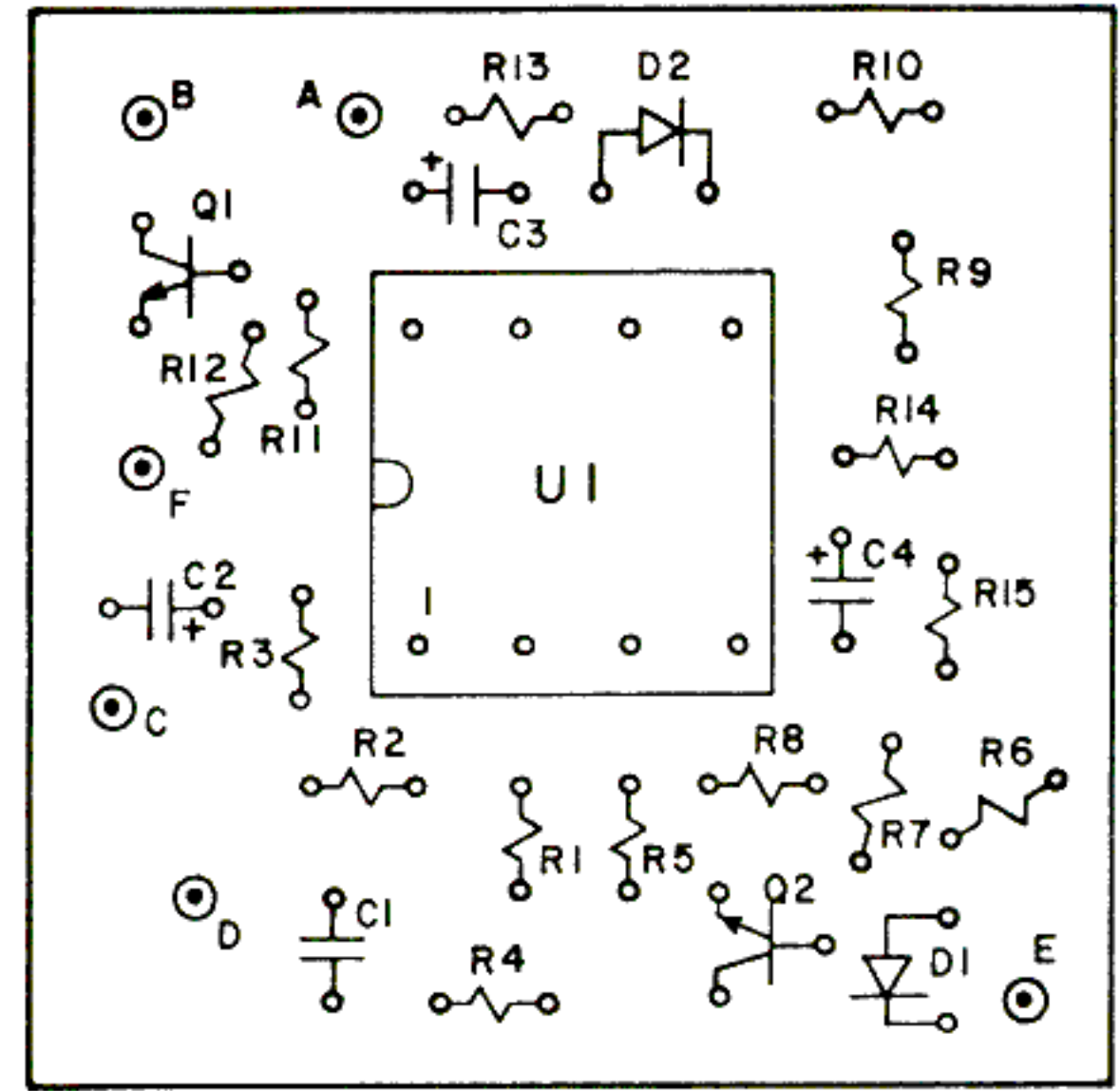
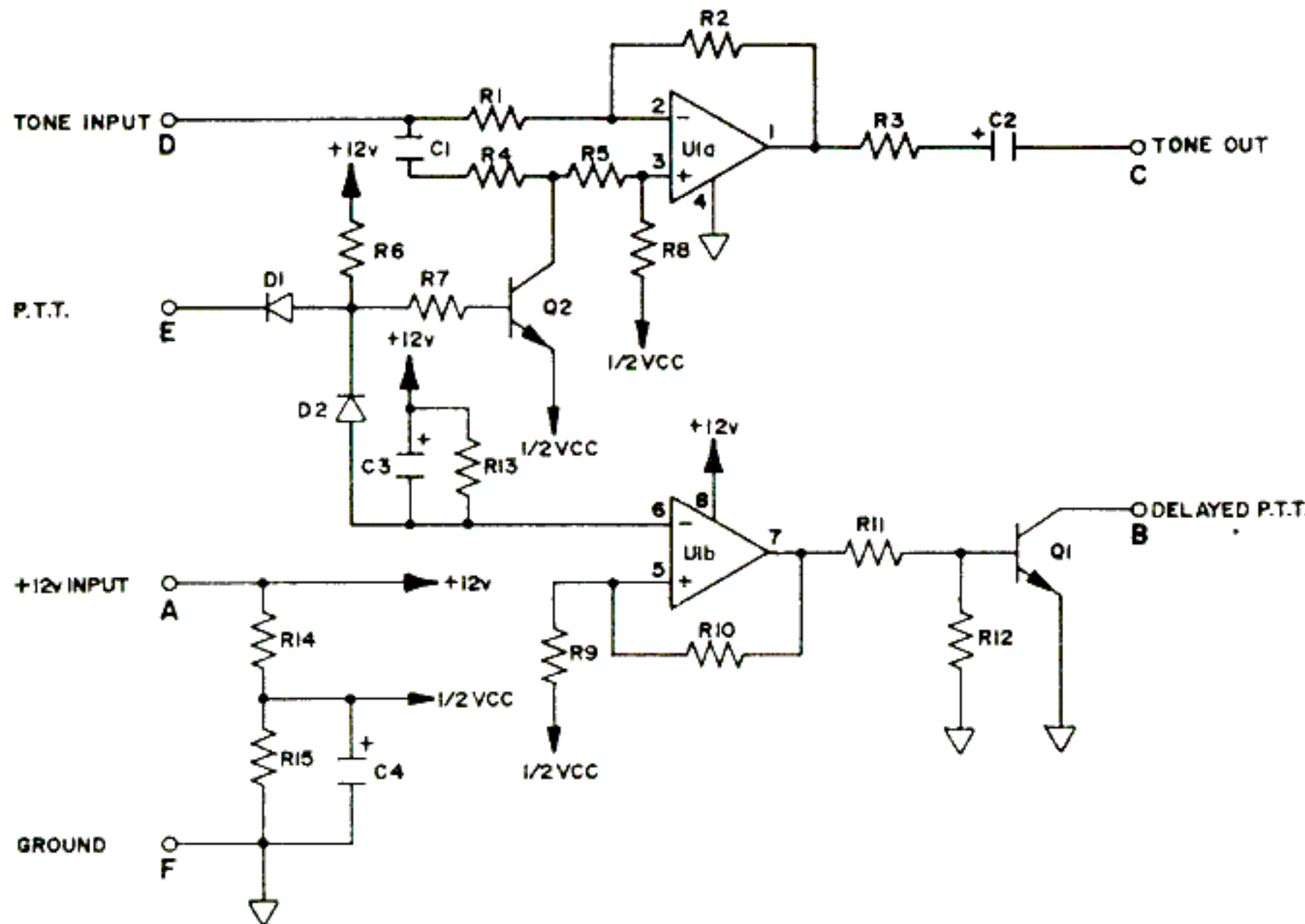


RB-1 INSTRUCTION SHEET



MODEL RB-1 REVERSE BURST ACCESSORY

INSTRUCTIONS

DESCRIPTION

The RB-1 consists of a unity gain switchable phase inverter and a 200 ms delay-off switch.

The RB-1 may be used with most CTCSS encoders to provide the "reverse burst" function.

CONNECTIONS

The RB-1 is normally inserted in "series" with the radio's PTT and tone encoder audio paths.

There are six connecting pins located on the RB-1 circuit board. The following table shows the function of each pin.

PIN	FUNCTION	CONNECTIONS
A	Power Supply Positive	Connect to (6 to 12V) Positive
B	Delayed Push To Talk	Connect to transmitter PTT line.
C	Tone Output	Connect to radio tone encoder input.
D	Tone Input	Connect to tone encoder output.
E	Push To Talk	Connect to microphone PTT switch.
F	Power Supply Negative	Connect to ground or Negative.

PARTS LIST RB-1

REF. DESIG.	CSI NO.	DESCRIPTION	PRICE
R1,2	06-1048	100K 1/8W 5% Carbon Film Resistor	.22 ea.
R3	06-1038	10K 1/8W 5% Carbon Film Resistor	.22 ea.
R4,5	06-4738	47K 1/8W 5% Carbon Film Resistor	.22 ea.
R6	06-1538	15K 1/8W 5% Carbon Film Resistor	.22 ea.
R7	06-2738	27K 1/8W 5% Carbon Film Resistor	.22 ea.
R8	06-6848	680K 1/8W 5% Carbon Film Resistor	.22 ea.
R9	06-1048	100K 1/8W 5% Carbon Film Resistor	.22 ea.
R10	06-5648	560K 1/8W 5% Carbon Film Resistor	.22 ea.
R11	06-1038	10K 1/8W 5% Carbon Film Resistor	.22 ea.
R12	06-2228	2.2K 1/8W 5% Carbon Film Resistor	.22 ea.
R13	06-2248	220K 1/8W 5% Carbon Film Resistor	.22 ea.
R14, 15	06-4728	4.7K 1/8W 5% Carbon Film Resistor	.22 ea.
C1	21-1040	.1 Mfd 50V 10% Mono. Ceramic Cap.	2.00 ea.
C2, 3, 4	19-1051	1 Mfd 35V 20% Tantalum Capacitor	.27 ea.
D1, 2	48-4148	1N4148 75 PRV 100 mA Silicon Diode	.15 ea.
Q1, 2	48-4401	2N4401 Silicon NPN Transistor	.20 ea.
U1	51-0062	TL062 Dual Operational Amplifier	2.20 ea.
1 ea.	09-8508	8 pin I.C. socket	.39 ea.
6 ea.	05-1007	Bead Chassis Pin R50-1	.01 ea.
1 ea.	84-1036	RB-1 P.C.B.	3.57 ea.
2 ea.	75-1002	Double sided Tape Square	.05 ea.
1 ea.	RB-1W KIT	RB-1 Wire Kit	1.00 ea.

PRECAUTIONS

- 1) Never switch more than 100 mA at pin B.
- 2) If your radio uses a PTT relay, it is recommended that you install a protection diode across the relay coil (cathode to +V).
- 3) Always A.C. couple pin D to the tone encoder. Install a 1 Mfd capacitor between the encoder and the RB-1 if the encoder does not have a coupling capacitor.

Communications Specialists, Inc.
 426 W. Taft Ave., Orange, CA 92665-4296
 (800) 854-0547 / (714) 998-3021 (Local)