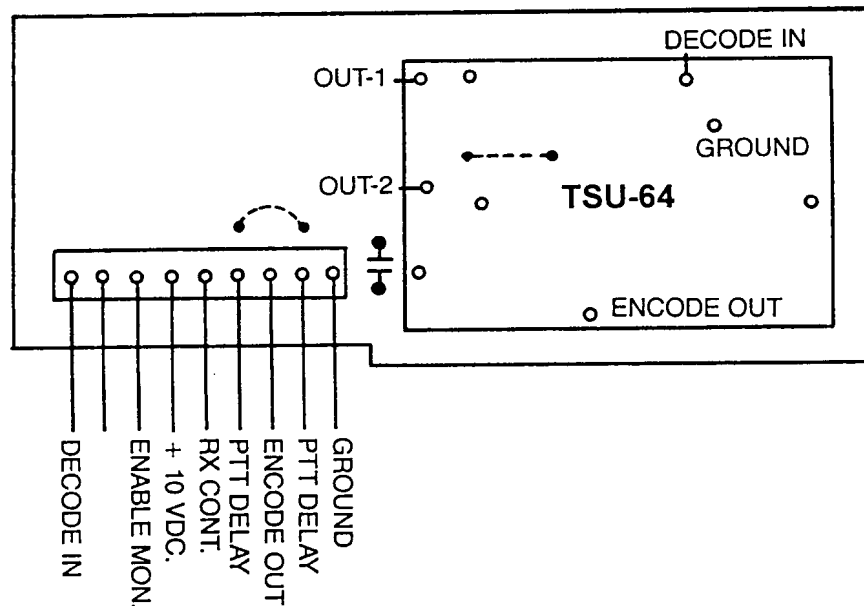


TS-64MSTII INSTRUCTION SHEET



Notes: Audio Filter NOT used on TSU-64

PARTS LIST TS-64MSTII (MASTR II)

1 ea.	21-2240	.22uf Mono Capacitor	.23 ea.
1 ea.	09-8506	3 Pin Molex Socket (GOLD)	\$1.78 ea.
1 ea.	09-8505	6 Pin Molex Socket (GOLD)	\$1.78 ea.
7 ea.	05-1008	Amp Chassis Pins	.28 ea
2 ea.	30-7035	Wire Jumper	.03 ea.
1 ea.	84-1034	Printed Circuit Board	\$4.05 ea.

NOTE

Carefully use a screwdriver to evenly pry up edges of TSU-64 as its pins are easily bent