

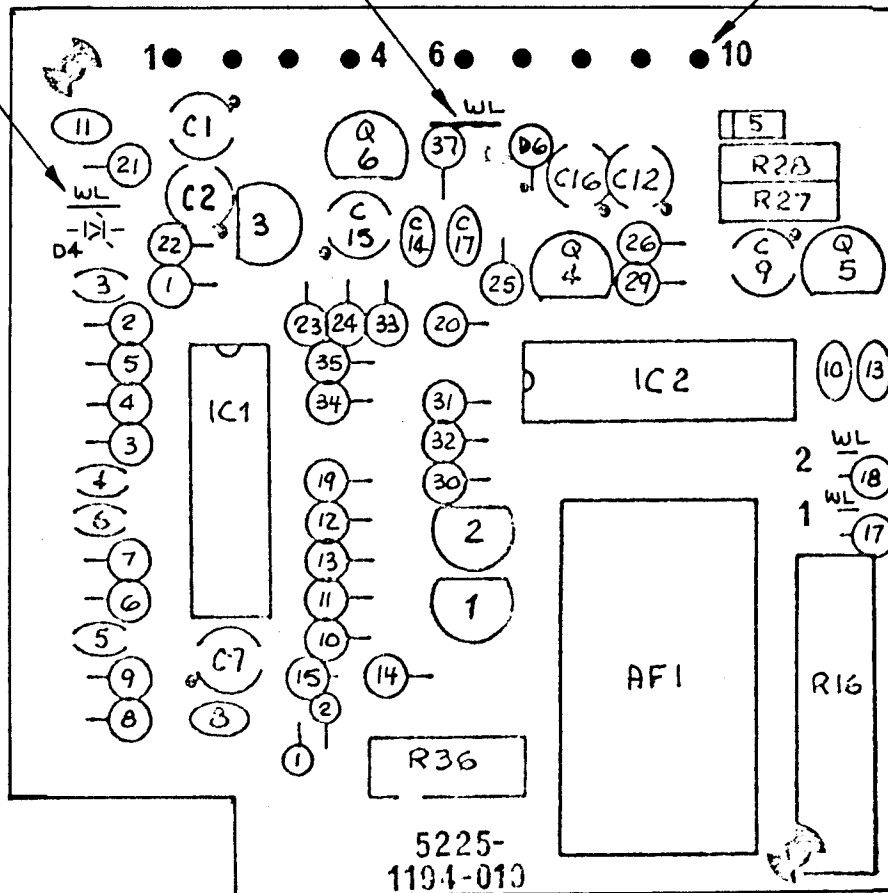
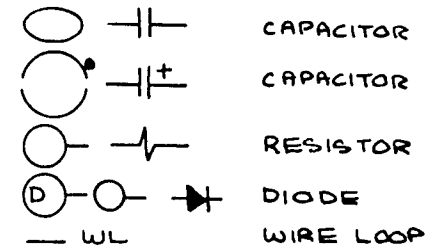
CUT JUMPER FOR +VE SQ. GATE

NOTE 1.

ITEM 2 (QTY 9)

PIN DESIGNATIONS

1. (+) OR (-) HOOK SW.
2. (-) SQUELCH GATE
3. TONE IN
4. (+) 12 V DC
5. NC
6. PHASE REVERSE
7. (-) GND (COMMON)
8. TONE OUT"
9. LEVEL TEST
10. (+) SQUELCH GATE



OBSCLETE

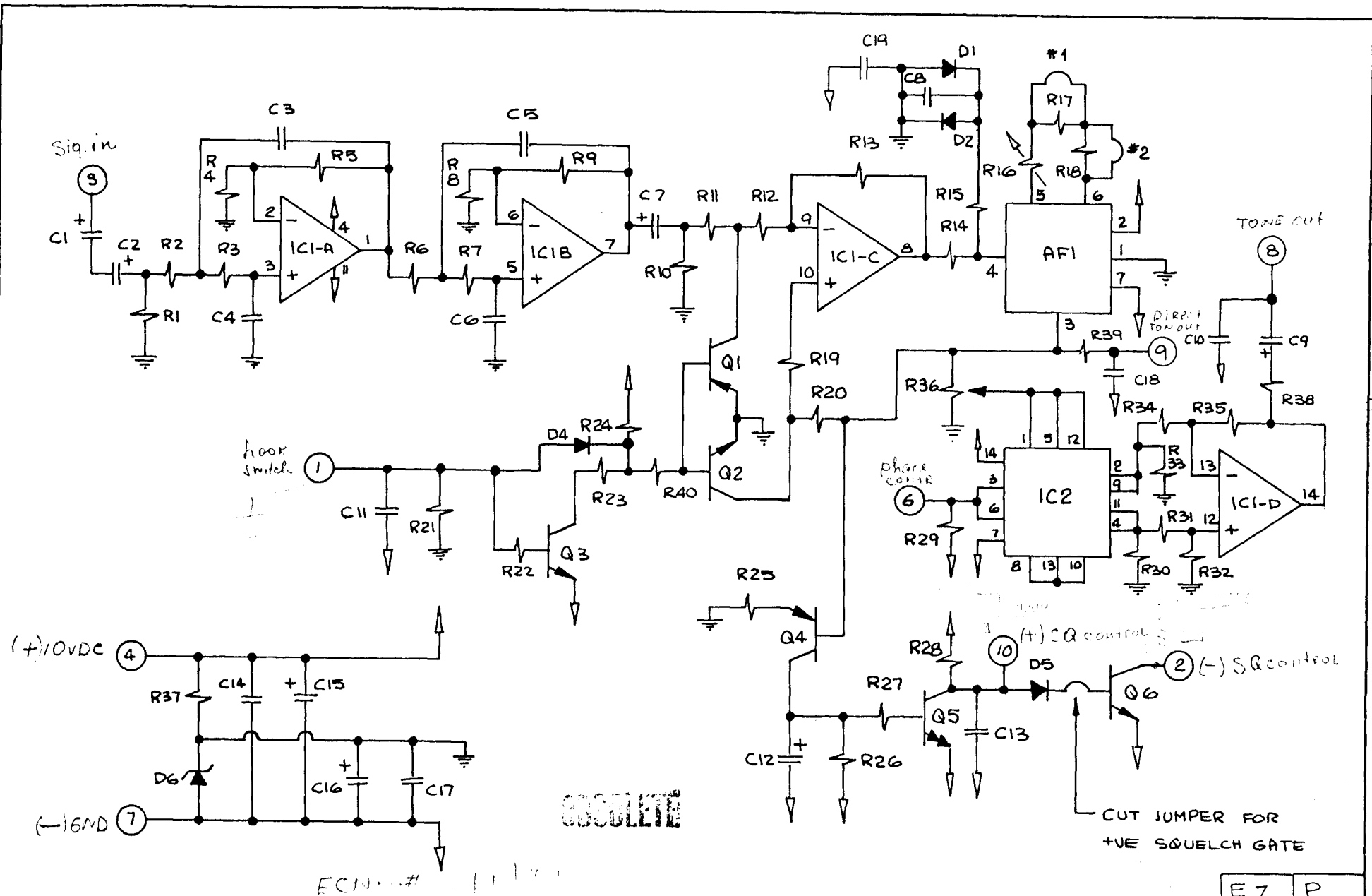
NOTE

1. ADD D4 (7.5V ZENER) IN PLACE OF WIRE JUMPER FOR +VE HOOK SWITCH MODE ONLY.

TITLE FT110-A2 TONE SQ. ASS'Y.	DRW. BY RSW	APPR.	FILE SP182	
	DATE 1.3.77	DATE	DWG. NO. 08	ISSUE 4
FERRITRONICS LIMITED		SCALE	SHT. OF	
		SHT. OF		

CHANGE

ISS.



OBSCLETE

ECN...# 11170

E7 P

D4 WAS 7.5V ZENER
ADDED C18, R38, R39, R40
R36 WENT TO NEGATIVE
GROUND. SEE ECO 52
DATE: 7.3.78 15.677

TITLE FT110-A2 TONE SQ.

DRW. BY RSW

APPR.

FILE

DATE 1.3.77

DATE

SP182

6



FERRITRONICS LIMITED

SCALE

DWG. NO.

ISSUE

—

02

SHT. 1 OF 2

Q2,3,6 WERE T1S90/82.1.13
Q1,4 WERE T1S91/RSW

7

CHANGE

ISS.

AF1 SP 102-1 ACTIVE FILTER

IC1 QUAD OP AMP

Q1 TRANSISTOR NPN T1S90
 Q2 " PNP T1S91
 Q3 " NPN T1S90
 Q4 " PNP T1S91
 Q5 " NPN T1S90
 Q6 " NPN T1S90

D1 DIODE SI 1N914
 D2 " SI 1N914
 D3 " SI 1N914
 D4 " ZENER 7.5V 1N755
 D5 " ZENER 5.1V 1N751
 D6 " SI 1N914


C1 CAPACITOR 10+10 ufd
 C2 " 3.3K pfd
 C3 " 3.3K "
 C4 " 3.3K "
 C5 " 3.3K "
 C6 " 10 ufd
 C7 " 1 K pfd
 C8 " 3.3 ufd
 C9 " 1 K pfd
 C10 " 1 K pfd
 C11 " 1 K pfd
 C12 " 3.3 ufd.

C13 CAPAC. 1 K pfd
 C14 " 1 K pfd
 C15 " 10 u fd
 C16 " 10 u fd
 C17 " 1 K pfd

R1 RESISTOR 51 K Ω
 R2 " 330K "
 R3 " 330K "
 R4 * " 10.0K "
 R5 * " 5.9 K "
 R6 " 200 K "
 R7 " 200K "
 R8 * " 10.0K "
 R9 * " 16.5K "
 R10 " 5.1 K "
 R11 " 5.1 K "
 R12 " 100 K "
 R13 " 1.5 M "
 R14 " 30 K "
 R15 " 1 K "
 R16 * POTENTIOM 20 K "
 R17 * RESISTOR 19.6K "
 R18 " 100 K "
 R19 " 150 K "
 R20 POTENTIOM 10 K "
 R21 RESISTOR 100 K "
 R22 " 100K "
 R23 " 30 K "

R24 RESISTOR 10 K Ω
 R25 " 10 K "
 R26 " 10 K "
 R27 " 510 Ω
 R28 " 20 K "
 R29 " 20 K "
 R30 " NOT USED
 R31 " 4.7 K "
 R32 " "
 R33 " 510 Ω

* 1% TOLERANCE

TITLE FT110-A TONE SQ. SCHEM & COMPONENT LIST.	DRW. BY RSW	APPR.	FILE SP182	
	DATE 2.6.75	DATE		
 FERRITRONICS LIMITED	SCALE —	DWG. NO. 02	ISSUE 3	
	SHT. 2 OF 2			

CHANGE

ISS.