

**FUSE PANELS
19C327027G1, G2, G4, G5, G8, G9, G10, G11, G14 & G15
AND
FILTER PANEL 19D423732G1**

TABLE OF CONTENTS

	<u>Page</u>
DESCRIPTION	Front Cover
ASSEMBLY DIAGRAMS:	
Fuse Panel	2
Filter Panel	18
SCHEMATIC DIAGRAMS:	
Fuse Panels	7
Filter Panel	19
PARTS LISTS:	
Fuse Panel	12
Fuse Kit	12
Filter Panel	20
INSTALLATION INSTRUCTIONS:	
Fuse Panel	13
Fuse Kit	17
Filter Panel	21

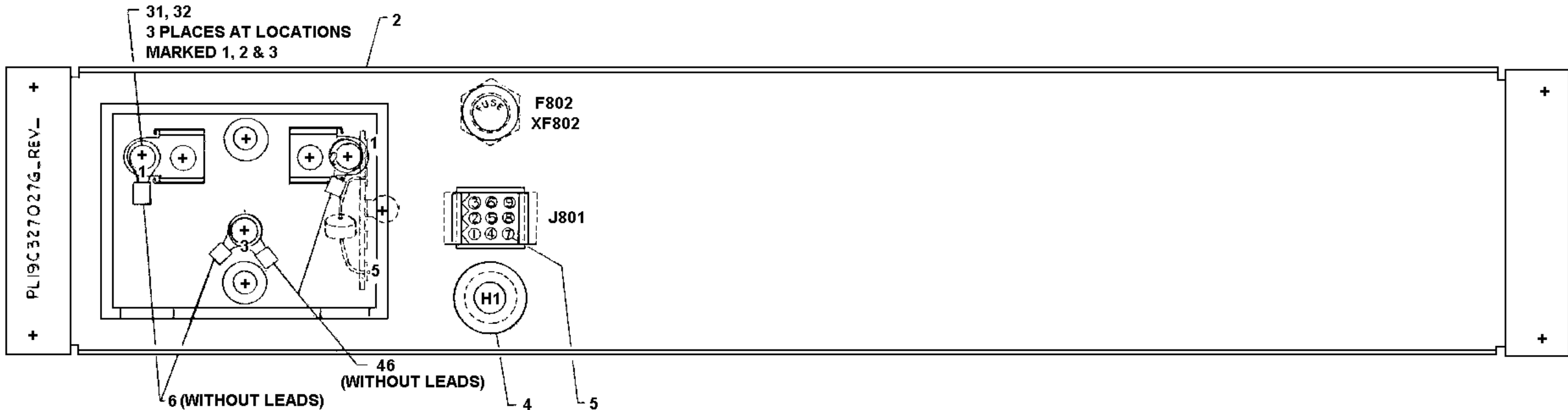
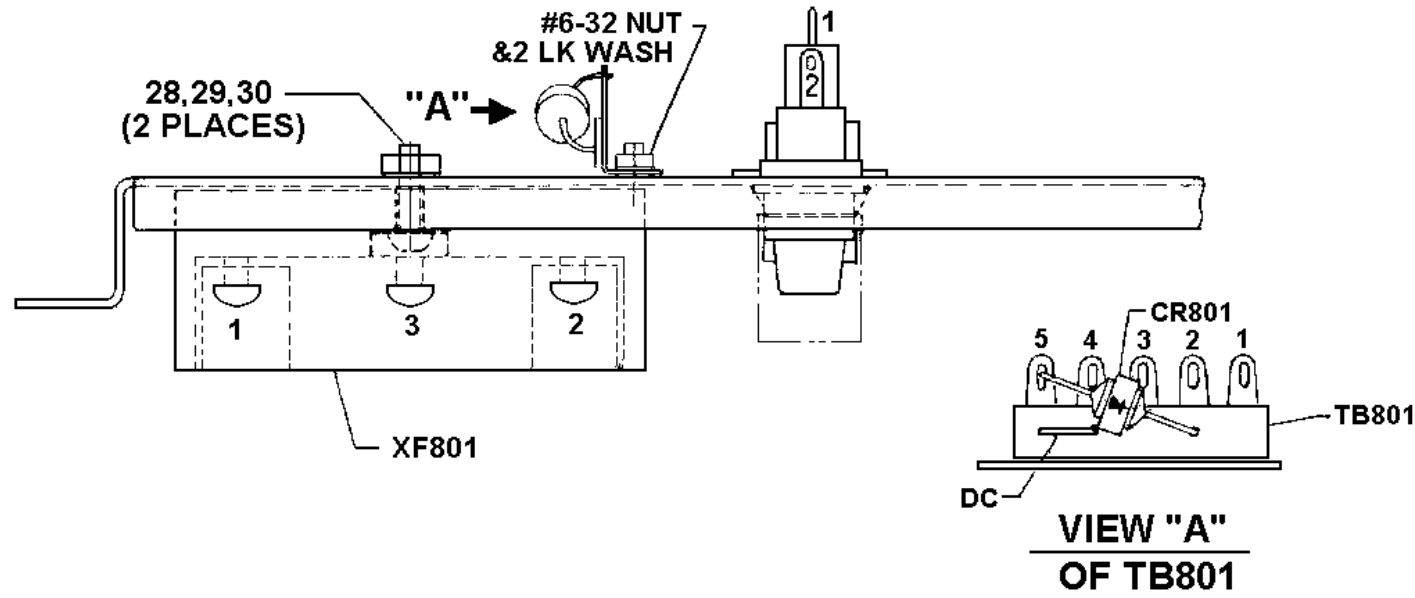
DESCRIPTION

The Fuse and Filter Panel Options listed in the following chart are required for operating a base station directly from a customer supplied 12 Vdc source.

NOTE

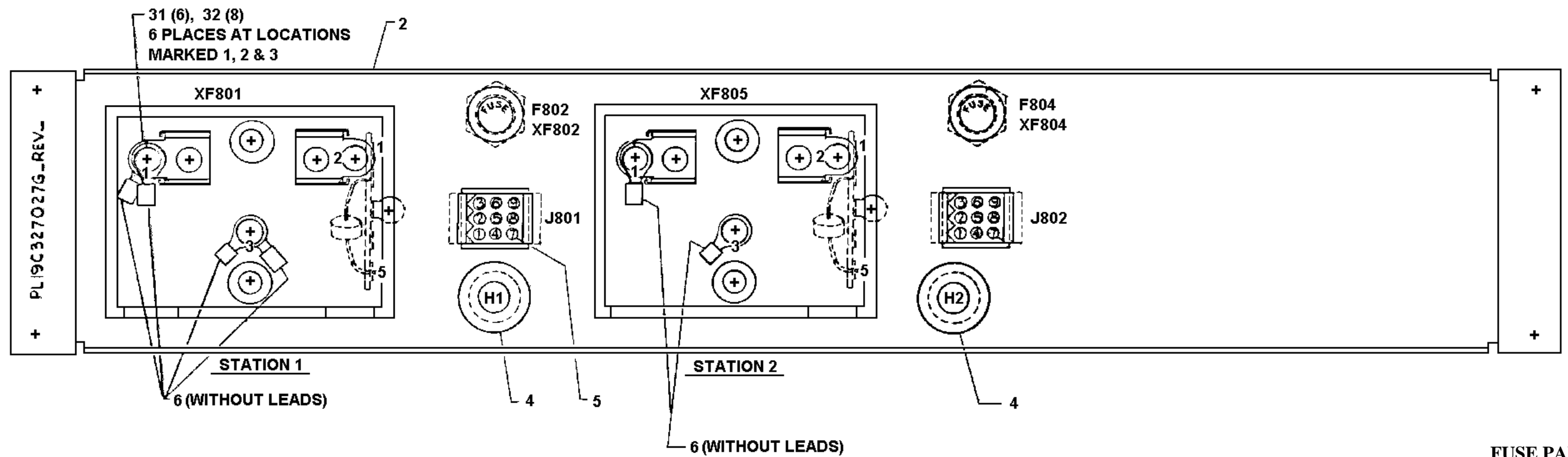
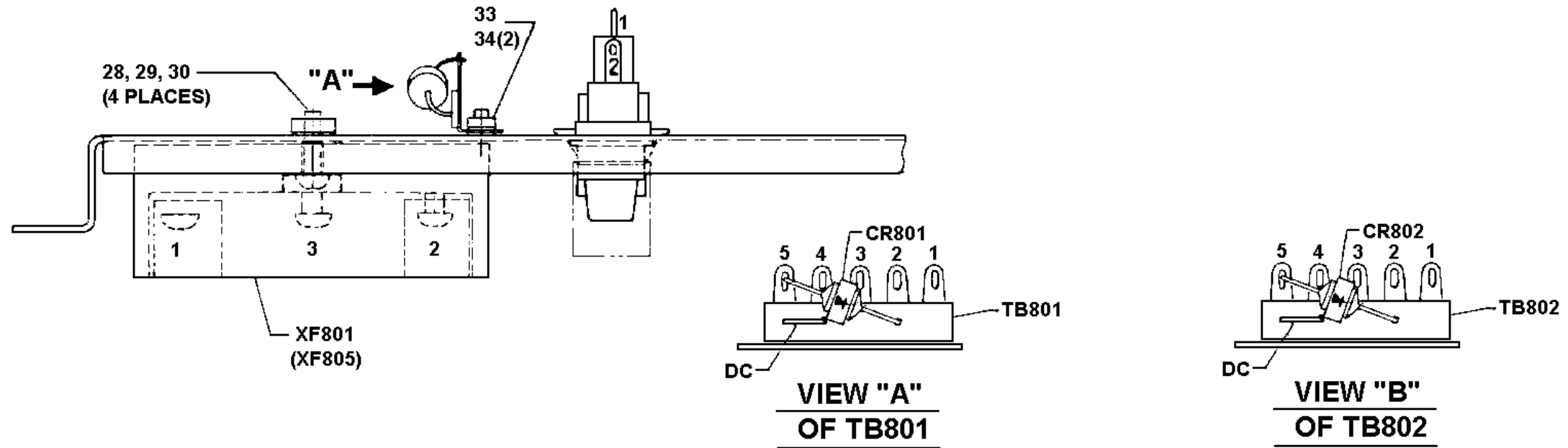
Some RF power output degradation may occur at high temperatures on continuous duty, outdoor cabinet stations operating on 12 Volt DC if no AC power is provided for the fan.

OPTION NUMBER	OPTION DESCRIPTION
B3PC S3PC S3PS04 S3PS05 9596	DC OPERATION for base stations combinations with transmit power 30-110 Watts. Useable only on a well-filtered, nominal 12 Vdc power source with ripple voltage less than 100 mW pp, at 120 Hz; and with VOLTAGE SPIKES NO GREATER THAN 18 VOLTS PEAK . If the source ripple voltage exceeds 100 mW pp and/or voltage spikes are more than 18.5 volts, use Option 9599. These options (B3PC, S3PC, S3PS04 and S3PS05) delete the normally furnished AC power supply and add a Fuse Panel which provides connections and RF decoupling for the incoming power leads (not furnished), separate fused cables for the transmitter and receiver and add a diode for reverse polarity protection. The panel is 2 rack units high and may be mounted on the back rails of the station cabinet behind the Radio/Control Assembly. Not applicable to 800 MHz Stations.
9661	Same as 9596.
9598	DC OPERATION adds a 19A136527G1 Fuse Kit for additional station (Options B3PC, S3PC, S3PS04, S3PS05, 9596 or 9597 required).
B3PD S3PD S3PS06 S3PS07 9599	DC OPERATION for medium power station. Similar to Options BEPC, S3PC, S3PSO4, S3PS05 or 9596 except with filters for use on a 12 Vdc source with spike voltages not exceeding 25 Volts.
9663	Same as 9599
9600	DC OPERATION for low power station. Similar to Option 9597 except with filters for use on a 12 Vdc source with spikes not exceeding 25 Volts.
9664	Same as 9600.

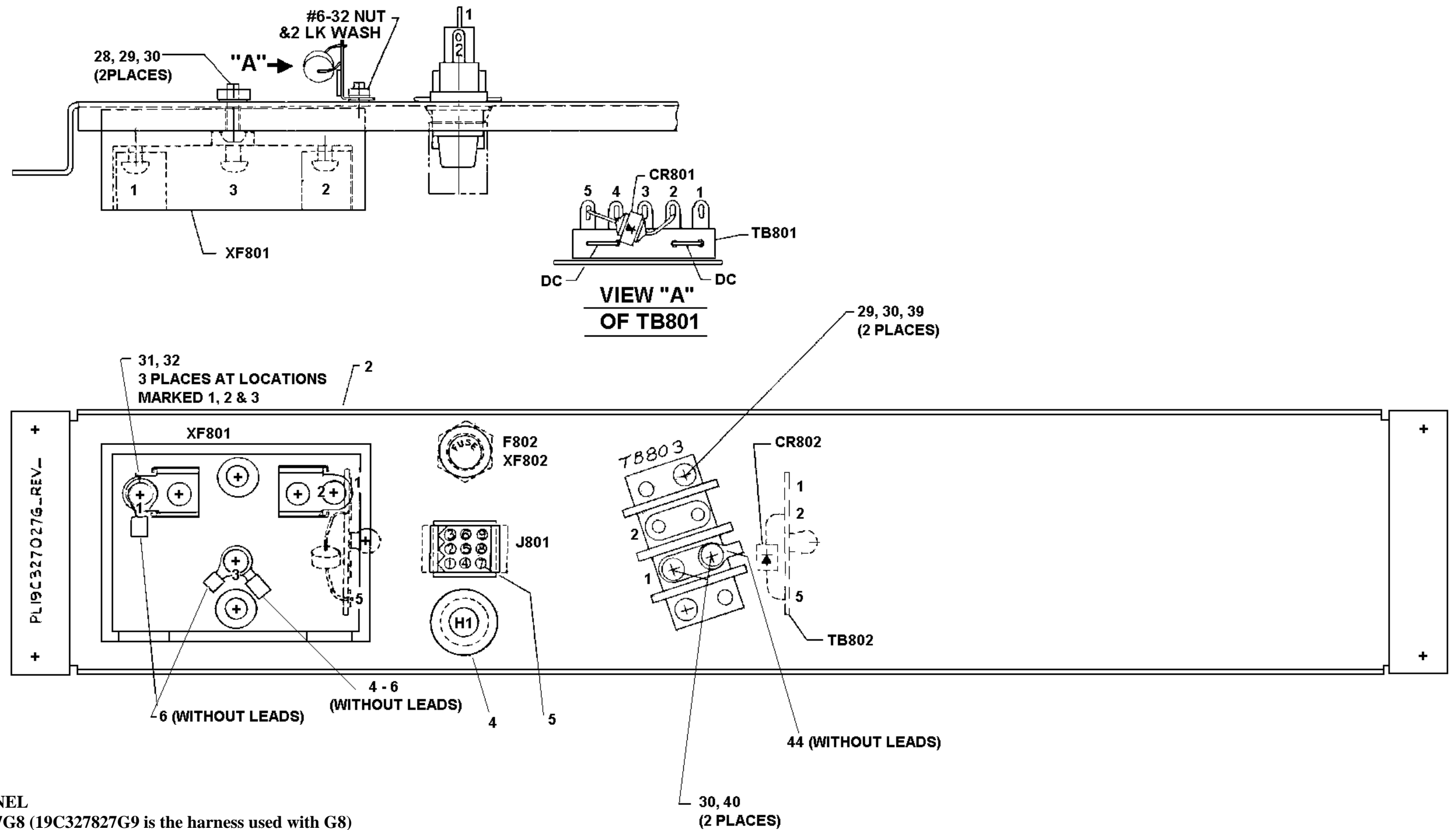


FUSE PANEL
19C327027G1 (19C327827G2 is the harness for groups 1 and 3)
DC POWER

(19C327027, Sh. 1, Rev. 3)

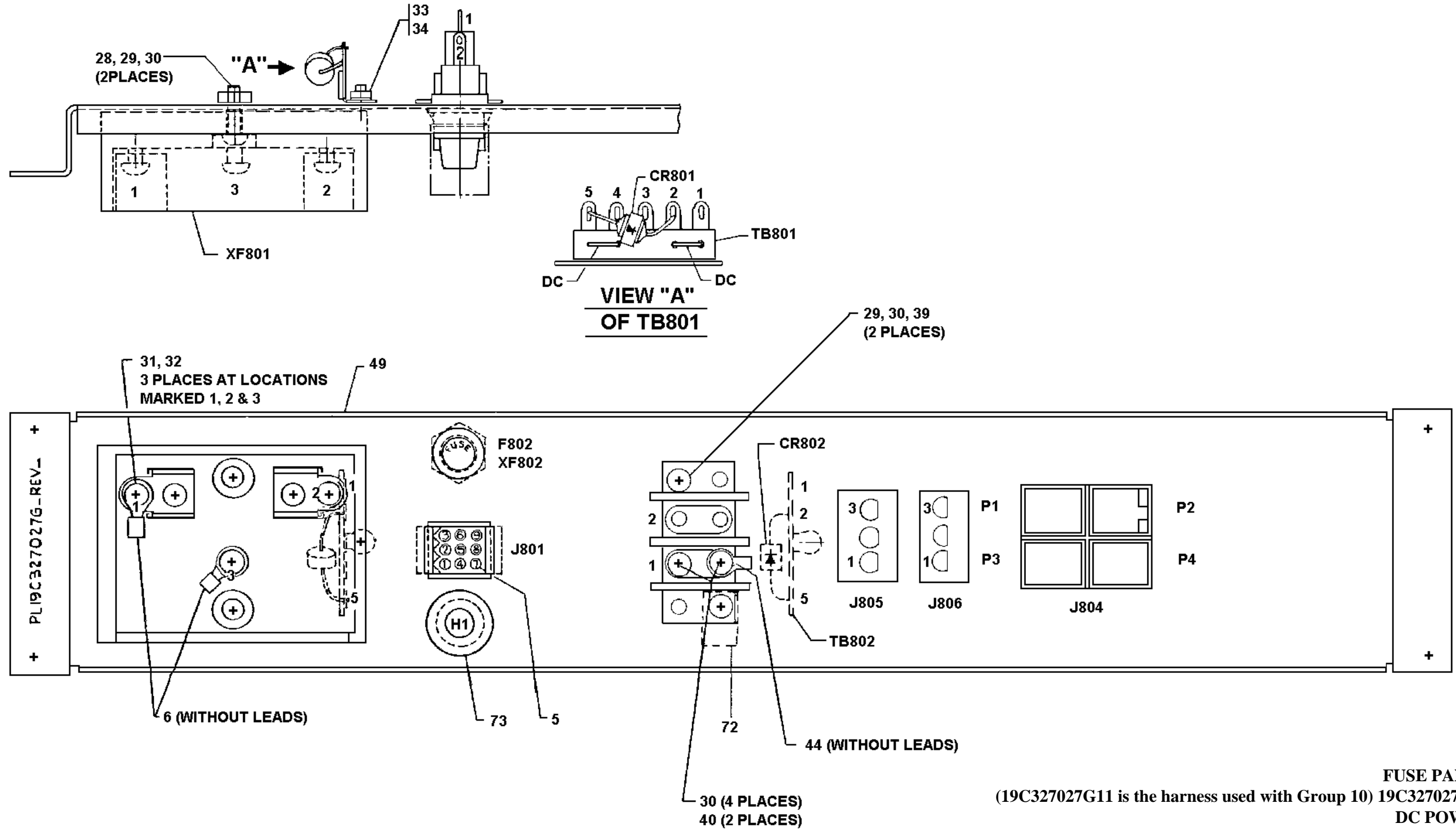


FUSE PANEL
19C32707G4 (19C327827G5 is the harness used with group 4)
DC POWER
DUAL STATION



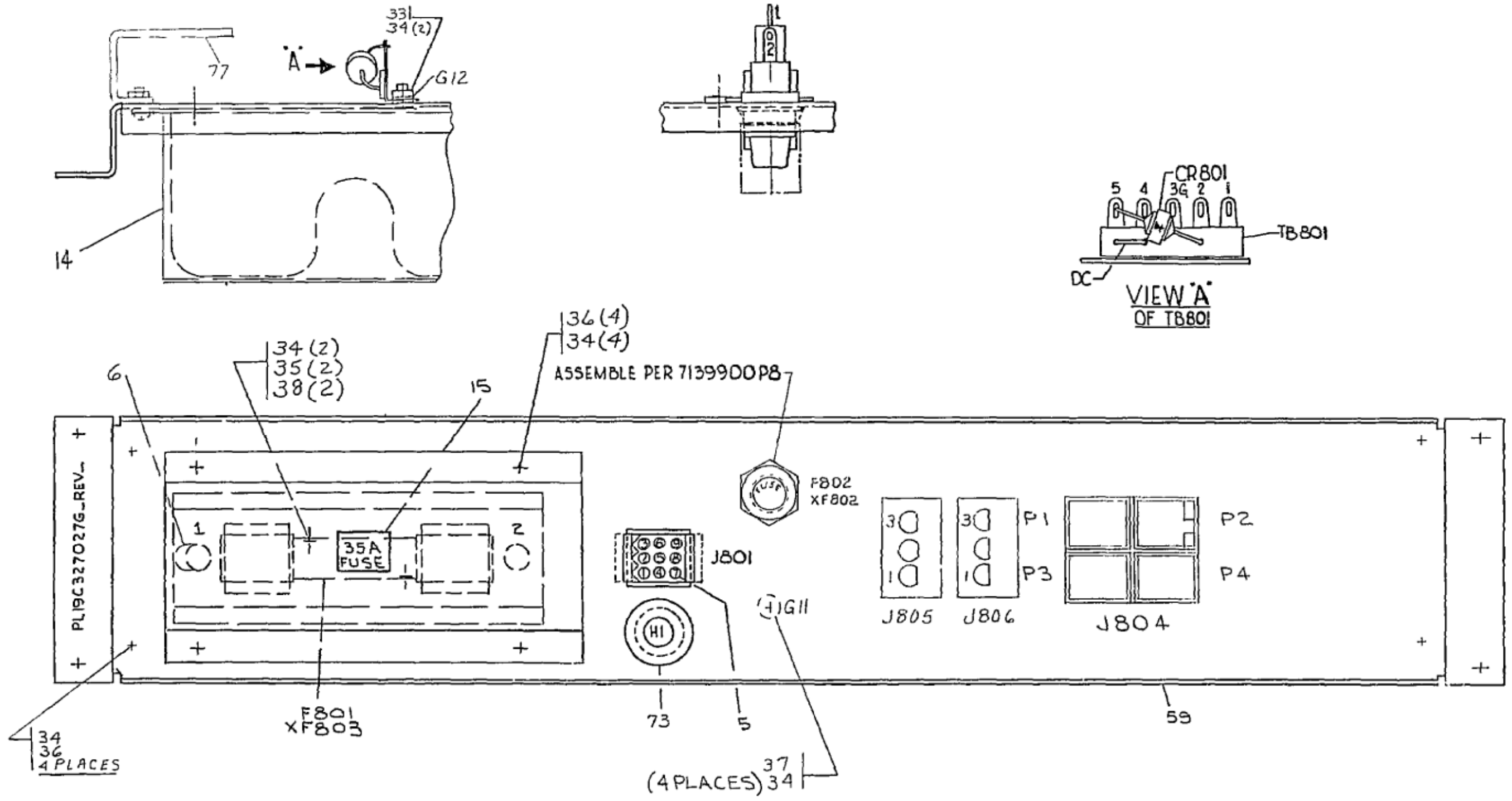
FUSE PANEL
19C327027G8 (19C327827G9 is the harness used with G8)
DC POWER
24/12 VOLTS

(19C327027, Sh. 5, Rev. 2)



FUSE PANEL
(19C327027G11 is the harness used with Group 10) 19C327027G10
DC POWER
24/12 VOLTS
(CONTINUOUS DUTY)

(19C327027, Sh. 6, Rev. 2)

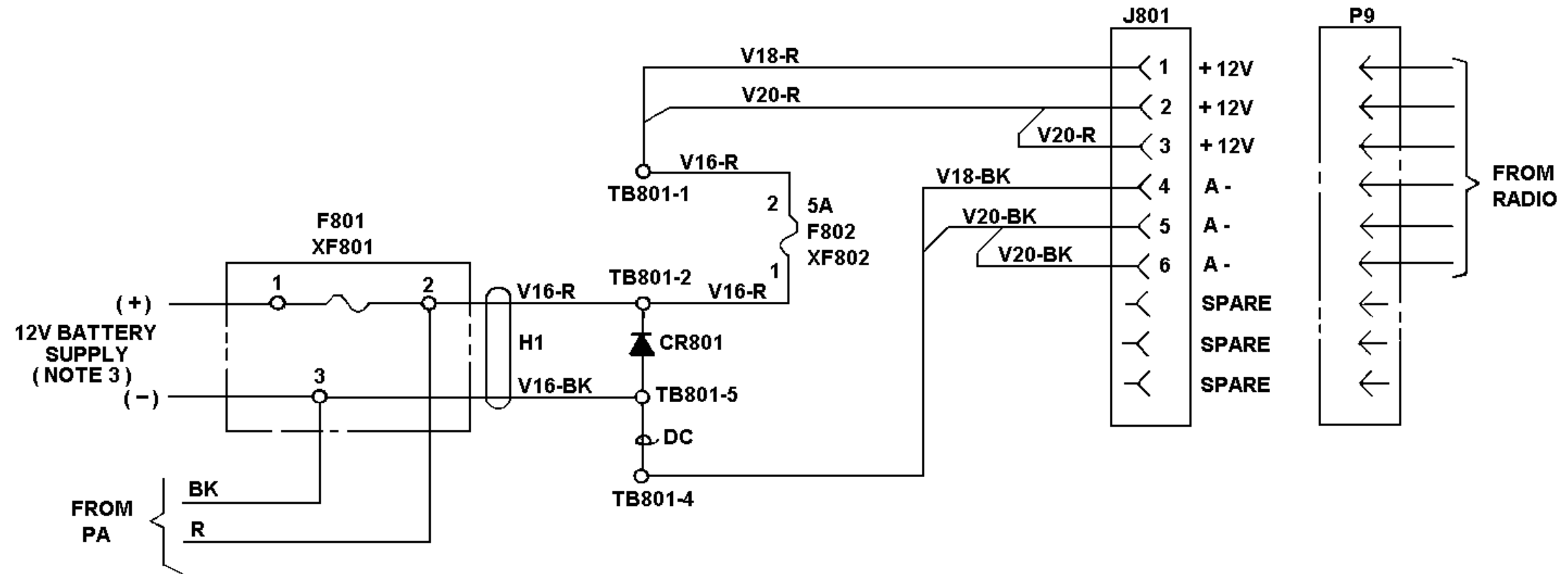


FUSE PANEL
 19C327027G14 (19C327027G15 is the harness used with Group 14)
HIGH POWER
SOLID STATE
(CONTINUOUS STATE)

(19C327027, Sh. 8, Rev. 3)

56 NOTES:
 1. SOLDER ALL ELECTRICAL CONNECTIONS.

57 HARNESS ASSY
 FOR GROUP 14



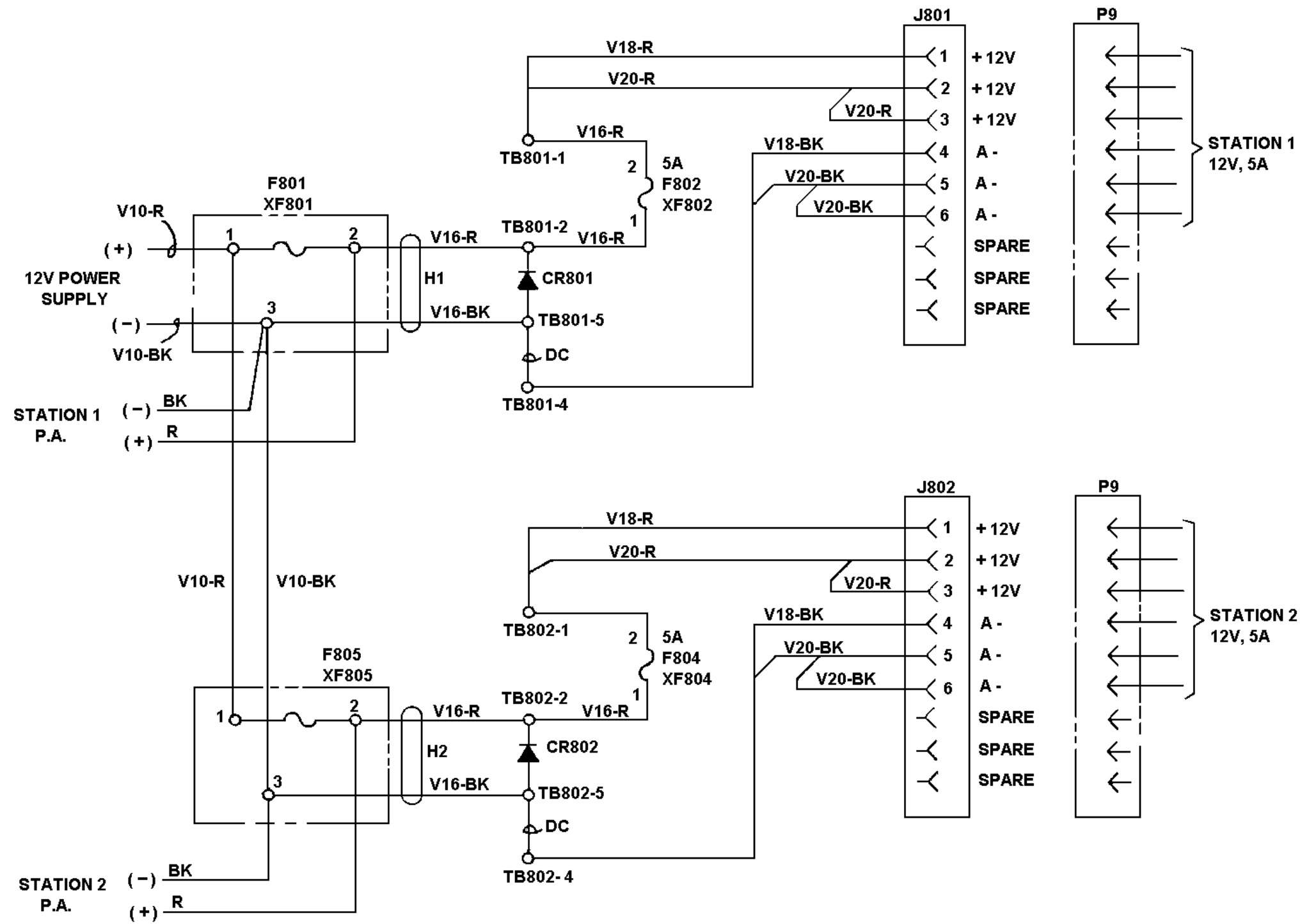
IN ORDER TO RETAIN RATED EQUIPMENT PERFORMANCE, REPLACEMENT OF ANY SERVICE PART SHOULD BE MADE ONLY WITH A COMPONENT HAVING THE SPECIFICATIONS SHOWN ON THE PARTS LIST FOR THAT PART.

BAND	POWER	FUSE
LOW	50 w	15 A
LOW	70 w	20 A
LOW	100 w	30 A
HIGH	35 w	15 A
HIGH	65 w	20 A
HIGH	110 w	30 A
450	20 w	10 A
450	40 w	15 A
450	75 w	20 A
450	100 w	30 A

MODEL NO.	REV. LETTER
PL19C327027G1	

FUSE PANEL
19C327027G1

(19C327029, Rev. 2)

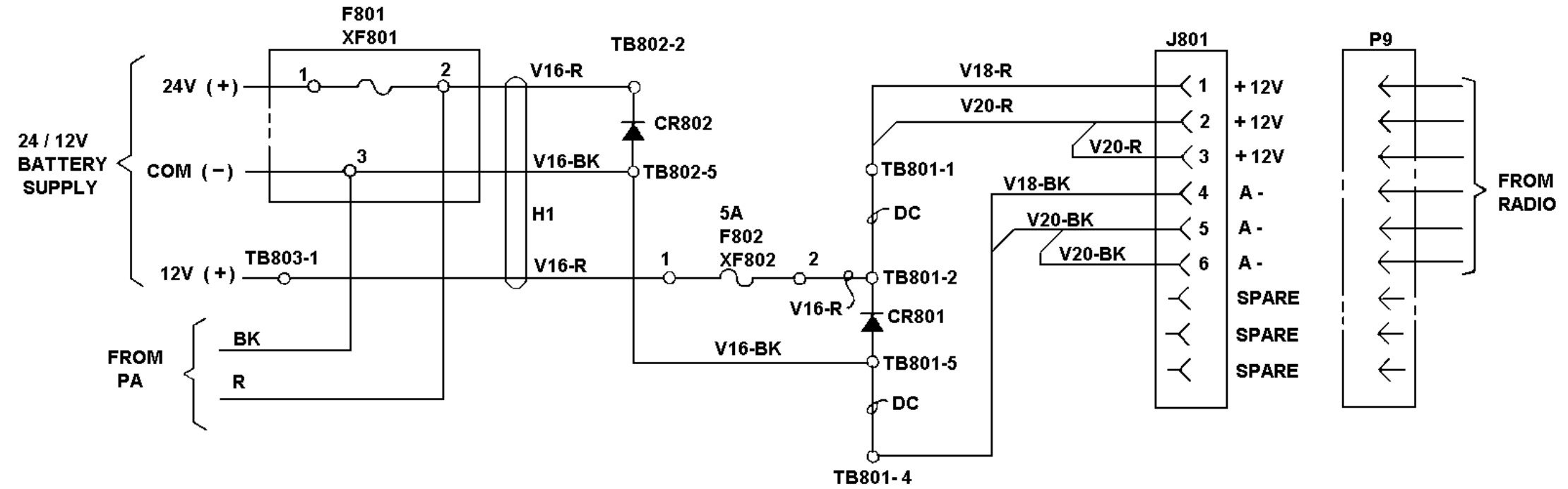


MODEL NO.	REV. LETTER
PL19C327027G4	

BAND	POWER	FUSE
LOW	50 w	15 A
LOW	70 w	20 A
LOW	100 w	30 A
HIGH	35 w	15 A
HIGH	65 w	20 A
HIGH	110 w	30 A
450	20 w	10 A
450	75 w	20 A
450	100 w	30 A
800	35 w	15 A
800	90 w	20 A

FUSE PANEL
19C327027G4
DC POWER
DUAL STATION

(19C331658, Rev. 0)

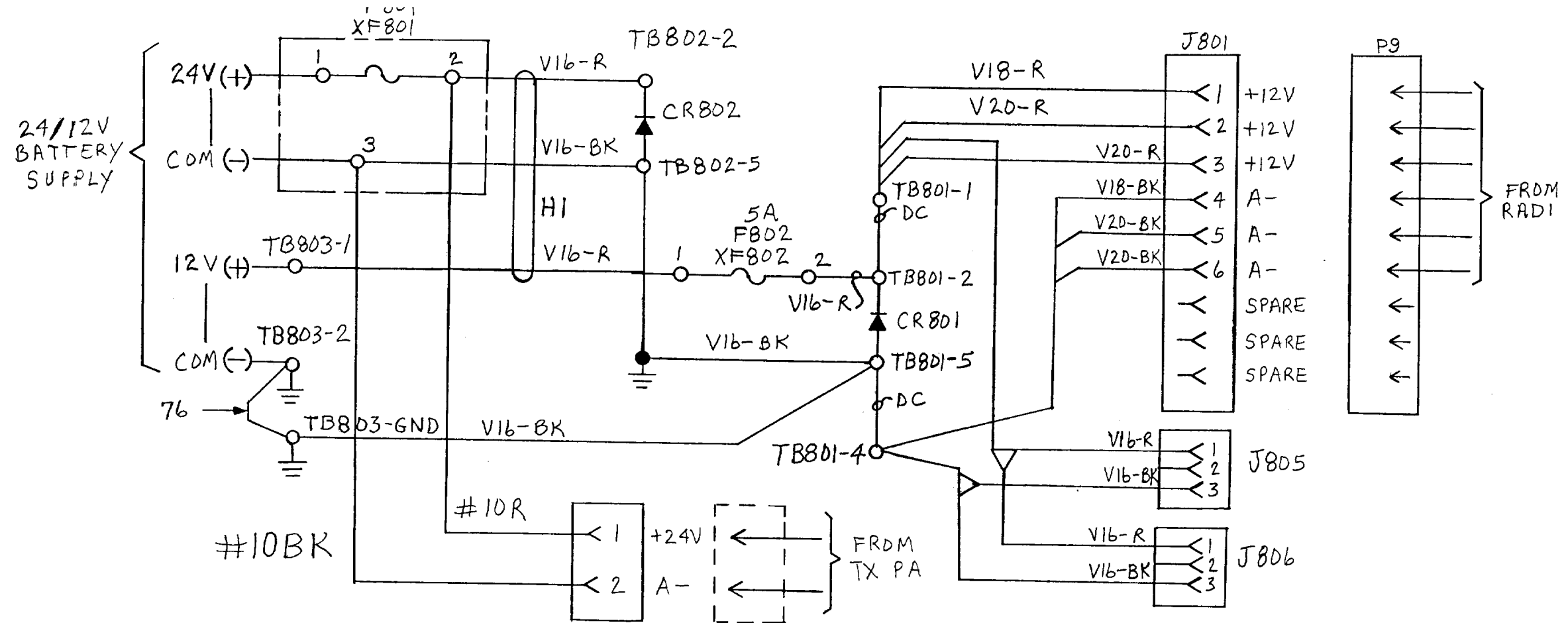


IN ORDER TO RETAIN RATED EQUIPMENT PERFORMANCE, REPLACEMENT OF ANY SERVICE PART SHOULD BE MADE ONLY WITH A COMPONENT HAVING THE SPECIFICATIONS SHOWN ON THE PARTS LIST FOR THAT PART.

MODEL NO.	REV. LETTER
PL19C327027G8	

FUSE PANEL
19C327027G8
DC POWER
DUAL STATION

(19C851989, Rev. 1)

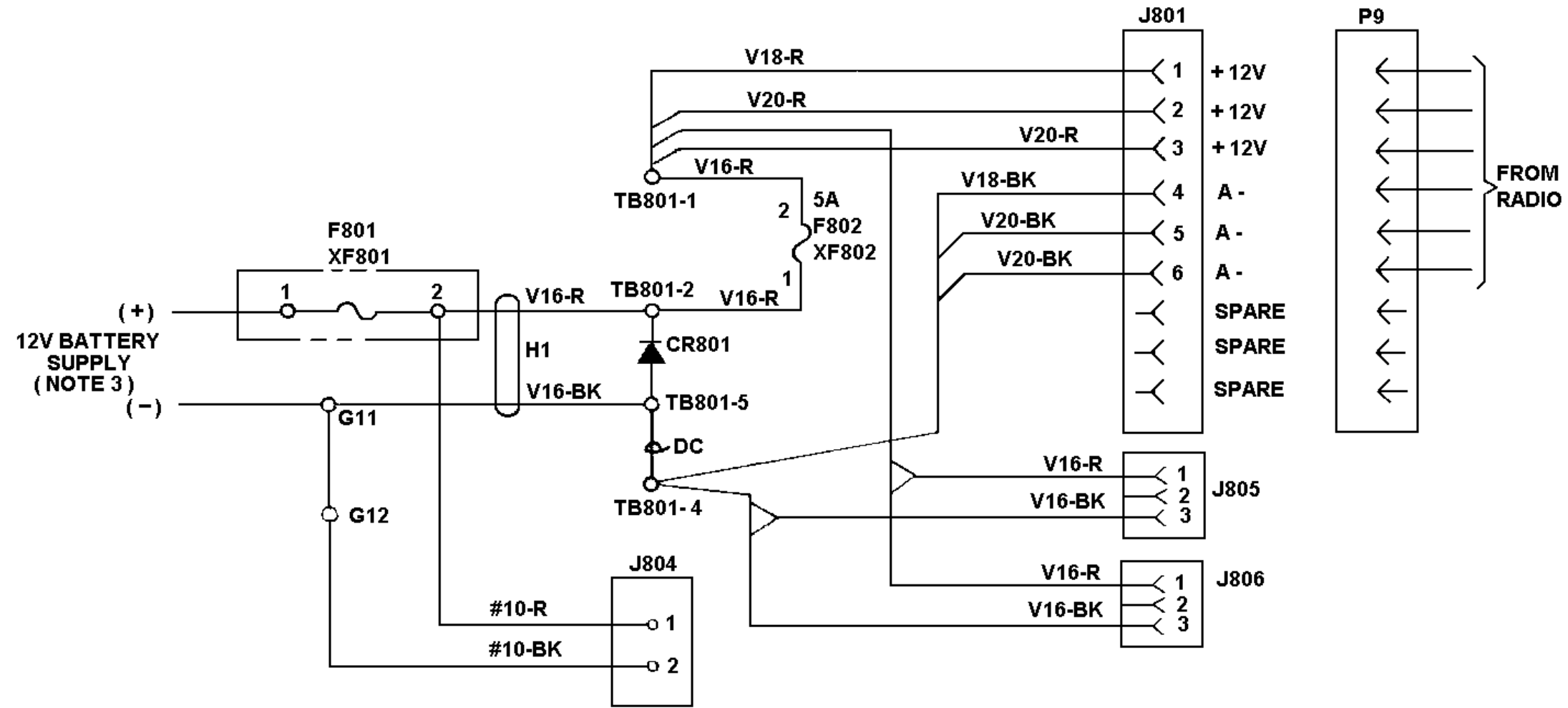


IN ORDER TO RETAIN RATED EQUIPMENT PERFORMANCE, REPLACEMENT OF ANY SERVICE PART SHOULD BE MADE ONLY WITH A COMPONENT HAVING THE SPECIFICATIONS SHOWN ON THE PARTS LIST FOR THAT PART.

FUSE PANEL
 19C327027G10
 DC POWER
 24/12 VOLTS
 (CONTINUOUS DUTY)

MODEL NO.	REV. LETTER
PL19C327027G10	B

(19C852257, Rev. 3)



FUSE APPLICATION CHART (F801)		
BAND	POWER	FUSE
HIGH	225W	35A
450	200W	35A

MODEL NO.	REV. LETTER
PL19C327027G14	A

FUSE PANEL
19C327027G14

(19C852259, Rev. 2)

FUSE PANEL AND HARNESS
19C327027G1, G2, G4, G8, G10, G11, G14 & G15
FOR
12 VDC MASTR II STATIONS
19C327027G1 - Panel, DC Power
19C327027G2 - Harness for G1
19C327027G4 - Panel, DC Power (Dual Station)
19C327027G5 - Harness for G4
19C327027G8 - Panel, High Power 24/12 Volts
19C327027G9 - Harness for G8
19C327027G10 - Panel, DC Power 24/12 Volts (Continuous Duty)
19C327027G11 - Harness for G10
19C327027G14 - Panel, High Power Solid State (Continuous Duty)
19C327027G15 - Harness for G14
Issue 2

SYMBOL	PART NUMBER	DESCRIPTION
----- DIODES -----		
CR801	19A116783P1	Rectifier, silicon: 100 VDC blocking, 6 amp; sim to MR751. (Used in G4, G5, G8, G9, G10 and G11).
CR802	19B216783P1	Rectifier, silicon: 100 VDC blocking, 6 amp; sim to MR751. (Used in G1, G2, G4, G5, G8, G9, G10, G11, G14 and G15).
----- FUSES -----		
F801	19B216021G9	TX FUSE. (Used in G10).
----- FUSES -----		
F4	1R11P5	Quick blowing: 20 amps, 250 v; sim to Bussmann NON20. (Used in G9).
----- MISCELLANEOUS -----		
3	19D413046P1	Cover. (Used in G9).
15	19A129753P4	Label (Used in G9).
F801		(Used in G1, G4 and G8)
F801	1R11P8	Quick blowing: 35 amps, 250 v; sim to Bussmann NON35. (Used in G14).
F802	1R16P8	Cartridge, quick blowing: 5 amps at 250v; sim to Littelfuse 312005 or Bussmann MTH-5. (Used in G1,
F804	1R16P8	Cartridge, quick blowing: 5 amps at 250 v; sim to Littelfuse 312005 or Bussmann MTH-5. (Used in G4).
F805		(Used in G4 and G6).
----- JACKS -----		
J801	19B209288P3	Shell.
J802	19B209288P3	Shell. (Used in G4 and G5).
J804	344A3804P2	Connector CAP, High Current (Used in G10, G11, G14 and G15).
J805	19B802523P1	Connector, MATE-N-L (Used in G10, G11, G14 and G15).
----- TERMINAL BOARDS -----		
TB801	7775500P11	Phen: 5 terminals.
TB802	7775500P11	Phen: 5 terminals. (Used in G4, G5, G8, G9, G10 and G11).

* COMPONENTS, ADDED, DELETED OR CHANGED BY PRODUCTION CHANGES

SYMBOL	PART NUMBER	DESCRIPTION
TB803	19C301087P46	Two terminals rated 30 amp at 25 VRMS; sim to GE CR151D35102AB. (Used in G8 and G10).
----- FUSE SOCKETS -----		
XF801	19B216021G7	Fuseholder. (Used in G1, G4, G8 and G10)
XF802	19B209005P1	Fuseholder: 15 amps at 250 v; sim to Littelfuse 342012. (Used in G1, G4, G8, G10, and G14).
XF803	19A134675P1	Fuseholder: rated 31 to 60 amps at 250 v; sim to Bussmann 1B0013. (Used in G14).
XF804	19B209005P1	Fuseholder: 15 amps at 250 v; sim to Littelfuse 342012. (Used in G4).
XF805	19B216021G7	Fuseholder. (Used in G4).
----- MISCELLANEOUS -----		
2	19B227298G1	Chassis, (Used in G1, G4 and G8).
3	19C327027G2	Panel, FZ (Used in G1).
4	5490407P8	Grommet, rubber. (Used in G1, G4 and G8).
5	19B209288P1	Contact, female: 14-20 AWG; sim to Molex 02-09-1101.
6	19A115799P17	Terminal, solderless: sim to AMP 33460. (Used in G1, G2, G4, G5, G8, G9, G10, G14, and G15).
7	19B209260P13	Terminal, solderless (Used in G1, G2, G4, G5, G8, G9, G10, G11, G14 and G15).
14	19B233114P1	Cover, (Used in G3 and G14).
15	19A129753P6	Label, (Used in G3 and G14).
19	19C327027G5	Harness, (Used in G4).
28	N80P15010B6	screw, Machine (Used in G1, G4, G8 and G10).
29	N210P15B6	Nut, hex: No. 8-32. (Used in G1, G4, G8 and G10).
30	N403P16B6	Lockwasher, internal tooth: No. 8. (Used in G1, G4, G6, G8, and G10).
31	N80P16007B6	Screw, machine: pan head: No. 6-40 X 3/8. (Used in G1, G4, G8 and G10).
32	N403P19B6	Lockwasher: No. 10 (Used in G1, G4, G6, G8 and G10).
33	7141225P3	Hex Nut: No. 6-32 (Used in G1, G4, G8, G10 and G14).
34	N404P13B6	Lockwasher, internal tooth: No. 6 (Used in G1, G4, G8, G10 and G14).
35	N80P13008B6	Screw, machine: panhead: No. 6-32 x 1/2 (Used in G14).
36	N80P13004B6	Screw, machine: Pan head; No. 6-32 x 1/4" (Used in G14).
37	N80P13006B6	Screw, machine: Pan head, Phillips; No. 8-32 x 3/8" (Used in G14).
38	N402P7B6	Flatwasher, narrow: No. 6 (Used in G14).
39	N80P15016B6	Screw, machine: panhead: No. 8-32 x 1. (Used in G8 and G10).
40	N80P15005B6	Screw, machine (Used in G8 and G10).
43	19C327027G9	Panel, FZ (Used in G8).
44	19B209260P13	Terminal, solderless (Used in G8 and G10).
46	19B209260P11	Terminal, solderless (Used in G1 and G8).
47	344A3805P1	Contact (Used in G10, G11, G14 and G15).

SYMBOL	PART NUMBER	DESCRIPTION
48	19B209260P11	Terminal, solderless (Used in G10, G11, G14 and G15).
49	19B227298G3	Chassis, (Used in G10).
59	19B227298G4	Chassis, (Used in G14).
60	19C327027G11	Panel, FZ (Used in G10).
62	19C327027G15	Panel, FZ (Used in G14).
63	19A115959P2	Wire, stranded (Used in G10, G11, G14 and G15).
64	19A115959P10	Wire, stranded (Used in G10, G11, G14 and G15).
65	19A116850P2	Wire (Used in G10, G11, G14 and G15).
66	19A116850P10	Wire, stranded (Used in G10, G11, G14 and G15).
67	19A116889P2	Wire, stranded (Used in G10, G11, G14 and G15).
68	19A116889P10	Wire, stranded (Used in G10, G11, G14 and G15).
69	19A116888P2	Wire, stranded (Used in G10, G11, G14 and G15).
70	19A116888P10	Wire, stranded (Used in G10, G11, G14 and G15).
71	19B802523P80	Connector (Used in G10, G11, G14 and G15).
72	19A701863P19	Loop clamp: sim to Weckesser 3/8-6. (Used in G10).
73	5490407P11	Grommet. (Used in G10 and G14).
74	19J706152P5	Retainer strap: sim to Panduit Corp. SST-1 (Used in G14).
75	19A115060P14	Wire, solid (Used in G10, G11, G14 and G15).

PRODUCTION CHANGES

Changes in the equipment to improve performance or to simplify circuits are identified by a "Revision Letter" which is stamped after the model number of the unit. The revision stamped on the unit includes all previous revisions. Refer to the Parts List for the descriptions of parts affected by these revisions.

REV. A - FUSE PANELS 19C327027G10 and G14

To add two connectors to DC fuse panels to provide power to PA and cabinet fans for DC station applications. Added connectors J805 and J806 (19B802523P1) to fuse panel harness assemblies 19C327027G11 and G15.

REV. B - FUSE PANEL 19C327027G10

To improve ground connection¹. Added ground wire (V16-BK) between TB803-GND and TB801-5.

REV. 3A - FUSE PANEL 19C327027G10

REV. 2A - FUSE PANEL 19C327027G14

Obsolete Fuseholder. Changed Item 6 from 19A115799P1 to 19A115799P17².

¹ Reference AN20738
² Reference ECO20014370

Fuse Kit
19A136527G1
Issue 3

SYMBOL	PART NUMBER	DESCRIPTION
----- FUSES -----		
F801	IR11P3	Quick blowing: 10 amps, 250 V; sim to Bussmann N0N10.
	IR11P4	Quick blowing: 15 amps, 250 V; sim to Bussmann N0N15.
	IR11P5	Quick blowing: 20 amps, 250 V; sim to Bussmann N0N20.
	IR11P6	Quick blowing: 25 amps, 250 V; sim to Bussmann N0N25.
	IR11P7	Quick blowing: 30 amps, 250 V; sim to Bussmann N0N30.
	IR11P8	Quick blowing: 35 amps, 250 V; sim to Bussmann N0N35.
F802	IR16P8	Quick Blowing: 5 amps, 250B: sim to Littelfuse 312005 or Bussmann MTH-5.
----- SOCKETS -----		
XF801	19B216021G7	Fuseholder.
XF802	19B209005P1	Fuseholder: 15 amps at 250 v; sim to Littelfuse 342012.
HARNESS ASSEMBLY 19C327027G2		
----- MISCELLANEOUS -----		
5	5490407P8	Grommet, rubber.
6	19A115799P1	Terminal, solderless: sim to AMP 33460.
7	N80P15010B6	Screw, machine
8	N210P15B6	Nut, hex: No. 8-32.
9	N403P16B6	Lockwasher, internal tooth: No. 8.
10	7141225P3	Hex Nut: No. 6-32.
11	N404P13B6	Lockwasher, internal tooth: No. 6.
12	N80P16007B6	Machine screw, pan head: No. 6-40 X 3/8.
13	N403P19B6	Lockwasher: No. 10.

* COMPONENTS, ADDED, DELETED OR CHANGED BY PRODUCTION CHANGES

① THESE INSTRUCTIONS COVER THE INSTALLATION OF PL19C327027G1 FUSE PANEL IN THE 30" AND 44" DESK MATE CABINET AND THE OUTDOOR CABINET.

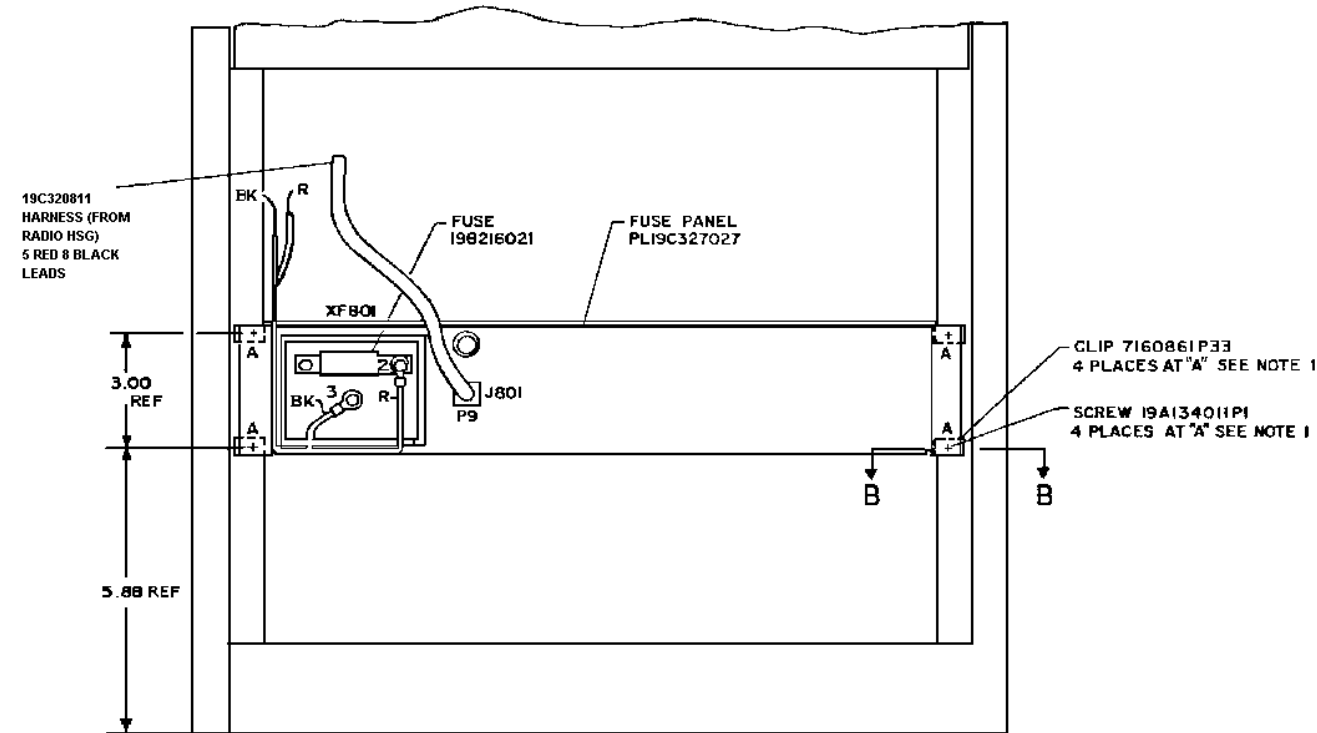
NOTE:

1. HARDWARE USED IN THE FOLLOWING INSTRUCTION IS ON KIT PL19A130031G4.

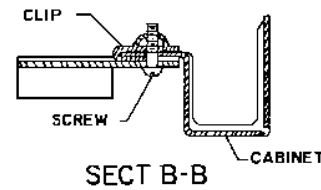
INSTRUCTION:

1. INSTALL FUSE PANEL AS SHOWN BELOW.
2. IF THE P.A. LEADS ARE ALREADY TERMINATED WITH SOLDERLESS CONNECTORS, 19B209260PH, (AS SHOWN BELOW), THEN REMOVE AND DISCARD THE TWO SPARE 19B209260H11, TERMINALS PROVIDED AT XF801-2 AND SF801-3, AND HOOK UP P.A. LEADS.

3. IF THE P.A. LEADS ARE TERMINATED WITH HERMAPHRODITIC CONTACTS, 344A3805P1, INSTALLED IN CONNECTOR HOUSING, 344A3804P1, THEN REMOVE CONTACTS FROM HOUSING TO STOCK. IF A FACTORY INSTALLED OPTION, REMOVE AND DISCARD CONTACTS, 344A3805P1, AND TERMINATE P.A. LEADS WITH ALREADY PROVIDED TERMINALS, 19B209260P11, AT XF801-2 AND XF801-3.



REAR VIEW
30" AND 44" DESK MATE
ALSO OUTDOOR CABINET



② THESE INSTRUCTIONS COVER THE INSTALLATION OF PL19C327027G1 FUSE PANEL IN THE VH CABINET.

NOTE:

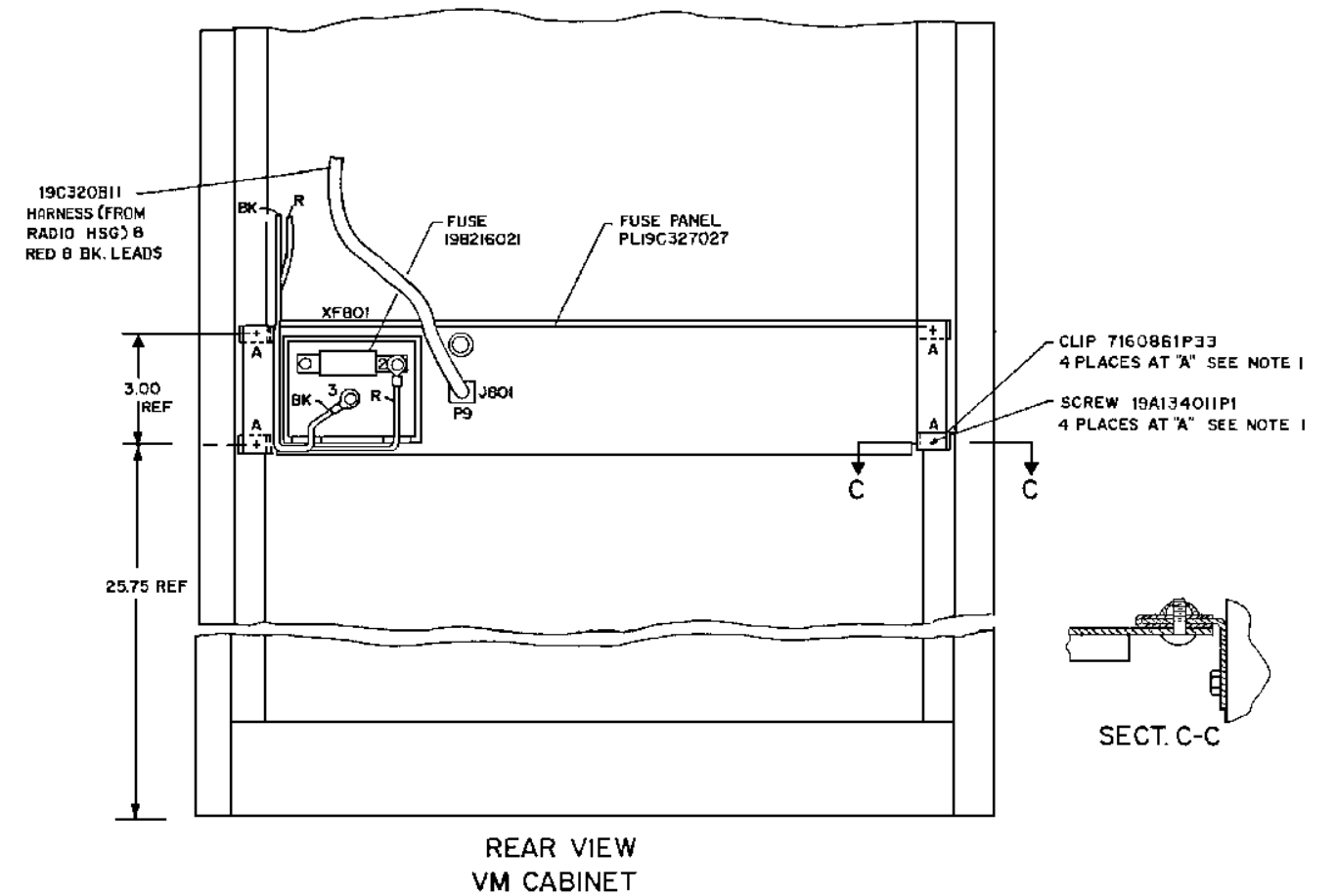
1. HARDWARE USED IN THE FOLLOWING INSTRUCTION IS ON KIT PL19A130031G4.

INSTRUCTION:

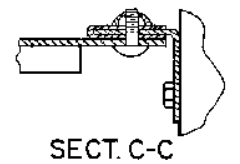
1. INSTALL FUSE PANEL AS SHOWN BELOW.

2. IF THE P.A. LEADS ARE ALREADY TERMINATED WITH SOLDERLESS CONNECTORS, 19B209260P11, (AS SHOWN BELOW), THEN REMOVE AND DISCARD THE TWO SPARE, 19B209260P11, TERMINALS PROVIDED AT XF801-2 AND XF801-3, AND HOOK UP P.A. LEADS.

3. IF THE P.A. LEADS ARE TERMINATED WITH HERMAPHRODITIC CONTACTS, 344A3805P1, INSTALLED IN CONNECTOR HOUSING, 344A3804P1, THEN REMOVE 344A3804P1, HOUSING TO STOCK IF A FACTORY INSTALLED OPTION, REMOVE AND DISCARD CONTACTS, 344A3805P1, AND TERMINATE P.A. LEADS WITH ALREADY PROVIDED TERMINALS, 19B209260P11, AT F801-2 AND F801-3.



REAR VIEW
VM CABINET



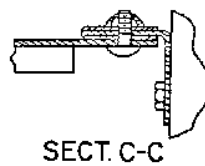
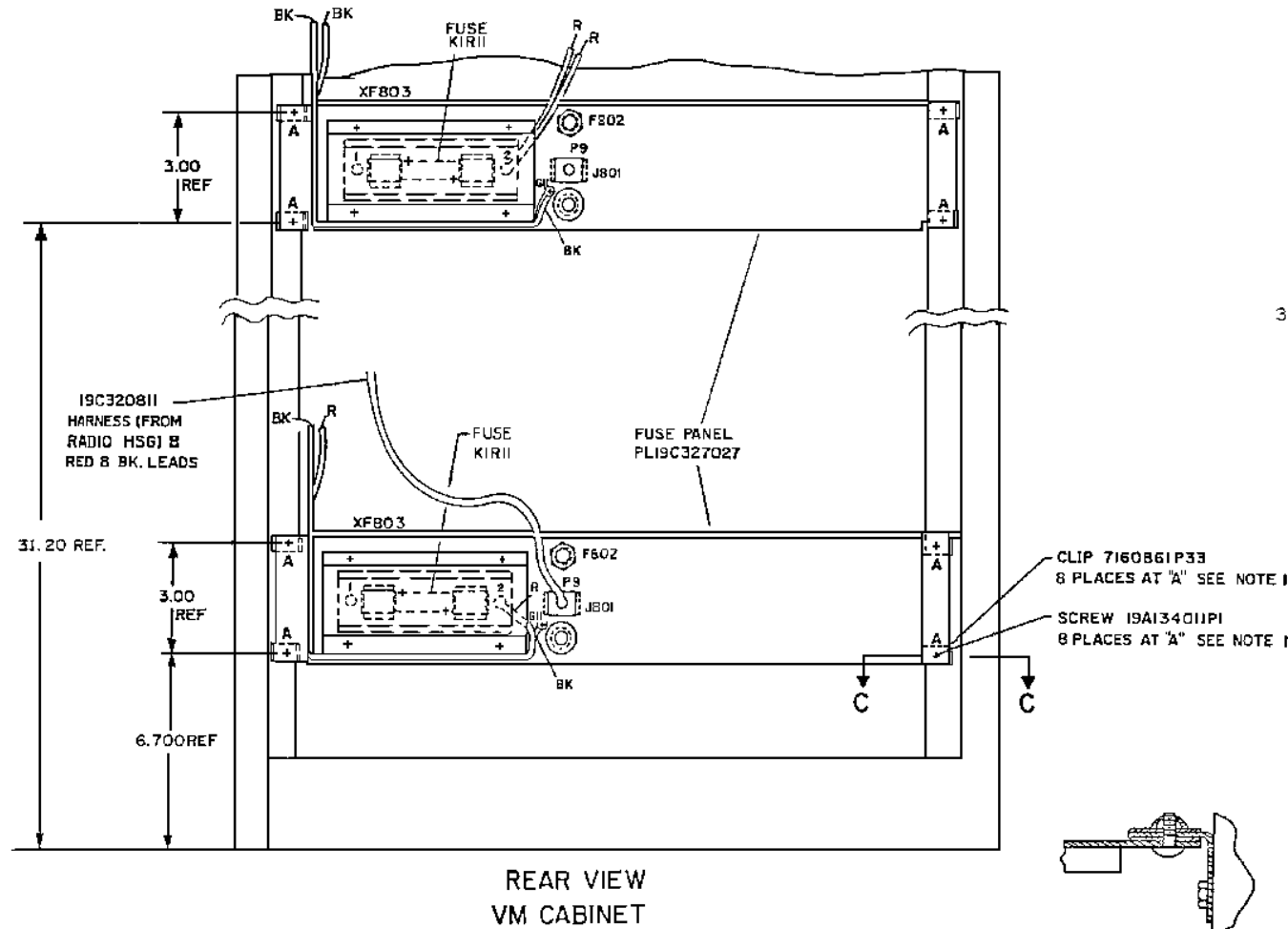
FUSE PANEL
19C327027G1

(19D423925, Sh. 1, Rev. 5)

3 THESE INSTRUCTIONS COVER THE INSTALLATION OF PL19C327027G3 FUSE PANEL IN THE VM CABINET.

NOTE:
1. HARDWARE USED IN THE FOLLOWING INSTRUCTION IS ON KIT PL19A130031G4.

INSTRUCTION:
1. INSTALL FUSE PANEL AS SHOWN BELOW.



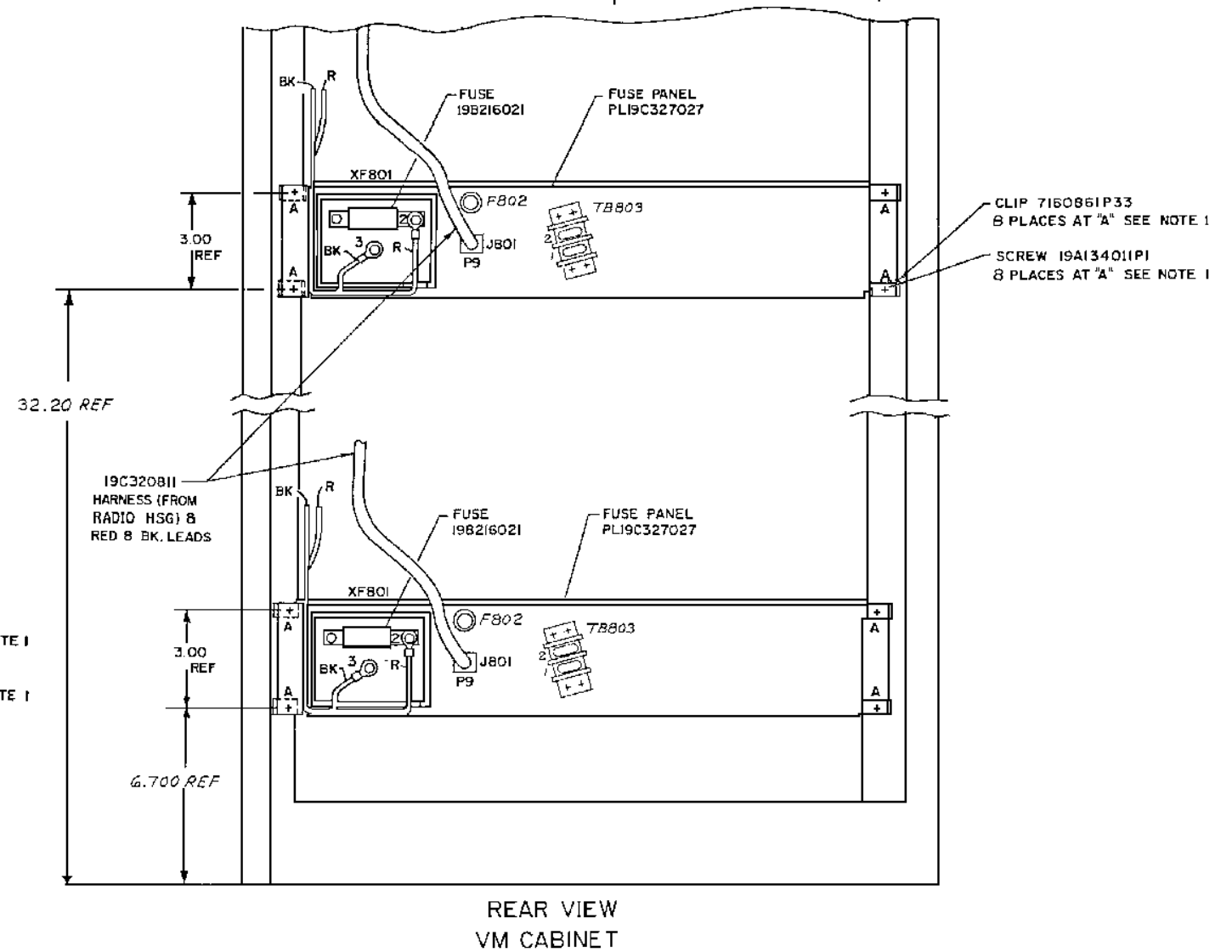
6 THESE INSTRUCTIONS COVER THE INSTALLATION OF PL19C327027G8 FUSE PANEL IN THE VM CABINET.

NOTE:
1. HARDWARE USED IN THE FOLLOWING INSTRUCTION IS ON KIT PL19A130031G35, 36, 37, OR ON PL19A149537G2.

INSTRUCTION:
1. INSTALL FUSE PANEL AS SHOWN BELOW.

2. IF THE P. A. LEADS ARE ALREADY TERMINATED WITH SOLDERLESS CONNECTORS, 19B209260P11, (AS SHOWN BELOW), THEN REMOVE AND DISCARD THE TWO SPARE, 19B209260P11, TERMINALS PROVIDED AT XF801-2 AND XF801-3, AND HOOK UP P.A. LEADS.

3. IF THE P. A. LEADS ARE TERMINATED WITH HERMAPHRODITIC CONTACTS, 344A3805P1, INSTALLED CONNECTOR HOUSING, 344A3804P1, THEN REMOVE CONTACTS FROM HOUSING. RETURN, 344A3804P1, HOUSING TO STOCK. IF A FACTORY INSTALLED OPTION, REMOVE AND DISCARD CONTACTS, 344A3805P1, AND TERMINATE P. A. LEADS WITH ALREADY PROVIDED TERMINALS. 19B209260P11 AT XF801-2 AND XF801-3.



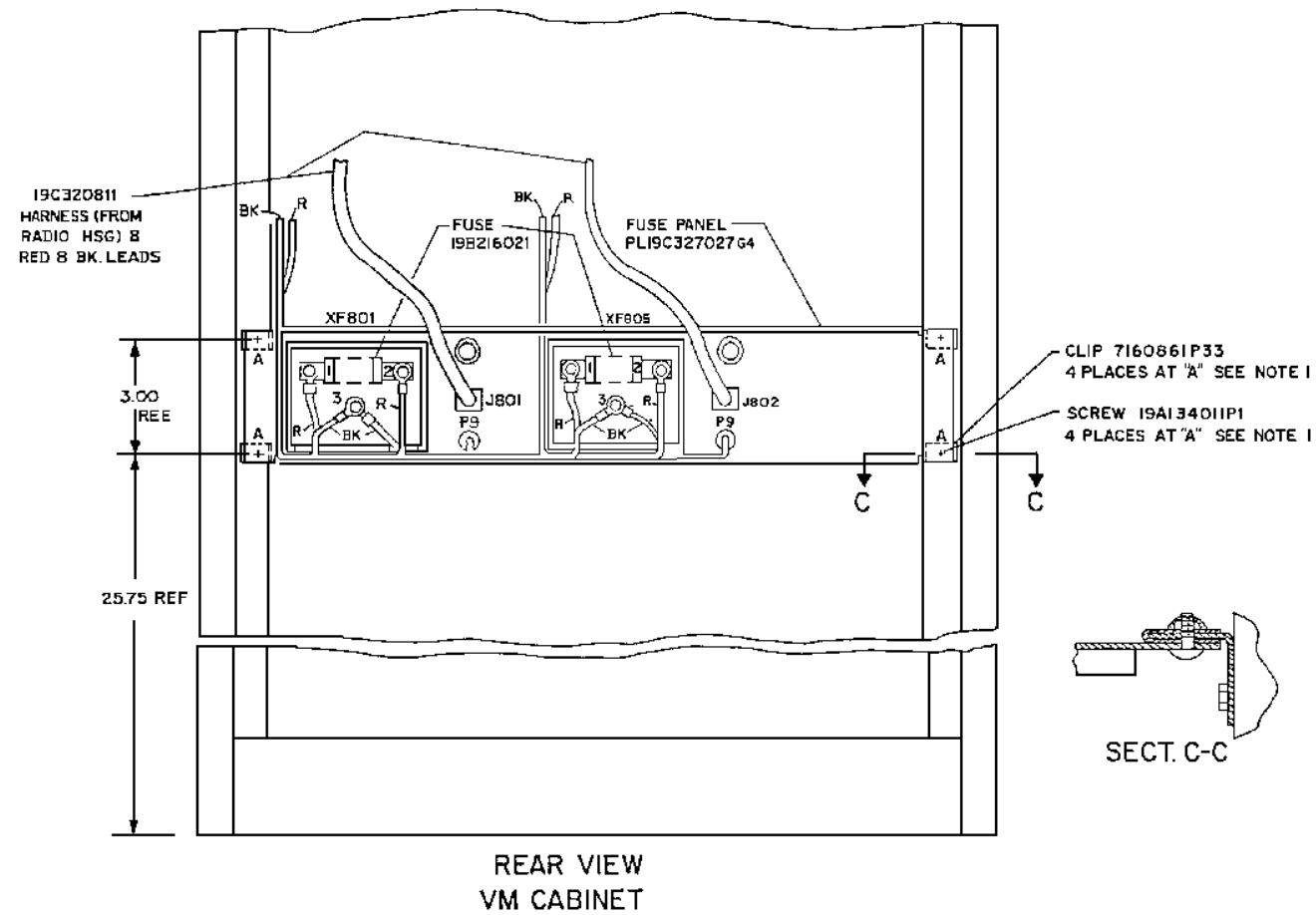
**FUSE PANEL
19C327027G8**

(19D423925, Sh. 2, Rev. 5)

4 THESE INSTRUCTIONS COVER THE INSTALLATION OF PL19C327027G4 FUSE PANEL IN THE VM CABINET.

NOTE:
1. HARDWARE USED IN THE FOLLOWING INSTRUCTION IS ON KIT PL19A130031G19.

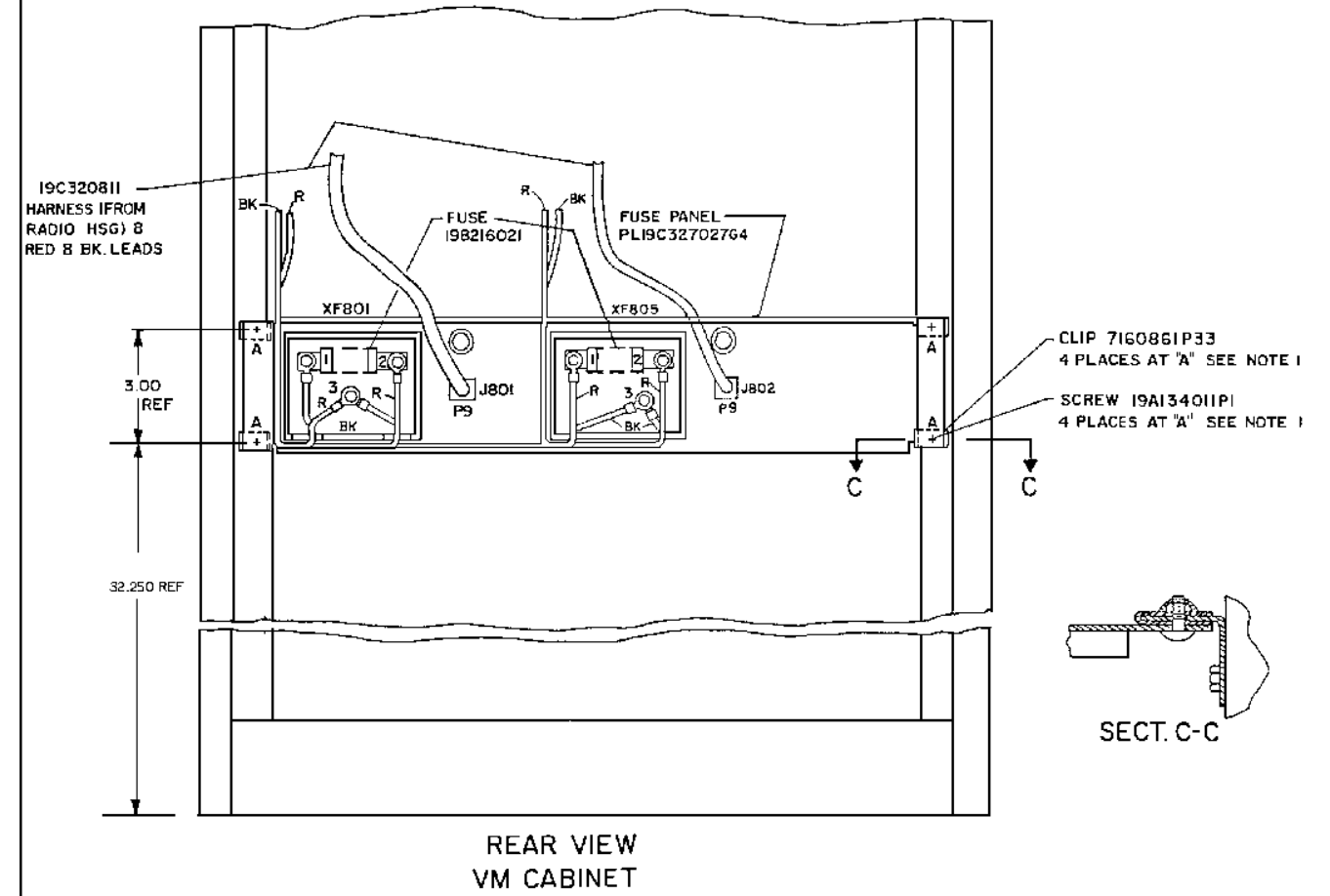
INSTRUCTION:
1. INSTALL FUSE PANEL AS SHOWN BELOW.



5 THESE INSTRUCTIONS COVER THE INSTALLATION OF PL19C327027G4 FUSE PANEL IN THE DM CABINET.

NOTE:
1. HARDWARE USED IN THE FOLLOWING INSTRUCTION IS ON KIT PL19A130031G17.

INSTRUCTION:
1. INSTALL FUSE PANEL AS SHOWN BELOW.



FUSE PANEL
19C327027G4

(19D423925, Sh. 3, Rev. 5)

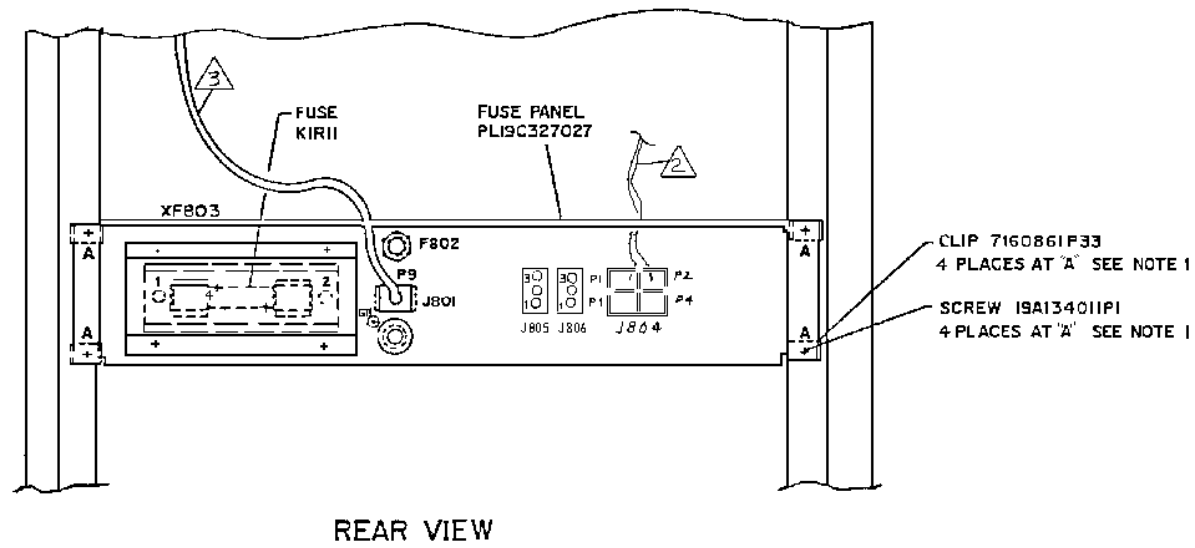
8 THESE INSTRUCTIONS COVER THE INSTALLATION OF PL19C327027G14 FUSE PANEL.

NOTE:

1. HARDWARE USED IN THE FOLLOWING INSTRUCTION IS SUPPLIED WITH SITE EQUIPMENT MOUNTING HARDWARE.

INSTRUCTION:

1. INSTALL FUSE PANEL WITH THE TOP IN THE SAME POSITION AS THE TOP OF THE DELETED POWER SUPPLY.
2. CONNECT PA TO J804 WITH 19B801937.
3. CONNECT 19C320811, 19B23587 TO J801.



REAR VIEW

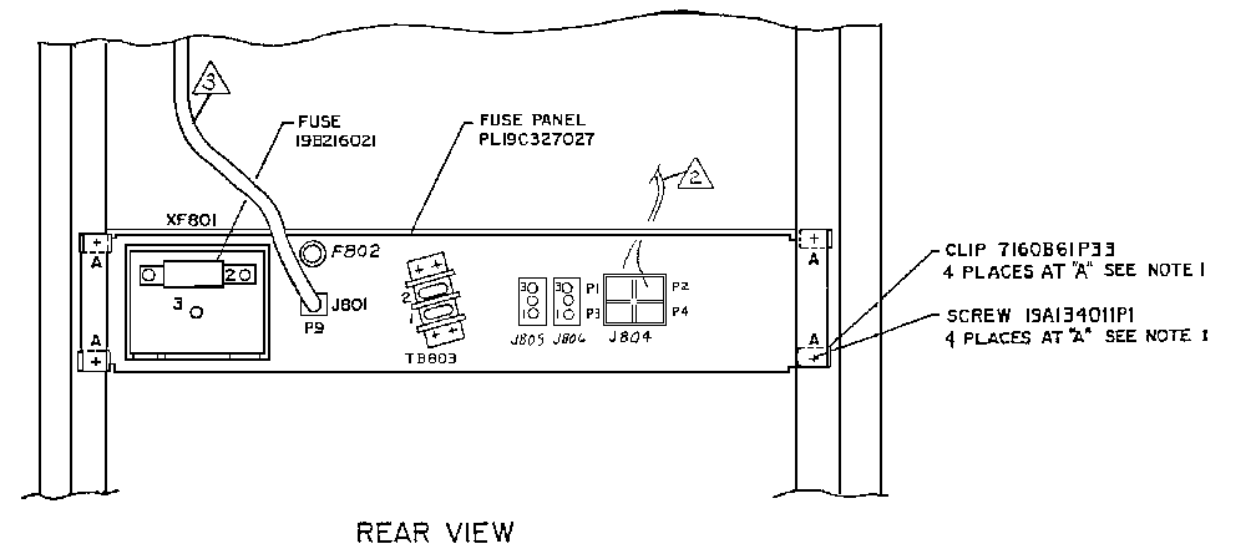
7 THESE INSTRUCTIONS COVER THE INSTALLATION OF PL19C327027G10 & G12 FUSE PANEL IN THE VM CABINET.

NOTE:

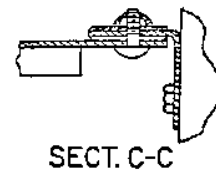
1. HARDWARE USED IN THE FOLLOWING INSTRUCTION IS SUPPLIED WITH SITE EQUIPMENT MOUNTING HARDWARE.

INSTRUCTION:

1. INSTALL FUSE PANEL WITH THE TOP IN THE SAME POSITION AS THE TOP OF THE DELETED POWER SUPPLY.
2. CONNECT PA TO J804 WITH 19B801937.
3. CONNECT 19C320811, 19B23587 TO J801.

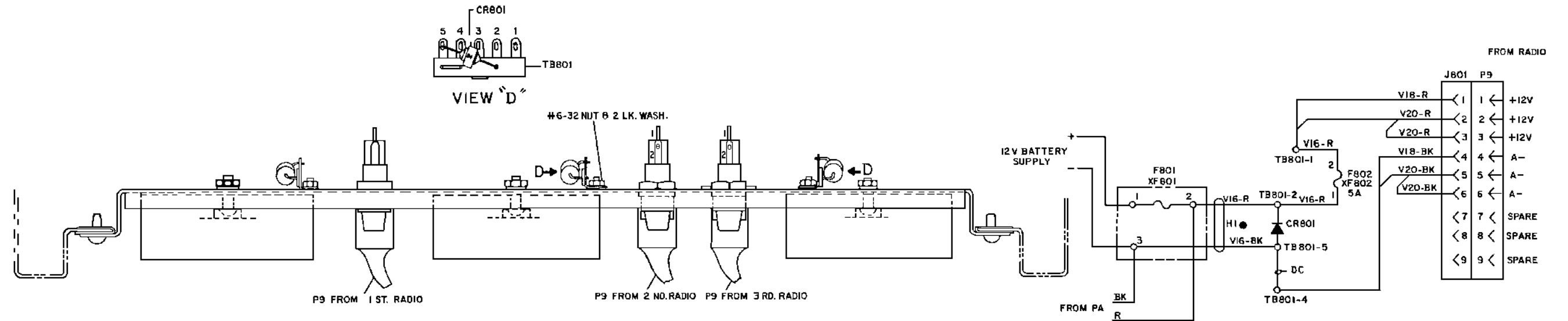


REAR VIEW

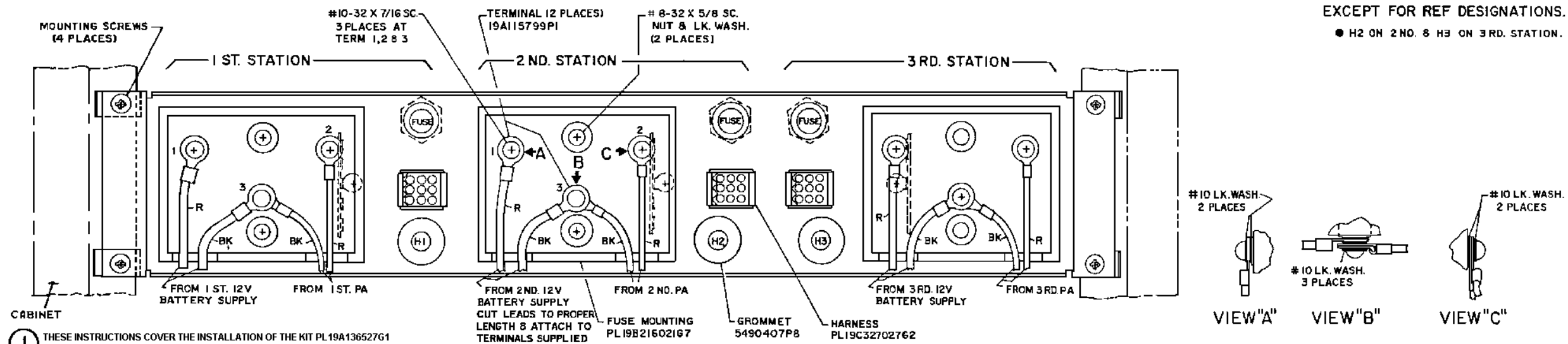


**FUSE PANEL
19C327027G10, G12 & G14**

(19D423925, Sh. 4, Rev. 5)



WIRING DIAGRAM FOR 1 ST. STATION
 ALSO APPLIES TO 2ND. & 3RD. STATION
 EXCEPT FOR REF DESIGNATIONS.
 ● H2 ON 2ND. & H3 ON 3RD. STATION.



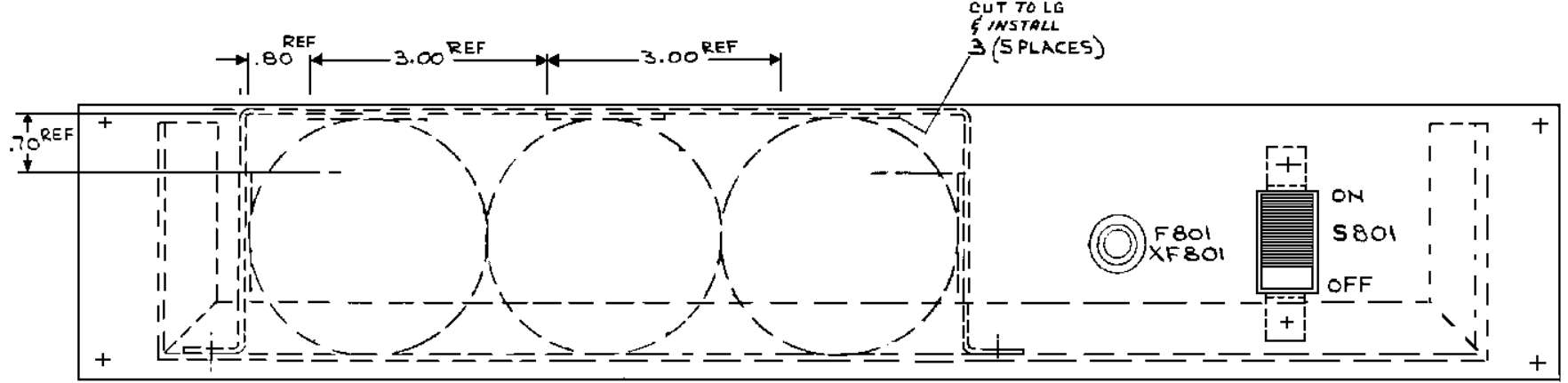
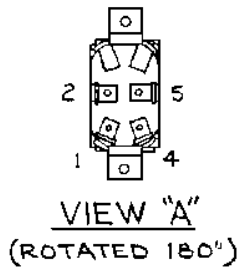
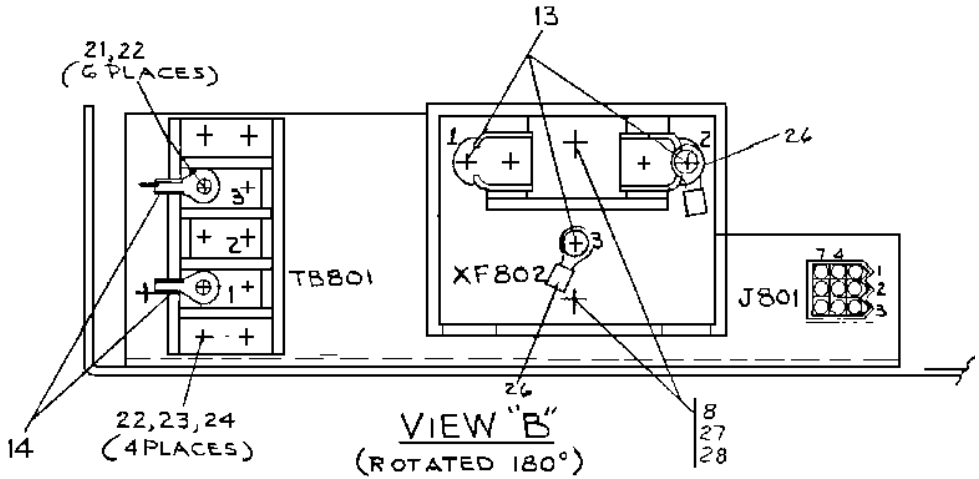
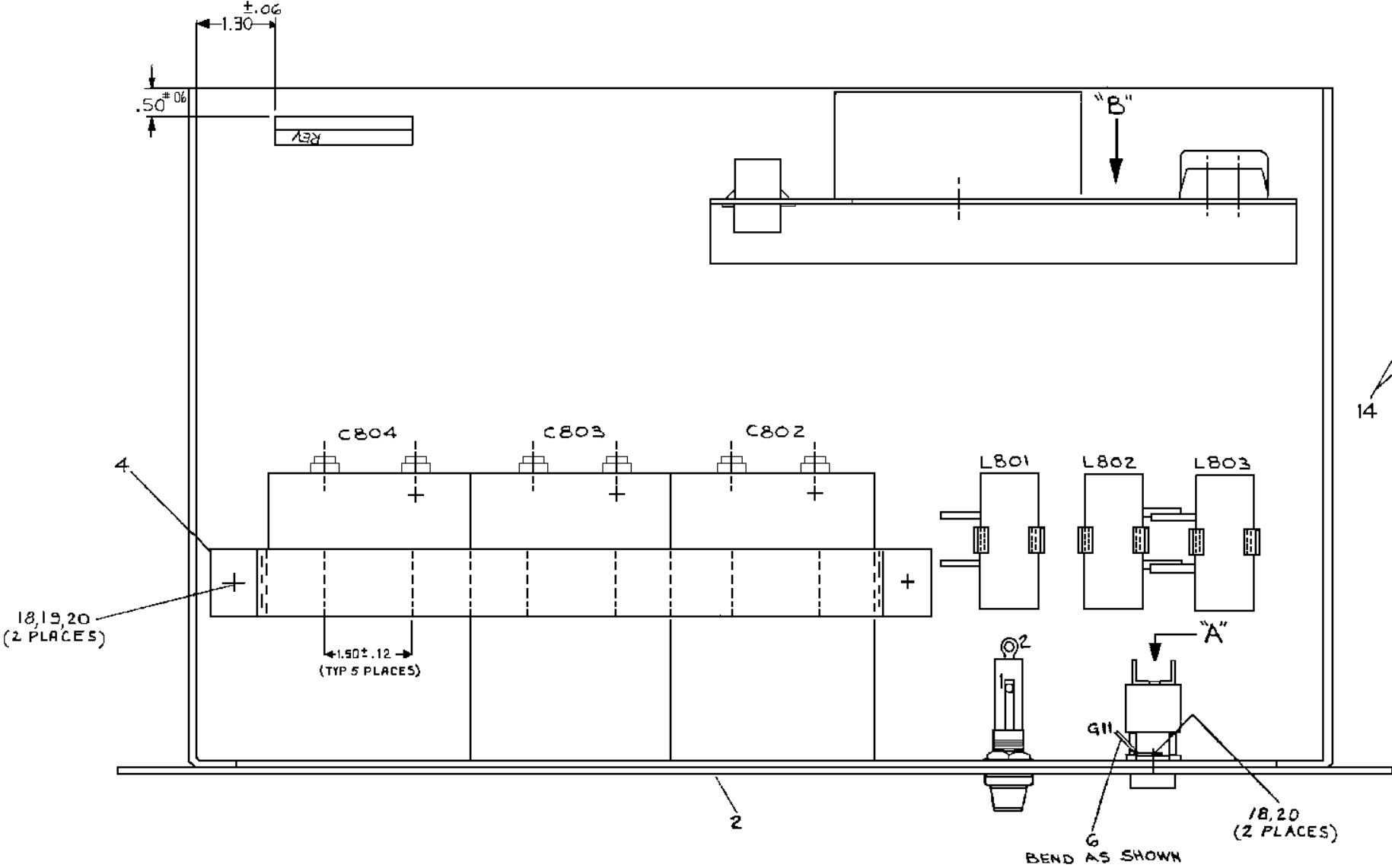
1 THESE INSTRUCTIONS COVER THE INSTALLATION OF THE KIT PL19A136527G1 ON FUSE PANEL PL19C327027G1 FOR USE ON 2ND AND 3RD DC STATIONS. INSTRUCTIONS:

1. ASSEMBLE PARTS FROM KIT TO PANEL AND WIRE AS SHOWN ON DIAGRAM.
2. MOUNT PANEL IN RADIO CABINET IN A CONVENIENT LOCATION.
3. CONNECT THE FOLLOWING LEADS FROM STATIONS 1, 2, AND 3 TO THEIR RESPECTIVE FUSE ASSEMBLY.
 - a) P9 TO P9-PIN CONNECTOR.
 - b) RED LEAD FROM PA TO TERMINAL 2 ON FUSE BLOCK.
 - c) BLACK LEAD FROM PA TO TERMINAL 3 ON FUSE BLOCK
 - d) (+) 12 VOLTS FROM BATTERY TO TERMINAL 1 ON FUSE BLOCK.
 - e) (-) LEAD FROM BATTERY TO TERMINAL 3 ON FUSE BLOCK.

NOTE: TERMINALS FOR INCOMING POWER LEADS ARE PROVIDED TO TERMINATE UP TO #8 AWG CUSTOMER SUPPLIED LEADS.

FUSE KIT
 19A136527G1

(19D423820, Rev. 1)



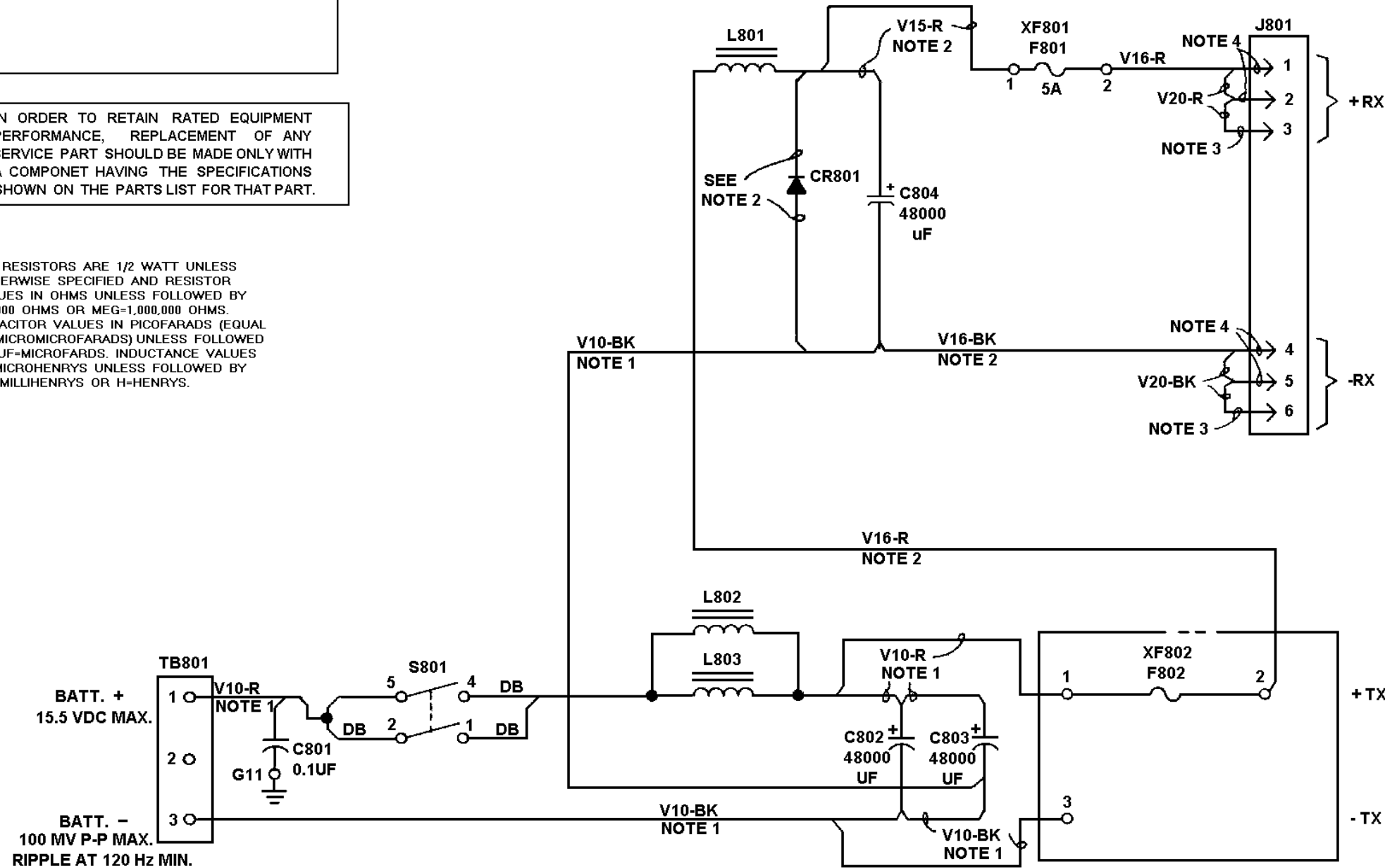
**FILTER PANEL
19D423732G1**

(19D423732, Rev. 5)

MODEL NO.	REV. LETTER
PL19D423732G1	

IN ORDER TO RETAIN RATED EQUIPMENT PERFORMANCE, REPLACEMENT OF ANY SERVICE PART SHOULD BE MADE ONLY WITH A COMPONENT HAVING THE SPECIFICATIONS SHOWN ON THE PARTS LIST FOR THAT PART.

ALL RESISTORS ARE 1/2 WATT UNLESS OTHERWISE SPECIFIED AND RESISTOR VALUES IN OHMS UNLESS FOLLOWED BY K=1000 OHMS OR MEG=1,000,000 OHMS. CAPACITOR VALUES IN PICO FARADS (EQUAL TO MICROMICROFARADS) UNLESS FOLLOWED BY UF=MICROFARADS. INDUCTANCE VALUES IN MICROHENRYS UNLESS FOLLOWED BY MH=MILLIHENRYS OR H=HENRYS.



BAND	POWER	FUSE
LOW	50 w	15 A
LOW	70 w	20 A
LOW	100 w	30 A
HIGH	35 w	15 A
HIGH	65 w	20 A
HIGH	110 w	30 A
450	20 w	10 A
450	40 w	15 A
450	75 w	20 A
450	100 w	30 A

PARTS LIST

FILTER PANEL
19D423732G1
FOR
12VDC MASTR II STATIONS
Issue 2

SYMBOL	PART NUMBER	DESCRIPTION
		----- CAPACITORS -----
C801	19A116080P107	Polyester: 0.1 F 10%, 50 VDCW.
C802 thru C804	5496520P19	Electrolytic: 48000 F -10 +100%, 40 VDCW.
		----- DIODES -----
CR801	19A116783P1	Rectifier, silicon: 100 VDC blocking, 6 amp; sim to MR751.
		----- FUSES -----
		NOTE: To select the correct fuse for G802, refer to the chart on the schematic diagram.
F801	1R16P8	Cartridge, quick blowing: 5 amps at 250 v; sim to Littelfuse 312005 or Bussmann MTH-5.
F802	1R11P3	Cartridge, quick blowing: 10 amps at 250 v; sim to Bussmann NON10.,,
	1R11P4	Cartridge, quick blowing: 15 amps at 250 v; sim to Bussmann NON15.
	1R11P5	Cartridge, quick blowing: 20 amps at 250 v; sim to Bussmann NON20.
	1R11P6	Cartridge, quick blowing: 25 amps at 250 v; sim to Bussmann NON25.
	1R11P7	Cartridge, quick blowing: 30 amps at 250 v; sim to Bussmann NON30.
	1R11P8	Cartridge, quick blowing: 35 amps at 250 v; sim to Bussmann NON35.
		----- JACK -----
J801	19B209288P3	Shell.
		----- INDUCTORS -----
L801 thru L803	19A115391P1	Coil, RF: 50 uh
		----- SWITCH -----
S801	19B209498P1	Push: DPST, 20 amps at 220 VRMS; sim. to McGill 0811-0188.
		---- TERMINAL BOARD ----
TB801	19C301087P49	Phen: 3 terminals; sim to M/A-COM CR151D.
		---- FUSE SOCKETS ----
XF801	4037402P2	Fuseholder: 15 amps at 250 v
XF802	19B216021G7	Fuseholder.

SYMBOL	PART NUMBER	DESCRIPTION
		----- MISCELLANEOUS -----
2	19D413045P1	Base.
4	19B205950P1	Fuse clip.
8	N117P15006B6	Screw, Tap
9	19A115942P1	Insert, threaded.
		----- MISCELLANEOUS -----
2	19C321977G1	Front Panel
		----- MISCELLANEOUS -----
2	19D423733G1	Chassis
3	7118719P10	Clip, spring tension: sim to Prestole E-50019-003.
4	19B800608P154	Rivet, tubular.
5	4037460P107	Stud, SELF-CNCH
3	19A116466P3	Tape, pressure sensitive.
4	19B227244P1	Clamp (Secures C802-C804).
6	4035200P1	Terminal, solderless
8	N80P15010B6	Screw, machine.
9	19B209268P112	Terminal, solderless
10	19B209268P106	Terminal, solderless: sim to AMP 41184.
11	19B209288P1	Contact, female: 14-20 AWG; sim to Molex 02-09-1101.
13	N80P16007C1	Screw, machine.
14	19B209260P11	Solderless terminal: wire range No. 12-10; sim to AMP 42864-2.
18	7141225P3	Hex Nut: No. 6-32.
19	N402P37B6	Flatwasher: No. 6.
20	N404P13B6	Lockwasher, internal tooth: No. 6.
21	N80P15005B6	Screw, machine.
22	N404P16B6	Lockwasher
23	N80P15012B6	Screw, machine.
24	N210P15B6	Nut, hex: No. 8-32.
25	19A706152P5	Strap, retaining.
26	19B209260P11	Terminal, solderless.
27	N403P16B6	Lockwasher, internal tooth: No. 8.
28	N210P15B6	Nut, hex: No. 8-32.

* COMPONENTS, ADDED, DELETED OR CHANGED BY PRODUCTION CHANGES

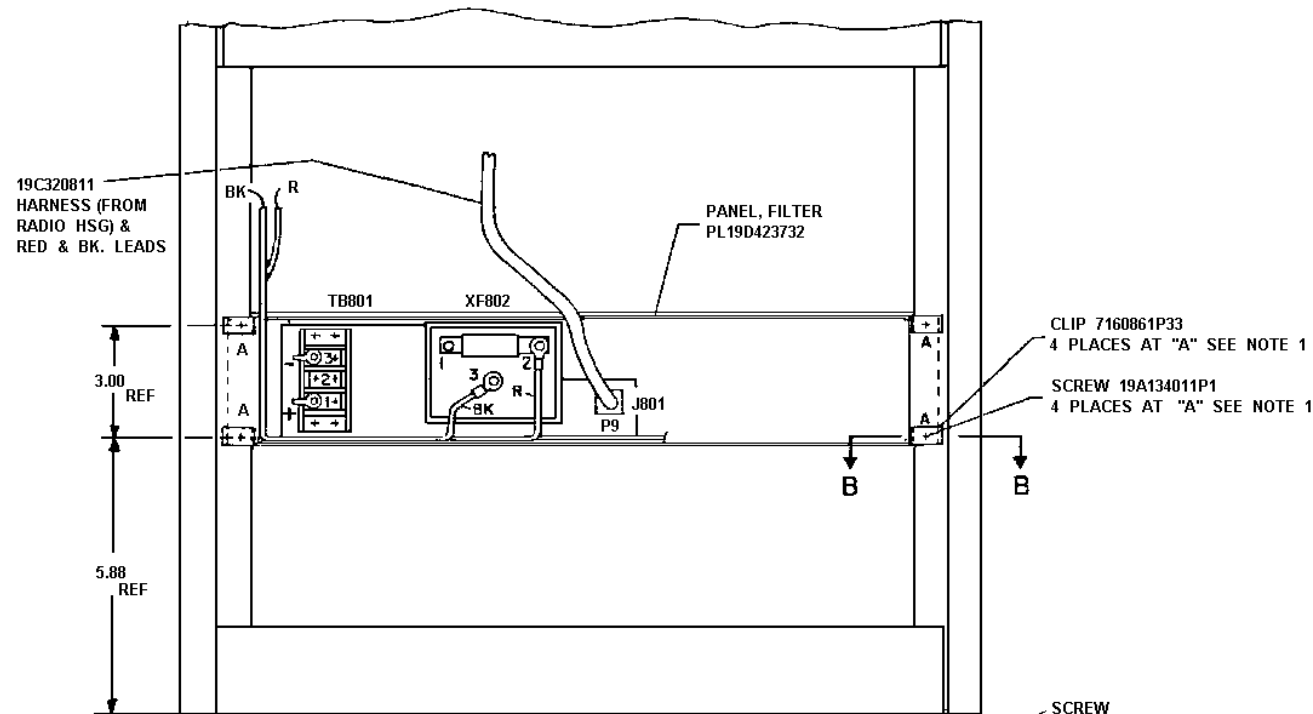
① THESE INSTRUCTIONS COVER THE INSTALLATION OF PL19D423732 PANEL, FILTER IN THE 30" AND 44" DESK MATE CABINET AND THE OUTDOOR CABINET.

NOTE:
1. HARDWARE USED IN THE FOLLOWING INSTRUCTION IS ON KIT PL19A130031G4.

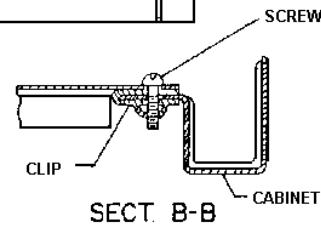
INSTRUCTION:

1. INSTALL PANEL, FILTER AS SHOWN BELOW.
2. IF THE PA LEADS ARE ALREADY TERMINATED WITH SOLDERLESS CONNECTORS, 19B209260P11, (AS SHOWN BELOW), THEN REMOVE AND DISCARD THE TWO SPARE, 19B209260P11, TERMINALS AT XF802-2 AND XF802-3, AND HOOK UP PA LEADS.

3. IF THE PA LEADS ARE TERMINATED WITH HERMAPHRODITIC CONTACTS, 344A3805P1, INSTALLED IN CONNECTOR HOUSING, 344A3804P1, THEN REMOVE CONTACTS FROM HOUSING, RETURN, 344A3804P1, HOUSING TO STOCK IF A FACTORY INSTALLED OPTION, REMOVE AND DISCARD CONTACTS, 344A3805P1, AND TERMINATE PA LEADS WITH ALREADY PROVIDED TERMINALS, 19B209260P11, AT XF802-2 AND XF802-3.



REAR VIEW
30" AND 44" DESK MATE
ALSO OUTDOOR CABINET



② THESE INSTRUCTIONS COVER THE INSTALLATION OF PL19D423732 PANEL, FILTER IN THE VM CABINET.

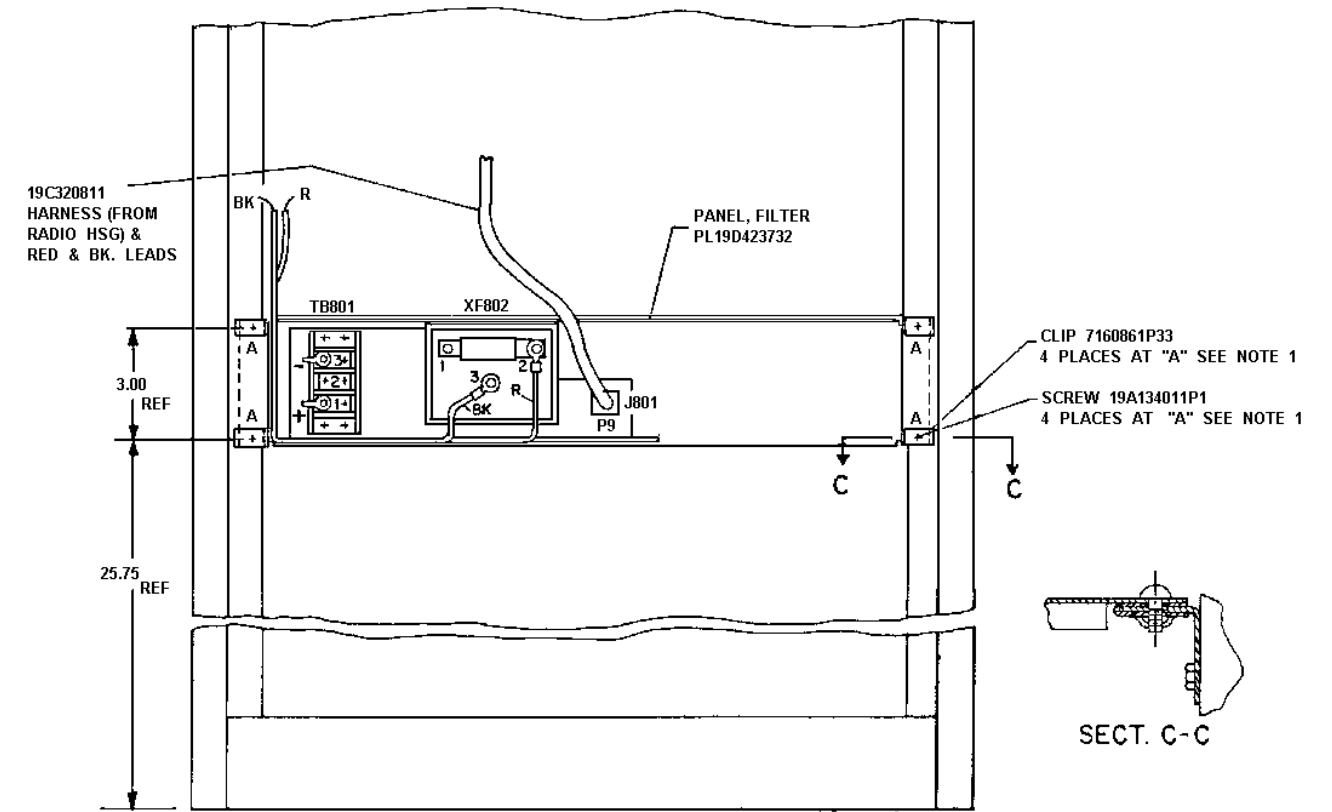
NOTE:
1. HARDWARE USED IN THE FOLLOWING INSTRUCTION IS ON KIT PL19A130031G4.

INSTALLATION:

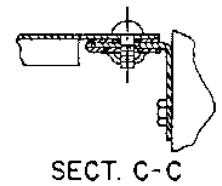
1. INSTALL PANEL, FILTER AS SHOWN BELOW.

2. IF THE PA LEADS ARE ALREADY TERMINATED WITH SOLDERLESS CONNECTORS, 19B209260P11 (AS SHOWN BELOW), THEN REMOVE AND DISCARD THE TWO SPARE, 19B209260P11, TERMINALS AT XF802-2 AND XF802-3, AND HOOK UP PA LEADS.
3. IF THE PA LEADS ARE TERMINATED WITH HERMAPHRODITIC CONTACTS, 344A3805P1, INSTALLED IN CONNECTOR HOUSING, 344A3804P1, THEN REMOVE CONTACTS FROM HOUSING, RETURN,

344A3804P1, HOUSING TO STOCK IF A FACTORY INSTALLED OPTION, REMOVE AND DISCARD CONTACTS, 344A3805P1, AND TERMINATE PA LEADS WITH ALREADY PROVIDED TERMINALS, 19B209260P11, AT XF802-2 AND XF802-3.



REAR VIEW
VM CABINET



FILTER PANEL
19D423732G1

(19D423959, Rev. 2)