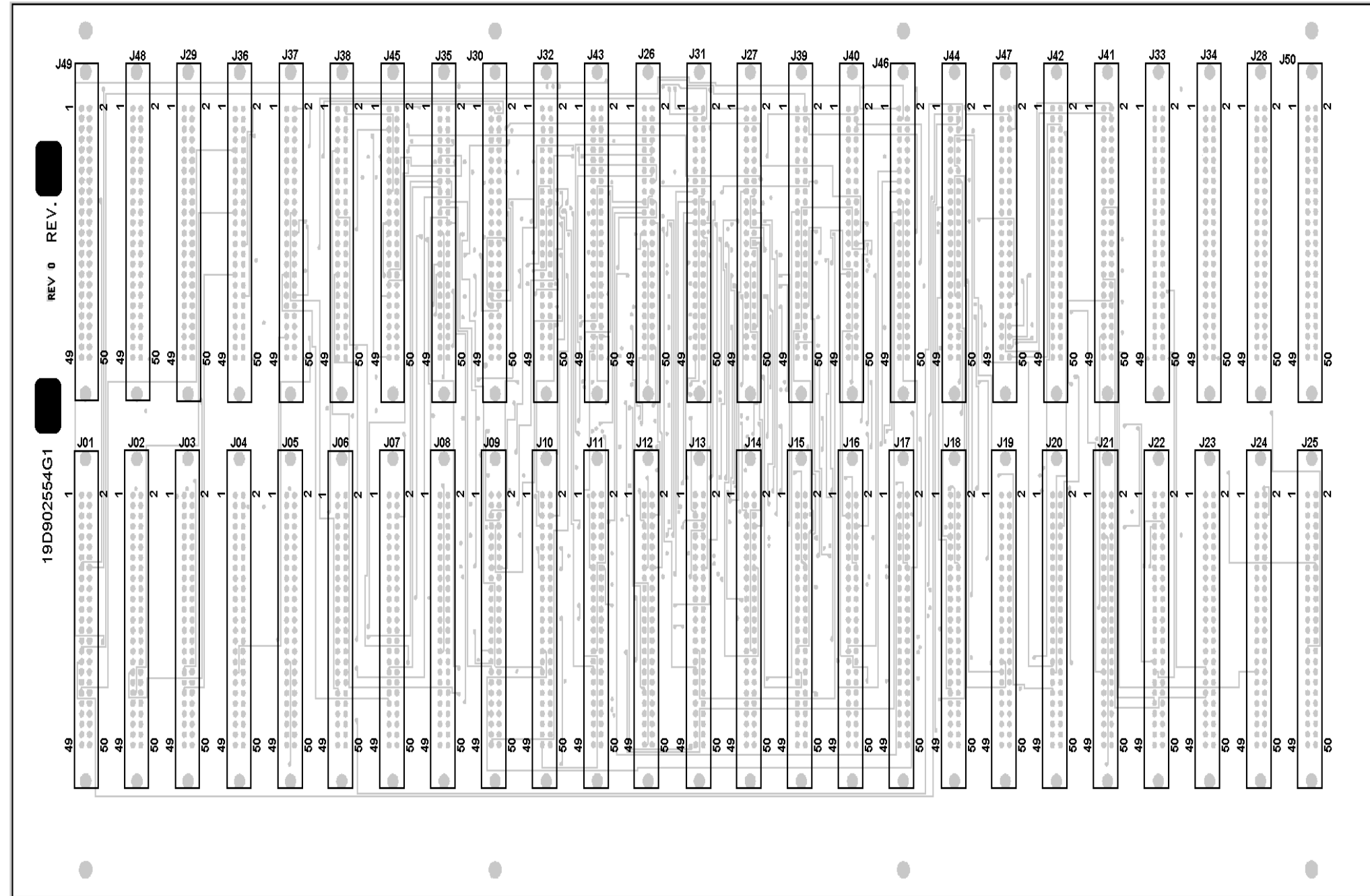


MAINTENANCE MANUAL

TRANSMIT SITE CROSS-CONNECT PANEL
19D902544G1

TABLE OF CONTENTS

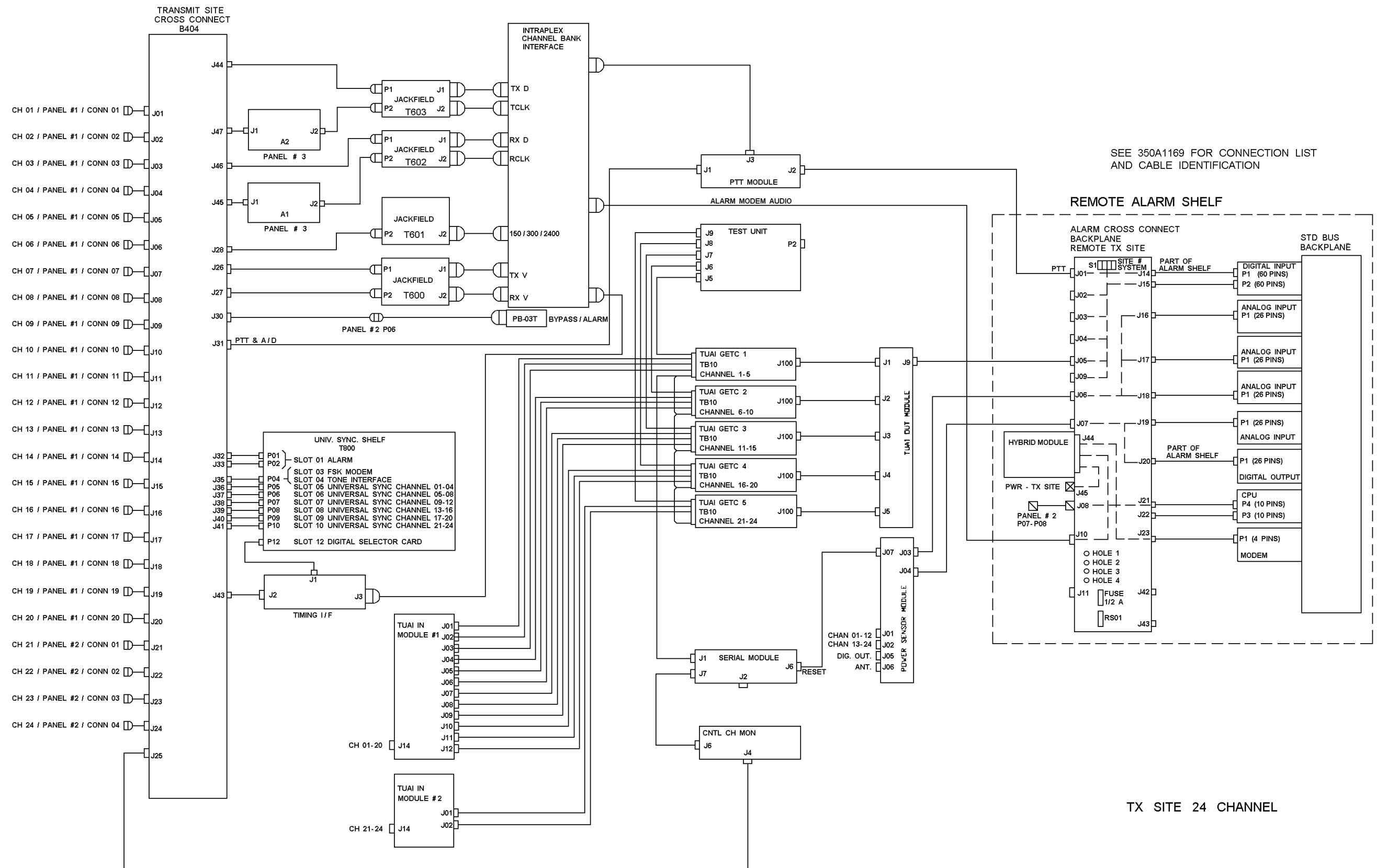
	<u>Page</u>
OUTLINE DIAGRAM	1
INTERCONNECT DIAGRAM.....	2
PARTS LIST.....	3
WIRING LIST	3
FUNCTION LIST	26



(19D902553, Mark Component Side, Rev. 0)
(19D902553, Component Side, Rev. 0)

Note: This is a six layer board.

**OUTLINE DIAGRAM
TRANSMIT SITE CROSS-CONNECT PANEL**



INTERCONNECT DIAGRAM
TRANSMIT SITE CROSS-CONNECT PANEL

(19D903997, Sh. 6, Rev. 1)

PARTS LIST

TRANSMIT SITE CROSS CONNECT
19D902554G1
ISSUE 1

SYMBOL	PART NO.	DESCRIPTION
		-----CONNECTORS-----
J1 thru J50		Printed wire board; sim to AMP 1-499582-0.
		-----MISCELLANEOUS-----
3		Latch; sim to AMP 102320-1.

*COMPONENTS ADDED, DELETED OR CHANGED BY PRODUCTION CHANGES

WIRING LIST

TRANSMIT SITE CROSS-CONNECT PANEL

B404 J01 TO T501 GETC INTERFACE CH1		
FROM	TO	FUNCTION
J01-01		n/c
J01-02		n/c
J01-03		n/c
J01-04		n/c
J01-05	J26-01	TX VOICE CH01 R
J01-06	J26-02	TX VOICE CH01 T
J01-07	J27-01	RX VOICE CH01 R
J01-08	J27-02	RX VOICE CH01 T
J01-09	J30-01	BYPASS CH01
J01-10	*	GND
J01-11		PTT OUT CH01
J01-12	#	PTT OUT RTN
J01-13		A/D OUT CH01
J01-14	@	A/D OUT RTN
J01-15	J31-01	PTT IN CH01
J01-16	J31-02	A/D IN TTL CH01
J01-17		PTT IN 232 CH01
J01-18		A/D IN 232 CH01
J01-19		PTT OUT 232 CH01
J01-20		+12V OUT CH01
J01-21		n/c
J01-22		-12V OUT CH01
J01-23		n/c
J01-24	*	GND
J01-25		n/c
J01-26	*	GND
J01-27		n/c
J01-28	*	GND
J01-29		VRXD CH01
J01-30	*	GND
J01-31	J46-01	CLK TXD 232 CH01
J01-32	*	GND
J01-33	J44-02	TXD 232 CH01
J01-34	*	GND
J01-35	J35-11	150 IN 232 CH01
J01-36		150D GOUT CH01
J01-37		n/c
J01-38	*	GND
J01-39	J36-09	USDATOUT01A
J01-40	*	GND
J01-41		9.6D GOUT CH01
J01-42		9.6C GOUT CH01
J01-43		n/c
J01-44	*	GND
J01-45		n/c
J01-46		n/c
J01-47		n/c
J01-48		n/c

Continued

Continued

<u>FROM</u>	<u>TO</u>	<u>FUNCTION</u>
J01-49	J06-49	SEL 2 OUT A
	J11-49	
	J16-49	
	J21-49	
	J43-43	
J01-50	*	GND
B404-J02 TO T501 GETC INTERFACE CH2		
J02-01		n/c
J02-02		n/c
J02-03		n/c
J02-04		n/c
J02-05	J26-03	TX VOICE CH02 R
J02-06	J26-04	TX VOICE CH02 T
J02-07	J27-03	RX VOICE CH02 R
J02-08	J27-04	RX VOICE CH02 T
J02-09	J30-02	BYPASS CH02
J02-10	*	GND
J02-11		PTT OUT CH02
J02-12		PTT OUT RTN
J02-13		A/D OUT CH02
J02-14		A/D OUT RTN
J02-15	J31-03	PTT IN CH02
J02-16	J31-04	A/D IN TTL CH02
J02-17		PTT IN 232 CH02
J02-18		A/D IN 232 CH02
J02-19		PTT OUT 232 CH02
J02-20		+12V OUT CH02
J02-21		n/c
J02-22		-12V OUT CH02
J02-23		n/c
J02-24	*	GND
J02-25		n/c
J02-26	*	GND
J02-27		n/c
J02-28	*	GND
J02-29		VRXD CH02
J02-30	*	GND
J02-31	J46-03	CLK TXD 232 CH02
J02-32	*	GND
J02-33	J44 -04	TXD 232 CH02
J02-34	*	GND
J02-35	J35-12	150 IN 232 CH02
J02-36		150D GOUT CH02
J02-37		n/c
J02-38	*	GND
J02-39	J36-21	USDATOUT02A
J02-40	*	GND
J02-41		9.6D GOUT CH02
J02-42		9.6C GOUT CH02
J02-43		n/c
J02-44	*	GND
J02-45		n/c

<u>FROM</u>	<u>TO</u>	<u>FUNCTION</u>
J02-46		n/c
J02-47		n/c
J02-48		n/c
J02-49	J07-49	SEL 2 OUT B
	J12-49	
	J17-49	
	J22-49	
	J43-44	
J02-50	*	GND
B404-J03 TO T501 GETC INTERFACE CH3		
J03-01		n/c
J03-02		n/c
J03-03		n/c
J03-04		n/c
J03-05	J26-05	TX VOICE CH03 R
J03-06	J26-06	TX VOICE CH03 T
J03-07	J27-05	RX VOICE CH03 R
J03-08	J27-06	BX VOICE CH03 T
J03-09	J30-03	BYPASS CH03
J03-10	*	GND
J03-11		PTT OUT CH03
J03-12	#	PTT OUT RTN
J03-13		A/D OUT CH03
J03-14		A/D OUT RTN
J03-15	J31-05	PTT IN CH03
J03-16	J31-06	A/D IN TTL CH03
J03-17		PTT IN 232 CH03
J03-18		A/D IN 232 CH03
J03-19		PTT OUT 232 CH03
J03-20		+12V OUT CH03
J03-21		n/c
J03-22		-12V OUT CH03
J03-23		n/c
J03-24	*	GND
J03-25		n/c
J03-26	*	GND
J03-27		n/c
J03-28	*	GND
J03-29		VRXD CH03
J03-30	*	GND
J03-31	J46-05	CLK TXD 232 CH03
J03-32	*	GND
J03-33	J44-06	TXD 232 CH03
J03-34	*	GND
J03-35	J35-13	150 IN 232 CH03
J03-36		150D GOUT CH03
J03-37		n/c
J03-38	*	GND
J03-39	J36-33	USDATOUT03A
J03-40	*	GND
J03-41		9.6D GOUT CH03
J03-42		9.6C GOUT CH03

Continued

Continued

<u>FROM</u>	<u>TO</u>	<u>FUNCTION</u>
J03-43		n/c
J03-44	*	GND
J03-45		n/c
J03-46		n/c
J03-47		n/c
J03-48		n/c
J03-49	J08-49	SEL 2 OUT C
	J13-49	
	J18-49	
	J23-49	
	J43-45	
J03-50	*	GND
B404-J04 TO T501 GETC INTERFACE CH4		
J04-01		n/c
J04-02		n/c
J04-03		n/c
J04-04		n/c
J04-05	J26-07	TX VOICE CH04 R
J04-06	J26-08	TX VOICE CH04 T
J04-07	J27-07	RX VOICE CH04 R
J04-08	J27-08	RX VOICE CH04 T
J04-09	J30-04	BYPASS CH04
J04-10	*	GND
J04-11		PTT OUT CH04
J04-12		PTT OUT RTN
J04-13		A/D OUT CH04
J04-14	@	A/D OUT RTN
J04-15	J31-07	PTT IN CH04
J04-16	J31-08	A/D IN TTL CH04
J04-17		PTT IN 232 CH04
J04-18		A/D IN 232 CH04
J04-19		PTT OUT 232 CH04
J04-20		+12V OUT CH04
J04-21		n/c
J04-22		-12V OUT CH04
J04-23		n/c
J04-24	*	GND
J04-25		n/c
J04-26	*	GND
J04-27		n/c
J04-28	*	GND
J04-29		VRXD CH04
J04-30	*	GND
J04-31	J46-07	CLK TXD 232 CH04
J04-32	*	GND
J04-33	J44-08	TXD232CH04
J04-34	*	GND
J04-35	J35-14	150 IN232CH04
J04-36		150D GOUT CH04
J04-37		n/c
J04-38	*	GND
J04-39	J36-45	USDATOUT04A

<u>FROM</u>	<u>TO</u>	<u>FUNCTION</u>
J04-40	*	GND
J04-41		9.6D GOUT CH04
J04-42		9.6C GOUT CH04
J04-43		n/c
J04-44	*	GND
J04-45		n/c
J04-46		n/c
J04-47		n/c
J04-48		n/c
J04-49	J09-49	SEL 2 OUT D
	J14-49	
	J19-49	
	J24-49	
	J43-46	
J04-50	*	GND
B404-J05 TO T501 GETC INTERFACE CH5		
J05-01		n/c
J05-02		n/c
J05-03		n/c
J05-04		n/c
J05-05	J26-09	TX VOICE CH05 R
J05-06	J26-10	TX VOICE CH05 T
J05-07	J27-09	RX VOICE CH05 R
J05-08	J27-10	RX VOICE CH05 T
J05-09	J30-05	BYPASS CH05
J05-10	*	GND
J05-11		PTT OUT CH05
J05-12		PTT OUT RTN
J05-13		A/D OUT CH05
J05-14		A/D OUT RTN
J05-15	J31-09	PTT IN CH05
J05-16	J31-10	A/D IN TTL CH05
J05-17		PTT IN 232 CH05
J05-18		A/D IN 232 CH05
J05-19		PTT OUT 232 CH05
J05-20		+12V OUT CH05
J05-21		-12V OUT CH05
J05-23		n/c
J05-24	*	GND
J05-25		n/c
J05-26	*	GND
J05-27		n/c
J05-28	*	GND
J05-29		VRXD CH05
J05-30	*	GND
J05-31	J46-09	CLK TXD 232 CH05
J05-32	*	GND
J05-33	J44-10	TXD232CH05
J05-34	*	GND
J05-35	J35-15	150 IN 232 CH05
J05-36		150D GOUT CH05
J05-37		n/c

Continued

Continued

<u>FROM</u>	<u>TO</u>	<u>FUNCTION</u>
J05-38		GND
J05-39	J37-09	USDATOUT05A
J05-40	*	GND
J05-41		9.6D GOUT CH05
J05-42		9.6C GOUT CH05
J05-43		n/c
J05-44	*	GND
J05-45		n/c
J05-46		n/c
J05-47		n/c
J05-48		n/c
J05-49	J10-49	SEL 2 OUT E
	J15-49	
	J20-49	
	J25-49	
	J43-47	
J05-50	*	GND
B404-J06 TO T501 GETC INTERFACE CH6		
J06-01		n/c
J06-02		n/c
J06-03		n/c
J06-04		n/c
J06-05	J26-11	TX VOICE CH06 R
J06-06	J26-12	TX VOICE CH06 T
J06-07	J27-11	RX VOICE CH06 R
J06-08	J27-12	RX VOICE CH06 T
J06-09	J30-06	BYPASS CH06
J06-10	*	GND
J06-11		PTT OUT CH06
J06-12	#	PTT OUT RTN
J06-13		A/D OUT CH06
J06-14	@	A/D OUT RTN
J06-15	J31-11	PTT IN CH06
J06-16	J31-12	A/D IN TTL CH06
J06-17		PTT IN 232 CH06
J06-18		A/D IN 232 CH06
J06-19		PTT OUT 232 CH06
J06-20		+12V OUT CH06
J06-21		n/c
J06-22		-12V OUT CH06
J06-23		n/c
J06-24	*	GND
J06-25		n/c
J06-26	*	GND
J06-27		n/c
J06-28	*	GND
J06-29		VRXD CH06
J06-30	*	GND
J06-31	J46-11	CLK TXD 232 CH06
J06-32	*	GND
J06-33	J44-12	TXD 232 CH06
J06-34	*	GND

<u>FROM</u>	<u>TO</u>	<u>FUNCTION</u>
J06-35	J35-16	150 IN 232 CH06
J06-36		150D GOUT CH06
J06-37		n/c
J06-38	*	GND
J06-39	J37-21	USDATOUT06A
J06-40	*	GND
J06-41		9.6D GOUT CH06
J06-42		9.6C GOUT CH06
J06-43		n/c
J06-44	*	GND
J06-45		n/c
J06-46		n/c
J06-47		n/c
J06-48		n/c
J06-49	J01-49	SEL 2 OUT A
	J11 -49	
	J16-49	
	J21 -49	
	J43-43	
J06-50	*	GND
B404-J07 TO T501 GETC INTERFACE CH7		
J07-01		n/c
J07-02		n/c
J07-03		n/c
J07-04		n/c
J07-05	J26-13	TX VOICE CH07 R
J07-06	J26-14	TX VOICE CH07 T
J07-07	J27-13	RX VOICE CH07 R
J07-08	J27-14	RX VOICE CH07 T
J07-09	J30-07	BYPASS CH07
J07-10	*	GND
J07-11		PTT OUT CH07
J07-12	#	PTT OUT RTN
J07-13		A/D OUT CH07
J07-14		A/D OUT RTN
J07-15	J31-13	PTT IN CH07
J07-16	J31-14	A/D IN TTL CH07
J07-17		PTT IN 232 CH07
J07-18		A/D IN 232 CH07
J07-19		PTT OUT 232 CH07
J07-20		+12V OUT CH07
J07-21		n/c
J07-22		-12V OUT CH07
J07-23		n/c
J07-24	*	GND
J07-25		n/c
J07-26	*	GND
J07-27		n/c
J07-28	*	GND
J07-29		VRXD CH07
J07-30	*	GND
J07-31	J46-13	CLK TXD 232 CH07

Continued

Continued

<u>FROM</u>	<u>TO</u>	<u>FUNCTION</u>
J07-32	*	GND
J07-33	J44-14	TXD 232 CH07
J07-34	*	GND
J07-35	J35-17	150 IN 232 CH07
J07-36		150D GOUT CH07
J07-37		n/c
J07-38	*	GND
J07-39	J37-33	USDATOUT07A
J07-40	*	GND
J07-41		9.6D GOUT CH07
J07-42		9.6C GOUT CH07
J07-43		n/c
J07-44	*	GND
J07-45		n/c
J07-46		n/c
J07-47		n/c
J07-48		n/c
J07-49	J02-49	SEL 2 OUT B
	J12-49	
	J17-49	
	J22-49	
	J43-44	
J07-50	*	GND
B404-J08 TO T501 GETC INTERFACE CH8		
J08-01		n/c
J08-02		n/c
J08-03		n/c
J08-04		n/c
J08-05	J26-15	TX VOICE CH08 R
J08-06	J26-16	TX VOICE CH08 T
J08-07	J27-15	RX VOICE CH08 R
J08-08	J27-16	RX VOICE CH08 T
J08-09	J30-08	BYPASS CH08
J08-10	*	GND
J08-11		PTT OUT CH08
J08-12		PTT OUT RTN
J08-13		A/D OUT CH08
J08-14		A/D OUT RTN
J08-15	J31-15	PTT IN CH08
J08-16	J31-16	A/D IN TTL CH08
J08-17		PTT IN 232 CH08
J08-18		A/D IN 232 CH08
J08-19		PTT OUT 232 CH08
J08-20		+12V OUT CH08
J08-21		n/c
J08-22		-12V OUT CH08
J08-23		n/c
J08-24	*	GND
J08-25		n/c
J08-26	*	GND
J08-27		n/c
J08-28	*	GND

<u>FROM</u>	<u>TO</u>	<u>FUNCTION</u>
J08-29		VRXD CH08
J08-30	*	GND
J08-31	J46-15	CLK TXD 232 CH08
J08-32	*	GND
J08-33	J44-16	TXD 232 CH08
J08-34	*	GND
J08-35	J35-18	150 IN 232 CH08
J08-36		150D GOUT CH08
J08-37		n/c
J08-38	*	GND
J08-39	J37-45	USDATOUT08A
J08-40	*	GND
J08-41		9.6D GOUT CH08
J08-42		9.6C GOUT CH08
J08-43		n/c
J08-44	*	GND
J08-45		n/c
J08-46		n/c
J08-47		n/c
J08-48		n/c
J08-49	J03-49	SEL 2 OUT C
	J13-49	
	J18-49	
	J23-49	
	J43-45	
J08-50	*	GND
B404-J09 TO T501 GETC INTERFACE CH9		
J09-01		n/c
J09-02		n/c
J09-03		n/c
J09-04		n/c
J09-05	J26-17	TX VOICE CH09R
J09-06	J26-18	TX VOICE CH09T
J09-07	J27-17	RX VOICE CH09R
J09-08	J27-18	RX VOICE CH09 T
J09-09	J30-09	BYPASS CH09
J09-10	*	GND
J09-11		PTT OUT CH09
J09-12	#	PTT OUT RTN
J09-13		A/D OUT CH09
J09-14	@	A/D OUT RTN
J09-15	J31-17	PTT IN CH09
J09-16	J31-18	A/D IN TTL CH09
J09-17		PTT IN 232 CH09
J09-18		A/D IN 232 CH09
J09-19		PTT OUT 232 CH09
J09-20		+12V OUT CH09
J09-21		n/c
J09-22		-12V OUT CH09
J09-23		n/c
J09-24	*	GND
J09-25		n/c

Continued

Continued

<u>FROM</u>	<u>TO</u>	<u>FUNCTION</u>
J09-26	*	GND
J09-27		n/c
J09-28	*	GND
J09-29		VRXD CH09
J09-30	*	GND
J09-31	J46-17	CLK TXD 232 CH09
J09-32	*	GND
J09-33	J44-18	TXD 232 CH09
J09-34	*	GND
J09-35	J35-19	150 IN 232 CH09
J09-36		150D GOUT CH09
J09-37		n/c
J09-38	*	GND
J09-39	J38-09	USDATOUT09A
J09-40	*	GND
J09-41		9.6D GOUT CH09
J09-42		9.6C GOUT CH09
J09-43		n/c
J09-44	*	GND
J09-45		n/c
J09-46		n/c
J09-47		n/c
J09-48		n/c
J09-49	J04-49	SEL 2 OUT D
	J14-49	
	J19-49	
	J24-49	
	J43-46	
J09-50	*	GND
B404-J10 TO T501 GETC INTERFACE CH10		
J10-01		n/c
J10-02		n/c
J10-03		n/c
J10-04		n/c
J10-05	J26-19	TX VOICE CH10 R
J10-06	J26-20	TX VOICE CH10 T
J10-07	J27-19	RX VOICE CH10 R
J10-08	J27-20	RX VOICE CH10 T
J10-09	J30-10	BYPASS CH10
J10-10	*	GND
J10-11		PTT OUT CH10
J10-12	#	PTT OUT RTN
J10-13		A/D OUT CH10
J10-14	@	A/D OUT RTN
J10-15	J31-19	PTT IN CH10
J10-16	J31-20	A/D IN TTL CH10
J10-17		PTT IN 232 CH10
J10-18		A/D IN 232 CH10
J10-19		PTT OUT 232 CH10
J10-20		+12V OUT CH10
J10-21		n/c
J10-22		-12V OUT CH10

<u>FROM</u>	<u>TO</u>	<u>FUNCTION</u>
J10-23		n/c
J10-24	*	GND
J10-25		n/c
J10-26	*	GND
J10-27		n/c
J10-28	*	GND
J10-29		VRXD CH10
J10-30	*	GND
J10-31	J46-19	CLK TXD 232 CH10
J10-32	*	GND
J10-33	J44-20	TXD 232 CH10
J10-34	*	GND
J10-35	J35-20	150 IN 232 CH10
J10-36		150D GOUT CH10
J10-37		n/c
J10-38	*	GND
J10-39	J38-21	USDATOUT10A
J10-40	*	GND
J10-41		9.6D GOUT CH10
J10-42		9.6C GOUT CH10
J10-43		n/c
J10-44	*	GND
J10-45		n/c
J10-46		n/c
J10-47		n/c
J10-48		n/c
J10-49	J05-49	SEL 2 OUT E
	J15-49	
	J20-49	
	J25-49	
	J43-47	
J10-50	*	GND
B404-J11 TO T501 GETC INTERFACE CH11		
J11-01		n/c
J11-02		n/c
J11-03		n/c
J11-04		n/c
J11-05	J26-21	TX VOICE CH11 R
J11-06	J26-22	TX VOICE CH11 T
J11-07	J27-21	RX VOICE CH11 R
J11-08	J27-22	RX VOICE CH11 T
J11-09	J30-11	BYPASS CH11
J11-10	*	GND
J11-11		PTT OUT CH11
J11-12	#	PTT OUT RTN
J11-13		A/D OUT CH11
J11-14	@	A/D OUT RTN
J11-15	J31-21	PTT IN CH11
J11-16	J31-22	A/D IN TTL CH11
J11-17		PTT IN 232 CH11
J11-18		A/D IN 232 CH11
J11-19		PTT OUT 232 CH11

Continued

Continued

FROM	TO	FUNCTION	FROM	TO	FUNCTION
J11-20		+12V OUT CH11	J12-18		A/D IN 232 CH12
J11-21		n/c	J12-19		PTT OUT 232 CH12
J11-22		-12V OUT CH11	J12-20		+12V OUT CH12
J11-23		n/c	J12-21		n/c
J11-24	*	GND	J12-22		-12V OUT CH12
J11-25		n/c	J12-23		n/c
J11-26	*	GND	J12-24	*	GND
J11-27		n/c	J12-25		n/c
J11-28	*	GND	J12-26	*	GND
J11-29		VRXD CH11	J12-27		n/c
J11-30	*	GND	J12-28	*	GND
J11-31	J46-21	CLK TXD 232 CH11	J12-29		VRXD CH12
J11-32	*	GND	J12-30	*	GND
J11-33	J44-22	TXD 232 CH11	J12-31	J46-23	CLK TXD 232 CH12
J11-34	*	GND	J12-32	*	GND
J11-35	J35-21	150 IN 232 CH11	J12-33	J44-24	TXD 232 CH12
J11-36		150D GOUT CH11	J12-34	*	GND
J11-37		n/c	J12-35	J35-22	150 IN 232 CH12
J11-38	*	GND	J12-36		150D GOUT CH12
J11-39	J38-33	USDATOUT11A	J12-37		n/c
J11-40	*	GND	J12-38	*	GND
J11-41		9.6D GOUT CH11	J12-39	J38-45	USDATOUT12A
J11-42		9.6C GOUT CH11	J12-40	*	GND
J11-43		n/c	J12-41		9.6D GOUT CH12
J11-44	*	GND	J12-42		9.6C GOUT CH12
J11-45		n/c	J12-43		n/c
J11-46		n/c	J12-44	*	GND
J11-47		n/c	J12-45		n/c
J11-48		n/c	J12-46		n/c
J11-49	J01-49	SEL2 OUT A	J12-47		n/c
	J06-49		J12-48		n/c
	J16-49		J12-49	J02-49	SEL 2 OUT B
	J21-49			J07-49	
	J43-43			J17-49	
J11-50	*	GND		J22-49	
B404-J12 TO T501 GETC INTERFACE CH12				J43-44	
J12-02		n/c	J12-50	*	GND
J12-03		n/c	B404-J13 TO T501 GETC INTERFACE CH13		
J12-04		n/c	J13-01		n/c
J12-05	J26-23	TX VOICE CH12 R	J13-02		n/c
J12-06	J26-24	TX VOICE CH12 T	J13-03		n/c
J12-07	J27-23	RX VOICE CH12 R	J13-04		n/c
J12-08	J27-24	RX VOICE CH12 T	J13-05	J26-25	TX VOICE CH13 R
J12-09	J30-12	BYPASSCH12	J13-06	J26-26	TX VOICE CH13 T
J12-10	*	GND	J13-07	J27-25	RX VOICE CH13 R
J12-11		PTT OUT CH12	J13-08	J27-26	RX VOICE CH13 T
J12-12	#	PTT OUT RTN	J13-09	J30-13	BYPASS CH13
J12-13		A/D OUT CH12	J13-10	*	GND
J12-14	@	A/D OUT RTN	J13-11		PTT OUT CH13
J12-15	J31-23	PTT IN CH12	J13-12	#	PTT OUT RTN
J12-16	J31-24	A/D IN TTL CH12	J13-13		A/D OUT CH13
J12-17		PTT IN 232 CH12	J13-14	@	A/D OUT RTN

Continued

Continued

<u>FROM</u>	<u>TO</u>	<u>FUNCTION</u>
J13-15	J31-25	PTT IN CH13
J13-16	J31-26	A/D IN TTL CH13
J13-17		PTT IN 232 CH13
J13-18		A/D IN 232 CH13
J13-19		PTT OUT 232 CH13
J13-20		+12V OUT CH13
J13-21		n/c
J13-22		-12V OUT CH13
J13-23		n/c
J13-24	*	GND
J13-25		n/c
J13-26	*	GND
J13-27		n/c
J13-28	*	GND
J13-29		VRXD CH13
J13-30	*	GND
J13-31	J46-25	CLK TXD 232 CH13
J13-32	*	GND
J13-33	J44-26	TXD 232 CH13
J13-34	*	GND
J13-35	J35-23	150 IN 232 CH13
J13-36		150D GOUT CH13
J13-37		n/c
J13-38	*	GND
J13-39	J39-09	USDATOUT13A
J13-40	*	GND
J13-41		9.6D GOUT CH13
J13-42		9.6C GOUT CH13
J13-43		n/c
J13-44	*	GND
J13-45		n/c
J13-46		n/c
J13-47		n/c
J13-48		n/c
J13-49	J03-49	SEL 2 OUT C
	J08-49	
	J18-49	
	J23-49	
	J43-45	
J13-50	*	GND
B404-J14 TO T501 GETC INTERFACE CH14		
J14-01		n/c
J14-02		n/c
J14-03		n/c
J14-04		n/c
J14-05	J26-27	TX VOICE CH14 R
J14-06	J26-28	TX VOICE CH14 T
J14-07	J27-27	RX VOICE CH14 R
J14-08	J27-28	RX VOICE CH14 T
J14-09	J30-14	BYPASS CH14
J14-10	*	GND
J14-11		PTT OUT CH14

<u>FROM</u>	<u>TO</u>	<u>FUNCTION</u>
J14-12	#	PTT OUT RTN
J14-13		A/D OUT CH14
J14-14	@	A/D OUT RTN
J14-15	J31-27	PTT IN CH14
J14-16	J31-28	A/D IN TTL CH14
J14-17		PTT IN 232 CH14
J14-18		A/D IN 232 CH14
J14-19		PTT OUT 232 CH14
J14-20		+12V OUT CH14
J14-21		n/c
J14-22		-12V OUT CH14
J14-23		n/c
J14-24	*	GND
J14-25		n/c
J14-26	*	GND
J14-27		n/c
J14-28	*	GND
J14-29		VRXD CH14
J14-30	*	GND
J14-31	J46-27	CLK TXD 232 CH14
J14-32	*	GND
J14-33	J44-28	TXD 232 CH14
J14-34	*	GND
J14-35	J35-24	150 IN 232 CH14
J14-36		150D GOUT CH14
J14-37		n/c
J14-38	*	GND
J14-39	J39-21	USDATOUT14A
J14-40	*	GND
J14-41		9.6D GOUT CH14
J14-42		9.6C GOUT CH14
J14-43		n/c
J14-44	*	GND
J14-45		n/c
J14-46		n/c
J14-47		n/c
J14-48		n/c
J14-49	J04-49	SEL 2 OUT D
	J09-49	
	J19-49	
	J24-49	
	J43-46	
J14-50	*	GND
B404-J15 TO T501 GETC INTERFACE CH15		
J15-01		n/c
J15-02		n/c
J15-03		n/c
J15-04		n/c
J15-05	J26-29	TX VOICE CH15 R
J15-06	J26-30	TX VOICE CH15 T
J15-07	J27-29	RX VOICE CH15 R
J15-08	J27-30	RX VOICE CH15 T

Continued

Continued

<u>FROM</u>	<u>TO</u>	<u>FUNCTION</u>
J15-09	J30-15	BYPASS CH15
J15-10	*	GND
J15-11		PTT OUT CH15
J15-12	#	PTT OUT RTN
J15-13		A/D OUT CH15
J15-14	@	A/D OUT RTN
J15-15	J31-29	PTT IN CH15
J15-16	J31-30	A/D IN TTL CH15
J15-17		PTT IN 232 CH15
J15-18		A/D IN 232 CH15
J15-19		PTT OUT 232 CH15
J15-20		+12V OUT CH15
J15-21		n/c
J15-22		-12V OUT CH15
J15-23		n/c
J15-24	*	GND
J15-25		n/c
J15-26	*	GND
J15-27		n/c
J15-28	*	GND
J15-29		VRXD CH15
J15-30	*	GND
J15-31	J46-29	CLK TXD 232 CH15
J15-32	*	GND
J15-33	J44-30	TXD 232 CH15
J15-34	*	GND
J15-35	J35-25	150 IN 232 CH15
J15-36		150D GOUT CH15
J15-37		n/c
J15-38	*	GND
J15-39	J39-33	USDATOUT15A
J15-40	*	GND
J15-41		9.6D GOUT CH15
J15-42		9.6C GOUT CH15
J15-43		n/c
J15-44	*	GND
J15-45		n/c
J15-46		n/c
J15-47		n/c
J15-48		n/c
J15-49	J05-49	SEL 2 OUT E
	J10-49	
	J20-49	
	J25-49	
	J43-47	
J15-50	*	GND
B404-J16 TO T501 GETC INTERFACE CH16		
J16-01		n/c
J16-02		n/c
J16-03		n/c
J16-04		n/c
J16-05	J26-31	TX VOICE CH16 R

<u>FROM</u>	<u>TO</u>	<u>FUNCTION</u>
J16-06	J26-32	TX VOICE CH16 T
J16-07	J27-31	RX VOICE CH16 R
J16-08	J27-32	RX VOICE CH16 T
J16-09	J30-16	BYPASS CH16
J16-10	*	GND
J16-11		PTT OUT CH16
J16-12	#	PTT OUT RTN
J16-13		A/D OUT CH16
J16-14	@	A/D OUT RTN
J16-15	J31-31	PTT IN CH16
J16-16	J31-32	A/D IN TTL CH16
J16-17		PTT IN 232 CH16
J16-18		A/D IN 232 CH16
J16-19		PTT OUT 232 CH16
J16-20		+12V OUT CH16
J16-21		n/c
J16-22		-12V OUT CH16
J16-23		n/c
J16-24	*	GND
J16-25		n/c
J16-26	*	GND
J16-27		n/c
J16-28	*	GND
J16-29		VRXD CH16
J16-30	*	GND
J16-31	J46-31	CLK TXD 232 CH16
J16-32	*	GND
J16-33	J44 -32	TXD 232 CH16
J16-34	*	GND
J16-35	J35-26	150 IN 232 CH16
J16-36		150D GOUT CH16
J16-37		n/c
J16-38	*	GND
J16-39	J39-45	USDATOUT16A
J16-40	*	GND
J16-41		9.6D GOUT CH16
J16-42		9.6C GOUT CH16
J16-43		n/c
J16-44	*	GND
J16-45		n/c
J16-46		n/c
J16-47		n/c
J16-48		n/c
J16-49	J01-49	SEL 2 OUT A
	J06-49	
	J11-49	
	J21-49	
	J43-43	
J16-50	*	GND
B404-J17 TO T501 GETC INTERFACE CH17		
J17-01		n/c
J17-02		n/c

Continued

Continued

FROM	TO	FUNCTION
J17-03		n/c
J17-04		n/c
J17-05	J26-33	TX VOICE CH17 R
J17-06	J26-34	TX VOICE CH17 T
J17-07	J27-33	RX VOICE CH17 R
J17-08	J27-34	RX VOICE CH17 T
J17-09	J30-17	BYPASS CH17
J17-10	*	GND
J17-11		PTT OUT CH17
J17-12	#	PTT OUT RTN
J17-13		A/D OUT CH17
J17-14	@	A/D OUT RTN
J17-15	J31-33	PTT IN CH17
J17-16	J31-34	A/D IN TTL CH17
J17-17		PTT IN 232 CH17
J17-18		A/D IN 232 CH17
J17-19		PTT OUT 232 CH17
J17-20		+12V OUT CH17
J17-21		n/c
J17-22		-12V OUT CH17
J17-23		n/c
J17-24	*	GND
J17-25		n/c
J17-26	*	GND
J17-27		n/c
J17-28	*	GND
J17-29		VRXD CH17
J17-30	*	GND
J17-31	J46-33	CLK TXD 232 CH17
J17-32	*	GND
J17-33	J44-34	TXD 232 CH17
J17-34	*	GND
J17-35		150 IN 232 CH17
J17-36	J35-27	150D GOUT CH17
J17-37		n/c
J17-38	*	GND
J17-39	J40-09	USDATOUT17A
J17-40	*	GND
J17-41		9.6D GOUT CH17
J17-42		9.6C GOUT CH17
J17-43		n/c
J17-44	*	GND
J17-45		n/c
J17-46		n/c
J17-47		n/c
J17-48		n/c
J17-49	J02-49	SEL 2 OUT B
	J07-49	
	J12-49	
	J22-49	
	J43-44	
J17-50	*	GND

FROM	TO	FUNCTION
B404-J18 TO T501 GETC INTERFACE CH18		
J18-01		n/c
J18-02		n/c
J18-03		n/c
J18-04		n/c
J18-05	J26-35	TX VOICE CH18 R
J18-06	J26-36	TX VOICE CH18 T
J18-07	J27-35	RX VOICE CH18 R
J18-08	J27-36	RX VOICE CH18 T
J18-09	J30-18	BYPASS CH18
J18-10	*	GND
J18-11		PTT OUT CH18
J18-12	#	PTT OUT RTN
J18-13		A/D OUT CH18
J18-14	@	A/D OUT RTN
J18-15	J31-35	PTT IN CH18
J18-16	J31-36	A/D IN TTL CH18
J18-17		PTT IN 232 CH18
J18-18		A/D IN 232 CH18
J18-19		PTT OUT 232 CH18
J18-20		+12V OUT CH18
J18-21		n/c
J18-22		-12V OUT CH18
J18-23		n/c
J18-24	*	GND
J18-25		n/c
J18-26	*	GND
J18-27		n/c
J18-28	*	GND
J18-29		VRXD CH18
J18-30	*	GND
J18-31	J46-35	CLK TXD 232 CH18
J18-32	*	GND
J18-33	J44-36	TXD 232 CH18
J18-34	*	GND
J18-35	J35-28	150 IN 232 CH18
J18-36		150D GOUT CH18
J18-37		n/c
J18-38	*	GND
J18-39	J40-21	USDATOUT18A
J18-40	*	GND
J18-41		9.6D GOUT CH18
J18-42		9.6C GOUT CH18
J18-43		n/c
J18-44	*	GND
J18-45		n/c
J18-46		n/c
J18-47		n/c
J18-48		n/c
J18-49	J03-49	SEL 2 OUT C
	J08-49	
	J13-49	

Continued

Continued

<u>FROM</u>	<u>TO</u>	<u>FUNCTION</u>
	J23-49	
	J43-45	
J18-50	*	GND
B404-J19 TO T501 GETC INTERFACE CH19		
J19-01		n/c
J19-02		n/c
J19-03		n/c
J19-04		n/c
J19-05	J26-37	TX VOICE CH19 R
J19-06	J26-38	TX VOICE CH19 T
J19-07	J27-37	RX VOICE CH19R
J19-08	J27-38	RX VOICE CH19 T
J19-09	J30-19	BYPASS CH19
J19-10	*	GND
J19-11		PTT OUT CH19
J19-12	#	PTT OUT RTN
J19-13		A/D OUT CH19
J19-14	@	A/D OUT RTN
J19-15	J31-37	PTT IN CH19
J19-16	J31-38	A/D IN TTL CH19
J19-17		PTT IN 232 CH19
J19-18		A/D IN 232 CH19
J19-19		PTT OUT 232 CH19
J19-20		+12V OUT CH19
J19-21		n/c
J19-22		-12V OUT CH19
J19-23		n/c
J19-24	*	GND
J19-25		n/c
J19-26	*	GND
J19-27		n/c
J19-28	*	GND
J19-29		VRXD CH19
J19-30	*	GND
J19-31	J46-37	CLK TXD 232 CH19
J19-32	*	GND
J19-33	J44-38	TXD 232 CH19
J19-34	*	GND
J19-35	J35-29	150 IN 232 CH19
J19-36		150D GOUT CH19
J19-37		n/c
J19-38		GND
J19-39		USDATOUT19A
J19-40	*	GND
J19-41		9.6D GOUT CH19
J19-42		9.6C GOUT CH19
J19-43		n/c
J19-44	*	GND
J19-45		n/c
J19-46		n/c
J19-47		n/c
J19-48		n/c

<u>FROM</u>	<u>TO</u>	<u>FUNCTION</u>
J19-49	J04-49	SEL 2 OUT D
	J09-49	
	J14-49	
	J24-49	
	J43-46	
J19-50	*	GND
B404-J20 TO T501 GETC INTERFACE CH20		
J20-01		n/c
J20-02		n/c
J20-03		n/c
J20-04		n/c
J20-05	J26-39	TX VOICE CH20 R
J20-06	J26-40	TX VOICE CH20 T
J20-07	J27-39	RX VOICE CH20 R
J20-08	J27-40	RX VOICE CH20 T
J20-09	J30-20	BYPASS CH20
J20-10	*	GND
J20-11		PTT OUT CH20
J20-12	#	PTT OUT RTN
J20-13		A/D OUT CH20
J20-14	@	A/D OUT RTN
J20-15	J31-39	PTT IN CH20
J20-16	J31-40	A/D IN TTL CH20
J20-17		PTT IN 232 CH20
J20-18		A/D IN 232 CH20
J20-19		PTT OUT 232 CH20
J20-20		+12V OUT CH20
J20-21		n/c
J20-22		-12V OUT CH20
J20-23		n/c
J20-24	*	GND
J20-25		n/c
J20-26	*	GND
J20-27		n/c
J20-28	*	GND
J20-29		VRXD CH20
J20-30	*	GND
J20-31	J46-39	CLK TXD 232 CH20
J20-32	*	GND
J20-33	J44-40	TXD 232 CH20
J20-34	*	GND
J20-35	J35-30	150 IN 232 CH20
J20-36		150D GOUT CH20
J20-37		n/c
J20-38	*	GND
J20-39	J40-45	USDATOUT20A
J20-40	*	GND
J20-41		9.6D GOUT CH20
J20-42		9.6C GOUT CH20
J20-43		n/c
J20-44	*	GND
J20-45		n/c

Continued

Continued

<u>FROM</u>	<u>TO</u>	<u>FUNCTION</u>
J20-46		n/c
J20-47		n/c
J20-48		n/c
J20-49	J05-49 J10-49 J15-49 J25-49 J43-47	SEL 2 OUT E
J20-50	*	GND
B404-J21 TO T501 GETC INTERFACE CH21		
J21-01		n/c
J21-02		n/c
J21-03		n/c
J21-04		n/c
J21-05	J26-41	TX VOICE CH21 R
J21-06	J26-42	TX VOICE CH21 T
J21-07	J27-41	RX VOICE CH21 R
J21-08	J27-42	RX VOICE CH21 T
J21-09	J30-21	BYPASS CH21
J21-10	*	GND
J21-11		PTT OUT CH21
J21-12	#	PTT OUT RTN
J21-13		A/D OUT CH21
J21-14	@	A/D OUT RTN
J21-15	J31-41	PTT IN CH21
J21-16	J31-42	A/D IN TTL CH21
J21-17		PTT IN 232 CH21
J21-18		A/D IN 232 CH21
J21-19		PTT OUT 232 CH21
J21-20		+12V OUT CH21
J21-21		n/c
J21-22		-12V OUT CH21
J21-23		n/c
J21-24	*	GND
J21-25		n/c
J21-26	*	GND
J21-27		n/c
J21-28	*	GND
J21-29		VRXD CH21
J21-30	*	GND
J21-31	J46-41	CLK TXD 232 CH21
J21-32	*	GND
J21-33	J44-42	TXD 232 CH21
J21-34	*	GND
J21-35	J35-31	150 IN 232 CH21
J21-36		150D GOUT CH21
J21-37		n/c
J21-38	*	GND
J21-39	J41-09	USDATOUT21A
J21-40	*	GND
J21-41		9.6D GOUT CH21
J21-42		9.6C GOUT CH21

<u>FROM</u>	<u>TO</u>	<u>FUNCTION</u>
J21-43		n/c
J21-44	*	GND
J21-45		n/c
J21-46		n/c
J21-47		n/c
J21-48		n/c
J21-49	J01-49 J06-49 J11-49 J16-49 J43-43	SEL 2 OUT A
J21-50	*	GND
B404-J21 TO T501 GETC INTERFACE CH21		
J22-01		n/c
J22-02		n/c
J22-03		n/c
J22-04		n/c
J22-05	J26-43	TX VOICE CH22 R
J22-06	J26-44	TX VOICE CH22 T
J22-07	J27-43	RX VOICE CH22 R
J22-08	J27-44	RX VOICE CH22 T
J22-09	J30-22	BYPASS CH22
J22-10	*	GND
J22-11		PTT OUT CH22
J22-12	#	PTT OUT RTN
J22-13		A/D OUT CH22
J22-14	@	A/D OUT RTN
J22-15	J31-43	PTT IN CH22
J22-16	J31-44	A/D IN TTL CH22
J22-17		PTT IN 232 CH22
J22-18		A/D IN 232 CH22
J22-19		PTT OUT 232 CH22
J22-20		+12V OUT CH22
J22-21		n/c
J22-22		-12V OUT CH22
J22-23		n/c
J22-24	*	GND
J22-25		n/c
J22-26	*	GND
J22-27		n/c
J22-28	*	GND
J22-29		VRXD CH22
J22-30	*	GND
J22-31	J46-43	CLK TXD 232 CH22
J22-32	*	GND
J22-33	J44-44	TXD 232 CH22
J22-34	*	GND
J22-35	J35-32	150 IN 232 CH22
J22-36		150D GOUT CH22
J22-37		n/c
J22-38	*	GND
J22-39	J41-21	USDATOUT22A

Continued

Continued

<u>FROM</u>	<u>TO</u>	<u>FUNCTION</u>
J22-40	*	GND
J22-41		9.6D GOUT CH22
J22-42		9.6C GOUT CH22
J22-43		n/c
J22-44	*	GND
J22-45		n/c
J22-46		n/c
J22-47		n/c
J22-48		n/c
J22-49	J02-49	SEL 2 OUT B
	J07-49	
	J12-49	
	J17-49	
	J43-44	
J22-50	*	GND
B404-J23 TO T501 GETC INTERFACE CH23		
J23-01		n/c
J23-02		n/c
J23-03		n/c
J23-04		n/c
J23-05	J26-45	TX VOICE CH23 R
J23-06	J26-46	TX VOICE CH23 T
J23-07	J27-45	RX VOICE CH23 R
J23-08	J27-46	RX VOICE CH23 T
J23-09	J30-23	BYPASS CH23
J23-10	*	GND
J23-11		PTT OUT CH23
J23-12	#	PTT OUT RTN
J23-13		A/D OUT CH23
J23-14	@	A/D OUT RTN
J23-15	J31-45	PTT IN CH23
J23-16	J31-46	A/D IN TTL CH23
J23-17		PTT IN 232 CH23
J23-18		A/D IN 232 CH23
J23-19		PTT OUT 232 CH23
J23-20		+12V OUT CH23
J23-21		n/c
J23-22		-12V OUT CH23
J23-23		n/c
J23-24	*	GND
J23-25		n/c
J23-26	*	GND
J23-27		n/c
J23-28	*	GND
J23-29		VRXD CH23
J23-30	*	GND
J23-31	J46-45	CLK TXD 232 CH23
J23-32	*	GND
J23-33	J44-46	TXD 232 CH23
J23-34	*	GND
J23-35	J35-33	150 IN 232 CH23
J23-36		150D GOUT CH23

<u>FROM</u>	<u>TO</u>	<u>FUNCTION</u>
J23-37		n/c
J23-38	*	GND
J23-39	J41-33	USDATOUT23A
J23-40	*	GND
J23-41		9.6D GOUT CH23
J23-42		9.6C GOUT CH23
J23-43		n/c
J23-44	*	GND
J23-45		n/c
J23-46		n/c
J23-47		n/c
J23-48		n/c
J23-49	J03-49	SEL 2 OUT C
	J08-49	
	J13-49	
	J18-49	
	J43-45	
J23-50	*	GND
B404-J24 TO T501 GETC INTERFACE CH24		
J24-01		n/c
J24-02		n/c
J24-03		n/c
J24-04		n/c
J24-05	J26-47	TX VOICE CH24 R
J24-06	J26-48	TX VOICE CH24 T
J24-07	J27-47	RX VOICE CH24 R
J24-08	J27-48	RX VOICE CH24 T
J24-09	J30-24	BYPASS CH24
J24-10	*	GND
J24-11		PTT OUT CH24
J24-12	#	PTT OUT RTN
J24-13		A/D OUT CH24
J24-14	@	A/D OUT RTN
J24-15	J31-47	PTT IN CH24
J24-16	J31-48	A/D IN TTL CH24
J24-17		PTT IN 232 CH24
J24-18		A/D IN 232 CH24
J24-19		PTT OUT 232 CH24
J24-20		+12V OUT CH24
J24-21		n/c
J24-22		-12V OUT CH24
J24-23		n/c
J24-24	*	GND
J24-25		n/c
J24-26	*	GND
J24-27		n/c
J24-28	*	GND
J24-29		VRXD CH24
J24-30	*	GND
J24-31	J46-47	CLK TXD 232 CH24
J24-32	*	GND
J24-33	J44-48	TXD 232 CH24

Continued

Continued

FROM	TO	FUNCTION
J24-34	*	GND
J24-35	J35-34	150 IN 232 CH24
J24-36		150D GOUT CH24
J24-37		n/c
J24-38	*	GND
J24-39	J41-45	USDATOUT24A
J24-40	*	GND
J24-41		9.6D GOUT CH24
J24-42		9.6C GOUT CH24
J24-43		n/c
J24-44	*	GND
J24-45		n/c
J24-46		n/c
J24-47		n/c
J24-48		n/c
J24-49	J04-49	SEL 2 OUT D
	J09-49	
	J14-49	
	J19-49	
	J43-46	
J24-50	*	GND

B404-J26 TO T600 JACKFIELD

J26-01	J01-05	TX VOICE CH01 R
J26-02	J01-06	TX VOICE CH01 T
J26-03	J02-05	TX VOICE CH02 R
J26-04	J02-06	TX VOICE CH02 T
J26-05	J03-05	TX VOICE CH03 R
J26-06	J03-06	TX VOICE CH03 T
J26-07	J04-05	TX VOICE CH04 R
J26-08	J04-06	TX VOICE CH04 T
J26-09	J05-05	TX VOICE CH05 R
J26-10	J05-06	TX VOICE CH05 T
J26-11	J06-05	TX VOICE CH06 R
J26-12	J06-06	TX VOICE CH06 T
J26-13	J07-05	TX VOICE CH07 R
J26-14	J07-06	TX VOICE CH07 T
J26-15	J08-05	TX VOICE CH08 R
J26-16	J08-06	TX VOICE CH08 T
J26-17	J09-05	TX VOICE CH09 R
J26-18	J09-06	TX VOICE CH09 T
J26-19	J10-05	TX VOICE CH10 R
J26-20	J10-06	TX VOICE CH10 T
J26-21	J11-05	TX VOICE CH11 R
J26-22	J11-06	TX VOICE CH11 T
J26-23	J12-05	TX VOICE CH12 R
J26-24	J12-06	TX VOICE CH12 T
J26-25	J13-05	TX VOICE CH13 R
J26-26	J13-06	TX VOICE CH13 T
J26-27	J14-05	TX VOICE CH14 R
J26-28	J14-06	TX VOICE CH14 T
J26-29	J15-05	TX VOICE CH15 R
J26-30	J15-06	TX VOICE CH15 T

FROM	TO	FUNCTION
J26-31	J16-05	TX VOICE CH16 R
J26-32	J16-06	TX VOICE CH16 T
J26-33	J17-05	TX VOICE CH17 R
J26-34	J17-06	TX VOICE CH17 T
J26-35	J18-05	TX VOICE CH18 R
J26-36	J18-06	TX VOICE CH18 T
J26-37	J19-05	TX VOICE CH19 R
J26-38	J19-06	TX VOICE CH19 T
J26-39	J20-05	TX VOICE CH20 R
J26-40	J20-06	TX VOICE CH20 T
J26-41	J21-05	TX VOICE CH21 R
J26-42	J21-06	TX VOICE CH21 T
J26-43	J22-05	TX VOICE CH22 R
J26-44	J22-06	TX VOICE CH22 T
J26-45	J23-05	TX VOICE CH23 R
J26-46	J23-06	TX VOICE CH23 T
J26-47	J24-05	TX VOICE CH24 R
J26-48	J24-06	TX VOICE CH24 T
J26-49	n/c	
J26-50	n/c	

B404-J27 TO T600 JACKFIELD

J27-01	J01-07	RX VOICE CH01 R
J27-02	J01-08	RX VOICE CH01 T
J27-03	J02-07	RX VOICE CH02 R
J27-04	J02-08	RX VOICE CH02 T
J27-05	J03-07	RX VOICE CH03 R
J27-06	J03-08	RX VOICE CH03 T
J27-07	J04-07	RX VOICE CH04 R
J27-08	J04-08	RX VOICE CH04 T
J27-09	J05-07	RX VOICE CH05 R
J27-10	J05-08	RX VOICE CH05 T
J27-11	J06-07	RX VOICE CH06 R
J27-12	J06-08	RX VOICE CH06 T
J27-13	J07-07	RX VOICE CH07 R
J27-14	J07-08	RX VOICE CH07 T
J27-15	J08-07	RX VOICE CH08 R
J27-16	J08-08	RX VOICE CH08 T
J27-17	J09-07	RX VOICE CH09 R
J27-18	J09-08	RX VOICE CH09 T
J27-19	J10-07	RX VOICE CH10 R
J27-20	J10-08	RX VOICE CH10 T
J27-21	J11-07	RX VOICE CH11 R
J27-22	J11-08	RX VOICE CH11 T
J27-23	J12-07	RX VOICE CH12 R
J27-24	J12-08	RX VOICE CH12 T
J27-25	J13-07	RX VOICE CH13 R
J27-26	J13-08	RX VOICE CH13 T
J27-27	J14-07	RX VOICE CH14 R
J27-28	J14-08	RX. VOICE CH14 T
J27-29	J15-07	RX VOICE CH15 R
J27-30	J15-08	RX VOICE CH15 T
J27-31	J16-07	RX VOICE CH16 R

Continued

Continued

<u>FROM</u>	<u>TO</u>	<u>FUNCTION</u>	<u>PUNCH BLOCK</u>	<u>FROM</u>	<u>TO</u>	<u>FUNCTION</u>	<u>PUNCH BLOCK</u>
J27-32	J16-08	RX VOICE CH16 T		J28-33		n/c	PB08-17
J27-33	J17-07	RX VOICE CH17 R		J28-34		n/c	PB08-42
J27-34	J17-08	RX VOICE CH17 T		J28-35		n/c	PB08-18
J27-35	J18-07	RX VOICE CH18 R		J28-36		n/c	PB08-43
J27-36	J18-08	RX VOICE CH18 T		J28-37		n/c	PB08-19
J27-37	J19-07	RX VOICE CH19 R		J28-38		n/c	PB08-44
J27-38	J19-08	RX VOICE CH19 T		J28-39		n/c	PB08-20
J27-39	J20-07	RX VOICE CH20 R		J28-40		n/c	PB08-45
J27-40	J20-08	RX VOICE CH20 T		J28-41		n/c	PB08-21
J27-41	J21-07	RX VOICE CH21 R		J28-42		n/c	PB08-46
J27-42	J21-08	RX VOICE CH21 T		J28-43		n/c	PB08-22
J27-43	J22-07	RX VOICE CH22 R		J28-44		n/c	PB08-47
J27-44	J22-08	RX VOICE CH22 T		J28-45		n/c	PB08-23
J27-45	J23-07	RX VOICE CH23 R		J28-46		n/c	PB08-48
J27-46	J23-08	RX VOICE CH23 T		J28-47		n/c	PB08-24
J27-47	J24-07	RX VOICE CH24 R		J28-48		n/c	PB08-49
J27-48	J24-08	RX VOICE CH24 T		J28-49		n/c	PB08-25
J27-49	n/c			J28-50		n/c	PB08-50
J27-50	n/c						
B404-J28 TO JACKFIELD				B404-J30 TO PUNCH BLOCK 03T			
J28-01	J35-42	RX M 150 R		J30-01	J01-09	BYPASS CH01	PB03-01
J28-02	J35-41	RX M 150 T		J30-02	J02-09	BYPASS CH02	PB03-26
J28-03	J35-02	600 HZ MIN R		J30-03	J03-09	BYPASS CH03	PB03-02
J28-04	J35-01	600 HZ MIN T		J30-04	J04-09	BYPASS CH04	PB03-27
J28-05	J35-04	2400 HZ MIN R		J30-05	J05-09	BYPASS CH05	PB03-03
J28-06	J35-03	2400 HZ MIN T		J30-06	J06-09	BYPASS CH06	PB03-28
J28-07	n/c			J30-07	J07-09	BYPASS CH07	PB03-04
J28-08	n/c			J30-08	J08-09	BYPASS CH08	PB03-29
J28-09	n/c			J30-09	J09-09	BYPASS CH09	PB03-05
J28-10	n/c			J30-10	J10-09	BYPASS CH10	PB03-30
J28-11	n/c			J30-11	J11-09	BYPASS CH11	PB03-06
J28-12	n/c			J30-12	J12-09	BYPASS CH12	PB03-31
J28-13	n/c			J30-13	J13-09	BYPASS CH13	PB03-07
J28-14	n/c			J30-14	J14-09	BYPASS CH14	PB03-32
J28-15	n/c			J30-15	J15-09	BYPASS CH15	PB03-08
J28-16	n/c			J30-16	J16-09	BYPASS CH16	PB03-33
J28-17	n/c			J30-17	J17-09	BYPASS CH17	PB03-0
J28-18	n/c			J30-18	J18-09	BYPASS CH18	PB03-34
J28-19	n/c			J30-19	J19-09	BYPASS CH19	PB03-10
J28-20		n/c	PB08-35	J30-20	J20-09	BYPASS CH20	PB03-35
J28-21		n/c	PB08-11	J30-21	J21-09	BYPASS CH21	PB03-11
J28-22		n/c	PB08-36	J30-22	J22-09	BYPASS CH22	PB03-36
J28-23		n/c	PB08-12	J30-23	J23-09	BYPASS CH23	PB03-12
J28-24		n/c	PB08-37	J30-24	J24-09	BYPASS CH24	PB03-37
J28-25		n/c	PB08-13	J30-25	n/c		PB03-13
J28-26		n/c	PB08-38	J30-26	*	GND	PB03-38
J28-27		n/c	PB08-14	J30-27	*	GND	PB03-14
J28-28		n/c	PB08-39	J30-28	*	GND	PB03-39
J28-29		n/c	PB08-15	J30-29	*	GND	PB03-15
J28-30		n/c	PB08-40	J30-30	*	GND	PB03-40
J28-31		n/c	PB08-16	J30-31	J32-17	ALARM13	PB03-16
J28-32		n/c	PB08-41	J30-32	J32-18	ALARM14	PB03-41
				J30-33	J32-19	ALARM15	PB03-17

Continued

Continued

<u>FROM</u>	<u>TO</u>	<u>FUNCTION</u>	<u>PUNCH BLOCK</u>
J30-34	J32-20	ALARM16	PB03-42
J30-35	J32-21	ALARM17	PB03-18
J30-36	J32-22	ALARM18	PB03-43
J30-37	J32-23	ALARM19	PB03-19
J30-38	J32-24	ALARM20	PB03-44
J30-39	J32-25	ALARM21	PB03-20
J30-40	J32-26	ALARM22	PB03-45
J30-41		n/c	PB03-21
J30-42		n/c	PB03-46
J30-43		n/c	PB03-22
J30-44		n/c	PB03-47
J30-45	J33-03	R1 COM	PB03-23
J30-46	J33-05	R1 NC	PB03-48
J30-47	J33-07	R1 NO	PB03-24
J30-48	J33-04	R2 COM	PB03-49
J30-49	J33-06	R2 NC	PB03-25
J30-50	J33-08	R2 NO	PB03-50

B404-J31 TO PTT MODULE J1

J31-01	J01-15	PTT IN CH01	
J31-02	J01-16	A/D IN TTL CH01	
J31-03	J02-15	PTT IN CH02	
J31-04	J02-16	A/D IN TTL CH02	
J31-05	J03-15	PTT IN CH03	
J31-06	J03-16	A/D IN TTL CH03	
J31-07	J04-15	PTT IN CH04	
J31-08	J04-16	A/D IN TTL CH04	
J31-09	J05-15	PTT IN CH05	
J31-10	J05-16	A/D IN TTL CH05	
J31-11	J06-15	PTT IN CH06	
J31-12	J06-16	A/D IN TTL CH06	
J31-13	J07-15	PTT IN CH07	
J31-14	J07-16	A/D IN TTL CH07	
J31-15	J08-15	PTT IN CH08	
J31-16	J08-16	A/D IN TTL CH08	
J31-17	J09-15	PTT IN CH09	
J31-18	J09-16	A/D IN TTL CH09	
J31-19	J10-15	PTT IN CH10	
J31-20	J10-16	A/D IN TTL CH10	
J31-21	J11-15	PTT IN CH11	
J31-22	J11-16	A/D IN TTL CH11	
J31-23	J12-15	PTT IN CH12	
J31-24	J12-16	A/D IN TTL CH12	
J31-25	J13-15	PTT IN CH13	
J31-26	J13-16	A/D IN TTL CH13	
J31-27	J14-15	PTT INCH14	
J31-28	J14-16	A/D IN TTL CH14	
J31-29	J15-15	PTT IN CH15	
J31-30	J15-16	A/D IN TTL CH15	
J31-31	J16-15	PTT IN CH16	
J31-32	J16-16	A/D IN TTL CH16	
J31-33	J17-15	PTT IN CH17	
J31-34	J17-16	A/D IN TTL CH17	

<u>FROM</u>	<u>TO</u>	<u>FUNCTION</u>	<u>PUNCH BLOCK</u>
J31-35	J18-15	PTT IN CH18	
J31-36	J18-16	A/D IN TTL CH18	
J31-37	J19-15	PTT IN CH19	
J31-38	J19-16	A/D IN TTL CH19	
J31-39	J20-15	PTT IN CH20	
J31-40	J20-16	A/D IN TTL CH20	
J31-41	J21-15	PTT INCH21	
J31-42	J21-16	A/D IN TTL CH21	
J31-43	J22-15	PTT IN CH22	
J31-44	J22-16	A/D IN TTL CH22	PB04-47
J31-45	J23-15	PTT IN CH23	PB04-23
J31-46	J23-16	A/D IN TTL CH23	PB04-48
J31-47	J24-15	PTT INCH24	PB04-24
J31-48	J24-16	A/D IN TTL CH24	PB04-49
J31-49	n/c		
J31-50	n/c		

B404-J32 TO T800 ALARM IN

J32-01		n/c	
J32-02		n/c	
J32-03		n/c	
J32-04		n/c	
J32-05		n/c	
J32-06		n/c	
J32-07		n/c	
J32-08		n/c	
J32-09		n/c	
J32-10		n/c	
J32-11		n/c	
J32-12		n/c	
J32-13		n/c	
J32-14		n/c	
J32-15		n/c	
J32-16		n/c	
J32-17	J30-31	ALARM13	
J32-18	J30-32	ALARM14	
J32-19	J30-33	ALARM15	
J32-20	J30-34	ALARM16	
J32-21	J30-35	ALARM17	
J32-22	J30-36	ALARM18	
J32-23	J30-37	ALARM19	
J32-24	J30-38	ALARM20	
J32-25	J30-39	ALARM21	
J32-26	J30-40	ALARM22	
J32-27		n/c	
J32-28		n/c	
J32-29		n/c	
J32-30		n/c	
J32-31		n/c	
J32-32		n/c	
J32-33		n/c	
J32-34		n/c	
J32-35		n/c	

Continued

Continued

<u>FROM</u>	<u>TO</u>	<u>FUNCTION</u>	<u>PUNCH BLOCK</u>	<u>FROM</u>	<u>TO</u>	<u>FUNCTION</u>	<u>PUNCH BLOCK</u>
J32-36		n/c		J33-37		n/c	
J32-37		n/c		J33-38		n/c	
J32-38		n/c		J33-39		n/c	
J32-39		n/c		J33-40		n/c	
J32-40		n/c		J33-41		n/c	
J32-41		n/c		J33-42		n/c	
J32-42		n/c		J33-43		n/c	
J32-43		n/c		J33-44		n/c	
J32-44		n/c		J33-45		n/c	
J32-45		n/c		J33-46		n/c	
J32-46		n/c		J33-47		n/c	
J32-47		n/c		J33-48		n/c	
J32-48		n/c		J33-49		n/c	
J32-49		n/c		J33-50		n/c	
J32-50		n/c					
B404-J33 TO T800 ALARM OUT				B404-J35 TO T800 FSK MODEM			
J33-01	*	GND		J35-01	J28-04	300 HZ MIN T	
J33-02	*	GND		J35-02	J28-03	300 HZ MIN R	
J33-03	J30-45	R1 COM		J35-03	J28-06	2400 HZ MIN T	
J33-04	J30-48	R2 COM		J35-04	J28-05	2400 HZ MIN R	
J33-05	J30-46	R1 NC		J35-05		300 HZ MOUT T	
J33-06	J30-49	R2 NC		J35-06		300 HZ MOUT R	
J33-07	J30-47	R1 NO		J35-07		2400 HZ MOUT T	
J33-08	J30-50	R2 NO		J35-08		2400 HZ MOUT R	
J33-09		n/c		J35-09		300 HZ M	
J33-10		n/c		J35-10		SYNCCTRL J	
J33-11		n/c		J35-11	J01-35	150 IN 232 CH01	
J33-12		n/c		J35-12	J02-35	150 IN 232 CH02	
J33-13		n/c		J35-13	J03-35	150 IN 232 CH03	
J33-14		n/c		J35-14	J04-35	150 IN 232 CH04	
J33-15		n/c		J35-15	J05-35	150 IN 232 CH05	
J33-16		n/c		J35-16	J06-35	150 IN 232 CH06	
J33-17		n/c		J35-17	J07-35	150 IN 232 CH07	
J33-18		n/c		J35-18	J08-35	150 IN 232 CH08	
J33-19		n/c		J35-19	J09-35	150 IN 232 CH09	
J33-20		n/c		J35-20	J10-35	150 IN 232 CH10	
J33-21		n/c		J35-21	J11-35	150 IN 232 CH11	
J33-22		n/c		J35-22	J12-35	150 IN 232 CH12	
J33-23		n/c		J35-23	J13-35	150 IN 232 CH13	
J33-24		n/c		J35-24	J14-35	150 IN 232 CH14	
J33-25		n/c		J35-25	J15-35	150 IN 232 CH15	
J33-26		n/c		J35-26	J16-35	150 IN 232 CH16	
J33-27		n/c		J35-27	J17-35	150 IN 232 CH17	
J33-28		n/c		J35-28	J18-35	150 IN 232 CH18	
J33-29		n/c		J35-29	J19-35	150 IN 232 CH19	
J33-30		n/c		J35-30	J20-35	150 IN 232 CH20	
J33-31		n/c		J35-31	J21-35	150 IN 232 CH21	
J33-32		n/c		J35-32	J22-35	150 IN 232 CH22	
J33-33		n/c		J35-33	J23-35	150 IN 232 CH23	
J33-34		n/c		J35-34	J24-35	150 IN 232 CH24	
J33-35		n/c		J35-35	n/c		
J33-36		n/c		J35-36		n/c	
				J35-37		n/c	

Continued

Continued

<u>FROM</u>	<u>TO</u>	<u>FUNCTION</u>	<u>PUNCH BLOCK</u>
J35-38		n/c	
J35-39		n/c	
J35-40		n/c	
J35-41	J28-02	RX M 150 T	
J35-42	J28-01	RX M 150 R	
J35-43		n/c	
J35-44		n/c	
J35-45		n/c	
J35-46		n/c	
J35-47		n/c	
J35-48		n/c	
J35-49		n/c	
J35-50		n/c	
B404-J36 TO T800 SYNC CNTRL CH1-4			
J36-01	*	GND	
J36-02	J45-01	9.6C GOUTA CH01	
J36-03	*	GND	
J36-04		9.6D GOUTA CH01	
J36-05	J47-02	USCLKOUT01A	
J36-06		USCLKOUT01B	
J36-07		USCLKOUT01C	
J36-08	*	GND	
J36-09		USDATOUT01A	
J36-10	J01-39	USDATOUT01B	
J36-11		USDATOUT01C	
J36-12	*	GND	
J36-13	*	GND	
J36-14	J45-03	9.6C GOUTA CH02	
J36-15	*	GND	
J36-16	J47-04	9.6D GOUTA CH02	
J36-17		USCLKOUT02A	
J36-18		USCLKOUT02B	
J36-19		USCLKOUT02C	
J36-20	*	GND	
J36-21		USDATOUT02A	
J36-22	J02-39	USDATOUT02B	
J36-23		USDATOUT02C	
J36-24	*	GND	
J36-25	*	GND	
J36-26	J45-05	9.6C GOUTA CH03	
J36-27	*	GND	
J36-28	J47-06	9.6D GOUTA CH03	
J36-29		USCLKOUT03A	
J36-30		USCLKOUT03B	
J36-31		USCLKOUT03C	
J36-32	*	GND	
J36-33	J03-39	USDATOUT03A	
J36-34		USDATOUT03B	
J36-35		USDATOUT03C	
J36-36	*	GND	
J36-37	*	GND	
J36-38	J45-07	9.6C GOUTA CH04	

<u>FROM</u>	<u>TO</u>	<u>FUNCTION</u>	<u>PUNCH BLOCK</u>
J36-39	*	GND	
J36-40		9.6D GOUTA CH04	
J36-41	J47-08	USCLKOUT04A	
J36-42		USCLKOUT04B	
J36-43		USCLKOUT04C	
J36-44	*	GND	
J36-45		USDATOUT04A	
J36-46	J04-39	USDATOUT04B	
J36-47		USDATOUT04C	
J36-48	*	GND	
J36-49	*	GND	
J36-50	*	GND	
B404-J37 TO T800 SYNC CNTRL CH5-8			
J37-01	*	GND	
J37-02	J45-09	9.6C GOUTA CH05	
J37-03	*	GND	
J37-04	J47-10	9.6D GOUTA CH05	
J37-05		USCLKOUT05A	
J37-06		USCLKOUT05B	
J37-07		USCLKOUT05C	
J37-08	*	GND	
J37-09		USDATOUT05A	
J37-10	J05-39	USDATOUT05B	
J37-11		USDATOUT05C	
J37-12	*	GND	
J37-13	*	GND	
J37-14	J45-11	9.6C GOUTA CH06	
J37-15	*	GND	
J37-16	J47-12	9.6D GOUTA CH06	
J37-17		USCLKOUT06A	
J37-18		USCLKOUT06B	
J37-19		USCLKOUT06C	
J37-20	*	GND	
J37-21	J06-39	USDATOUT06A	
J37-22		USDATOUT06B	
J37-23		USDATOUT06C	
J37-24	*	GND	
J37-25	*	GND	
J37-26	J45-13	9.6C GOUTA CH07	
J37-27	*	GND	
J37-28	J47-14	9.6D GOUTA CH07	
J37-29		USCLKOUT07A	
J37-30		USCLKOUT07B	
J37-31		USCLKOUT07C	
J37-32	*	GND	
J37-33	J07-39	USDATOUT07A	
J37-34		USDATOUT07B	
J37-35		USDATOUT07C	
J37-36	*	GND	
J37-37	*	GND	
J37-38	J45-15	9.6C GOUTA CH08	
J37-39	*	GND	

Continued

Continued

<u>FROM</u>	<u>TO</u>	<u>FUNCTION</u>	<u>PUNCH BLOCK</u>
J37-40	J47-16	9.6D GOUTA CH08	
J37-41		USCLKOUT08A	
J37-42		USCLKOUT08B	
J37-43		USCLKOUT08C	
J37-44	*	GND	
J37-45	J08-39	USDATOUT08A	
J37-46		USDATOUT08B	
J37-47		USDATOUT08C	
J37-48	*	GND	
J37-49	*	GND	
J37-50	*	GND	
B404-J38 TO T800 SYNC CNTRL CH9-12			
J38-01	*	GND	
J38-02	J45-17	9.6C GOUTA CH09	
J38-03	*	GND	
J38-04	J47-18	9.6D GOUTA CH09	
J38-05		USCLKOUT09A	
J38-06		USCLKOUT09B	
J38-07		USCLKOUT09C	
J38-08	*	GND	
J38-09	J09-39	USDATOUT09A	
J38-10		USDATOUT09B	
J38-11		USDATOUT09C	
J38-12	*	GND	
J38-13	*	GND	
J38-14	J45-19	9.6C GOUTA CH10	
J38-15	*	GND	
J38-16	J47-20	9.6D GOUTA CH10	
J38-17		USCLKOUT10A	
J38-18		USCLKOUT10B	
J38-19		USCLKOUT10C	
J38-20	*	GND	
J38-21	J10-39	USDATOUT10A	
J38-22		USDATOUT10B	
J38-23		USDATOUT10C	
J38-24	*	GND	
J38-25	*	GND	
J38-26	J45-21	9.6C GOUTA CH11	
J38-27	*	GND	
J38-28	J47-22	9.6D GOUTA CH11	
J38-29		USCLKOUT11A	
J38-30		USCLKOUT11B	
J38-31		USCLKOUT11C	
J38-32	*	GND	
J38-33	J11-39	USDATOUT11A	
J38-34		USDATOUT11B	
J38-35		USDATOUT11C	
J38-36	*	GND	
J38-37	*	GND	
J38-38	J45-23	9.6C GOUTA CH12	
J38-39	*	GND	
J38-40	J47-24	9.6D GOUTA CH12	

<u>FROM</u>	<u>TO</u>	<u>FUNCTION</u>	<u>PUNCH BLOCK</u>
J38-41		USCLKOUT12A	
J38-42		USCLKOUT12B	
J38-43		USCLKOUT12C	
J38-44	*	GND	
J38-45	J12-39	USDATOUT12A	
J38-46		USDATOUT12B	
J38-47		USDATOUT12C	
J38-48	*	GND	
J38-49	*	GND	
J38-50	*	GND	
B404-J39 TO T800 SYNC CNTRL CH13-16			
J39-01	*	GND	
J39-02	J45-25	9.6C GOUTA CH13	
J39-03	*	GND	
J39-04	J47-26	9.6D GOUTA CH13	
J39-05		USCLKOUT13A	
J39-06		USCLKOUT13B	
J39-07		USCLKOUT13C	
J39-08	*	GND	
J39-09	J13-39	USDATOUT13A	
J39-10		USDATOUT13B	
J39-11		USDATOUT13C	
J39-12	*	GND	
J39-13	*	GND	
J39-14	J45-27	9.6C GOUTA CH14	
J39-15	*	GND	
J39-16	J47-28	9.6D GOUTA CH14	
J39-17		USCLKOUT14A	
J39-18		USCLKOUT14B	
J39-19		USCLKOUT14C	
J39-20	*	GND	
J39-21	J14-39	USDATOUT14A	
J39-22		USDATOUT14B	
J39-23		USDATOUT14C	
J39-24	*	GND	
J39-25	*	GND	
J39-26	J45-29	9.6C GOUTA CH15	
J39-27	*	GND	
J39-28	J47-30	9.6D GOUTA CH15	
J39-29		USCLKOUT15A	
J39-30		USCLKOUT15B	
J39-31		USCLKOUT15C	
J39-32	*	GND	
J39-33	J15-39	USDATOUT15A	
J39-34		USDATOUT15B	
J39-35		USDATOUT15C	
J39-36	*	GND	
J39-37	*	GND	
J39-38	J45-31	9.6C GOUTA CH16	
J39-39	*	GND	
J39-40	J47-32	9.6D GOUTA CH16	
J39-41		USCLKOUT16A	

Continued

Continued

<u>FROM</u>	<u>TO</u>	<u>FUNCTION</u>	<u>PUNCH BLOCK</u>
J39-42		USCLKOUT16B	
J39-43		USCLKOUT16C	
J39-44	*	GND	
J39-45	J16-39	USDATOUT16A	
J39-46		USDATOUT16B	
J39-47		USDATOUT16C	
J39-48	*	GND	
J39-49	*	GND	
J39-50	*	GND	
B404-J40 TO T800 SYNC CNTRL CH17-20			
J40-01	*	GND	
J40-02	J45-33	9.6C GOUTA CH17	
J40-03	*	GND	
J40-04	J47-34	9.6D GOUTA CH17	
J40-05		USCLKOUT17A	
J40-06		USCLKOUT17B	
J40-07		USCLKOUT17C	
J40-08	*	GND	
J40-09	J17-39	USDATOUT17A	
J40-10		USDATOUT17B	
J40-11		USDATOUT17C	
J40-12	*	GND	
J40-13	*	GND	
J40-14	J45-35	9.6C GOUTA CH18	
J40-15	*	GND	
J40-16	J47-36	9.6D GOUTA CH18	
J40-17		USCLKOUT18A	
J40-18		USCLKOUT18B	
J40-19		USCLKOUT18C	
J40-20	*	GND	
J40-21	J18-39	USDATOUT18A	
J40-22		USDATOUT18B	
J40-23		USDATOUT18C	
J40-24	*	GND	
J40-25	*	GND	
J40-26	J45-37	9.6C GOUTA CH19	
J40-27	*	GND	
J40-28	J47-38	9.6D GOUTA CH19	
J40-29		USCLKOUT19A	
J40-30		USCLKOUT19B	
J40-31		USCLKOUT19C	
J40-32	*	GND	
J40-33	J19-39	USDATOUT19A	
J40-34		USDATOUT19B	
J40-35		USDATOUT19C	
J40-36	*	GND	
J40-37	*	GND	
J40-38	J45-39	9.6C GOUTA CH20	
J40-39	*	GND	
J40-40	J47-40	9.6D GOUTA CH20	
J40-41		USCLKOUT20A	
J40-42		USCLKOUT20B	

<u>FROM</u>	<u>TO</u>	<u>FUNCTION</u>	<u>PUNCH BLOCK</u>
J40-43		USCLKOUT20C	
J40-44	*	GND	
J40-45	J20-39	USDATOUT20A	
J40-46		USDATOUT20B	
J40-47		USDATOUT20C	
J40-48	*	GND	
J40-49	*	GND	
J40-50	*	GND	
B404-J41 TO T800 SYNC CNTRL CH21-24			
J41-01	*	GND	
J41-02	J45-41	9.6C GOUTA CH21	
J41-03	*	GND	
J41-04	J47-42	9.6D GOUTA CH21	
J41-05		USCLKOUT21A	
J41-06		USCLKOUT21B	
J41-07		USCLKOUT21C	
J41-08	*	GND	
J41-09	J21-39	USDATOUT21A	
J41-10		USDATOUT21B	
J41-11		USDATOUT21C	
J41-12	*	GND	
J41-13	*	GND	
J41-14	J45-43	9.6C GOUTA CH22	
J41-15	*	GND	
J41-16	J47-44	9.6D GOUTA CH22	
J41-17		USCLKOUT22A	
J41-18		USCLKOUT22B	
J41-19		USCLKOUT22C	
J41-20	*	GND	
J41-21	J22-39	USDATOUT22A	
J41-22		USDATOUT22B	
J41-23		USDATOUT22C	
J41-24	*	GND	
J41-25	*	GND	
J41-26	J45-45	9.6C GOUTA CH23	
J41-27	*	GND	
J41-28	J47-46	9.6D GOUTA CH23	
J41-29		USCLKOUT23A	
J41-30		USCLKOUT23B	
J41-31		USCLKOUT23C	
J41-32	*	GND	
J41-33	J23-39	USDATOUT23A	
J41-34		USDATOUT23B	
J41-35		USDATOUT23C	
J41-36	*	GND	
J41-37	*	GND	
J41-38	J45-47	9.6C GOUTA CH24	
J41-39	*	GND	
J41-40	J47-48	9.6D GOUTA CH24	
J41-41		USCLKOUT24A	
J41-42		USCLKOUT24B	
J41-43		USCLKOUT24C	

Continued

Continued

<u>FROM</u>	<u>TO</u>	<u>FUNCTION</u>	<u>PUNCH BLOCK</u>
J41-44	*	GND	
J41-45	J24-39	USDATOUT24A	
J41-46		USDATOUT24B	
J41-47		USDATOUT24C	
J41-48	*	GND	
J41-49	*	GND	
J41-50	*	GND	
B404-J43 TO TIMING INTERFACE J2			
J43-01		n/c	
J43-02		n/c	
J43-03		n/c	
J43-04		n/c	
J43-05		n/c	
J43-06		n/c	
J43-07		n/c	
J43-08		n/c	
J43-09		n/c	
J43-10		n/c	
J43-11		n/c	
J43-12		n/c	
J43-13		n/c	
J43-14		n/c	
J43-15		n/c	
J43-16		n/c	
J43-17		n/c	
J43-18		n/c	
J43-19		n/c	
J43-20		n/c	
J43-21		n/c	
J43-22		n/c	
J43-23		n/c	
J43-24		n/c	
J43-25		n/c	
J43-26		n/c	
J43-27		n/c	
J43-28		n/c	
J43-29		n/c	
J43-30		n/c	
J43-31		n/c	
J43-32		n/c	
J43-33		n/c	
J43-34		n/c	
J43-35		n/c	
J43-36		n/c	
J43-37		n/c	
J43-38		n/c	
J43-39		n/c	
J43-40		n/c	
J43-41		n/c	
J43-42		n/c	
J43-43	J01-49	SEL 2 OUT A	
	J06-49		

<u>FROM</u>	<u>TO</u>	<u>FUNCTION</u>	<u>PUNCH BLOCK</u>
	J11-49		
	J16-49		
	J21-49		
J43-44	J02-49	SEL 2 OUT B	
	J07-49		
	J12-49		
	J17-49		
	J22-49		
J43-45	J03-49	SEL 2 OUT C	
	J08-49		
	J13-49		
	J18-49		
	J23-49		
J43-46	J04-49	SEL 2 OUT D	
	J09-49		
	J14-49		
	J19-49		
	J24-49		
J43-47	J05-49	SEL 2 OUT E	
	J10-49		
	J15-49		
	J20-49		
	J25-49		
J43-48		n/c	
J43-49		n/c	
J43-50		n/c	
B404-J44 TO T101 MODEM SHELF OR JACKFIELD			
J44-01	*	GND	See Note 1
J44-02	J01-33	TXD 232 CH01	See Note 1
J44-03	*	GND	See Note 1
J44-04	J02-33	TXD 232 CH02	See Note 1
J44-05	*	GND	See Note 1
J44-06	J03-33	TXD 232 CH03	See Note 1
J44-07	*	GND	See Note 1
J44-08	J04-33	TXD 232 CH04	See Note 1
J44-09	*	GND	See Note 1
J44-10	J05-33	TXD 232 CH05	See Note 1
J44-11	*	GND	See Note 1
J44-12	J06-33	TXD 232 CH06	See Note 1
J44-13	*	GND	See Note 1
J44-14	J07-33	TXD 232 CH07	See Note 1
J44-15	*	GND	See Note 1
J44-16	J08-33	TXD 232 CH08	See Note 1
J44-17	*	GND	See Note 1
J44-18	J09-33	TXD 232 CH09	See Note 1
J44-19	*	GND	See Note 1
J44-20	J10-33	TXD 232 CH10	See Note 1
J44-21	*	GND	See Note 1
J44-22	J11-33	TXD 232 CH11	See Note 1
J44-23	*	GND	See Note 1
J44-24	J12-33	TXD 232 CH12	See Note 1
J44-25	*	GND	See Note 1

Continued

Continued

<u>FROM</u>	<u>TO</u>	<u>FUNCTION</u>	<u>PUNCH BLOCK</u>
J44-26	J13-33	TXD 232 CH13	See Note 1
J44-27	*	GND	See Note 1
J44-28	J14-33	TXD 232 CH14	See Note 1
J44-29	*	GND	See Note 1
J44-30	J15-33	TXD 232 CH15	See Note 1
J44-31	*	GND	See Note 1
J44-32	J16-33	TXD 232 CH16	See Note 1
J44-33	*	GND	See Note 1
J44-34	J17-33	TXD 232 CH17	See Note 1
J44-35	*	GND	See Note 1
J44-36	J18-33	TXD 232 CH18	See Note 1
J44-37	*	GND	See Note 1
J44-38	J19-33	TXD 232 CH19	See Note 1
J44-39	*	GND	See Note 1
J44-40	J20-33	TXD 232 CH20	See Note 1
J44-41	*	GND	See Note 1
J44-42	J21-33	TXD 232 CH21	See Note 1
J44-43	*	GND	See Note 1
J44-44	J22-33	TXD 232 CH22	See Note 1
J44-45	*	GND	See Note 1
J44-46	J23-33	TXD 232 CH23	See Note 1
J44-47	*	GND	See Note 1
J44-48	J24-33	TXD 232 CH24	See Note 1
J44-49	*	GND	See Note 1
J44-50	J25-33	TXD 232 CH25	See Note 1

B404-J45 TO T101 MODEM SHELF OR JACKFIELD

J45-01	J36-02	9.6C GOUTA CH01	See Note 1
J45-02	*	GND	See Note 1
J45-03	J36-14	9.6C GOUTA CH02	See Note 1
J45-04	*	GND	See Note 1
J45-05	J36-26	9.6C GOUTA CH03	See Note 1
J45-06	*	GND	See Note 1
J45-07	J36-38	9.6C GOUTA CH04	See Note 1
J45-08	*	GND	See Note 1
J45-09	J37-02	9.6C GOUTA CH05	See Note 1
J45-10	*	GND	See Note 1
J45-11	J37-14	9.6C GOUTA CH06	See Note 1
J45-12	*	GND	See Note 1
J45-13	J37-26	9.6C GOUTA CH07	See Note 1
J45-14	*	GND	See Note 1
J45-15	J37-38	9.6C GOUTA CH08	See Note 1
J45-16	*	GND	See Note 1
J45-17	J38-02	9.6C GOUTA CH09	See Note 1
J45-18	*	GND	See Note 1
J45-19	J38-14	9.6C GOUTA CH10	See Note 1
J45-20	*	GND	See Note 1
J45-21	J38-26	9.6C GOUTA CH11	See Note 1
J45-22	*	GND	See Note 1
J45-23	J38-38	9.6C GOUTA CH12	See Note 1
J45-24	*	GND	See Note 1
J45-25	J39-02	9.6C GOUTA CH13	See Note 1
J45-26	*	GND	See Note 1

<u>FROM</u>	<u>TO</u>	<u>FUNCTION</u>	<u>PUNCH BLOCK</u>
J45-27	J39-14	9.6C GOUTA CH14	See Note 1
J45-28	*	GND	See Note 1
J45-29	J39-26	9.6C GOUTA CH15	See Note 1
J45-30	*	GND	See Note 1
J45-31	J39-38	9.6C GOUTA CH16	See Note 1
J45-32	*	GND	See Note 1
J45-33	J40-02	9.6C GOUTA CH17	See Note 1
J45-34	*	GND	See Note 1
J45-35	J40-14	9.6C GOUTA CH18	See Note 1
J45-36	*	GND	See Note 1
J45-37	J40-26	9.6C GOUTA CH19	See Note 1
J45-38	*	GND	See Note 1
J45-39	J40-38	9.6C GOUTA CH20	See Note 1
J45-40	*	GND	See Note 1
J45-41	J41-02	9.6C GOUTA CH21	See Note 1
J45-42	*	GND	See Note 1
J45-43	J41-14	9.6C GOUTA CH22	See Note 1
J45-44	*	GND	See Note 1
J45-45	J41-26	9.6C GOUTA CH23	See Note 1
J45-46	*	GND	See Note 1
J45-47	J41-38	9.6C GOUTA CH24	See Note 1
J45-48	*	GND	See Note 1
J45-49	n/c		
J45-50	*	GND	See Note 1

B404-J46 TO T101 MODEM SHELF OR JACKFIELD

J46-01	J01-31	CLK TXD 232 CH01	See Note 1
J46-02	*	GND	See Note 1
J46-03	J02-31	CLK TXD 232 CH02	See Note 1
J46-04	*	GND	See Note 1
J46-05	J03-31	CLK TXD 232 CH03	See Note 1
J46-06	*	GND	See Note 1
J46-07	J04-31	CLK TXD 232 CH04	See Note 1
J46-08	*	GND	See Note 1
J46-09	J05-31	CLK TXD 232 CH05	See Note 1
J46-10	*	GND	See Note 1
J46-11	J06-31	CLK TXD 232 CH06	See Note 1
J46-12	*	GND	See Note 1
J46-13	J07-31	CLK TXD 232 CH07	See Note 1
J46-14	*	GND	See Note 1
J46-15	J08-31	CLK TXD 232 CH08	See Note 1
J46-16	*	GND	See Note 1
J46-17	J09-31	CLK TXD 232 CH09	See Note 1
J46-18	*	GND	See Note 1
J46-19	J10-31	CLK TXD 232 CH10	See Note 1
J46-20	*	GND	See Note 1
J46-21	J11-31	CLK TXD 232 CH11	See Note 1
J46-22	*	GND	See Note 1
J46-23	J12-31	CLK TXD 232 CH12	See Note 1
J46-24	*	GND	See Note 1
J46-25	J13-31	CLK TXD 232 CH13	See Note 1
J46-26	*	GND	See Note 1
J46-27	J14-31	CLK TXD 232 CH14	See Note 1

Continued

Continued

<u>FROM</u>	<u>TO</u>	<u>FUNCTION</u>	<u>PUNCH BLOCK</u>
J46-28	*	GND	See Note 1
J46-29	J15-31	CLK TXD 232 CH15	See Note 1
J46-30	*	GND	See Note 1
J46-31	J16-31	CLK TXD 232 CH16	See Note 1
J46-32	*	GND	See Note 1
J46-33	J17-31	CLK TXD 232 CH17	See Note 1
J46-34	*	GND	See Note 1
J46-35	J18-31	CLK TXD 232 CH18	See Note 1
J46-36	*	GND	See Note 1
J46-37	J19-31	CLK TXD 232 CH19	See Note 1
J46-38	*	GND	See Note 1
J46-39	J20-31	CLK TXD 232 CH20	See Note 1
J46-40	*	GND	See Note 1
J46-41	J21-31	CLK TXD 232 CH21	See Note 1
J46-42	*	GND	See Note 1
J46-43	J22-31	CLK TXD 232 CH22	See Note 1
J46-44	*	GND	See Note 1
J46-45	J23-31	CLK TXD 232 CH23	See Note 1
J46-46	*	GND	See Note 1
J46-47	J24-31	CLK TXD 232 CH24	See Note 1
J46-48	*	GND	See Note 1
J46-49	J25-31	CLK TXD 232 CH25	See Note 1
J46-50	*	GND	See Note 1
B404-J47 TO T101 SHELF OR JACKFIELD			
J47-01	*	GND	See Note 1
J47-02	J36-04	9.6D GOUTA CH01	See Note 1
J47-03	*	GND	See Note 1
J47-04	J36-16	9.6D GOUTA CH02	See Note 1
J47-05	*	GND	See Note 1
J47-06	J36-28	9.6D GOUTA CH03	See Note 1
J47-07	*	GND	See Note 1
J47-08	J36-40	9.6D GOUTA CH04	See Note 1
J47-09	*	GND	See Note 1
J47-10	J37-04	9.6D GOUTA CH05	See Note 1
J47-11	*	GND	See Note 1
J47-12	J37-16	9.6D GOUTA CH06	See Note 1
J47-13	*	GND	See Note 1
J47-14	J37-28	9.6D GOUTA CH07	See Note 1
J47-15	*	GND	See Note 1
J47-16	J37-40	9.6D GOUTA CH08	See Note 1
J47-17	*	GND	See Note 1
J47-18	J38-04	9.6D GOUTA CH09	See Note 1
J47-19	*	GND	See Note 1
J47-20	J38-16	9.6D GOUTA CH10	See Note 1
J47-21	*	GND	See Note 1
J47-22	J38-28	9.6D GOUTA CH11	See Note 1
J47-23	*	GND	See Note 1
J47-24	J38-40	9.6D GOUTA CH12	See Note 1
J47-25	*	GND	See Note 1
J47-26	J39-04	9.6D GOUTA CH13	See Note 1
J47-27	*	GND	See Note 1
J47-28	J39-16	9.6D GOUTA CH14	See Note 1

<u>FROM</u>	<u>TO</u>	<u>FUNCTION</u>	<u>PUNCH BLOCK</u>
J47-29	*	GND	See Note 1
J47-30	J39-28	9.6D GOUTA CH15	See Note 1
J47-31	*	GND	See Note 1
J47-32	J39-40	9.6D GOUTA CH16	See Note 1
J47-33	*	GND	See Note 1
J47-34	J40-04	9.6D GOUTA CH17	See Note 1
J47-35	*	GND	See Note 1
J47-36	J40-16	9.6D GOUTA CH18	See Note 1
J47-37	*	GND	See Note 1
J47-38	J40-28	9.6D GOUTA CH19	See Note 1
J47-39	*	GND	See Note 1
J47-40	J40-40	9.6D GOUTA CH20	See Note 1
J47-41	*	GND	See Note 1
J47-42	J41-04	9.6D GOUTA CH21	See Note 1
J47-43	*	GND	See Note 1
J47-44	J41-16	9.6D GOUTA CH22	See Note 1
J47-45	*	GND	See Note 1
J47-46	J41-28	9.6D GOUTA CH23	See Note 1
J47-47	*	GND	See Note 1
J47-48	J41-40	9.6D GOUTA CH24	See Note 1
J47-49	*	GND	See Note 1
J47-50	n/c		
<p>General Notes:</p> <p>All "*" points are tied to each other (GND).</p> <p>All "#" points are tied to each other (PTT OUT RTN).</p> <p>All "@" points are tied to each other (A/D OUT RTN).</p> <p>Caution:</p> <p>The Function "n/c" means that signal is not used in this application, but it does NOT mean that no signal is present.</p> <p>Note 1:</p> <p>T101 can consist of 1 to 3 shelves (A,B,C).</p> <p>Each shelf can hold up to 10 modems (channels). J6 of each shelf connects to a Jackfield/Punch Block.</p>			

FUNCTION LIST

TRANSMIT SITE/CROSS-CONNECT PANEL/FUNCTION LIST
DATE: 03/27/90

150 IN 232 CH01	J01(35),J35(11);
150 IN 232 CH02	J02(35),J35(12);
150 IN 232 CH03	J03(35),J35(13);
150 IN 232 CH04	J04(35),J35(14);
150 IN 232 CH05	J05(35),J35(15);
150 IN 232 CH06	J06(35),J35(16);
150 IN 232 CH07	J07(35),J35(17);
150 IN 232 CH08	J08(35),J35(18);
150 IN 232 CH09	J09(35),J35(19);
150 IN 232 CH10	J10(35),J35(20);
150 IN 232 CH11	J11(35),J35(21);
150 IN 232 CH12	J12(35),J35(22);
150 IN 232 CH13	J13(35),J35(23);
150 IN 232 CH14	J14(35),J35(24);
150 IN 232 CH15	J15(35),J35(25);
150 IN 232 CH16	J16(35),J35(26);
150 IN 232 CH17	J17(35),J35(27);
150 IN 232 CH18	J18(35),J35(28);
150 IN 232 CH19	J19(35),J35(29);
150 IN 232 CH20	J20(35),J35(30);
150 IN 232 CH21	J21(35),J35(31);
150 IN 232 CH22	J22(35),J35(32);
150 IN 232 CH23	J23(35),J35(33);
150 IN 232 CH24	J24(35),J35(34);
150 IN 232 CH25	J25(35),J35(35);

2400 HZ MIN R	J28(05),J35(04);
2400 HZ MIN T	J28(06),J35(03);
300 HZ MIN R	J28(03),J35(02);
300 HZ MIN T	J28(04),J35(01);
9.6C GOUTA CH01	J36(02),J45(01);
9.6C GOUTA CH02	J36(14),J45(03);
9.6C GOUTA CH03	J36(26),J45(05);
9.6C GOUTA CH04	J36(38),J45(07);
9.6C GOUTA CH05	J37(02),J45(09);
9.6C GOUTA CH06	J37(14),J45(11);
9.6C GOUTA CH07	J37(26),J45(13);
9.6C GOUTA CH08	J37(38),J45(15);
9.6C GOUTA CH09	J38(02),J45(17);
9.6C GOUTA CH10	J38(14),J45(19);
9.6C GOUTA CH11	J38(26),J45(21);
9.6C GOUTA CH12	J38(38),J45(23);
9.6C GOUTA CH13	J39(02),J45(25);
9.6C GOUTA CH14	J39(14),J45(27);
9.6C GOUTA CH15	J39(26),J45(29);
9.6C GOUTA CH16	J39(38),J45(31);
9.6C GOUTA CH17	J40(02),J45(33);
9.6C GOUTA CH18	J40(14),J45(35);
9.6C GOUTA CH19	J40(26),J45(37);
9.6C GOUTA CH20	J40(38),J45(39);
9.6C GOUTA CH21	J41(02),J45(41);
9.6C GOUTA CH22	J41(14),J45(43);
9.6C GOUTA CH23	J41(26),J45(45);

Continued

Continued

9.6C GOUTA CH24	J41(38),J45(47);
9.6C GOUTA CH25	J42(02),J45(49);
9.6D GOUTA CH01	J36(04),J47(02);
9.6D GOUTA CH02	J36(16),J47(04);
9.6D GOUTA CH03	J36(28),J47(06);
9.6D GOUTA CH04	J36(40),J47(08);
9.6D GOUTA CH05	J37(04),J47(10);
9.6D GOUTA CH06	J37(16),J47(12);
9.6D GOUTA CH07	J37(28),J47(14);
9.6D GOUTA CH08	J37(40),J47(16);
9.6D GOUTA CH09	J38(04),J47(18);
9.6D GOUTA CH10	J38(16),J47(20);
9.6D GOUTA CH11	J38(28),J47(22);
9.6D GOUTA CH12	J38(40),J47(24);
9.6D GOUTA CH13	J39(04),J47(26);
9.6D GOUTA CH14	J39(16),J47(28);
9.6D GOUTA CH15	J39(28),J47(30);
9.6D GOUTA CH16	J39(40),J47(32);
9.6D GOUTA CH17	J40(04),J47(34);
9.6D GOUTA CH18	J40(16),J47(36);
9.6D GOUTA CH19	J40(28),J47(38);
9.6D GOUTA CH20	J40(40),J47(40);
9.6D GOUTA CH21	J41(04),J47(42);
9.6D GOUTA CH22	J41(16),J47(44);
9.6D GOUTA CH23	J41(28),J47(46);
9.6D GOUTA CH24	J41(40),J47(48);
9.6D GOUTA CH25	J42(04),J47(50);

A/D IN TTL CH01	J01(16),J31(02);
A/D IN TTL CH02	J02(16),J31(04);
A/D IN TTL CH03	J03(16),J31(06);
A/D IN TTL CH04	J04(16),J31(08);
A/D IN TTL CH05	J05(16),J31(10);
A/D IN TTL CH06	J06(16),J31(12);
A/D IN TTL CH07	J07(16),J31(14);
A/D IN TTL CH08	J08(16),J31(16);
A/D IN TTL CH09	J09(16),J31(18);
A/D IN TTL CH10	J10(16),J31(20);
A/D IN TTL CH11	J11(16),J31(22);
A/D IN TTL CH12	J12(16),J31(24);
A/D IN TTL CH13	J13(16),J31(26);
A/D IN TTL CH14	J14(16),J31(28);
A/D IN TTL CH15	J15(16),J31(30);
A/D IN TTL CH16	J16(16),J31(32);
A/D IN TTL CH17	J17(16),J31(34);
A/D IN TTL CH18	J18(16),J31(36);
A/D IN TTL CH19	J19(16),J31(38);
A/D IN TTL CH20	J20(16),J31(40);
A/D IN TTL CH21	J21(16),J31(42);
A/D IN TTL CH22	J22(16),J31(44);
A/D IN TTL CH23	J23(16),J31(46);
A/D IN TTL CH24	J24(16),J31(48);
A/D IN TTL CH25	J25(16),J31(50);
A/D OUT RTN	J01(14),J02(14),J03(14),J04(14),J05(14),J06(14),J07(14),J08(14), J09(14),J10(14),J11(14),J12(14),J13(14),J14(14),J15(14),J16(14), J17(14),J18(14),J19(14),J20(14),J21(14),J22(14),J23(14),J24(14), J25(14);

Continued

Continued

ALARM01	J30(31),J32(17);
ALARM02	J30(32),J32(18);
ALARM03	J30(33),J32(19);
ALARM04	J30(34),J32(20);
ALARM05	J30(35),J32(21);
ALARM06	J30(36),J32(22);
ALARM07	J30(37),J32(23);
ALARM08	J30(38),J32(24);
ALARM09	J30(39),J32(25);
ALARM10	J30(40),J32(26);
BYPASS CH01	J01(09),J30(01);
BYPASS CH02	J02(09),J30(02);
BYPASS CH03	J03(09),J30(03);
BYPASS CH04	J04(09),J30(04);
BYPASS CH05	J05(09),J30(05);
BYPASS CH06	J06(09),J30(06);
BYPASS CH07	J07(09),J30(07);
BYPASS CH08	J08(09),J30(08);
BYPASS CH09	J09(09),J30(09);
BYPASS CH10	J10(09),J30(10);
BYPASS CH11	J11(09),J30(11);
BYPASS CH12	J12(09),J30(12);
BYPASS CH13	J13(09),J30(13);
BYPASS CH14	J14(09),J30(14);
BYPASS CH15	J15(09),J30(15);
BYPASS CH16	J16(09),J30(16);
BYPASS CH17	J17(09),J30(17);

BYPASS CH18	J18(09),J30(18);
BYPASS CH19	J19(09),J30(19);
BYPASS CH20	J20(09),J30(20);
BYPASS CH21	J21(09),J30(21);
BYPASS CH22	J22(09),J30(22);
BYPASS CH23	J23(09),J30(23);
BYPASS CH24	J24(09),J30(24);
BYPASS CH25	J25(09),J30(25);
CLK TXD 232 CH01	J01(31),J46(01);
CLK TXD 232 CH02	J02(31),J46(03);
CLK TXD 232 CH03	J03(31),J46(05);
CLK TXD 232 CH04	J04(31),J46(07);
CLK TXD 232 CH05	J05(31),J46(09);
CLK TXD 232 CH06	J06(31),J46(11);
CLK TXD 232 CH07	J07(31),J46(13);
CLK TXD 232 CH08	J08(31),J46(15);
CLK TXD 232 CH09	J09(31),J46(17);
CLK TXD 232 CH10	J10(31),J46(19);
CLK TXD 232 CH11	J11(31),J46(21);
CLK TXD 232 CH12	J12(31),J46(23);
CLK TXD 232 CH13	J13(31),J46(25);
CLK TXD 232 CH14	J14(31),J46(27);
CLK TXD 232 CH15	J15(31),J46(29);
CLK TXD 232 CH16	J16(31),J46(31);
CLK TXD 232 CH17	J17(31),J46(33);
CLK TXD 232 CH18	J18(31),J46(35);
CLK TXD 232 CH19	J19(31),J46(37);

Continued

Continued

CLK TXD 232 CH20	J20(31),J46(39);
CLK TXD 232 CH21	J21(31),J46(41);
CLK TXD 232 CH22	J22(31),J46(43);
CLK TXD 232 CH23	J23(31),J46(45);
CLK TXD 232 CH24	J24(31),J46(47);
CLK TXD 232 CH25	J25(31),J46(49);
GND	J01(10),J01(24),J01(26),J01(28),J01(30),J01(32),J01(34),J01(38), J01(40),J01(44),J01(50),J02(10),J02(24),J02(26),J02(28),J02(30), J02(32),J02(34),J02(38),J02(40),J02(44),J02(50),J03(10),J03(24), J03(26),J03(28),J03(30),J03(32),J03(34),J03(38),J03(40),J03(44), J03(50),J04(10),J04(24),J04(26),J04(28),J04(30),J04(32),J04(34), J04(38),J04(40),J04(44),J04(50),J05(10),J05(24),J05(26),J05(28), J05(30),J05(32),J05(34),J05(38),J05(40),J05(44),J05(50),J06(10), J06(24),J06(26),J06(28),J06(30),J06(32),J06(34),J06(38),J06(40), J06(44),J06(50),J07(10),J07(24),J07(26),J07(28),J07(30),J07(32), J07(34),J07(38),J07(40),J07(44),J07(50),J08(10),J08(24),J08(26), J08(28),J08(30),J08(32),J08(34),J08(38),J08(40),J08(44),J08(50), J09(10),J09(24),J09(26),J09(28),J09(30),J09(32),J09(34),J09(38), J09(40),J09(44),J09(50),J10(10),J10(24),J10(26),J10(28),J10(30), J10(32),J10(34),J10(38),J10(40),J10(44),J10(50),J11(10),J11(24), J11(26),J11(28),J11(30),J11(32),J11(34),J11(38),J11(40),J11(44), J11(50),J12(10),J12(24),J12(26),J12(28),J12(30),J12(32),J12(34), J12(38),J12(40),J12(44),J12(50),J13(10),J13(24),J13(26),J13(28), J13(30),J13(32),J13(34),J13(38),J13(40),J13(44),J13(50),J14(10), J14(24),J14(26),J14(28),J14(30),J14(32),J14(34),J14(38),J14(40), J14(44),J14(50),J15(10),J15(24),J15(26),J15(28),J15(30),J15(32), J15(34),J15(38),J15(40),J15(44),J15(50),J16(10),J16(24),J16(26), J16(28),J16(30),J16(32),J16(34),J16(38),J16(40),J16(44),J16(50), J17(10),J17(24),J17(26),J17(28),J17(30),J17(32),J17(34),J17(38), J17(40),J17(44),J17(50),J18(10),J18(24),J18(26),J18(28),J18(30), J18(32),J18(34),J18(38),J18(40),J18(44),J18(50),J19(10),J19(24), J19(26),J19(28),J19(30),J19(32),J19(34),J19(38),J19(40),J19(44), J19(50),J20(10),J20(24),J20(26),J20(28),J20(30),J20(32),J20(34), J20(38),J20(40),J20(44),J20(50),J21(10),J21(24),J21(26),J21(28), J21(30),J21(32),J21(34),J21(38),J21(40),J21(44),J21(50),J22(10), J22(24),J22(26),J22(28),J22(30),J22(32),J22(34),J22(38),J22(40), J22(44),J22(50),J23(10),J23(24),J23(26),J23(28),J23(30),J23(32), J23(34),J23(38),J23(40),J23(44),J23(50),J24(10),J24(24),J24(26), J24(28),J24(30),J24(32),J24(34),J24(38),J24(40),J24(44),J24(50), J25(10),J25(24),J25(26),J25(28),J25(30),J25(32),J25(34),J25(38), J25(40),J25(44),J25(50),J30(26),J30(27),J30(28),J30(29),J30(30), J33(01),J33(02),J36(01),J36(03),J36(08),J36(12),J36(13),J36(15), J36(20),J36(24),J36(25),J36(27),J36(32),J36(36),J36(37),J36(39), J36(44),J36(48),J36(49),J36(50),J37(01),J37(03),J37(08),J37(12), J37(13),J37(15),J37(20),J37(24),J37(25),J37(27),J37(32),J37(36), J37(37),J37(39),J37(44),J37(48),J37(49),J37(50),J38(01),J38(03),

J38(08),J38(12),J38(13),J38(15),J38(20),J38(24),J38(25),J38(27),
J38(32),J38(36),J38(37),J38(39),J38(44),J38(48),J38(49),J38(50),
J39(01),J39(03),J39(08),J39(12),J39(13),J39(15),J39(20),J39(24),
J39(25),J39(27),J39(32),J39(36),J39(37),J39(39),J39(44),J39(48),
J39(49),J39(50),J40(01),J40(03),J40(08),J40(12),J40(13),J40(15),
J40(20),J40(24),J40(25),J40(27),J40(32),J40(36),J40(37),J40(39),
J40(44),J40(48),J40(49),J40(50),J41(01),J41(03),J41(08),J41(12),
J41(13),J41(15),J41(20),J41(24),J41(25),J41(27),J41(32),J41(36),
J41(37),J41(39),J41(44),J41(48),J41(49),J41(50),J42(01),J42(03),
J42(08),J42(12),J42(13),J42(15),J42(20),J42(24),J42(25),J42(27),
J42(32),J42(36),J42(37),J42(39),J42(44),J42(48),J42(49),J42(50),
J44(01),J44(03),J44(05),J44(07),J44(09),J44(11),J44(13),J44(15),
J44(17),J44(19),J44(21),J44(23),J44(25),J44(27),J44(29),J44(31),
J44(33),J44(35),J44(37),J44(39),J44(41),J44(43),J44(45),J44(47),
J44(49),J45(02),J45(04),J45(06),J45(08),J45(10),J45(12),J45(14),
J45(16),J45(18),J45(20),J45(22),J45(24),J45(26),J45(28),J45(30),
J45(32),J45(34),J45(36),J45(38),J45(40),J45(42),J45(44),J45(46),
J45(48),J45(50),J46(02),J46(04),J46(06),J46(08),J46(10),J46(12),
J46(14),J46(16),J46(18),J46(20),J46(22),J46(24),J46(26),J46(28),
J46(30),J46(32),J46(34),J46(36),J46(38),J46(40),J46(42),J46(44),
J46(46),J46(48),J46(50),J47(01),J47(03),J47(05),J47(07),J47(09),
J47(11),J47(13),J47(15),J47(17),J47(19),J47(21),J47(23),J47(25),
J47(27),J47(29),J47(31),J47(33),J47(35),J47(37),J47(39),J47(41),
J47(43),J47(45),J47(47),J47(49);

PTT IN CH01	J01(15),J31(01);
PTT IN CH02	J02(15),J31(03);
PTT IN CH03	J03(15),J31(05);
PTT IN CH04	J04(15),J31(07);
PTT IN CH05	J05(15),J31(09);
PTT IN CH06	J06(15),J31(11);
PTT IN CH07	J07(15),J31(13);
PTT IN CH08	J08(15),J31(15);
PTT IN CH09	J09(15),J31(17);
PTT IN CH10	J10(15),J31(19);
PTT IN CH11	J11(15),J31(21);
PTT IN CH12	J12(15),J31(23);
PTT IN CH13	J13(15),J31(25);
PTT IN CH14	J14(15),J31(27);

Continued

Continued

PTT IN CH15	J15(15),J31(29);
PTT IN CH16	J16(15),J31(31);
PTT IN CH17	J17(15),J31(33);
PTT IN CH18	J18(15),J31(35);
PTT IN CH19	J19(15),J31(37);
PTT IN CH20	J20(15),J31(39);
PTT IN CH21	J21(15),J31(41);
PTT IN CH22	J22(15),J31(43);
PTT IN CH23	J23(15),J31(45);
PTT IN CH24	J24(15),J31(47);
PTT IN CH25	J25(15),J31(49);
PTT OUT RTN	J01(12),J02(12),J03(12),J04(12),J05(12),J06(12),J07(12),J08(12), J09(12),J10(12),J11(12),J12(12),J13(12),J14(12),J15(12),J16(12), J17(12),J18(12),J19(12),J20(12),J21(12),J22(12),J23(12),J24(12), J25(12);
R1 COM	J30(45),J33(03);
R1 NC	J30(46),J33(05);
R1 NO	J30(47),J33(07);
R2 COM	J30(48),J33(04);
R2 NC	J30(49),J33(06);
R2 NO	J30(50),J33(08);
RX M 150 R	J28(01),J35(42);
RX M 150 T	J28(02),J35(41);
RX VOICE CH01 R	J01(07),J27(01);
RX VOICE CH01 T	J01(08),J27(02);
RX VOICE CH02 R	J02(07),J27(03);
RX VOICE CH02 T	J02(08),J27(04);
RX VOICE CH03 R	J03(07),J27(05);
RX VOICE CH03 T	J03(08),J27(06);

RX VOICE CH04 R	J04(07),J27(07);
RX VOICE CH04 T	J04(08),J27(08);
RX VOICE CH05 R	J05(07),J27(09);
RX VOICE CH05 T	J05(08),J27(10);
RX VOICE CH06 R	J06(07),J27(11);
RX VOICE CH06 T	J06(08),J27(12);
RX VOICE CH07 R	J07(07),J27(13);
RX VOICE CH07 T	J07(08),J27(14);
RX VOICE CH08 R	J08(07),J27(15);
RX VOICE CH08 T	J08(08),J27(16);
RX VOICE CH09 R	J09(07),J27(17);
RX VOICE CH09 T	J09(08),J27(18);
RX VOICE CH10 R	J10(07),J27(19);
RX VOICE CH10 T	J10(08),J27(20);
RX VOICE CH11 R	J11(07),J27(21);
RX VOICE CH11 T	J11(08),J27(22);
RX VOICE CH12 R	J12(07),J27(23);
RX VOICE CH12 T	J12(08),J27(24);
RX VOICE CH13 R	J13(07),J27(25);
RX VOICE CH13 T	J13(08),J27(26);
RX VOICE CH14 R	J14(07),J27(27);
RX VOICE CH14 T	J14(08),J27(28);
RX VOICE CH15 R	J15(07),J27(29);
RX VOICE CH15 T	J15(08),J27(30);
RX VOICE CH16 R	J16(07),J27(31);
RX VOICE CH16 T	J16(08),J27(32);
RX VOICE CH17 R	J17(07),J27(33);

Continued

Continued

RX VOICE CH17 T	J17(08),J27(34);
RX VOICE CH18 R	J18(07),J27(35);
RX VOICE CH18 T	J18(08),J27(36);
RX VOICE CH19 R	J19(07),J27(37);
RX VOICE CH19 T	J19(08),J27(38);
RX VOICE CH20 R	J20(07),J27(39);
RX VOICE CH20 T	J20(08),J27(40);
RX VOICE CH21 R	J21(07),J27(41);
RX VOICE CH21 T	J21(08),J27(42);
RX VOICE CH22 R	J22(07),J27(43);
RX VOICE CH22 T	J22(08),J27(44);
RX VOICE CH23 R	J23(07),J27(45);
RX VOICE CH23 T	J23(08),J27(46);
RX VOICE CH24 R	J24(07),J27(47);
RX VOICE CH24 T	J24(08),J27(48);
RX VOICE CH25 R	J25(07),J27(49);
RX VOICE CH25 T	J25(08),J27(50);
SEL 2 OUT A	J01(49),J06(49),J11(49),J16(49), J21(49);
SEL 2 OUT B	J02(49),J07(49),J12(49),J17(49),J22(49);
SEL 2 OUT C	J03(49),J08(49),J13(49),J18(49),J23(49);
SEL 2 OUT D	J04(49),J09(49),J14(49),J19(49),J24(49);
SEL2 OUT E	J05(49),J10(49),J15(49),J20(49), J25(49);
TX VOICE CH01 R	J01(05),J26(01);
TX VOICE CH01 T	J01(06),J26(02);
TX VOICE CH02 R	J02(05),J26(03);
TX VOICE CH02 T	J02(06),J26(04);
TX VOICE CH03 R	J03(05),J26(05);

TX VOICE CH03 T	J03(06),J26(06);
TX VOICE CH04 R	J04(05),J26(07);
TX VOICE CH04 T	J04(06),J26(08);
TX VOICE CH05 R	J05(05),J26(09);
TX VOICE CH05 T	J05(06),J26(10);
TX VOICE CH06 R	J06(05),J26(11);
TX VOICE CH06 T	J06(06),J26(12);
TX VOICE CH07 R	J07(05),J26(13);
TX VOICE CH07 T	J07(06),J26(14);
TX VOICE CH08 R	J08(05),J26(15);
TX VOICE CH08 T	J08(06),J26(16);
TX VOICE CH09 R	J09(05),J26(17);
TX VOICE CH09 T	J09(06),J26(18);
TX VOICE CH10 R	J10(05),J26(19);
TX VOICE CH10 T	J10(06),J26(20);
TX VOICE CH11 R	J11(05),J26(21);
TX VOICE CH11 T	J11(06),J26(22);
TX VOICE CH12 R	J12(05),J26(23);
TX VOICE CH12 T	J12(06),J26(24);
TX VOICE CH13 R	J13(05),J26(25);
TX VOICE CH13 T	J13(06),J26(26);
TX VOICE CH14 R	J14(05),J26(27);
TX VOICE CH14 T	J14(06),J26(28);
TX VOICE CH15 R	J15(05),J26(29);
TX VOICE CH15 T	J15(06),J26(30);
TX VOICE CH16 R	J16(05),J26(31);
TX VOICE CH16 T	J16(06),J26(32);

Continued

Continued

TX VOICE CH17 R	J17(05),J26(33);
TX VOICE CH17 T	J17(06),J26(34);
TX VOICE CH18 R	J18(05),J26(35);
TX VOICE CH18 T	J18(06),J26(36);
TX VOICE CH19 R	J19(05),J26(37);
TX VOICE CH19 T	J19(06),J26(38);
TX VOICE CH20 R	J20(05),J26(39);
TX VOICE CH20 T	J20(06),J26(40);
TX VOICE CH21 R	J21(05),J26(41);
TX VOICE CH21 T	J21(06),J26(42);
TX VOICE CH22 R	J22(05),J26(43);
TX VOICE CH22 T	J22(06),J26(44);
TX VOICE CH23 R	J23(05),J26(45);
TX VOICE CH23 T	J23(06),J26(46);
TX VOICE CH24 R	J24(05),J26(47);
TX VOICE CH24 T	J24(06),J26(48);
TX VOICE CH25 R	J25(05),J26(49);
TX VOICE CH25 T	J25(06),J26(50);
TXD 232 CH01	J01(33),J44(02);
TXD 232 CH02	J02(33),J44(04);
TXD 232 CH03	J03(33),J44(06);
TXD 232 CH04	J04(33),J44(08);
TXD 232 CH05	J05(33),J44(10);
TXD 232 CH06	J06(33),J44(12);
TXD 232 CH07	J07(33),J44(14);
TXD 232 CH08	J08(33),J44(16);
TXD 232 CH09	J09(33),J44(18);

TXD 232 CH10	J10(33),J44(20);
TXD 232 CH11	J11(33),J44(22);
TXD 232 CH12	J12(33),J44(24);
TXD 232 CH13	J13(33),J44(26);
TXD 232 CH14	J14(33),J44(28);
TXD 232 CH15	J15(33),J44(30);
TXD 232 CH16	J16(33),J44(32);
TXD 232 CH17	J17(33),J44(34);
TXD 232 CH18	J18(33),J44(36);
TXD 232 CH19	J19(33),J44(38);
TXD 232 CH20	J20(33),J44(40);
TXD 232 CH21	J21(33),J44(42);
TXD 232 CH22	J22(33),J44(44);
TXD 232 CH23	J23(33),J44(46);
TXD 232 CH24	J24(33),J44(48);
TXD 232 CH25	J25(33),J44(50);
USDATOUT01A	J01(39),J36(09);
USDATOUT02A	J02(39),J36(21);
USDATOUT03A	J03(39),J36(33);
USDATOUT04A	J04(39),J36(45);
USDATOUT05A	J05(39),J37(09);
USDATOUT06A	J06(39),J37(21);
USDATOUT07A	J07(39),J37(33);
USDATOUT08A	J08(39),J37(45);
USDATOUT09A	J09(39),J38(09);
USDATOUT10A	J10(39),J38(21);
USDATOUT11A	J11(39),J38(33);

Continued

Continued

USDATOUT12A	J12(39),J38(45);
USDATOUT13A	J13(39),J39(09);
USDATOUT14A	J14(39),J39(21);
USDATOUT15A	J15(39),J39(33);
USDATOUT16A	J16(39),J39(45);
USDATOUT17A	J17(39),J40(09);
USDATOUT18A	J18(39),J40(21);
USDATOUT19A	J19(39),J40(33);
USDATOUT20A	J20(39),J40(45);
USDATOUT21A	J21(39),J41(09);
USDATOUT22A	J22(39),J41(21);
USDATOUT23A	J23(39),J41(33);
USDATOUT24A	J24(39),J41(45);
USDATOUT25A	J25(39),J42(09);