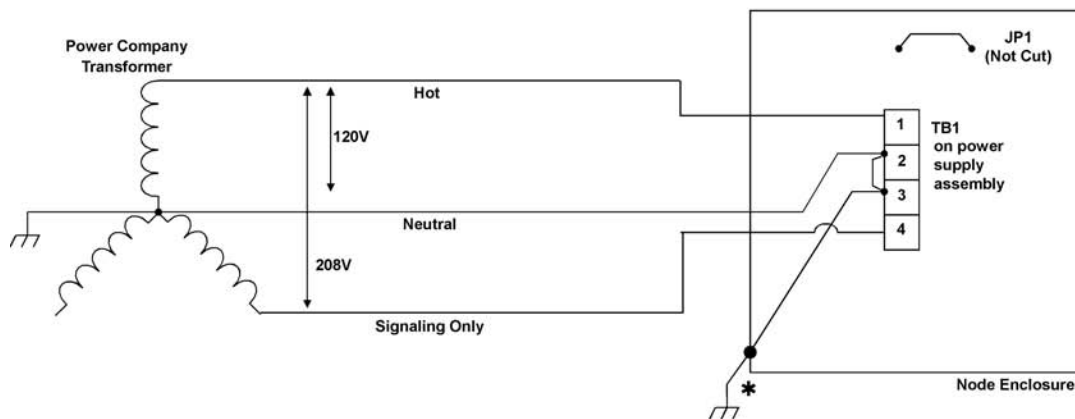
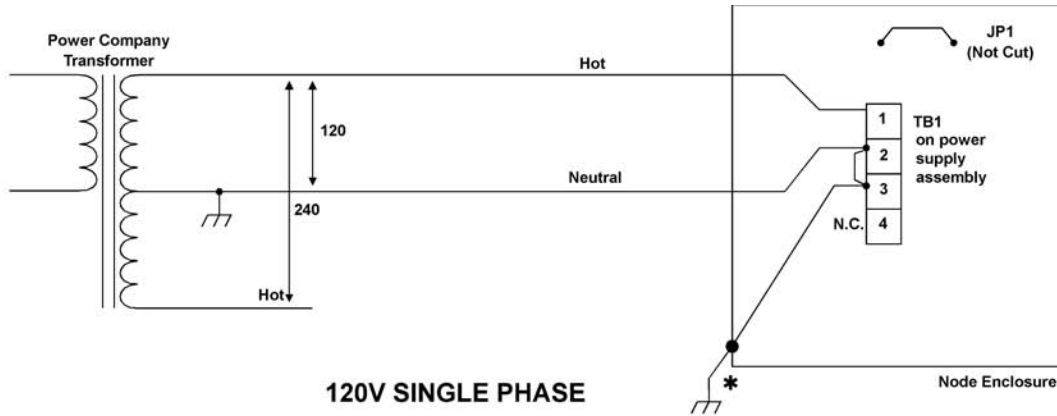


**ADDENDUM NO. 1 TO LBI-38867
(PCDR)**

This addendum adds additional AC power connections information to supplement the paragraph "AC Power Connections" on Page 6.

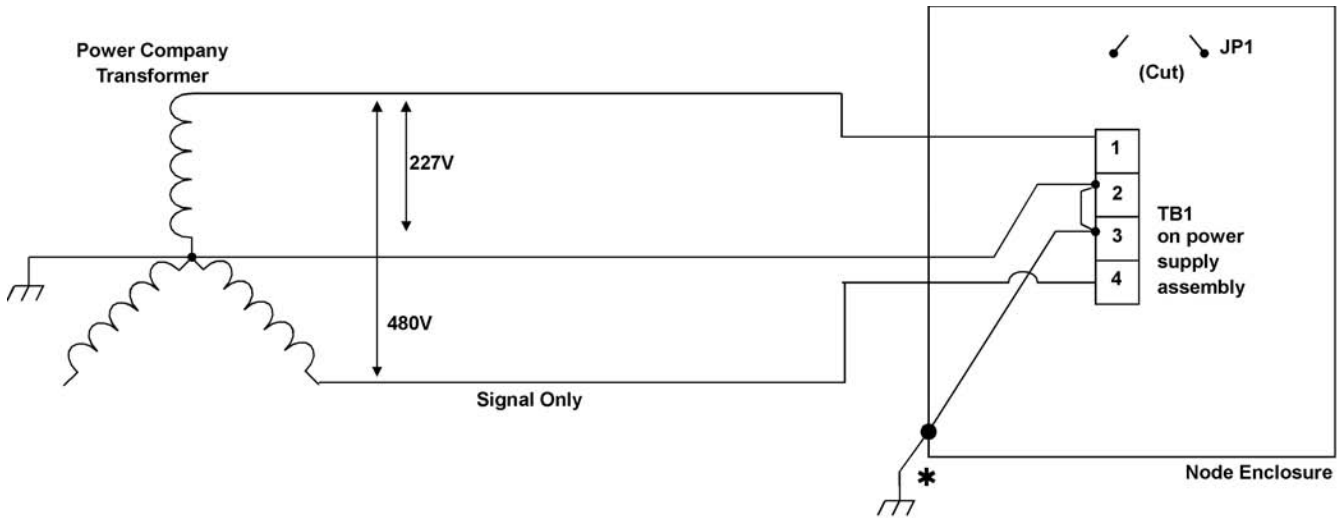


120/208 3 PHASE INSTALLATION (L-N)

NOTE: CONNECTION OF TB1-4 TO A SECOND PHASE IS FOR SIGNAL COUPLING PURPOSES ONLY.

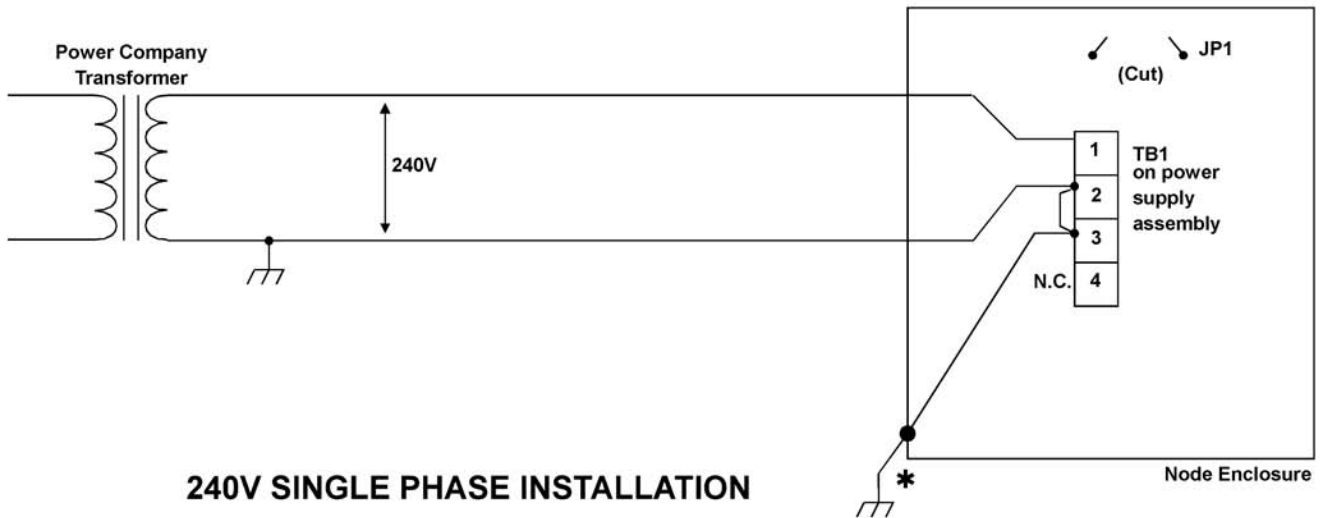
RECOMMENDED FOR LIGHTNING - SUSCEPTABLE LOCATIONS

* IT IS RECOMMENDED THAT THE NODE BE GROUNDED PER THE NEC (National Electric Code)



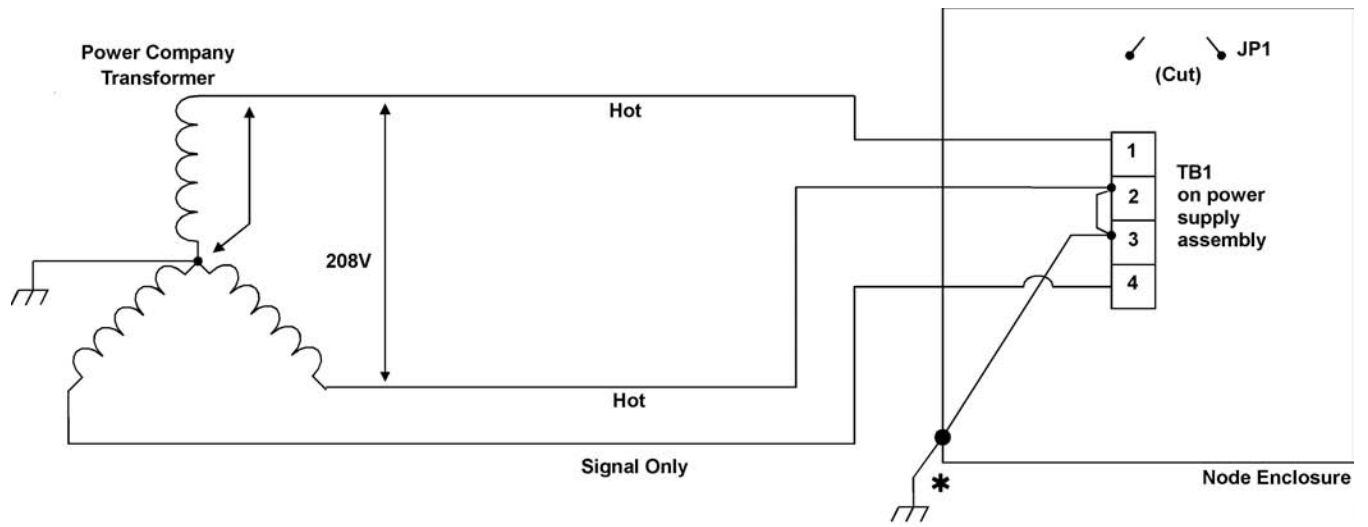
227/440V 3 PHASE INSTALLATION (L-N)

NOTE: CONNECTION OF TB1-4 TO A SECOND PHASE IS FOR SIGNAL COUPLING PURPOSES ONLY.



240V SINGLE PHASE INSTALLATION

*** IT IS RECOMMENDED THAT THE NODE BE GROUNDED PER THE NEC (National Electric Code)**



120/208V 3 PHASE INSTALLATION (L-L)

NOTE: CONNECTION OF TB1-4 TO A SECOND PHASE IS FOR SIGNAL COUPLING PURPOSES ONLY.

NOT RECOMMENDED FOR LIGHTNING SUSCEPTIBLE AREAS. USE L-N CONNECTION FOR BEST LIGHTNING IMMUNITY.

*** IT IS RECOMMENDED THAT THE NODE BE GROUNDED PER THE NEC (National Electric Code)**



Ericsson GE Mobile Communications Inc
Mountain View Road • Lynchburg, Virginia 24502