

MAINTENANCE MANUAL

**EDACS[®] INTERFACE
SERIAL MODULE
19C852323G1**

TABLE OF CONTENTS

	<u>Page</u>
SPECIFICATIONS	1
DESCRIPTION	2
CIRCUIT ANALYSIS.....	2
PARTS LIST	2
OUTLINE DIAGRAM.....	3
SCHEMATIC DIAGRAM	4

SPECIFICATIONS*

STATION FUNCTIONS Four (4) RIC, One (1) Reset, Six (6) GETC and One Computer Connection.
(Intra Cabinet Connection)

COMMON CABLE Straight through connections J1-1 to J2-1, through J1-15 to J2-15. J1 and J2 are
(Intra Cabinet Connection) DB-15 Male connectors.

CONNECTORS

DB-15

J1 15 position receptacle assemblies.
and
J2

Telephone

J3 thru J10 Modular jack: 6-position; sim to AMP 520425-3.
and J12 thru 14

J11 Modular jack: 8-position.

*These specifications are intended primarily for the use of the service technician. Refer to the appropriate Specifications Sheet in the applicable maintenance manual for the complete specifications.

DESCRIPTION

Serial Interface Module 19C852323G1 is used to collect and route serial data throughout an **Enhanced Digital Access Communication System (EDACS®)** through a common 15 conductor cable. This module mounts on EDACS Interface Panel 19D904009 and consists of Two (2) DB-15 female connectors J1 and J2 and eleven (11) telephone type modular (RJ12) jack connectors J3 through J10 and J12 through J14. The connections between connectors J1 and J2 are straight through 1-1, 2-2, 3-3, etc.

Connectors J3 through J10 and J12 through J14 connect to the common connections between J1 and J2. Connectors J3, J4, J5, and J10 are used for connecting serial data to/from Repeater Interconnect Controller (RIC) shelves. Connector J6 connects RESET lines. Connectors J7-J9, and J12-J14, are used to connect other SERIAL data as required. Eight pin connector J11 is a computer connector.

CIRCUIT ANALYSIS

The Serial Interface Module maps serial data circuits from a common cable to ten (10) modular jacks. These modular jacks connect to the various input/outputs within an EDACS (refer to Schematic Diagram 19C852321). The Serial Interface Module connections and functions are as follows:

From	Connects To	Function
J1/J2-1	J7/J8/J9 & J12/J13/J14-2	RX DATA
J1/J2-2	J7/J8/J9 & J12/J13/J14-4	TX DATA
J1/J2-3	J3/J4/J5/J10-5 & J11-2	REC MASTER
J1/J2-4	J3/J4/J5/J10-4 & J11-3	TX MASTER
J1/J2-5	J3/J4/J5/J10-6	REC BACKUP
J1/J2-6	J3/J4/J5/J10-2	TX BACKUP
J1/J2-7	No Connection	LEAD B
J1/J2-8	J6-2, 3, 4, 5	RESET
J1/J2-9	J7/J8/J9/J12/J13/J14-3	RX GND
J1/J2-10	J7/J8/J9/J12/J13/J14-5	TX GND
J1/J2-11	J3/J4/J5/J10-3 & J11-7	MASTER GND
J1/J2-12	No Connection	SIG GND 1
J1/J2-13	J3/J4/J5/J10-1	BACKUP GND
J1/J2-14	No Connection	SIG GND 2
J1/J2-15	No Connection	GND

NOTE

J6-J9 & J12-J14 are four loaded (positions 1 and 6 are not used).

PARTS LIST

EDACS® SERIAL INTERFACE MODULE 19C852323G1

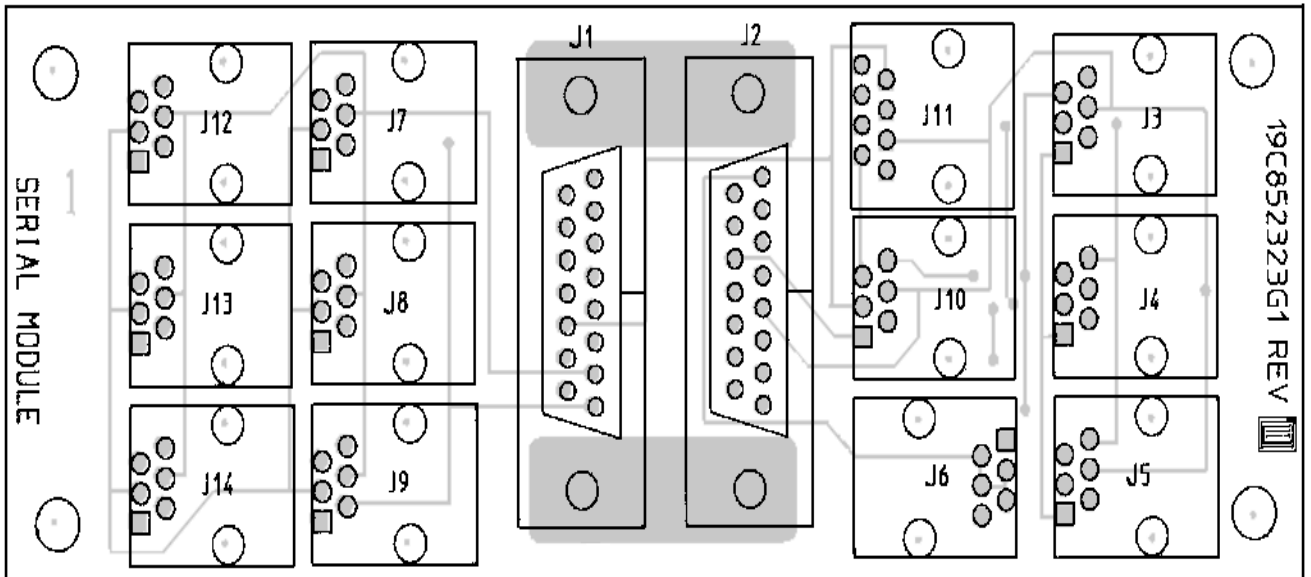
Issue 1

SYMBOL	PART NUMBER	DESCRIPTION
----- JACKS -----		
J1 and J2	19B209727P53	15 position receptacle assembly with screw-locks.
J3 thru J10	344A3288P1	Modular jack: 6-position; sim to AMP 520425-3.
J11	344A3288P2	Modular jack: 8-position; sim to
J12 thru J14	344A3288P1	Modular jack: 6-position; sim to AMP 520425-3.
----- MISCELLANEOUS -----		
2	19C852322P1	Printed Wire Board
4	N80P9004B6	Machine screw: No. 4-40 x 1/4.

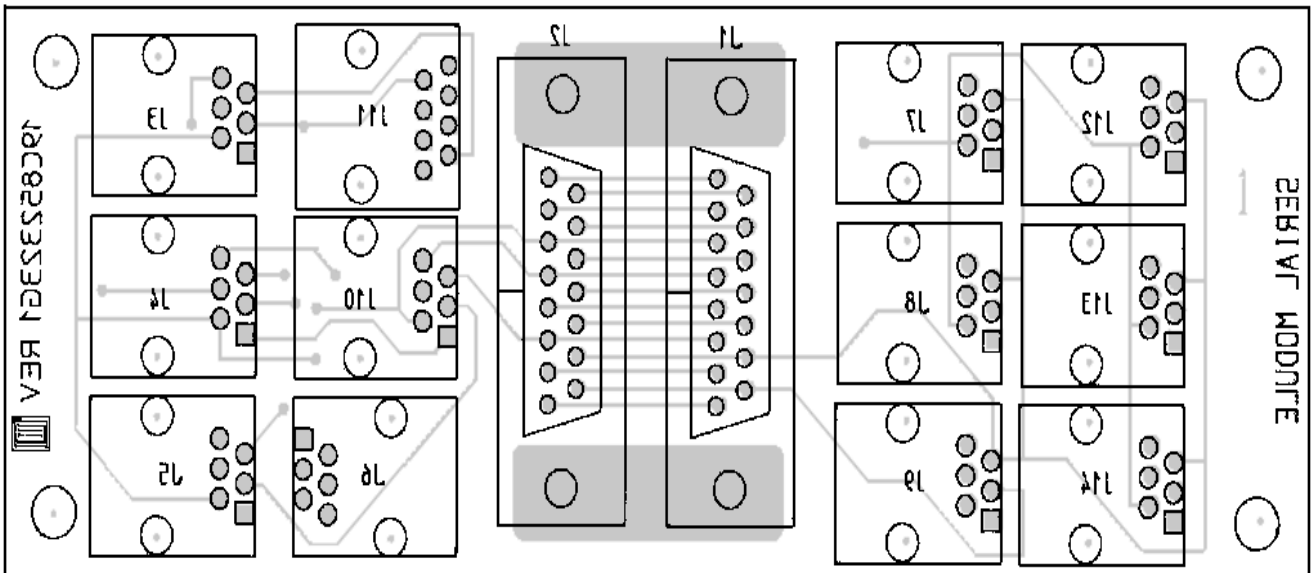
Ericsson Inc.

Private Radio Systems
Mountain View Road
Lynchburg, Virginia 24502
1-800-528-7711 (Outside USA, 804-528-7711)

COMPONENT SIDE

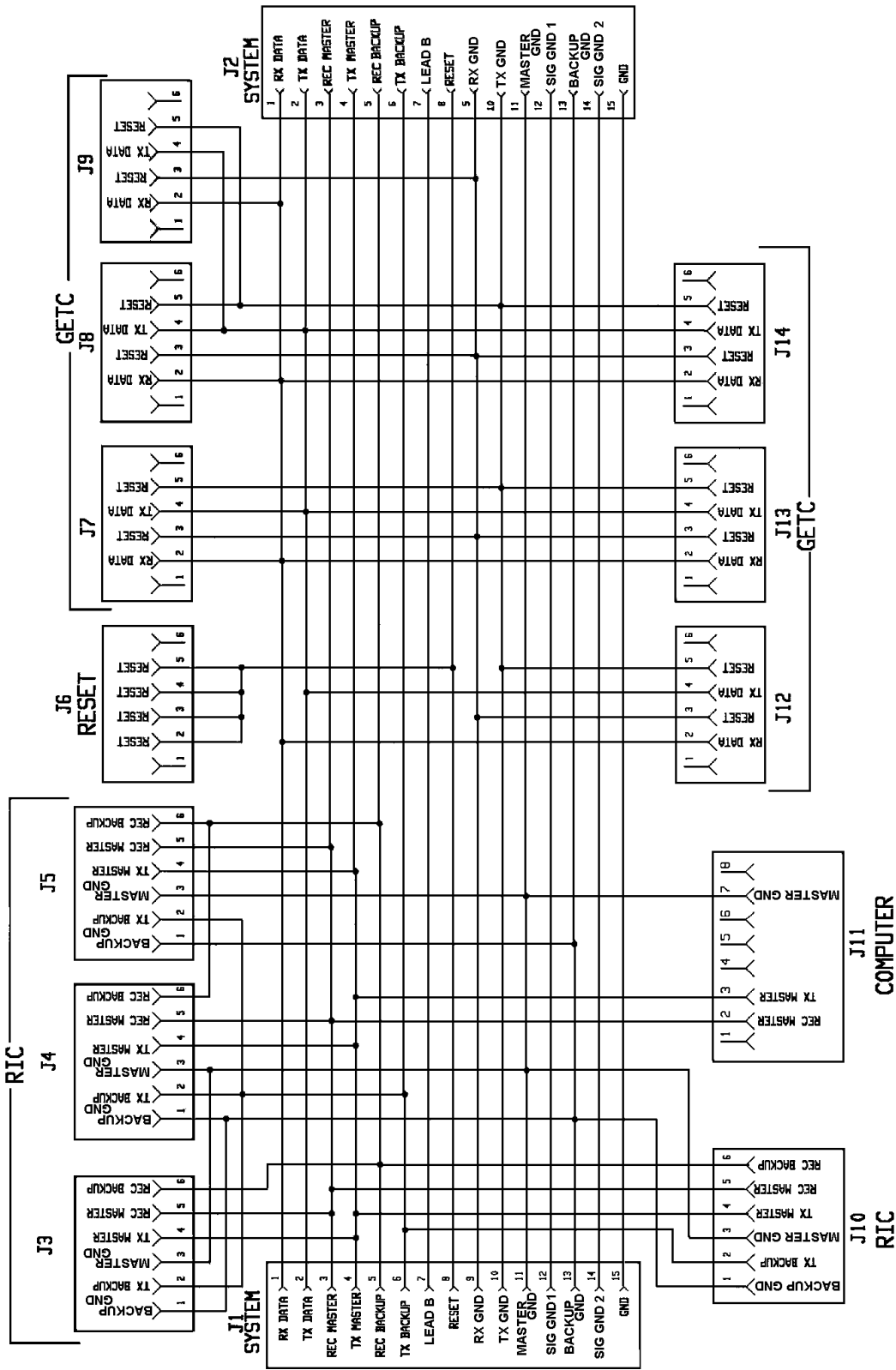


SOLDER SIDE



EDACS® SERIAL INTERFACE MODULE

(19C852323, Rev. 2)
(19C852322, Component Side, Rev. 1)
(19C852322, Solder Side, Rev. 1)



EDACS® SERIAL INTERFACE MODULE

(19C852321, Rev. 1)