

## MAINTENANCE MANUAL FOR TEST ADAPTOR MODEL 4EX12A10



General Electric Test Adaptor Model 4EX12A10 is designed to provide audio connections for servicing MASTR PR Model transmitters and receivers. The transmitter and receiver audio circuits are connected to the audio jacks on the front of the Test Adaptor by means of a cable that connects to the accessory jack on the radio. The audio jacks are mounted to permit use of a standard dual-banana plug.

The Test Adaptor is also equipped with a PTT switch, a SPKR-LOAD switch and a loudspeaker.

### TRANSMITTER SERVICING

When checking or setting the transmitter deviation; the output of the audio generator can be applied to the transmitter through XMIT AUDIO input jacks J1001 (Mic Hi) and J1002 (Mic Lo) as shown in the transmitter Test Procedure (see Table of Contents in the Maintenance Manual for the radio).

The transmitter leads contain a fixed, 20-dB attenuator (R1002 and R1003) so that a 140 millivolt signal applied to the Test Adaptor provides the desired 14 millivolt signal to the transmitter.

In radios equipped with the Remote Push-To-Talk option, the transmitter may be keyed by PTT switch S1001 on the Test Adaptor.

### RECEIVER SERVICING

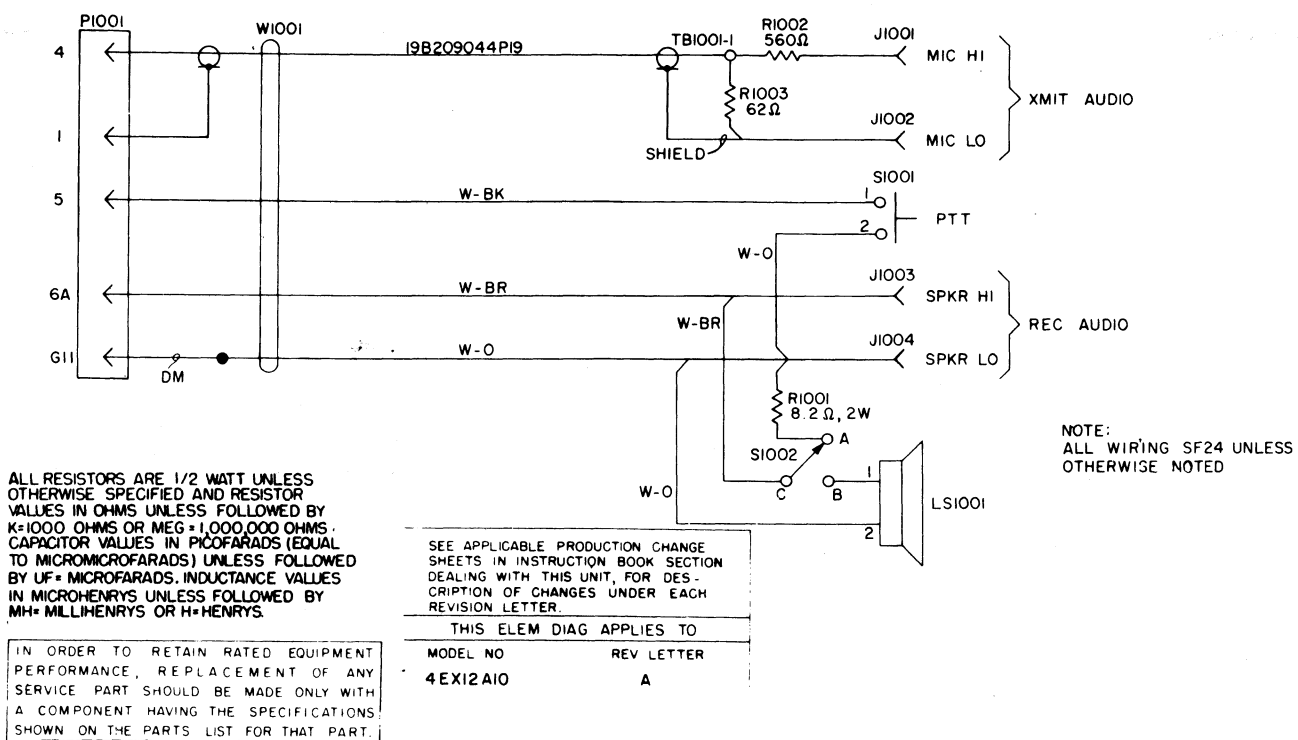
Audio from RX AUDIO output jacks J1003 (Speaker Hi) and J1004 (Speaker Lo) can be used to measure power output, distortion and sensitivity as shown in the receiver Test Procedure (see Table of Contents in Maintenance Manual for the radio).

Connecting the Test Adaptor cable to the radio disables the loudspeaker. Therefore, either the Test Adaptor loudspeaker LS1001 or load resistor R1001 may be selected by means of SPKR-LOAD switch S1002.

**PARTS LIST**  
**19C317296**

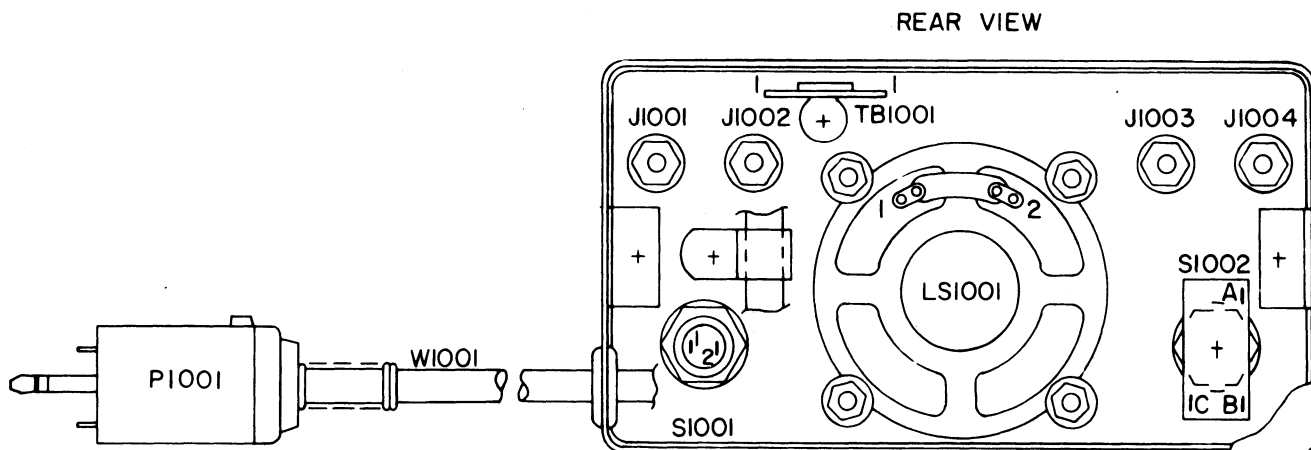
Symbol	GE Dwg No.	Description
- - - - - JACKS AND RECEPTACLES - - - - -		
J1001	19B209238-P1	Binding post: Red, 15 amp; sim to H H Smith 1517
J1002	19B209238-P2	Binding post: Black, 15 amp; sim to H H Smith 1517
J1003	19B209238-P1	Binding post: Red, 15 amp; sim to H H Smith 1517
J1004	19B209238-P2	Binding post: Black, 15 amp; sim to H H Smith 1517
- - - - - LOUDSPEAKERS - - - - -		
LS1001	19A116151-P1	Permanent magnet, 2-1/4 inch: 8 ohms $\pm$ 10% voice coil imp, 600 Hz $\pm$ 100% resonant, paper dust cap; sim to Oaktron 33A1811
- - - - - RESISTORS - - - - -		
R1001	19B209022-P37	Wirewound: 8.2 ohms $\pm$ 5%, 2 W
R1002	3R77-P561J	Composition: 560 ohms $\pm$ 5%, 1/2 W
R1003	3R77-P620J	Composition: 62 ohms $\pm$ 5%, 1/2 W
- - - - - SWITCHES - - - - -		
S1001	19B209165-P1	Push: SPST, momentary contact, normally open, 1 amp at 15 VAC; sim to Grayhill Inc 30-17R (red button)
S1002	5491899-P1	Toggle: SPDT, 3 amps at 125 VAC/VDC; sim to Cutler-Hammer 8282K13
- - - - - CABLES - - - - -		
W1001	19C317262-G11	Cable, RF: approx. 4 feet; includes P1001
- - - - - PLUGS - - - - -		
P1001	19C317240-P1	Plug: 5 contacts; sim to Component Mfg 7712
- - - - - MISCELLANEOUS - - - - -		
	19B209044-P10	Cable, RF: Approx 4 feet
- - - - - MECHANICAL PARTS - - - - -		
	19B205453-G3	Housing
	19A127663-G1	Plate
	NP257991	Nameplate
	5490407-P4	Grommet, rubber
	7763541-P3	Clip, spring tension
	19B216773-P1	Grille
	N402P65C13	Flatwasher

### SCHEMATIC DIAGRAM



(19B216919, Rev. 3)

### OUTLINE DIAGRAM



(19B216988, Rev. 1)

## PRODUCTION CHANGES

Changes in the equipment to improve performance or to simplify circuits are identified by a "Revision Letter", which is stamped after the model number of the unit. The revision stamped on the unit includes all previous revisions. Refer to the Parts List for descriptions of parts affected by these revisions.

REV. A - To incorporate new cable.  
Changed W1001.

---

MOBILE RADIO DEPARTMENT  
GENERAL ELECTRIC COMPANY • LYNCHBURG, VIRGINIA 24502

GENERAL  ELECTRIC