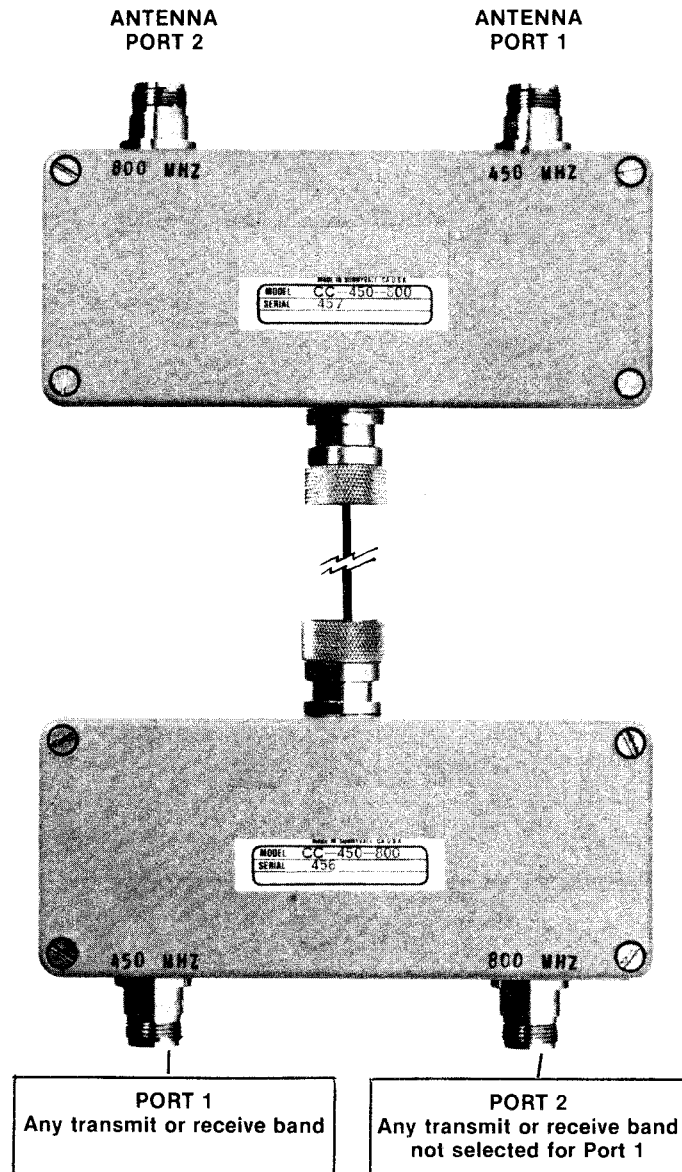


CROSSBAND COUPLERS

TRANSMIT AND/OR RECEIVE BANDS

- LB
- VHF
- UHF
- 806-960 MHz



FEATURES

- Allows at least two different frequency bands to use one transmission line.
- Eliminates costly transmission line & installation time
- Eliminates tower loading problems.
- Low Loss
- Weatherproof



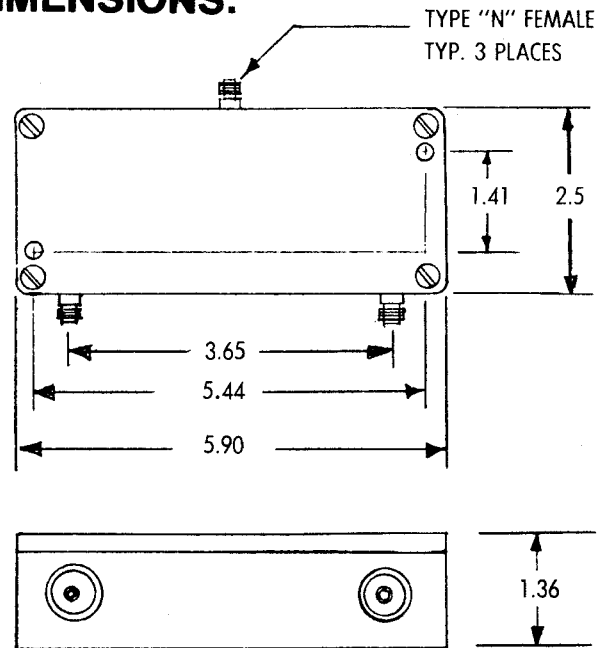
GENERAL INFORMATION:

The primary function of the Crossband Coupler is to provide an economical, high performance means to allow different frequency band base stations and antennas to use a single transmission line.

Crossband Couplers allow reduction in installation and cable costs since at least one cable run is eliminated, thus tower loading is kept to a minimum.

All units are waterproof and feature through mounting holes for simplified installation; one of the pair can be provided on a standard 19-inch panel (see options).

DIMENSIONS:



SPECIFICATIONS:

MODEL	FREQUENCY BANDS		ISOLATION	SYSTEM INSERTION LOSS (PAIR)	*INPUT POWER EACH PORT	OPERATING TEMPERATURE
	Port 1	Port 2				
CC150-420	0-174 MHz	406-420 MHz	50db	.6db	500 watts	-30° to +70° C
CC150-450	0-174 MHz	450-512 MHz	50db	.6db	500 watts	-30° to +70° C
CC150-800	0-174 MHz	800-960 MHz	50db	.5db	500 watts	-30° to +70° C
CC450-800	0-512 MHz	800-960 MHz	50db	.7db	500 watts	-30° to +70° C

**Input power specified at 50% Duty Cycle: Input power each port at 100%. Duty cycle is 250 watts.*

Ordering Information:

Select and order model according to frequency bands. Exact transmit frequencies are not required. Add suffix "P" for panel option.

Option:

Standard 5.25 inch high, 19 inch rack mount panel for easy equipment room installation. Add suffix "P" to model number.

Terms:

Prices are F.O.B. Merrimack. Invoices are due Net 30 days and standard delivery is 30 days A.R.O. unless otherwise stated.

Warranty:

M/A-COM LMC warrants all items against defective material and/or workmanship for a period of one year.