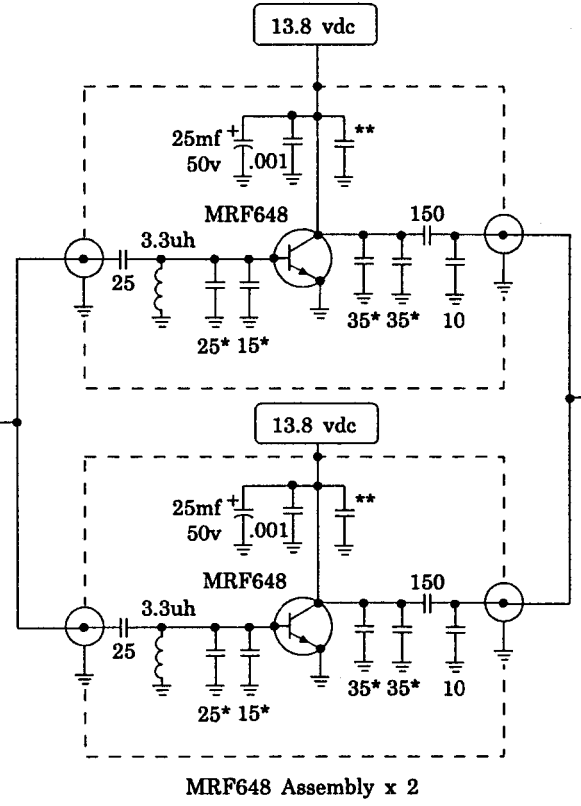
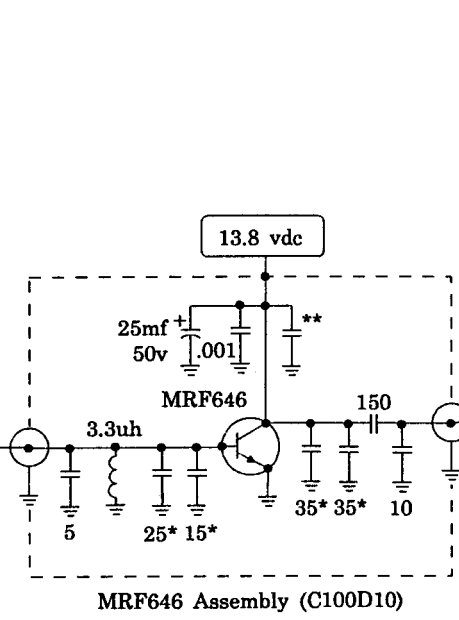
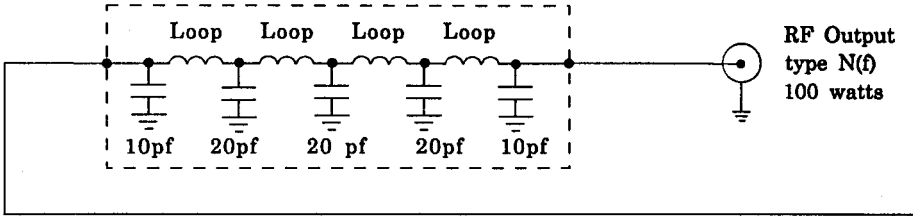


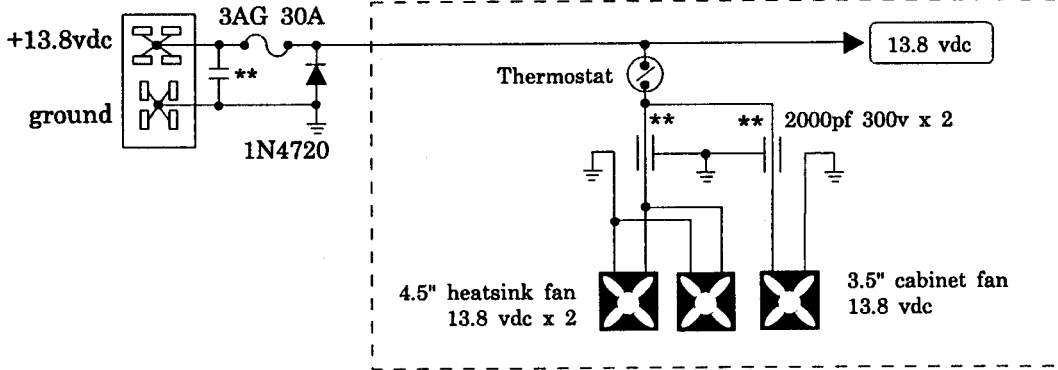
RF Input
type N(f)
10 watts



Filter Board



Used only in Repeater or Paging Package



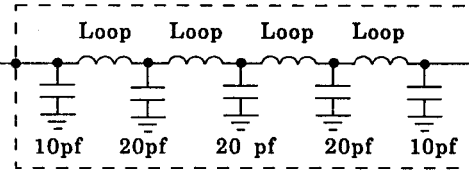
Henry C100D Series of Amplifiers
Henry C100D10R

* = Typical value, may be frequency selected.
** = .1 mf bypass capacitor to ground.

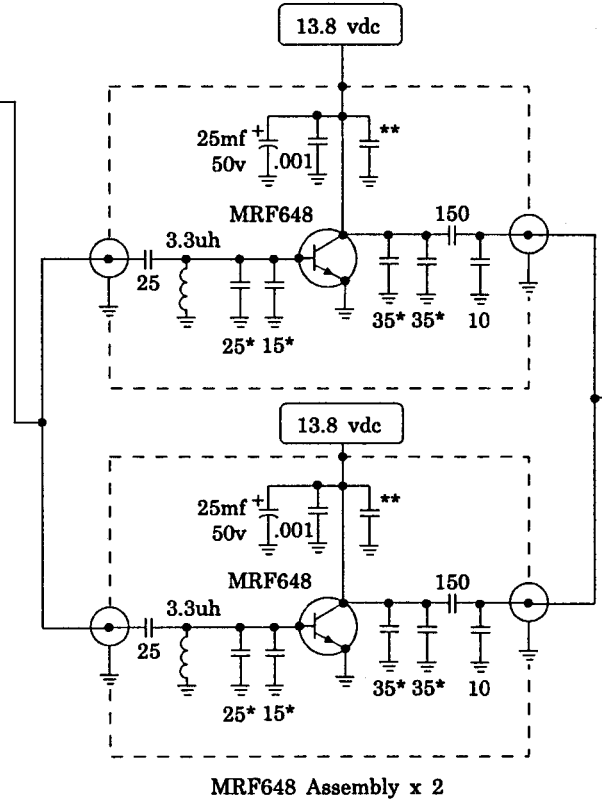
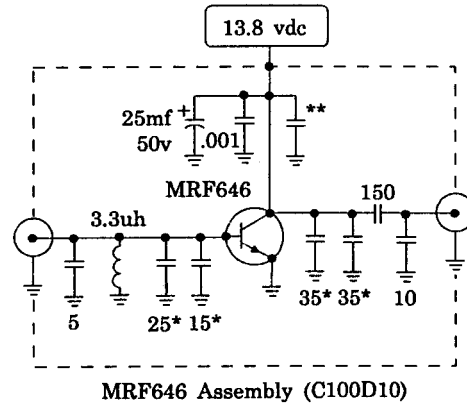
RF Input
type N(f)
30 watts



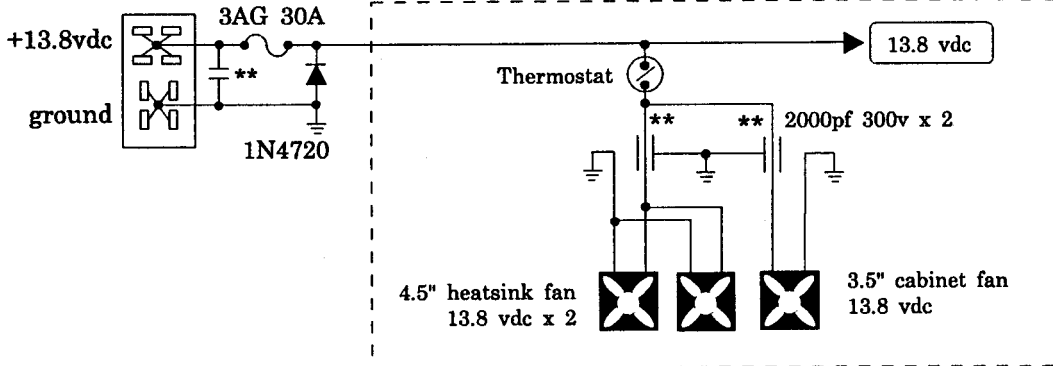
Filter Board



RF Output
type N(f)
100 watts



Used only in Repeater or Paging Package



Henry C100D Series of Amplifiers
Henry C100D30R

* = Typical value, may be frequency selected.
** = .1 mf bypass capacitor to ground.