



SERVICE MANUAL

UHF REPEATER

IC-RP4020

INTRODUCTION

This service manual describes the latest service information for the **IC-RP4020** UHF REPEATER at the time of publication and covers the following versions:

VERSION NUMBER	REGION	SYMBOL	RF POWER	AC POWER
#02	Europe	EUR	10 W	220 V
#03	Europe	EUR	25 W	240 V
#04	U.S.A.	USA	25 W	117 V
#05	Europe	EUR	50 W	240 V
#06	U.S.A.	USA	50 W	117 V

DANGER

NEVER connect the repeater to a DC backup battery that uses more than 16 V. This will ruin the repeater.

DO NOT expose the repeater to rain, snow or any liquids.

DO NOT apply an RF signal of more than 20 dBm (100 mW) to the antenna connector. This could damage the repeater's front end.



ORDERING PARTS

Be sure to include the following four points when ordering replacement parts:

1. 10-digit order numbers
2. Component part number and name
3. Equipment model name and unit name
4. Quantity required

<SAMPLE ORDER>

1110001000 IC μ PC1651G IC-RP4020 TX UNIT 5 pieces
8810004690 Screw BiH M4 \times 5 ZK BS IC-RP4020 Top cover 10 pieces

Addresses are provided on the inside back cover for your convenience.

REPAIR NOTE

1. Make sure a problem is internal before disassembling the repeater.
2. **DO NOT** open the repeater until the repeater is disconnected from its power source.
3. **DO NOT** force any of the variable components. Turn them slowly and smoothly.
4. **DO NOT** short any circuits or electronic parts. An insulated tuning tool **MUST** be used for all adjustments.
5. **DO NOT** keep power ON for a long time when the repeater is defective.
6. **DO NOT** transmit power into a signal generator or a sweep generator.
7. **ALWAYS** connect a 40 dB~50 dB attenuator between the repeater and a deviation meter or spectrum analyzer when using such test equipment.
8. **READ** the instructions of test equipment thoroughly before connecting equipment to the repeater.

TABLE OF CONTENTS

SECTION 1	SPECIFICATIONS	1—1
SECTION 2	INSIDE VIEWS	2—1
SECTION 3	CIRCUIT DESCRIPTION	3—1 ~ 6
3-1	RECEIVER CIRCUITS	3—1
3-2	TRANSMITTER CIRCUITS	3—2
3-3	PLL CIRCUITS	3—4
3-4	VOLTAGE LINES	3—5
3-5	REGULATOR CIRCUITS	3—5
3-6	DTMF DECODER CIRCUIT	3—5
3-7	OTHER CIRCUITS	3—6
SECTION 4	MECHANICAL PARTS AND DISASSEMBLY	4—1 ~ 5
4-1	FRONT PARTS	4—1
4-2	ACCESSORIES	4—1
4-3	CHASSIS PARTS	4—3
4-4	REAR PARTS	4—5
SECTION 5	PARTS LIST	5—1 ~ 9
SECTION 6	ADJUSTMENT PROCEDURES	6—1 ~ 6
6-1	PREPARATION BEFORE SERVICING	6—1
6-2	TX PLL ADJUSTMENT	6—2
6-3	RECEIVER ADJUSTMENT	6—2
6-4	TRANSMITTER ADJUSTMENT	6—3
SECTION 7	BOARD LAYOUTS	7—1 ~ 7
7-1	FRONT UNIT	7—1
7-2	LOGIC-A UNIT	7—2
7-3	LOGIC UNIT	7—3
7-4	RX, R-VCO AND T-VCO UNITS	7—4
7-5	TX, R-DC-DC AND T-DC-DC UNITS	7—5
7-6	PA AND DIN UNITS	7—6
7-7	REG-A AND REG-B UNITS	7—7
SECTION 8	BLOCK DIAGRAM	8—1
SECTION 9	VOLTAGE DIAGRAM	9—1 ~ 2

To upgrade quality, all electrical and mechanical parts and internal circuits are subject to change without notice or obligation.

SECTION 1 SPECIFICATIONS

■ GENERAL

- Frequency coverage : 430~450 MHz
- Mode : F3 (FM)
- Initial tuning step : 5 or 12.5 kHz (selectable)
- Antenna impedance : 50 Ω (unbalanced)
- Power supply requirement :

U.S.A. version	100~120 V AC
Europe version	220~240 V AC
All versions	13.8 V DC \pm 15 % (negative ground)

- Current drain (at 13.8 V DC) :

Transmit	10 W version	7.0 A
	25 W version	10.0 A
	50 W version	17.0 A
Receive	Squelched	1.0 A
	Max. audio output	1.2 A

- Usable temperature range : $-10^{\circ}\text{C} \sim +60^{\circ}\text{C}$ ($+14^{\circ}\text{F} \sim +140^{\circ}\text{F}$)
- Frequency stability : ± 1.0 ppm ($-10^{\circ}\text{C} \sim +60^{\circ}\text{C}$; $+14^{\circ}\text{F} \sim +140^{\circ}\text{F}$)
- Dimensions : 425 (W) \times 149 (H) \times 368 (D) mm; 16.7 (W) \times 5.9 (H) \times 14.5 (D) in
(Projections not included)
- Weight : 17 kg (37.5 lb)

■ TRANSMITTER

- Output power : 10 W (#02)
25 W (#03, #04)
50 W (#05, #06)
- Modulation system : Variable reactance frequency modulation
- Max. frequency deviation : ± 5.0 kHz
- Spurious emissions : -60 dB
- Microphone impedance : 600 Ω

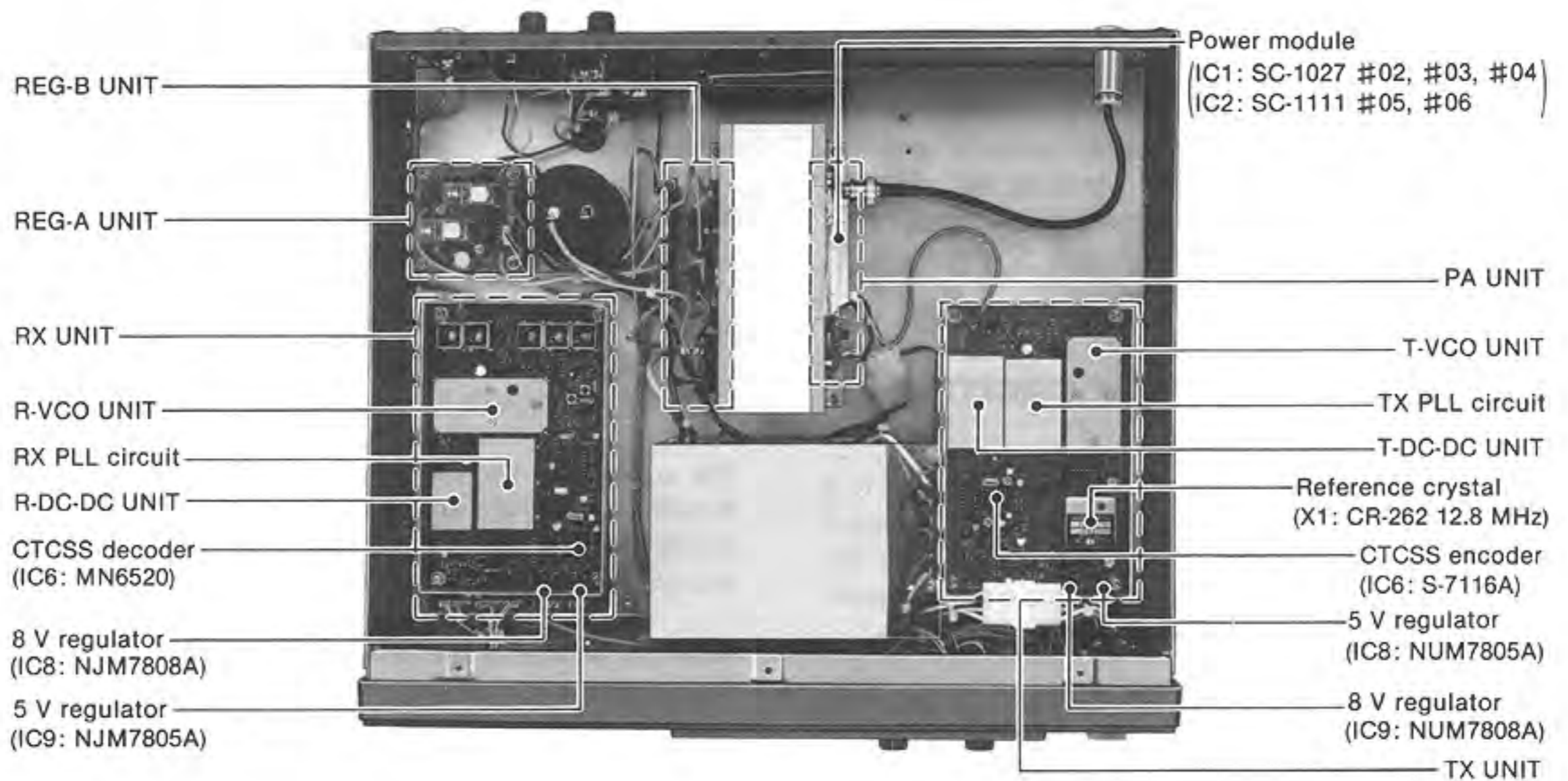
■ RECEIVER

- Receive system : Double-conversion superheterodyne
- Intermediate frequencies : 1st 30.875 MHz
2nd 455 kHz
- Sensitivity : 0.32 μV for 12 dB SINAD
- Tight squelch sensitivity : 0.25 μV
- Selectivity : More than 15 kHz/ -6 dB
Less than 30 kHz/ -60 dB
- Spurious rejection : -60 dB
- Audio output power : 1.7 W at 10 % distortion with an 8 Ω load
- Audio output impedance : 8 Ω

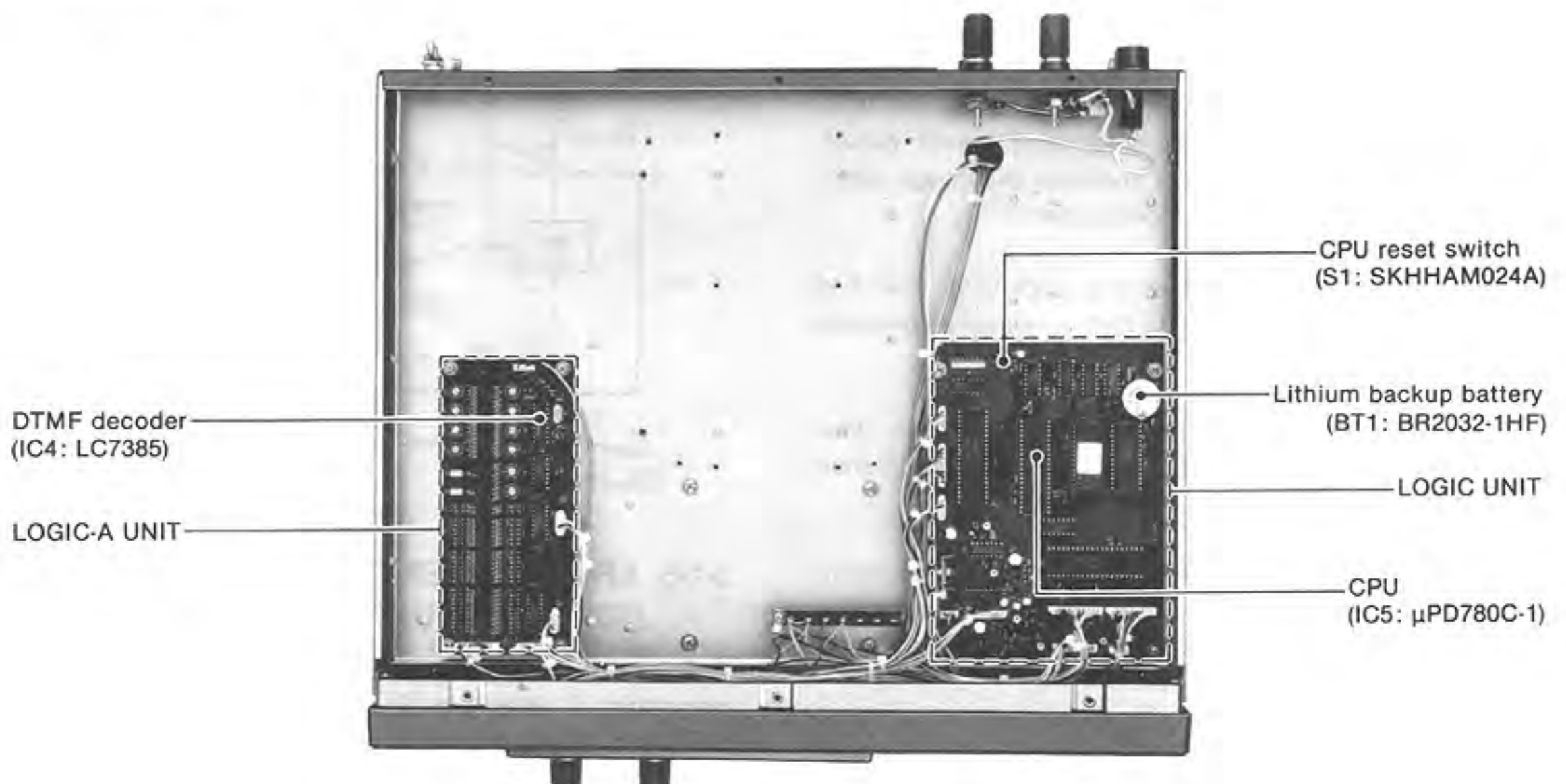
All stated specifications are subject to change without notice or obligation.

SECTION 2 INSIDE VIEWS

• TOP VIEW



• BOTTOM VIEW



SECTION 3 CIRCUIT DESCRIPTION

3-1 RECEIVER CIRCUITS

3-1-1 RF CIRCUIT (RX UNIT)

Received signals enter the antenna connector (J6) and pass through a bandpass filter (C1, C2, C4~C6, C8, L1, L2). The filtered signals are applied to an RF amplifier (Q1). The RF amplifier (Q1) employs an FET (3SK121) which expands the dynamic range with low noise. The RF signals are applied to a bandpass filter (C14, C15, C17~C19, C21~C23, C25, L4~L6).

3-1-2 1st MIXER AND 1st IF CIRCUITS (RX UNIT)

The 1st mixer circuit converts the received signals to a fixed frequency of the 1st IF signal with a PLL output frequency. By changing a PLL frequency, only the desired frequency can be passed through a pair of crystal filters at the next stage of the 1st mixer.

The filtered signals are applied to a 1st mixer (Q2) and are then mixed with a 399.125 MHz~419.125 MHz 1st LO signal from the PLL circuit to produce a 30.875 MHz 1st IF signal.

The 30.875 MHz 1st IF signal is applied to FI1. FI1 is an MCF (Monolithic Crystal Filter) which suppresses out-of-band signals. The 1st IF signal is applied to a 1st IF amplifier (Q3).

3-1-3 2nd IF AND DEMODULATOR CIRCUITS (RX UNIT)

The 2nd mixer circuit converts the 1st IF signal to a 2nd IF signal. A double superheterodyne system (which converts receive signals twice) improves the image rejection ratio and obtains stable receiver gain.

The amplified signal is applied to a 2nd mixer (Q4) and is then mixed with a 30.42 MHz 2nd LO signal to produce a 455 kHz 2nd IF signal.

The 455 kHz 2nd IF signal is applied to a ceramic filter (FI2) where unwanted signals are suppressed and then to a limiter amplifier section in pin 5 of IC1.

IC1 contains the local oscillator circuit, limiter amplifier, quadrature detector circuit and active filter circuit. The local oscillator section and X1 generate 30.42 MHz for the 2nd LO signal.

The 2nd IF signal from the limiter amplifier (IC1, pin 5) is applied to the quadrature detector section (IC1, pin 8 and ceramic discriminator X2) to demodulate the 2nd IF signal into an AF signal. The AF signal is output from pin 9 of IC1.

3-1-4 SQUELCH CIRCUIT (RX AND LOGIC UNITS)

A squelch circuit cuts out AF signals when no RF signal is received. By detecting noise components in the AF signals, the squelch circuit switches the AF mute switches.

Some noise components in the AF signal from pin 9 of IC1 are applied to an active filter section (IC1, pin 10) via a de-emphasis circuit (R26, C51~C53). This circuit is an integrated circuit with frequency characteristics of -6 dB/octave. The [SQUELCH] control (R2) on the FRONT PANEL adjusts the input level of pin 10 of IC1.

The active filter section amplifies noise components of frequencies of 20 kHz and above and outputs the resulting signals from pin 11. Output signals are rectified by D4 and D5 and are then converted to DC voltage.

When the rectified noise voltage is "HIGH", Q5 turns ON. The collector of Q5 outputs the squelch signal. The signal is applied to pin 16 of IC9 on the LOGIC UNIT through the "SQL-S" signal line.

When the rectified noise voltage is "LOW", Q5 turns OFF. The collector of Q9 outputs the busy signal. The signal is applied to the [BUSY] indicator on the LED UNIT through the "BUSY" signal line. The [BUSY] indicator lights up in green.

• 2nd IF AND DEMODULATOR CIRCUITS

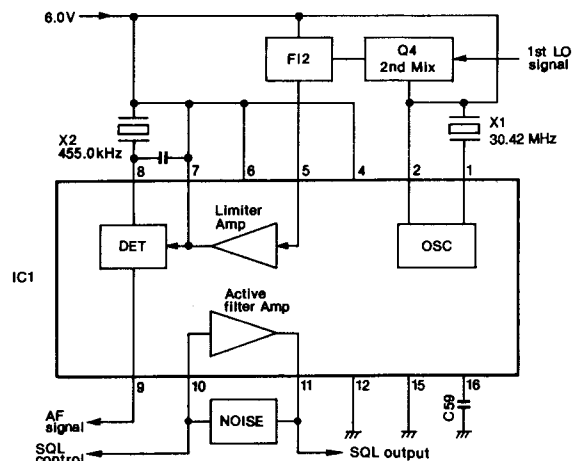


Fig. 1

3-1-5 AF AMPLIFIER CIRCUIT (RX AND AF UNITS)

The AF signal output from pin 9 of IC1 is applied to a monolithic IC (IC2, pin 3) which functions as a high-pass and low-pass filter. The filtered signal is output from pin 7 of IC2 and is then applied to the [VOLUME] control (R1) on the FRONT PANEL through an AF mute switch (Q6). When the squelch is closed, Q6 cuts off the AF signal as an AF mute switch. The AF signal is power-amplified at an AF power amplifier (IC1) on the AF UNIT to drive a speaker.

3-2 TRANSMITTER CIRCUITS

3-2-1 MICROPHONE AMPLIFIER CIRCUIT (TX AND T-VCO UNITS)

The AF signal from the microphone is applied to a microphone amplifier (Q8). The amplified signal passes through a microphone mute switch (Q9) and is then mixed with the "MOD" signal from IC15 on the LOGIC UNIT. The signal is applied to a limiter (IC7, pin 3) and is then output from pin 1 of IC7.

The output signal from pin 1 of IC7 is applied to the splatter filter circuit (IC7, R55, R59, R60, C56, C61, C62) which attenuates the components of frequencies of 3 kHz and above. Pin 7 of IC7 outputs a "MOD" signal. The "MOD" signal is applied to the T-VCO UNIT.

3-2-2 MODULATION CIRCUIT (T-VCO AND TX UNITS)

The modulation circuit modulates the VCO oscillating signal (RF signal) using the microphone audio signal.

The "MOD" signal from pin 7 of IC7 changes the reactance of varactor diodes (D3) to modulate the oscillated signal at T-VCO (Q1). The oscillated signal is buffer-amplified at Q2.

The signal passes through the buffer-amplifiers (IC1 and Q2) on the TX UNIT and then is applied to the drive amplifier circuit depending on the output power.

3-2-3 DRIVE AMPLIFIER CIRCUIT (PA UNIT)

(1) 10 W AND 25 W TYPES

The drive amplifier (Q1) amplifies the signal to obtain 200 mW.

The control voltage from the APC circuit is applied to the collector of Q1 for stable RF output power from a power amplifier (IC1).

(2) 50 W TYPE

The drive amplifier (IC1) amplifies the signal to obtain 7 W.

The control voltage from the APC circuit is applied to IC1 (pin 2) for stable RF output power from a power amplifier (IC2).

3-2-4 RF POWER AMPLIFIER (PA UNIT)

(1) 10 W AND 25 W TYPES

IC1 is a power module which provides a stable 10 W or 25 W (DC 13.8V) of output power.

An RF signal from the drive amplifier (Q1) is applied to pin 1 of IC1. The amplified signal is output from pin 4 of IC1 and is applied to the RF detector circuit and low-pass filter circuit. Then, the filtered signal is applied to the T-FIL UNIT through J3 and the antenna connector.

(2) 50 W TYPE

IC2 is a power module which provides a stable 50 W (DC 13.8 V) of output power.

An RF signal from the drive amplifier (IC1, pin 4) is applied to pin 1 of IC2. The amplified signal is output from pin 4 of IC2 and applied to the antenna connector through the RF detector circuit and low-pass filter circuit. Then, the filtered signal is applied to the T-FIL UNIT through J3 and the antenna connector.

• MICROPHONE AMPLIFIER CIRCUIT

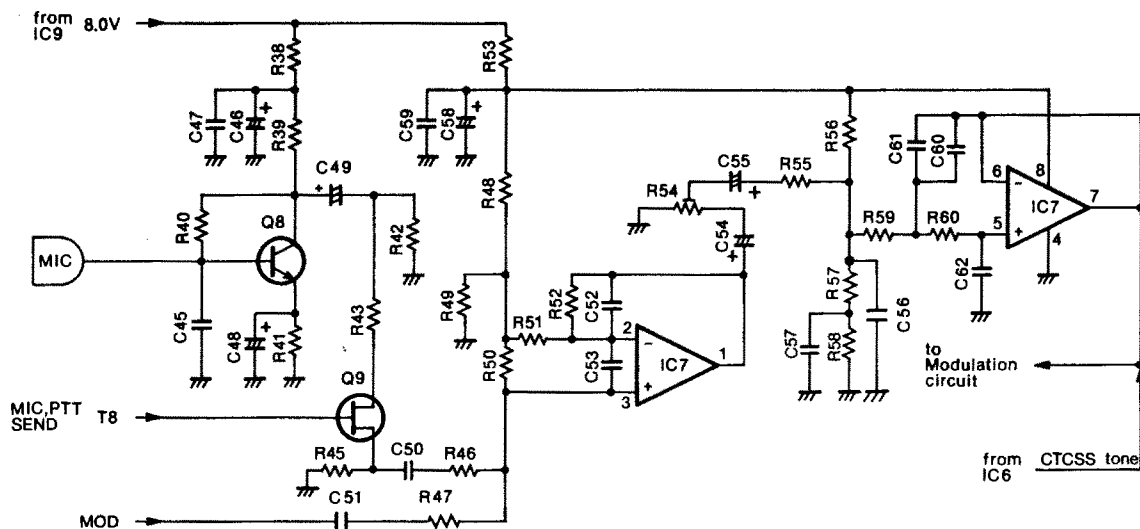


Fig. 2

3-2-5 APC CIRCUIT (PA UNIT)

This circuit controls a current of the power module's first stage and a current of the driver amplifier to obtain stable RF output power.

(1) 10 W AND 25 W TYPES

The APC mismatch detector circuit consists of C13, C14, C17, C18, C25, D2, D3, L3, R8 and R9. When the antenna impedance is matched at 50 Ω , the detected voltage by D2 and D3 is at its minimum. The detected voltage is applied to a differential amplifier (IC2, pin 6). The APC reference voltage is applied to pin 5 of IC2.

When the antenna impedance is mismatched, the voltage of IC2 (pin 6) exceeds the reference voltage of IC2 (pin 5). The output level from IC2 (pin 7) decreases. Q2 amplifies the current from the differential amplifier (IC2) which controls Q3. Q3 changes the supply voltage to Q1 and IC1.

This decreases the output power from the drive amplifier (Q1) and power amplifier (IC1) until the input voltage of IC2 (pin 6) reaches the same level as pin 5 of IC2.

• APC CIRCUIT

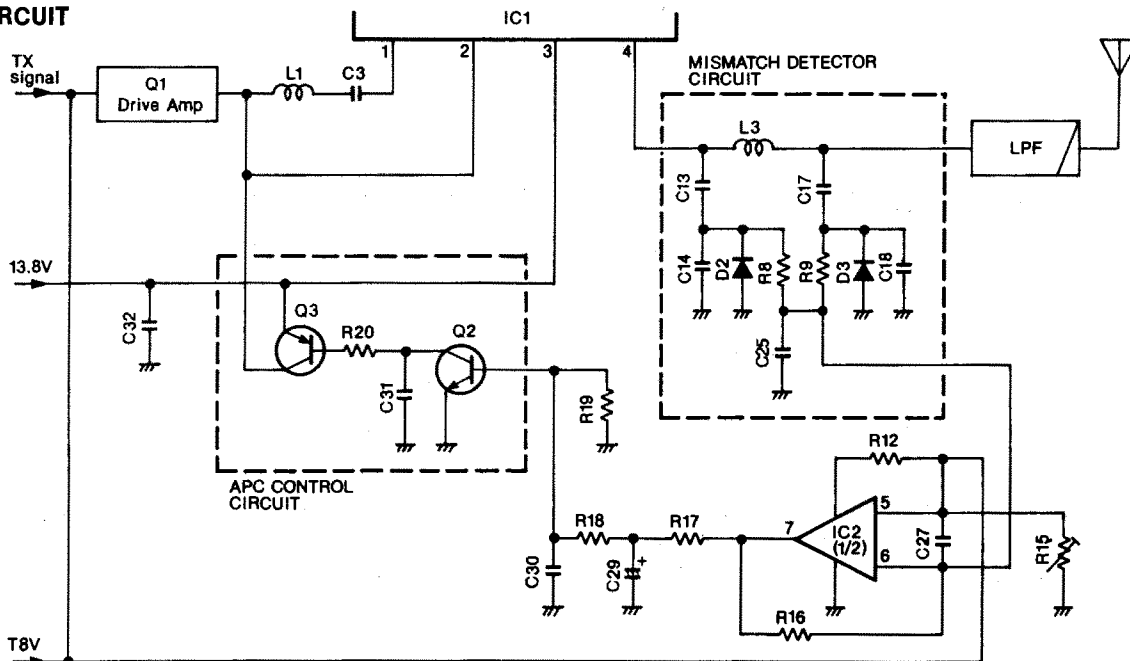


Fig. 3

(2) 50 W TYPE

The APC mismatch detector circuit consists of C18, C19, C22, C23, C30, D1, D2, L1, R5 and R6. When the antenna impedance is matched at 50 Ω , the detected voltage by D1 and D2 is at its minimum. The detected voltage is applied to a differential amplifier (IC4, pin 6). The APC reference voltage is applied to pin 5 of IC4.

When the antenna impedance is mismatched, the voltage in pin 6 of IC4 exceeds the reference voltage in pin 5 of IC4. The output level from pin 7 of IC4 decreases. Q1 amplifies the current from the differential amplifier (IC4) which controls Q2. Q2 changes the supply voltage to IC1 and IC2.

This decreases the output power from the drive amplifier (IC1) and power amplifier (IC2) until the input voltage in pin 6 of IC4 reaches the same level as pin 5 of IC4.

• APC CIRCUIT

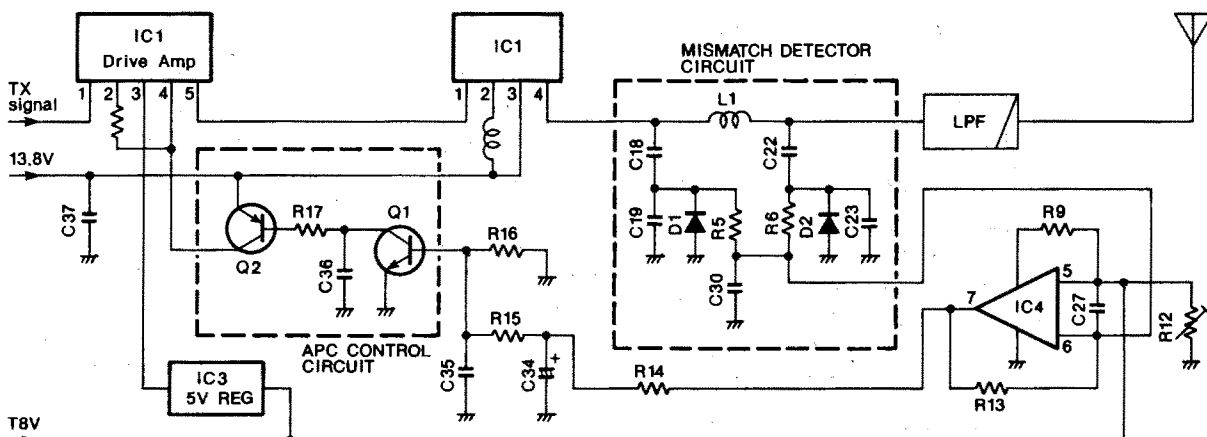


Fig. 4

3-3 PLL CIRCUITS

3-3-1 GENERAL

Each receiver and transmitter circuit has an independent PLL circuit for controlling frequencies. All PLL circuits are shielded and installed on the RX and TX UNITS.

PLL circuits steadily oscillate the transmit frequency and the receive local frequency. The PLL output frequency is controlled by the divided ratio (N-data) of the programmable divider.

3-3-2 RECEIVER PLL CIRCUIT (RX UNIT)

The PLL circuit, using a PLL IC (IC3) and dual modulus prescaler (IC4) on the RX UNIT, generates the 1st LO frequency with a Colpitts VCO (Q1) on the R-VCO UNIT. The PLL IC sets the dividing ratio based on serial data from the CPU and controls the dual modulus prescaler. The PLL IC compares the phases of a VCO signal with the reference oscillator frequency and detects the out-of-step phase. Then, the VCO signal is output from the PLL IC (pins 16 and 17).

3-3-3 RECEIVER REFERENCE OSCILLATOR CIRCUIT (RX AND TX UNITS)

A 12.8 MHz reference frequency is produced by the oscillator (X1) on the TX UNIT. The frequency is adjusted with R24. The reference frequency is buffer-amplified at Q5 and applied to the PLL IC (IC3, pin 2) on the RX UNIT.

3-3-4 RECEIVER LOOP FILTER AND DC-DC CONVERTER CIRCUITS (RX AND R-DC-DC UNITS)

Phase-detected signals from IC3 (pins 16 and 17) are converted to DC voltage by a loop filter consisting of an active filter (Q10, Q11).

The frequency at which the VCO oscillates is controlled by varactor diodes (D1, D2) on the R-VCO UNIT. DC voltage (PLL lock voltage) is provided through the integrator circuit (R32, C110).

The DC-DC converter circuit (IC1 and Q1) on the R-DC-DC UNIT creates approximately 20 V DC from 5 V DC to obtain a wide range of lock voltages for the PLL circuits.

3-3-5 RECEIVER VCO CIRCUIT (R-VCO UNIT)

The VCO circuit (Q1, D1, D2) generates the receive frequency. Strip lines are used for stable oscillation over a wide frequency range. Varactor diodes (D1, D2) provide frequency control. The buffer amplifier (Q2) amplifies VCO oscillation and does not permit the latter circuit to affect the VCO oscillation. The signal is divided by 64 or 65 in the dual modulus prescaler (IC4). The phase-divided signal is output from pin 5 of IC4 and applied to the PLL IC (IC3, pin 6).

3-3-6 RECEIVER UNLOCK SENSOR CIRCUIT (RX AND LOGIC UNITS)

When the PLL circuit is unlocked, pin 13 of IC3 becomes "HIGH". The "HIGH" signal is applied to pin 14 of IC9 as an unlock signal on the LOGIC UNIT.

• PLL CIRCUITS

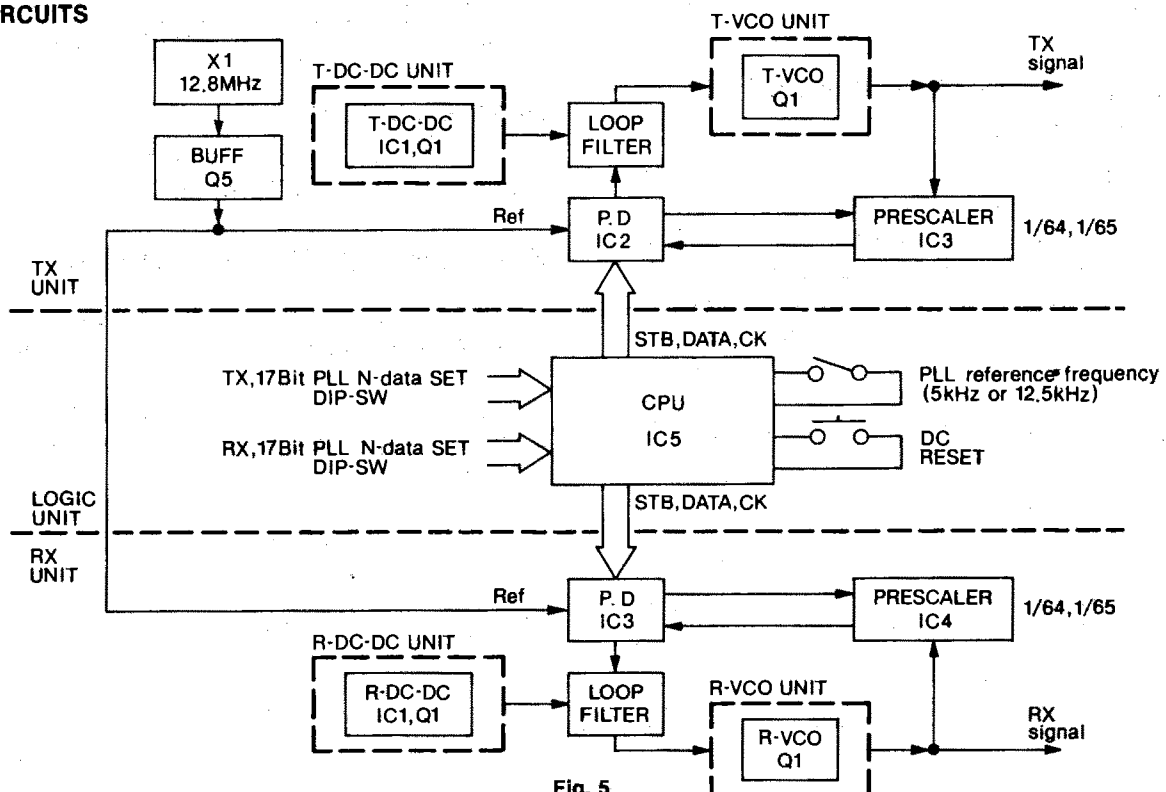


Fig. 5

3-3-7 TRANSMITTER PLL CIRCUIT (TX UNIT)

The PLL circuit, using a PLL IC (IC2) and dual modulus prescaler (IC3) on the TX UNIT, generates the transmit frequency with a Colpitts VCO (Q1) on the T-VCO UNIT. The PLL IC sets the dividing ratio based on serial data from the CPU and controls the dual modulus prescaler. The PLL IC compares the phases of a VCO signal with the reference oscillator frequency and detects the out-of-step phase. Then, the VCO is output from the PLL IC (IC2, pins 16 and 17).

3-3-8 TRANSMITTER REFERENCE OSCILLATOR CIRCUIT (TX UNIT)

A 12.8 MHz reference frequency is produced by the oscillator (X1). The frequency is adjusted with R24. The reference frequency is buffer-amplified at Q5 and applied to the PLL IC (IC2, pin 2).

3-3-9 TRANSMITTER LOOP FILTER AND DC-DC CONVERTER CIRCUITS (TX AND T-DC-DC UNITS)

Phase-detected signals from IC2 (pins 16 and 17) are converted to DC voltage by a loop filter consisting of an active filter (Q3, Q4).

The frequency at which the VCO oscillates is controlled by varactor diodes (D1, D2) on the T-VCO UNIT. DC voltage (PLL lock voltage) is provided through the integrator circuit (R15, C70).

The DC-DC converter circuit (IC1 and Q1) on the T-DC-DC UNIT creates approximately 20 V DC from 5 V DC to obtain a wide range of lock voltages for the PLL circuits.

3-3-10 TRANSMITTER VCO CIRCUIT (T-VCO UNIT)

The VCO circuit (Q1, D1, D2) generates the transmit frequency and produces FM modulation. Strip lines are used for stable oscillation over a wide frequency range. Varactor diodes (D1, D2) provide frequency control. The buffer amplifier (Q2) amplifies VCO oscillation and does not permit the latter circuit to affect the VCO oscillation. The signal is divided by 64 or 65 in the dual modulus prescaler (IC3). The phase-divided signal is output from IC3 (pin 5) and is applied to the PLL IC (IC2, pin 6).

• DTMF DECODER CIRCUIT

3-3-11 TRANSCEIVER UNLOCK SENSOR CIRCUIT (TX AND LOGIC UNITS)

When the PLL circuit is unlocked, IC2 (pin 13) becomes "HIGH". The "HIGH" signal is applied to IC9 (pin 15) as an unlock signal on the LOGIC UNIT.

3-4 VOLTAGE LINES

LINE	DESCRIPTION
13.8 V	This voltage is generated at REG-A and REG-B UNITS.
5 V	Common 5 V converted from the 13.8 V line at IC9 on the RX UNIT, IC8 on the TX UNIT and IC16 on the LOGIC UNIT. These switching regulators convert the IC1 output level on the R-DC-DC or T-DC-DC UNIT into approximately 20 V DC.
8 V	8 V DC converted from the 13.8 V line at IC8 on the RX and IC9 on the TX UNIT.
T8	Transmit 8 V. When the "MIC, PTT" line is grounded or the "SEND" line becomes "HIGH", Q7 turns on. The collector voltage (Q7) on the TX UNIT lights up the [TRANSMIT] INDICATOR. This voltage controls the drive amplifier (Q1: 10 W and 25 W types, IC1: 50 W type) and then is applied to the differential amplifier (IC2 for 10 W/25 W types and IC4 for 50 W type) on the PA UNIT.

3-5 REGULATOR CIRCUITS

The DC voltages are supplied from regulator circuits corresponding to the voltages. They are regulated at the following circuits using 13.8 V DC.

(1) 5 V REGULATOR

5 V DC are regulated by the following three-terminal voltage regulators.

REGULATOR	IC8	IC9	IC3	IC16	IC2
UNIT	TX	RX	PA (50 W)	LOGIC	REG-A

(2) 8 V REGULATOR

8 V DC are regulated by the three-terminal voltage regulators (IC9: RX UNIT and IC8: TX UNIT).

3-6 DTMF DECODER CIRCUIT

After AF signals from the RX UNIT are applied to Q1 on the LOGIC-A UNIT through J5, these signals are amplified.

IC4 is an IC chip for the DTMF detector. An applied double-tone signal is detected at IC4 and outputs signals as a 4-bit binary code.

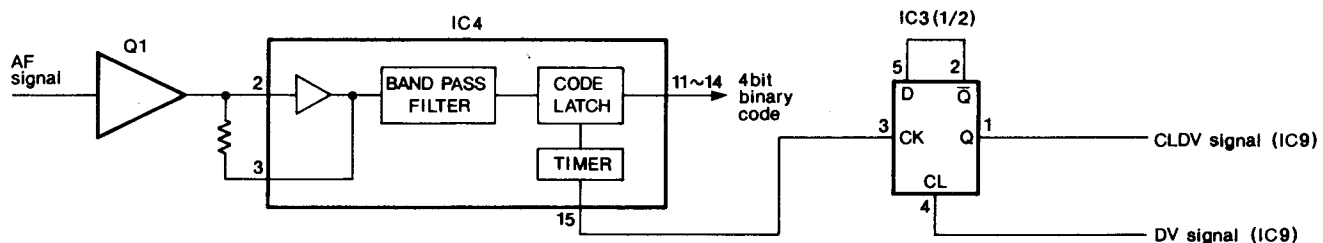


Fig. 6

3-7 OTHER CIRCUITS

3-7-1 CTCSS DECODER CIRCUIT (RX UNIT)

IC6 contains a CTCSS tone encoder/decoder, an AF amplifier circuit and a two-stage AF filter. The encoder is not used in this circuit.

The AF signal from pin 9 of IC1 is applied to Q12. Q12 is an active filter which functions as a low-pass filter. The filtered signals are applied to a programmable CTCSS tone decoder (IC6, pin 29) which decodes 67.0 Hz ~250.3 Hz tone frequencies. The tone frequency is set by the dip switches (S3) on the LOGIC-A UNIT.

The AF signal from IC6 (pin 29) is applied to the AF amplifier circuit and then to the two-stage AF filter. The filtered signal is output as a tone squelch signal from pin 23 of IC6. The tone squelch signal is applied to pin 17 of IC9 on the LOGIC UNIT through the "T-SQL" signal line.

IC7 functions as a serial/parallel converter and supplies 8-bit parallel data to pins 3~6 of IC6. The following table shows the relation between the input data and output frequency from IC6.

• CTCSS TONE DECODER FREQUENCY TABLE

TONE NUMBER	TONE FREQUENCY (Hz)	S3						TONE NUMBER	TONE FREQUENCY (Hz)	S3													
		1	2	3	4	5	6			1	2	3	4	5	6								
01	67.0	ON	—	—	—	—	—	14	107.2	—	ON	ON	ON	—	—	27	167.9	ON	ON	—	ON	ON	—
02	71.9	—	ON	—	—	—	—	15	110.9	ON	ON	ON	ON	—	—	28	173.8	—	—	ON	ON	ON	—
03	74.4	ON	ON	—	—	—	—	16	114.8	—	—	—	—	ON	—	29	179.9	ON	—	ON	ON	ON	—
04	77.0	—	—	ON	—	—	—	17	118.8	ON	—	—	—	ON	—	30	186.2	—	ON	ON	ON	ON	—
05	79.7	ON	—	ON	—	—	—	18	123.0	—	ON	—	—	ON	—	31	192.8	ON	ON	ON	ON	ON	—
06	82.5	—	ON	ON	—	—	—	19	127.3	ON	ON	—	—	ON	—	32	203.5	—	—	—	—	—	ON
07	85.4	ON	ON	ON	—	—	—	20	131.8	—	—	ON	—	ON	—	33	210.7	ON	—	—	—	—	ON
08	88.5	—	—	—	ON	—	—	21	136.5	ON	—	ON	—	ON	—	34	218.1	—	ON	—	—	—	ON
09	91.5	ON	—	—	ON	—	—	22	141.3	—	ON	ON	—	ON	—	35	225.7	ON	ON	—	—	—	ON
10	94.8	—	ON	—	ON	—	—	23	146.2	ON	ON	ON	—	ON	—	36	233.6	—	—	ON	—	—	ON
11	97.4	No assigned						24	151.4	—	—	—	ON	ON	—	37	241.8	ON	—	ON	—	—	ON
12	100.0	—	—	ON	ON	—	—	25	156.7	ON	—	—	ON	ON	—	38	250.3	—	ON	ON	—	—	ON
13	103.5	ON	—	ON	ON	—	—	26	162.2	—	ON	—	ON	ON	—								

—: OFF

3-7-2 CTCSS ENCODER CIRCUIT (TX UNIT)

The CTCSS encoder (IC6) encodes 67.0 Hz~250.3 Hz tone frequencies which are set by the dip switches (S11) on the LOGIC-A UNIT. The tone frequency is output from IC6 (pin 1) and is then applied to R32 for the deviation adjustment.

IC5 functions as a serial/parallel converter and supplies 8-bit parallel data to IC6. The following table shows the relation between input data and the output frequency from IC6.

• CTCSS TONE ENCODER FREQUENCY TABLE

TONE NUMBER	TONE FREQUENCY (Hz)	S11						TONE NUMBER	TONE FREQUENCY (Hz)	S11													
		1	2	3	4	5	6			1	2	3	4	5	6								
01	67.0	ON	—	—	—	—	—	14	107.2	—	ON	ON	ON	—	—	27	167.9	ON	ON	—	ON	ON	—
02	71.9	—	ON	—	—	—	—	15	110.9	ON	ON	ON	ON	—	—	28	173.8	—	—	ON	ON	ON	—
03	74.4	ON	ON	—	—	—	—	16	114.8	—	—	—	—	ON	—	29	179.9	ON	—	ON	ON	ON	—
04	77.0	—	—	ON	—	—	—	17	118.8	ON	—	—	—	ON	—	30	186.2	—	ON	ON	ON	ON	—
05	79.7	ON	—	ON	—	—	—	18	123.0	—	ON	—	—	ON	—	31	192.8	ON	ON	ON	ON	ON	—
06	82.5	—	ON	ON	—	—	—	19	127.3	ON	ON	—	—	ON	—	32	203.5	—	—	—	—	—	ON
07	85.4	ON	ON	ON	—	—	—	20	131.8	—	—	ON	—	ON	—	33	210.7	ON	—	—	—	—	ON
08	88.5	—	—	—	ON	—	—	21	136.5	ON	—	ON	—	ON	—	34	218.1	—	ON	—	—	—	ON
09	91.5	ON	—	—	ON	—	—	22	141.3	—	ON	ON	—	ON	—	35	225.7	ON	ON	—	—	—	ON
10	94.8	—	ON	—	ON	—	—	23	146.2	ON	ON	ON	—	ON	—	36	233.6	—	—	ON	—	—	ON
11	97.4	ON	ON	—	ON	—	—	24	151.4	—	—	—	ON	ON	—	37	241.8	ON	—	ON	—	—	ON
12	100.0	—	—	ON	ON	—	—	25	156.7	ON	—	—	ON	ON	—	38	250.3	—	ON	ON	—	—	ON
13	103.5	ON	—	ON	ON	—	—	26	162.2	—	ON	—	ON	ON	—								

—: OFF

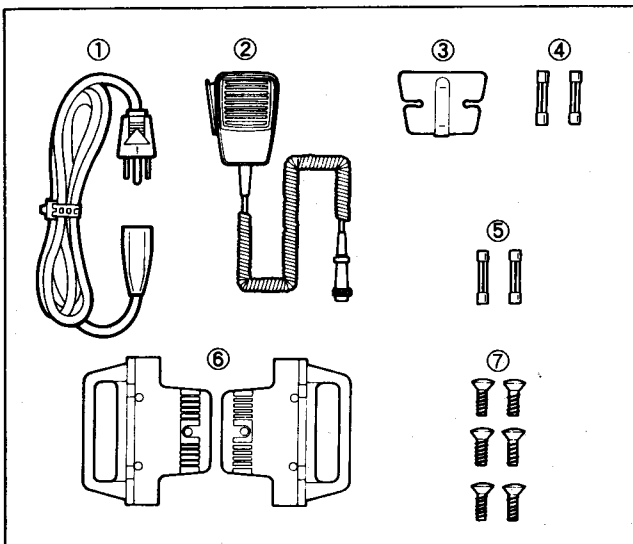
SECTION 4 MECHANICAL PARTS AND DISASSEMBLY

4-1 FRONT PARTS

LABEL NUMBER	ORDER NO.	DESCRIPTION	QTY.
①	8210005271	Front panel (D)-1	1
②	8310017750	Front plate	1
③	8010008901	695 sub chassis-1	1
④	8930015660	695 speaker plate	1
⑤	8810001110	Screw PH B0 M3×6	13
⑥	8850000130	Flat washer M3 (3×8×0.5) NI BS	9
⑦	8930000070	Standoff (D)	2
⑧	8850000420	Spring washer M3 NI	2
⑨	8810003160	Setscrew A M3×6	5
⑩	8810004270	Screw BiH M4×6 ZK BS	4
⑪	8810003360	Setscrew C M3×6	2
⑫	2260001260	Switch SW-118 [POWER]	1
⑬	2510000040	Speaker C065K12I0810	1
⑭	8610004170	Knob N122 [VOLUME], [SQUELCH]	2
⑮	8610002840	Button K79 [POWER]	1
⑯	8610005840	Button K89 (B) [CTCSS], [LOCAL INHIBIT], etc.	4
⑰	8810005290	Spring washer for FM 214	1
⑱	2230000380	Switch SPUE44067A [CTCSS], [LOCAL INHIBIT], etc.	1
⑲	5040000470	LED SPB-26MUW F [POWER]	1
⑳	5040001310	LED SLB-26UR 3F [TRANSMIT]	1
㉑	5040001130	LED SLB-26MG 3F [BUSY]	1
㉒	5040001360	LED TLG205 [CTCSS]	1
㉓	5040000650	LED TLY205 [LOCAL INHIBIT]	1
㉔	5040000640	LED TLR205 [MANUAL ID]	1
㉕	5040000650	LED TLY205 [COR SIMULATE]	1
㉖	8410000030	AF heatsink	1
㉗	7210000140	Variable resistor RK1631110D9DA [VOLUME]	1
㉘	7210000690	Variable resistor RK1631110D9CA [SQUELCH]	1
㉙	6510004820	Mic connector FM14RS-7SS [MICROPHONE]	1

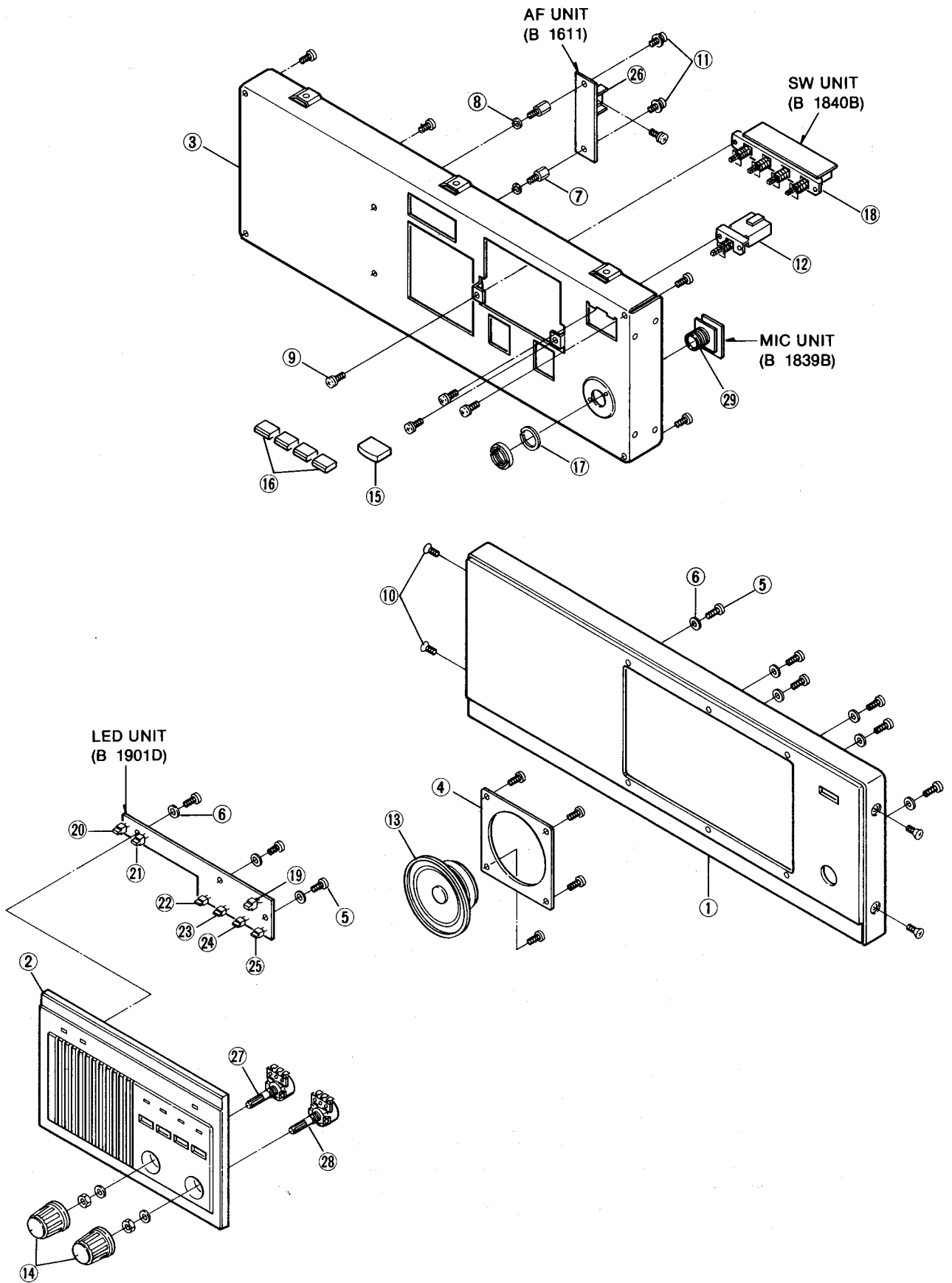
Screw abbreviations B0: Self-tapping screw BIH: Binding head PH: Pan head BS: Brass
 NI: Nickel ZK: Black

4-2 ACCESSORIES



LABEL NUMBER	ORDER NO.	DESCRIPTION	QTY.
①	8900000710	AC power cable OPC-048 A (#02, #03, #05)	1
	8900000330	AC power cable OPC-034 (#04, #06)	1
②	Optional product	Microphone (HM-4)	1
③	8930007300	Microphone hook	1
④	5210000050	Spare fuse for AC line FGB 3A (#02, #03, #04)	2
	5210000060	Spare fuse for AC line FGB 5A (#05, #06)	2
⑤	5210000070	Spare fuse for DC line FGB 10A (#02, #03, #04)	2
	5210000080	Spare fuse for DC line FGB 20A (#05, #06)	2
⑥	8010006700	Rack mounting handle	2
⑦	8810006110	Screw OH M4×9 ZK	6

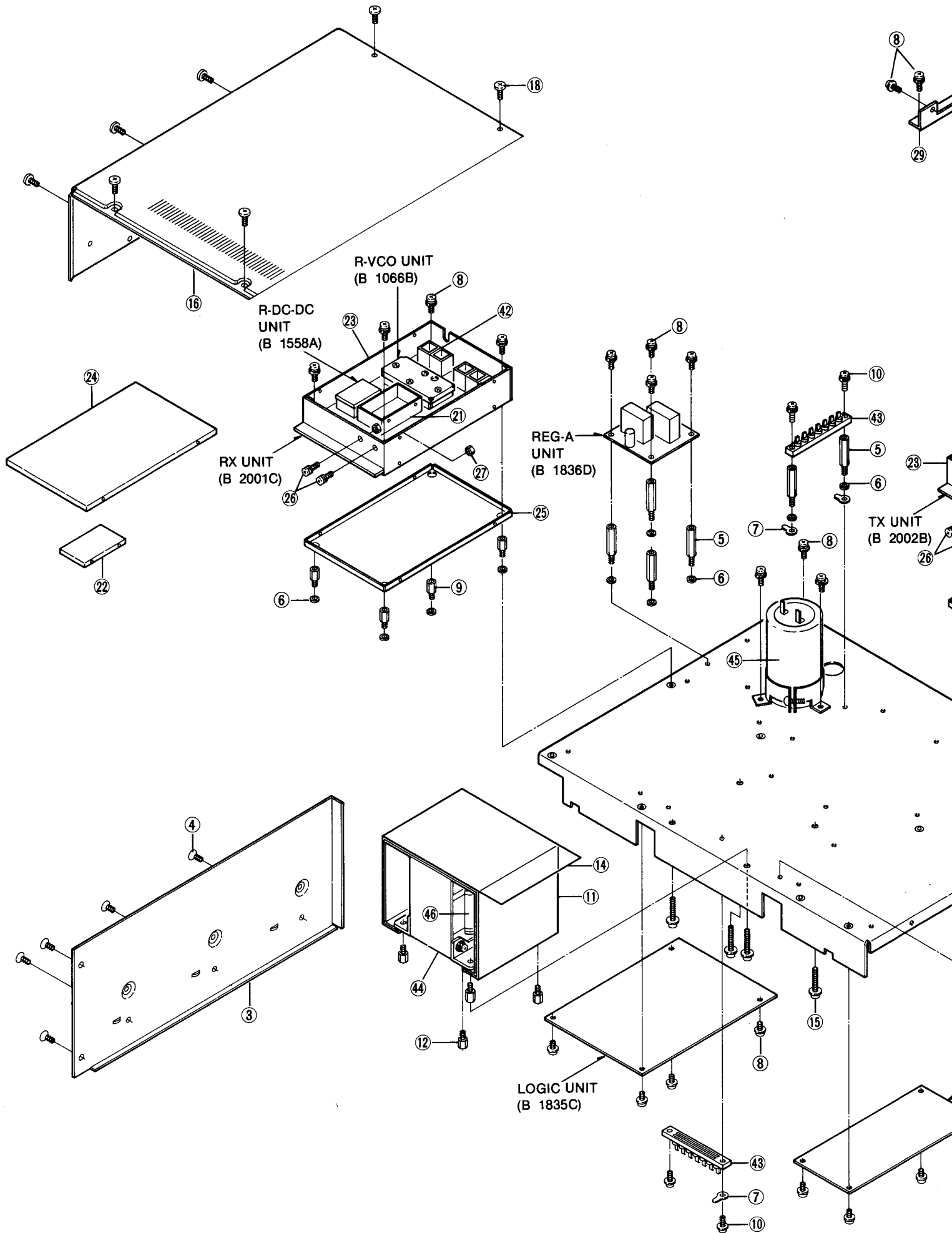
Screw abbreviations OH: Oval countersunk head
 ZK: Black

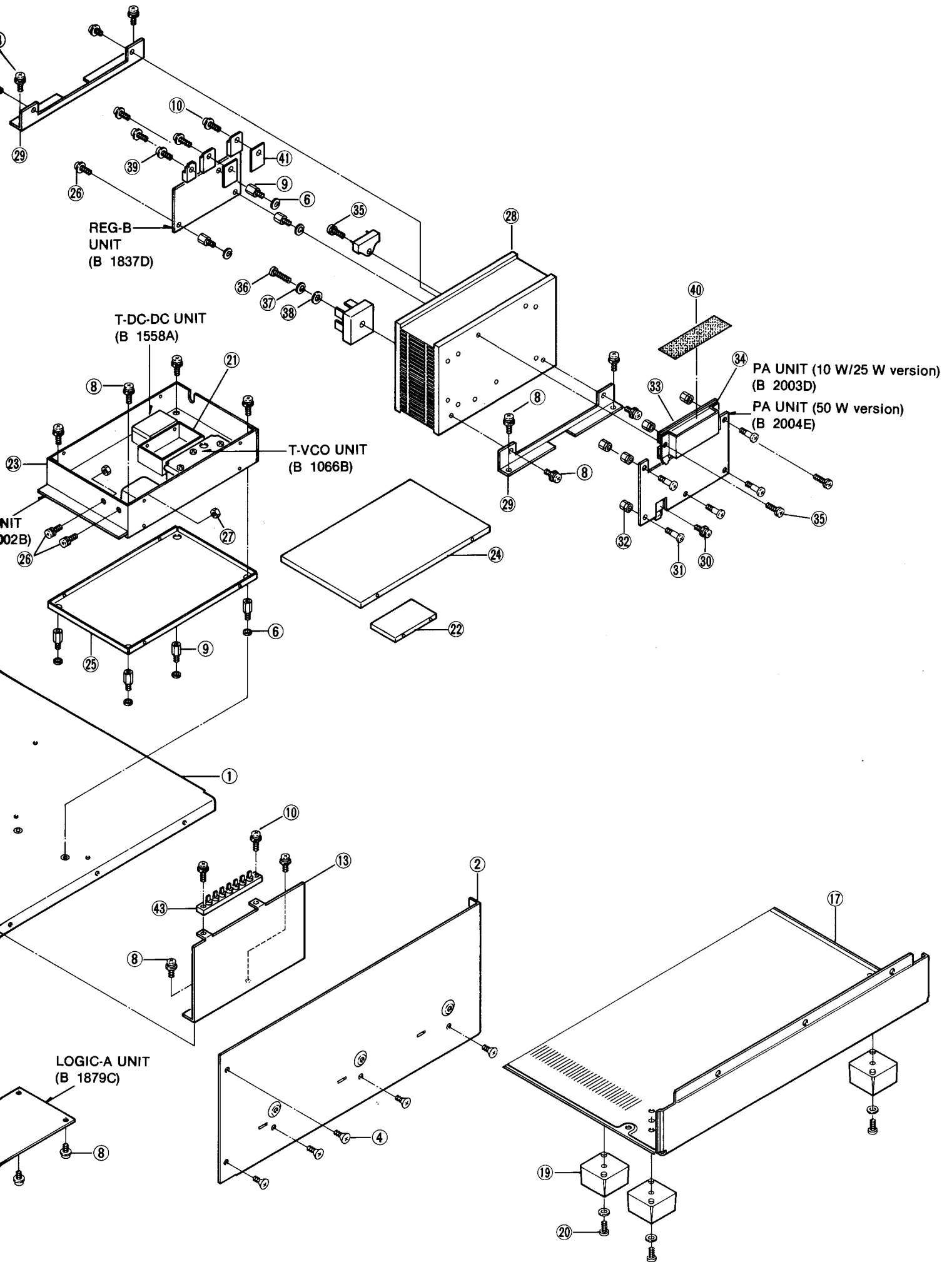


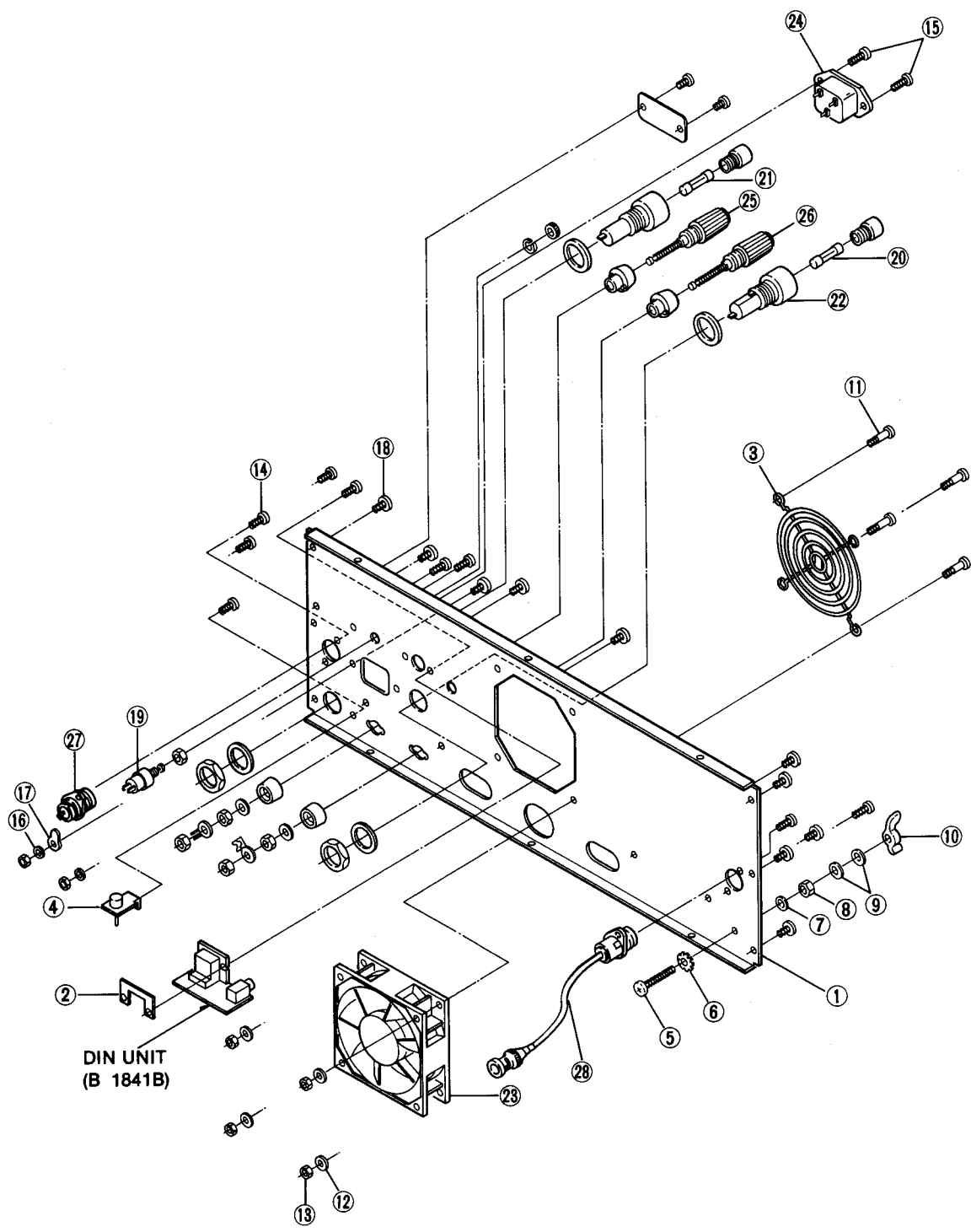
4-3 CHASSIS PARTS

LABEL NUMBER	ORDER NO.	DESCRIPTION	QTY.
①	8010008911	695 chassis-1	1
②	8010008920	695 chassis (right side)	1
③	8010008930	695 chassis (left side)	1
④	8810002210	Screw FH M4 × 6	10
⑤	8930000230	Standoff (S)	6
⑥	8850000420	Spring washer M3 NI	17
⑦	8860000130	Grounding lug B5 (M3) AG BS	3
⑧	8810003360	Setscrew C M3 × 6	33
⑨	8930000070	Standoff (D)	11
⑩	8810003380	Setscrew C M3 × 10	8
⑪	8510006020	695 transformer shield plate	1
⑫	8930016040	Standoff (AZ)	4
⑬	8510006300	695 shield plate (A)	1
⑭	8110003790	695 transformer shield cover	1
⑮	8810003390	Setscrew C M4 × 8	4
⑯	8110003430	695 top cover	1
⑰	8110003441	695 bottom cover-1	1
⑱	8810004690	Screw BiH M4 × 5 ZK BS	18
⑲	8930011680	Rubber foot (G)	4
⑳	8810000390	Screw PH M4 × 12	4
㉑	8510001080	Shield case (A)	2
㉒	8510001101	Shield case (A) cover (A)-1	2
㉓	8510005870	695 shield case	2
㉔	8510005880	695 shield case top cover	2
㉕	8510005890	695 shield case bottom cover	2
㉖	8810003160	Setscrew A M3 × 6	7
㉗	8830000100	Nut M3	4
㉘	8410001460	696-10 heatsink	1
㉙	8410001360	695 heatsink BKT	2
㉚	8810003370	Setscrew C M3 × 8	1
㉛	8810003760	Icom screw C10	5
㉜	8930006080	Screw spacer-C	5
㉝	8510004181	443 10W module shield plate-2	1
㉞	8930011460	566 PA module plate	1
㉟	8810003170	Setscrew A M3 × 8	3
㊱	8810000420	Screw PH M4 × 18	1
㊲	8850000430	Spring washer M4 NI	1
㊳	8850000140	Flat washer M4 NI BS	1
㊴	8810003370	Setscrew C M3 × 8	1
㊵	8950001760	Electrical tape NO. 1245 L=70	1
㊶	8930011250	Transistor sheet TO-3P	2
㊷	8510000020	194 shield case	5
㊸	6510000570	Terminal ML-18 7P	3
㊹	8510006300	695 shield plate (A)	1
㊺	4510000360	Electrolytic condenser HCG5A1E563Y (25L56000UF)	1
㊻	5910000600	Transformer TP-52	1

Screw abbreviations FH: Flat head BiH: Binding head PH: Pan head BS: Brass
 NI: Nickel ZK: Black







DIN UNIT
(B 1841B)

4-4 REAR PARTS

LABEL NUMBER	ORDER NO.	DESCRIPTION	QTY.
①	8010008941	695 rear panel-1	1
②	8930008230	DIN plate	1
③	6910003290	Finger guard B-1	1
④	8930002360	Diode plate	1
⑤	8810001990	Screw PH M5 × 18 NI BS	1
⑥	8850000590	Star washer M5	1
⑦	8850000440	Spring washer M5 NI	1
⑧	8830000210	Nut M5 NI BS	1
⑨	8850000150	Flat washer M5 NI BS	2
⑩	8830000360	Wing nut M5 NI	1
⑪	8810003770	Icom screw C12	4
⑫	8850000130	Flat washer M3 (3 × 8 × 0.5) NI BS	4
⑬	8830000100	Nut M3	6
⑭	8810003720	Icom screw B6	7
⑮	8810003740	Icom screw B10	2
⑯	8850000420	Spring washer M3 NI	2
⑰	8860000130	Grounding lug B5 (M3) AG BS	1
⑱	8810004270	Screw BiH M4 × 6 ZK BS	10
⑲	2230000710	Switch DS-102-R [DC RESET]	1
⑳	5210000050	Fuse FGB 3A [AC FUSE] (#02, #03, #04)	1
	5210000060	Fuse FGB 5A [AC FUSE] (#05, #06)	1
㉑	5210000070	Fuse FGB 10A [DC FUSE] (#02, #03, #04)	1
	5210000080	Fuse FGB 20A [DC FUSE] (#05, #06)	1
㉒	5220000051	Fuse holder FH-032CT	2
㉓	2710000280	Fan MD1208PTS-1	1
㉔	6450000770	Jack CM-11 [AC]	1
㉕	6510000460	Terminal T3830 R [BACKUP BATTERY (+)]	1
㉖	6510000470	Terminal T3830 K [BACKUP BATTERY (-)]	1
㉗	6510000360	ANT.connector NR-DS-E 02 [RX ANT]	1
㉘	8900001570	ANT.connector OPC-043A [TX ANT]	1

Screw abbreviations BiH: Binding head PH: Pan head BS: Brass NI: Nickel ZK: Black

SECTION 5 PARTS LIST

[FRONT UNIT]

REF. NO.	ORDER NO.	DESCRIPTION
R1	7210000140	Variable Resistor RK1831110D9DA (10KA) [VOLUME]
R2	7210000890	Variable Resistor RK1831110D9CA (10KB) [SQUELCH]
S1	2280001280	Switch SW-118 (SDDFA3) [POWER]
SP1	2510000040	Speaker C065K12 0810 [SPEAKER]

[MIC UNIT]

REF. NO.	ORDER NO.	DESCRIPTION
EP1	0910019801	P.C. Board B-1839B (MIC)

[AF UNIT]

REF. NO.	ORDER NO.	DESCRIPTION
IC1	1110000200	IC μ PC2002V
R1	7010003280	Resistor ELR20J 100 Ω
R2	7010003120	Resistor ELR20J 4.7 Ω
R3	7010003320	Resistor ELR20J 220 Ω
R4	7010003480	Resistor ELR20J 4.7 k Ω
C1	4510000830	Electrolytic 18 RE 220 μ F
C2	4040000280	Barrier Layer UZE 08X 104M
C3	4510000830	Electrolytic 18 RE 220 μ F
C4	4510000820	Electrolytic 18 RE 100 μ F
C5	4010000520	Ceramic DD108 B 472K 50V
C6	4510000890	Electrolytic 50 RE 0.47 μ F
EP1	0910017010	P.C. Board B-1811 (AF)

[SW UNIT]

REF. NO.	ORDER NO.	DESCRIPTION
S1	2230000380	Switch SPUE44087A [CTCSS, etc.]
EP1	0910019832	P.C. Board B-1840B (SW)

[LED UNIT]

REF. NO.	ORDER NO.	DESCRIPTION
R1	7010003400	Resistor ELR20J 1 k Ω
R2	7010003400	Resistor ELR20J 1 k Ω
R3	7010003400	Resistor ELR20J 1 k Ω
R4	7010003400	Resistor ELR20J 1 k Ω
R5	7010003400	Resistor ELR20J 1 k Ω
R6	7010003400	Resistor ELR20J 1 k Ω
DS1	5040000470	LED SPB-28MUW F [POWER]
DS2	5040001310	LED SLB-28UR 3F [TRANSMIT]
DS3	5040001130	LED SLB-28MG 3F [BUSY]
DS4	5040001380	LED TLG205 [CTCSS]
DS5	5040000850	LED TLY205 [LOCAL INHIBIT]
DS6	5040000840	LED TLR205 [MANUAL ID]
DS7	5040000850	LED TLY205 [COR SIMULATE]
EP1	0910020104	P.C. Board B-1901D (LED)

[CHASSIS UNIT]

REF. NO.	ORDER NO.	DESCRIPTION
D1	1710000010	Diode 15CD11
D2	1730000070	Zener RD3.9E B2
R1	7010004850	Resistor R50XJ 10 Ω
C1	4510000380	Electrolytic HCG5A1E583Y (25V 58000 μ F)
C2	4010004440	Ceramic DE7090 B 102K VA1-KC
C3	4010004440	Ceramic DE7090 B 102K VA1-KC
S1	2230000710	Switch DS-102-R
F1	5220000051	Holder FH-032CT
F2	5220000051	Holder FH-032CT
T1	5910000800	Transformer TP-52
EP1	5210000050	Fuse FGB 3A (#01,#02,#03,#04)
	5210000080	Fuse FGB 5A (#05,#06)
EP2	5210000070	Fuse FGB 10A (#01,#02,#03,#04)
	5210000080	Fuse FGB 20A (#05,#06)
EP3	6510000570	Lead Frame ML-18 7P
EP4	6510000570	Lead Frame ML-18 7P
EP5	6510000570	Lead Frame ML-18 7P

[LOGIC-A UNIT]

REF. NO.	ORDER NO.	DESCRIPTION	
IC1	1130003960	IC	μ PD74HC238C
IC2	1130003960	IC	μ PD74HC238C
IC3	1130000750	IC	μ PD4013BC
IC4	1130004680	IC	LC7385 (DIP)
Q1	1530000040	Transistor	2SC1815-Y
D1	1710000180	Diode	1SS133
D2	1710000180	Diode	1SS133
D3	1710000180	Diode	1SS133
D4	1710000180	Diode	1SS133
D5	1710000180	Diode	1SS133
D6	1710000180	Diode	1SS133
D7	1710000180	Diode	1SS133
D8	1710000180	Diode	1SS133
D9	1710000180	Diode	1SS133
D10	1710000180	Diode	1SS133
D11	1710000180	Diode	1SS133
D12	1710000180	Diode	1SS133
D13	1710000180	Diode	1SS133
D14	1710000180	Diode	1SS133
D15	1710000180	Diode	1SS133
D16	1710000180	Diode	1SS133
D17	1710000180	Diode	1SS133
D18	1710000180	Diode	1SS133
D19	1710000180	Diode	1SS133
D20	1710000180	Diode	1SS133
D21	1710000180	Diode	1SS133
D22	1710000180	Diode	1SS133
D23	1710000180	Diode	1SS133
D24	1710000180	Diode	1SS133
D25	1710000180	Diode	1SS133
D26	1710000180	Diode	1SS133
D27	1710000180	Diode	1SS133
D28	1710000180	Diode	1SS133
D29	1710000180	Diode	1SS133
D30	1710000180	Diode	1SS133
D31	1710000180	Diode	1SS133
D32	1710000180	Diode	1SS133
D33	1710000180	Diode	1SS133
D34	1710000180	Diode	1SS133
D35	1710000180	Diode	1SS133
D36	1710000180	Diode	1SS133
D37	1710000180	Diode	1SS133
D38	1710000180	Diode	1SS133
D39	1710000180	Diode	1SS133
D40	1710000180	Diode	1SS133
D41	1710000180	Diode	1SS133
D42	1710000180	Diode	1SS133
D43	1710000180	Diode	1SS133
D44	1710000180	Diode	1SS133
D45	1710000180	Diode	1SS133
D46	1710000180	Diode	1SS133
D47	1710000180	Diode	1SS133
D48	1710000180	Diode	1SS133
D49	1710000180	Diode	1SS133
D50	1710000180	Diode	1SS133
D51	1710000180	Diode	1SS133
D52	1710000180	Diode	1SS133
D53	1710000180	Diode	1SS133
D54	1710000180	Diode	1SS133
D55	1710000180	Diode	1SS133
D56	1710000180	Diode	1SS133
D57	1710000180	Diode	1SS133
D58	1710000180	Diode	1SS133
D59	1710000180	Diode	1SS133
D60	1710000180	Diode	1SS133
D61	1710000180	Diode	1SS133
D62	1710000180	Diode	1SS133
D63	1710000180	Diode	1SS133
D64	1710000180	Diode	1SS133
D65	1710000180	Diode	1SS133
D66	1710000180	Diode	1SS133
D67	1710000180	Diode	1SS133
D68	1710000180	Diode	1SS133
D69	1710000180	Diode	1SS133

[LOGIC-A UNIT]

REF. NO.	ORDER NO.	DESCRIPTION	
D70	1710000180	Diode	1SS133
D71	1710000180	Diode	1SS133
D72	1710000180	Diode	1SS133
D73	1710000180	Diode	1SS133
D74	1710000180	Diode	1SS133
D75	1710000180	Diode	1SS133
D76	1710000180	Diode	1SS133
D77	1710000180	Diode	1SS133
D78	1710000180	Diode	1SS133
D79	1710000180	Diode	1SS133
D80	1710000180	Diode	1SS133
D81	1710000180	Diode	1SS133
D82	1710000180	Diode	1SS133
D83	1710000180	Diode	1SS133
D84	1710000180	Diode	1SS133
D85	1710000180	Diode	1SS133
D86	1710000180	Diode	1SS133
D87	1710000180	Diode	1SS133
D88	1710000180	Diode	1SS133
D89	1710000180	Diode	1SS133
D90	1710000180	Diode	1SS133
D91	1710000180	Diode	1SS133
D92	1710000180	Diode	1SS133
D93	1710000180	Diode	1SS133
D94	1710000180	Diode	1SS133
D95	1710000180	Diode	1SS133
D96	1710000180	Diode	1SS133
D97	1710000180	Diode	1SS133
X1	6050003120	Crystal	RF-4A3 FAA NKD (3.579545 MHz)
R1	7010003620	Resistor	ELR20J 47 k Ω
R2	7010003630	Resistor	ELR20J 56 k Ω
R3	7010003620	Resistor	ELR20J 47 k Ω
R4	7010003360	Resistor	ELR20J 470 Ω
R5	7010003620	Resistor	ELR20J 47 k Ω
R6	7010003530	Resistor	ELR20J 10 k Ω
R7	7010003400	Resistor	ELR20J 1 k Ω
R8	7010003320	Resistor	ELR20J 220 Ω
R9	7410000210	Resistor Array	RMX- 8 472K
R10	7010003700	Resistor	ELR20J 220 k Ω
R11	7010003620	Resistor	ELR20J 47 k Ω
C1	4040000260	Barrier Layer	UZE 08X 104M
C2	4040000260	Barrier Layer	UZE 08X 104M
C3	4010000220	Ceramic	DD104 SL 330J 50V
C4	4010000220	Ceramic	DD104 SL 330J 50V
C5	4040000260	Barrier Layer	UZE 08X 104M
C6	4310000020	Mylar	F2D 50V 103K
C7	4550000320	Tantalum	DN 1V 0R1M
C8	4010000500	Ceramic	DD104 B 102K 50V
C9	4040000260	Barrier Layer	UZE 08X 104M
S1	2260001100	Switch	SSGM1A031A
S2	2260000610	Switch	SSGM17012A
S3	2260000820	Switch	SSGM16034A
S4	2260000790	Switch	SSGM12026A
S5	2260000580	Switch	SKHLAD035A
S6	2260000580	Switch	SKHLAD035A
S7	2260001090	Switch	DRS3016
S8	2260001090	Switch	DRS3016
S9	2260001100	Switch	SSGM1A031A
S10	2260000610	Switch	SSGM17012A
S11	2260000820	Switch	SSGM16034A
S12	2260000790	Switch	SSGM12026A
S13	2260001090	Switch	DRS3016
S14	2260001090	Switch	DRS3016
S15	2260001090	Switch	DRS3016
S16	2260001090	Switch	DRS3016
S17	2260001090	Switch	DRS3016
S18	2260001090	Switch	DRS3016
S19	2260001090	Switch	DRS3016
S20	2260001090	Switch	DRS3016
EP1	0910019533	P.C. Board	B-1879C (LOGIC-A)

[LOGIC UNIT]

REF. NO.	ORDER NO.	DESCRIPTION	
IC1	1130001270	IC	μ PD4089UBC
IC2	1130003970	IC	μ PD74HC393C
IC3	1130003320	IC	μ PD74HC4040C
IC4	1130003950	IC	μ PD74HC14C
IC5	1140000490	IC	μ PD780C-1
IC6	1130003920	IC	μ PD74HC32C
IC7	1130003700	IC	μ PD27C256AD
IC8	1130003930	IC	μ PD4464C
IC9	1130002640	IC	μ PD71055C
IC10	1130002640	IC	μ PD71055C
IC11	1110001750	IC	BA814
IC12	1110001750	IC	BA814
IC13	1130000040	IC	TC4011UBP
IC14	1110000540	IC	NJM4558D
IC15	1110000540	IC	NJM4558D
IC16	1180000190	IC	NJM7805A
IC17	1110001680	IC	S-8054ALB
Q1	1530000960	Transistor	2SC3399
Q2	1530000960	Transistor	2SC3399
Q3	1530000110	Transistor	2SC2458-GR
Q4	1530000960	Transistor	2SC3399
Q5	1530000960	Transistor	2SC3399
Q6	1590000310	FET	2SJ105-GR
D2	1710000160	Diode	1SS133
D3	1710000160	Diode	1SS133
D4	1710000160	Diode	1SS133
D5	1710000160	Diode	1SS133
X1	6080000380	Crystal	CSA4.00MG
R1	7010003780	Resistor	ELR20J 1 M Ω
R4	7010003620	Resistor	ELR20J 47 k Ω
R5	7010003620	Resistor	ELR20J 47 k Ω
R6	7010003530	Resistor	ELR20J 10 k Ω
R7	7010003280	Resistor	ELR20J 100 Ω
R8	7010003620	Resistor	ELR20J 47 k Ω
R9	7410000180	Resistor Array	RMX- 8 103K
R10	7010003530	Resistor	ELR20J 10 k Ω
R11	7010003530	Resistor	ELR20J 10 k Ω
R12	7010003530	Resistor	ELR20J 10 k Ω
R14	7010003660	Resistor	ELR20J 100 k Ω
R15	7010003400	Resistor	ELR20J 1 k Ω
R16	7010003480	Resistor	ELR20J 3.3 k Ω
R17	7010003530	Resistor	ELR20J 10 k Ω
R18	7010003440	Resistor	ELR20J 2.2 k Ω
R19	7010003530	Resistor	ELR20J 10 k Ω
R20	7010003700	Resistor	ELR20J 220 k Ω
R21	7310001850	Trimmer	RH0421CS4J08A (473)
R22	7010004340	Resistor	R20J 15 k Ω
R23	7310001850	Trimmer	RH0421CS4J08A (473)
R24	7010003280	Resistor	ELR20J 100 Ω
R25	7010003440	Resistor	ELR20J 2.2 k Ω
R26	7010003550	Resistor	ELR20J 15 k Ω
R27	7010003320	Resistor	ELR20J 220 Ω
R28	7010003550	Resistor	ELR20J 15 k Ω
R29	7010003600	Resistor	ELR20J 33 k Ω
R30	7010003620	Resistor	ELR20J 47 k Ω
R31	7010003530	Resistor	ELR20J 10 k Ω
R32	7010003620	Resistor	ELR20J 47 k Ω
R33	7310001710	Trimmer	RH0421C14J0KA (103)
R34	7010004450	Resistor	R20J 100 k Ω
R35	7010003280	Resistor	ELR20J 100 Ω
R36	7010003660	Resistor	ELR20J 100 k Ω
R37	7010003660	Resistor	ELR20J 100 k Ω
R38	7310001710	Trimmer	RH0421C14J0KA (103)
R39	7010003660	Resistor	ELR20J 100 k Ω
R40	7010003660	Resistor	ELR20J 100 k Ω
R41	7010004070	Resistor	R20J 100 Ω
R42	7010003660	Resistor	ELR20J 100 k Ω
R43	7010003670	Resistor	ELR20J 120 k Ω
R44	7010003490	Resistor	ELR20J 5.6 k Ω
R45	7310001710	Trimmer	RH0421C14J0KA (103)

[LOGIC UNIT]

REF. NO.	ORDER NO.	DESCRIPTION	
R46	7010004410	Resistor	R20J 47 k Ω
R47	7010004320	Resistor	R20J 10 k Ω
R48	7010003600	Resistor	ELR20J 33 k Ω
C1	4010000810	Ceramic	DD105 CH 300J 50V
C2	4010000810	Ceramic	DD105 CH 300J 50V
C3	4040000190	Barrier Layer	UAT 05X 103K
C4	4040000190	Barrier Layer	UAT 05X 103K
C5	4040000190	Barrier Layer	UAT 05X 103K
C6	4040000190	Barrier Layer	UAT 05X 103K
C7	4040000190	Barrier Layer	UAT 05X 103K
C8	4510001300	Electrolytic	50 RC2 3.3 μ F
C9	4040000260	Barrier Layer	UZE 08X 104M
C10	4040000190	Barrier Layer	UAT 05X 103K
C11	4040000260	Barrier Layer	UZE 08X 104M
C12	4040000260	Barrier Layer	UZE 08X 104M
C13	4040000190	Barrier Layer	UAT 05X 103K
C14	4040000190	Barrier Layer	UAT 05X 103K
C15	4310000060	Mylar	F2D 50V 223K
C16	4040000260	Barrier Layer	UZE 08X 104M
C17	4510001220	Electrolytic	16 RC2 10 μ F
C18	4510001240	Electrolytic	25 RC2 47 μ F
C19	4040000260	Barrier Layer	UZE 08X 104M
C20	4310000010	Mylar	F2D 50V 102K
C21	4040000260	Barrier Layer	UZE 08X 104M
C22	4510001280	Electrolytic	50 RC2 1 μ F
C23	4040000260	Barrier Layer	UZE 08X 104M
C24	4510001220	Electrolytic	16 RC2 10 μ F
C25	4040000260	Barrier Layer	UZE 08X 104M
C26	4040000260	Barrier Layer	UZE 08X 104M
C27	4040000260	Barrier Layer	UZE 08X 104M
C28	4510001220	Electrolytic	16 RC2 10 μ F
C29	4510001280	Electrolytic	50 RC2 1 μ F
C30	4510001280	Electrolytic	50 RC2 1 μ F
C31	4040000260	Barrier Layer	UZE 08X 104M
C32	4040000260	Barrier Layer	UZE 08X 104M
C33	4550002430	Tantalum	DN 1V R33M
C34	4550000320	Tantalum	DN 1V 0R1M
C35	4510001210	Electrolytic	10 RC2 100 μ F
C36	4510001280	Electrolytic	50 RC2 1 μ F
DS1	5040000810	LED	SLN-210VC
S1	2260000080	Switch	SKHHAM024A
BT1	3020000070	Lithium Battery	BR2032-1HF
EP1	0910020193	P.C. Board	B-1835C (LOGIC)

[RX UNIT]

REF. NO.	ORDER NO.	DESCRIPTION	
IC1	1110000830	IC	MC3357P
IC2	1110000580	IC	BA4558
IC3	1130002960	IC	TC9181P
IC4	1130003500	IC	TD6128P
IC5	1110001000	IC	μ PC1651G
IC6	1130001830	IC	MN6520
IC7	1130000180	IC	TC4094BP
IC8	1180000470	IC	NJM7808A
IC9	1180000190	IC	NJM7805A
Q1	1580000050	FET	3SK121-Y
Q2	1580000050	FET	3SK121-Y
Q3	1530002210	Transistor	2SC3776-D
Q4	1530000150	Transistor	2SC2668-O
Q5	1530000110	Transistor	2SC2458-GR
Q6	1590000280	FET	2SJ105-Y
Q7	1530000960	Transistor	2SC3399
Q8	1530000960	Transistor	2SC3399
Q9	1530000860	Transistor	2SC1845B
Q10	1560000010	FET	2SK184-Y
Q11	1530000110	Transistor	2SC2458-GR
Q12	1530000110	Transistor	2SC2458-GR
Q13	1530000860	Transistor	2SC1845B
D1	1790000250	Diode	1SS97
D2	1790000250	Diode	1SS97
D3	1730000120	Zener	RD6.2E B2
D4	1710000040	Diode	1S953
D5	1710000040	Diode	1S953
D6	1710000160	Diode	1SS133
D7	1730000100	Zener	RD5.1E B2
X1	6050005010	Crystal	CR-214
X2	6070000010	Discriminator	CDB455C7A
X3	6050003110	Crystal	RF-4A3 FAC NKD (4.194304 MHz)
FI1	2010000230	Filter	30M15B (FL-76)
FI2	2020000120	Ceramic	CFW455E
L1	6110001520	Coil	LA-232
L2	6110001520	Coil	LA-232
L3	6170000230	Coil	LW-25
L4	6110001520	Coil	LA-232
L5	6110001520	Coil	LA-232
L6	6110001520	Coil	LA-232
L7	6110001530	Coil	LA-233
L8	6150003220	Coil	LS-320
L9	6150003220	Coil	LS-320
L10	6180000900	Coil	LAL 03NA 101K
L11	6180000770	Coil	LAL 03NA 1R0M
L12	6180001300	Coil	LAL 02NA 100K
R1	7010003620	Resistor	ELR20J 47 kΩ
R2	7010004070	Resistor	R20J 100 Ω
R3	7010003660	Resistor	ELR20J 100 kΩ
R4	7010003660	Resistor	ELR20J 100 kΩ
R5	7010003280	Resistor	ELR20J 100 Ω
R6	7010003620	Resistor	ELR20J 47 kΩ
R7	7010003280	Resistor	ELR20J 100 Ω
R8	7010003460	Resistor	ELR20J 3.3 kΩ
R9	7010003620	Resistor	ELR20J 47 kΩ
R10	7010003360	Resistor	ELR20J 470 Ω
R11	7010003580	Resistor	ELR20J 22 kΩ
R12	7010003480	Resistor	ELR20J 4.7 kΩ
R13	7010003340	Resistor	ELR20J 330 Ω
R14	7010004070	Resistor	R20J 100 Ω
R15	7010003580	Resistor	ELR20J 18 kΩ
R16	7010003280	Resistor	ELR20J 100 Ω
R17	7010003280	Resistor	ELR20J 100 Ω
R18	7010004210	Resistor	R20J 1.5 kΩ
R19	7010003630	Resistor	ELR20J 56 kΩ

[RX UNIT]

REF. NO.	ORDER NO.	DESCRIPTION	
R20	7010003420	Resistor	ELR20J 1.5 kΩ
R21	7010004270	Resistor	R20J 4.7 kΩ
R22	7010003400	Resistor	ELR20J 1 kΩ
R23	7010003420	Resistor	ELR20J 1.5 kΩ
R24	7010004410	Resistor	R20J 47 kΩ
R25	7010004210	Resistor	R20J 1.5 kΩ
R26	7010003360	Resistor	ELR20J 470 Ω
R27	7010003720	Resistor	ELR20J 330 kΩ
R28	7010003490	Resistor	ELR20J 5.6 kΩ
R29	7010004230	Resistor	R20J 2.2 kΩ
R30	7010003620	Resistor	ELR20J 47 kΩ
R31	7010003530	Resistor	ELR20J 10 kΩ
R32	7010004270	Resistor	R20J 4.7 kΩ
R33	7010003440	Resistor	ELR20J 2.2 kΩ
R34	7010003400	Resistor	ELR20J 1 kΩ
R35	7010003370	Resistor	ELR20J 580 Ω
R36	7010003280	Resistor	ELR20J 100 Ω
R37	7010004210	Resistor	R20J 1.5 kΩ
R38	7010004210	Resistor	R20J 1.5 kΩ
R39	7010003400	Resistor	ELR20J 1 kΩ
R40	7010003950	Resistor	R20J 10 Ω
R41	7010004090	Resistor	R20J 150 Ω
R42	7010003950	Resistor	R20J 10 Ω
R43	7010003180	Resistor	ELR20J 10 Ω
R44	7010003300	Resistor	ELR20J 150 Ω
R45	7010003180	Resistor	ELR20J 10 Ω
R46	7010003330	Resistor	ELR20J 270 Ω
R47	7010003980	Resistor	R20J 18 Ω
R48	7010003330	Resistor	ELR20J 270 Ω
R49	7010003300	Resistor	ELR20J 150 Ω
R50	7010003150	Resistor	ELR20J 8.2 Ω
R51	7010003300	Resistor	ELR20J 150 Ω
R52	7010003150	Resistor	ELR20J 8.2 Ω
R53	7010003630	Resistor	ELR20J 56 kΩ
R54	7010003630	Resistor	ELR20J 58 kΩ
R55	7010003720	Resistor	ELR20J 330 kΩ
R56	7010003480	Resistor	ELR20J 4.7 kΩ
R57	7010003280	Resistor	ELR20J 100 Ω
R58	7010003550	Resistor	ELR20J 15 kΩ
R59	7010003530	Resistor	ELR20J 10 kΩ
R60	7010003440	Resistor	ELR20J 2.2 kΩ
R61	7010003740	Resistor	ELR20J 470 kΩ
R62	7010003530	Resistor	ELR20J 10 kΩ
R63	7010003530	Resistor	ELR20J 10 kΩ
R64	7010003360	Resistor	ELR20J 470 Ω
R65	7010003580	Resistor	ELR20J 22 kΩ
R66	7010003490	Resistor	ELR20J 5.6 kΩ
R67	7010003790	Resistor	ELR20J 1.2 MΩ
R68	7010003790	Resistor	ELR20J 1.2 MΩ
R69	7010003280	Resistor	ELR20J 100 Ω
R70	7010003510	Resistor	ELR20J 6.8 kΩ
R71	7010003510	Resistor	ELR20J 6.8 kΩ
R72	7010003450	Resistor	ELR20J 2.7 kΩ
R73	7010003530	Resistor	ELR20J 10 kΩ
R74	7010003620	Resistor	ELR20J 47 kΩ
R75	7010003600	Resistor	ELR20J 33 kΩ
R76	7010003610	Resistor	ELR20J 39 kΩ
R77	7010004190	Resistor	R20J 1 kΩ
R78	7010004410	Resistor	R20J 47 kΩ
C1	4010000020	Ceramic	DD104 SL 010C 50V
C2	4610000100	Trimmer	CV05A0601
C4	4010000020	Ceramic	DD104 SL 010C 50V
C5	4010000020	Ceramic	DD104 SL 010C 50V
C6	4610000100	Trimmer	CV05A0601
C8	4010000050	Ceramic	DD104 SL 030C 50V
C9	4010000500	Ceramic	DD104 B 102K 50V
C10	4010000460	Ceramic	DD104 B 471K 50V
C11	4010000500	Ceramic	DD104 B 102K 50V
C12	4010000460	Ceramic	DD104 B 471K 50V
C13	4010000500	Ceramic	DD104 B 102K 50V
C14	4010000050	Ceramic	DD104 SL 030C 50V
C15	4610000100	Trimmer	CV05A0601
C17	4010000020	Ceramic	DD104 SL 010C 50V
C18	4010000020	Ceramic	DD104 SL 010C 50V
C19	4610000100	Trimmer	CV05A0601
C21	4010000020	Ceramic	DD104 SL 010C 50V

[RX UNIT]

REF. NO.	ORDER NO.	DESCRIPTION	
C22	4010000020	Ceramic	DD104 SL 010C 50V
C23	4810000100	Trimmer	CV05A0601
C25	4010000070	Ceramic	DD104 SL 050C 50V
C26	4010000460	Ceramic	DD104 B 471K 50V
C27	4010000500	Ceramic	DD104 B 102K 50V
C29	4010000260	Ceramic	DD104 SL 470J 50V
C30	4010000460	Ceramic	DD104 B 471K 50V
C31	4010000500	Ceramic	DD104 B 102K 50V
C32	4010000330	Ceramic	DD105 SL 101J 50V
C33	4010000140	Ceramic	DD104 SL 120J 50V
C34	4010000340	Ceramic	DD105 SL 121J 50V
C35	4010000300	Ceramic	DD104 SL 680J 50V
C36	4010000460	Ceramic	DD104 B 471K 50V
C37	4010000500	Ceramic	DD104 B 102K 50V
C38	4040000150	Barrier Layer	UAT 05X 472K
C39	4010000500	Ceramic	DD104 B 102K 50V
C40	4550000320	Tantalum	DN 1V 0R1M
C41	4010000500	Ceramic	DD104 B 102K 50V
C42	4010000260	Ceramic	DD104 SL 470J 50V
C43	4010000160	Ceramic	DD104 SL 180J 50V
C44	4010000070	Ceramic	DD104 SL 050C 50V
C45	4510001230	Electrolytic	25 RC2 4.7 μ F
C46	4010000500	Ceramic	DD104 B 102K 50V
C47	4510001230	Electrolytic	25 RC2 4.7 μ F
C48	4550000320	Tantalum	DN 1V 0R1M
C49	4040000280	Barrier Layer	UZE 08X 104M
C50	4010000320	Ceramic	DD104 SL 820J 50V
C51	4010000500	Ceramic	DD104 B 102K 50V
C52	4040000110	Barrier Layer	UAT 04X 222K
C53	4010000500	Ceramic	DD104 B 102K 50V
C54	4010000500	Ceramic	DD104 B 102K 50V
C55	4010000500	Ceramic	DD104 B 102K 50V
C56	4010000500	Ceramic	DD104 B 102K 50V
C57	4010000220	Ceramic	DD104 SL 330J 50V
C58	4040000190	Barrier Layer	UAT 05X 103K
C59	4010000500	Ceramic	DD104 B 102K 50V
C60	4550001040	Tantalum	DN 1C 3R3M
C61	4010000500	Ceramic	DD104 B 102K 50V
C62	4510001210	Electrolytic	10 RC2 100 μ F
C63	4040000280	Barrier Layer	UZE 08X 104M
C64	4010000460	Ceramic	DD104 B 471K 50V
C65	4550002460	Tantalum	DN 1V 3R3M
C66	4040000280	Barrier Layer	UZE 08X 104M
C67	4010000460	Ceramic	DD104 B 471K 50V
C68	4510002270	Electrolytic	6.3 RC2 47 μ F
C69	4040000260	Barrier Layer	UZE 08X 104M
C70	4510001220	Electrolytic	18 RC2 10 μ F
C71	4010000460	Ceramic	DD104 B 471K 50V
C72	4510001220	Electrolytic	18 RC2 10 μ F
C73	4010000500	Ceramic	DD104 B 102K 50V
C74	4010000500	Ceramic	DD104 B 102K 50V
C75	4010000500	Ceramic	DD104 B 102K 50V
C76	4010000500	Ceramic	DD104 B 102K 50V
C77	4010000180	Ceramic	DD104 SL 220J 50V
C78	4010000180	Ceramic	DD104 SL 220J 50V
C79	4010000180	Ceramic	DD104 SL 220J 50V
C80	4550000350	Tantalum	DN 1V 010M
C81	4010000460	Ceramic	DD104 B 471K 50V
C82	4010000180	Ceramic	DD104 SL 220J 50V
C83	4010000180	Ceramic	DD104 SL 220J 50V
C84	4010000460	Ceramic	DD104 B 471K 50V
C85	4510001230	Electrolytic	25 RC2 4.7 μ F
C86	4310000200	Mylar	F2D 50V 153K
C87	4310000170	Mylar	F2D 50V 682K
C88	4510001280	Electrolytic	50 RC2 1 μ F
C89	4510001220	Electrolytic	18 RC2 10 μ F
C90	4040000260	Barrier Layer	UZE 08X 104M
C91	4040000260	Barrier Layer	UZE 08X 104M
C92	4010000160	Ceramic	DD104 SL 180J 50V
C93	4010000160	Ceramic	DD104 SL 180J 50V
C94	4510002270	Electrolytic	6.3 RC2 47 μ F
C95	4010000500	Ceramic	DD104 B 102K 50V
C96	4040000190	Barrier Layer	UAT 05X 103K
C97	4040000190	Barrier Layer	UAT 05X 103K
C98	4040000190	Barrier Layer	UAT 05X 103K
C99	4040000190	Barrier Layer	UAT 05X 103K
C100	4040000150	Barrier Layer	UAT 05X 472K
C101	4510002010	Electrolytic	50 RC2 0.33 μ F

[RX UNIT]

REF. NO.	ORDER NO.	DESCRIPTION	
C102	4510001270	Electrolytic	50 RC2 0.47 μ F
C103	4510001270	Electrolytic	50 RC2 0.47 μ F
C104	4510001270	Electrolytic	50 RC2 0.47 μ F
C105	4040000260	Barrier Layer	UZE 08X 104M
C106	4550000350	Tantalum	DN 1V 010M
C107	4550000340	Tantalum	DN 1C 100M
C108	4550000350	Tantalum	DN 1V 010M
C109	4550000340	Tantalum	DN 1C 100M
C110	4550000320	Tantalum	DN 1V 0R1M
EP1	0910024313	P.C. Board	B-2001C (RX)

[R-VCO UNIT]

REF. NO.	ORDER NO.	DESCRIPTION	
Q1	1580000130	FET	2SK125
Q2	1530002210	Transistor	2SC3778-D
D1	1720000080	Varicap	1SV50 (1)E
D2	1720000080	Varicap	1SV50 (1)E
D3	1720000090	Varicap	1T25
L1	6180000730	Coil	LAL 03NA R47M
L2	6180000770	Coil	LAL 03NA 1R0M
L3	6180000770	Coil	LAL 03NA 1R0M
L4	6180000730	Coil	LAL 03NA R47M
L5	6110001530	Coil	LA-233
R1	7010003660	Resistor	ELR20J 100 k Ω
R4	7010004120	Resistor	R20J 270 Ω
R5	7010003620	Resistor	ELR20J 47 k Ω
R6	7010003160	Resistor	ELR20J 10 Ω
R7	7010003280	Resistor	ELR20J 100 Ω
R8	7010003240	Resistor	ELR20J 47 Ω
R9	7010003460	Resistor	ELR20J 3.3 k Ω
R10	7010003440	Resistor	ELR20J 2.2 k Ω
R11	7010003320	Resistor	ELR20J 220 Ω
R12	7010003280	Resistor	ELR20J 100 Ω
R13	7010003200	Resistor	ELR20J 22 Ω
C1	4030000290	Ceramic	GRM42-6 SL 020C 5 0PT
C4	4030000120	Ceramic	GRM42-6 CH 150J 5 0PT
C5	4010000460	Ceramic	DD104 B 471K 50V
C6	4010000010	Ceramic	DD104 SL 0R5C 50V
C7	4010000630	Ceramic	DD104 CJ 030C 50V
C8	4010000340	Ceramic	DD105 SL 121J 50V
C9	4010000630	Ceramic	DD104 CJ 030C 50V
C10	4010000460	Ceramic	DD104 B 471K 50V
C11	4010000260	Ceramic	DD104 SL 470J 50V
C12	4010000020	Ceramic	DD104 SL 010C 50V
C13	4010000460	Ceramic	DD104 B 471K 50V
C14	4010000500	Ceramic	DD104 B 102K 50V
C15	4010000460	Ceramic	DD104 B 471K 50V
C16	4010000060	Ceramic	DD104 SL 040C 50V
C17	4010000500	Ceramic	DD104 B 102K 50V
C18	4010000500	Ceramic	DD104 B 102K 50V
C19	4510001210	Electrolytic	10 RC2 100 μ F
C20	4040000260	Barrier Layer	UZE 08X 104M
C21	4010000460	Ceramic	DD104 B 471K 50V
EP1	0910011812	P.C. Board	B-1068B (R-VCO)

[R-DC-DC UNIT]

REF. NO.	ORDER NO.	DESCRIPTION	
IC1	1110000900	IC	TL499ACP
Q1	1530000880	Transistor	2SC1845B
D1	1730000520	Zener	RD20E B2
L1	8190000220	Coil	S0971138-101K
L2	8180001120	Coil	FL 5H 101K
R1	7010003400	Resistor	ELR20J 1 kΩ
R2	7030000300	Resistor	MCR10EZHZ 220 Ω (221)
R3	7030000300	Resistor	MCR10EZHZ 220 Ω (221)
R4	7030000300	Resistor	MCR10EZHZ 220 Ω (221)
R5	7030000810	Resistor	MCR10EZHZ 82 kΩ (823)
R6	7030000480	Resistor	MCR10EZHZ 4.7 kΩ (472)
R7	7030000340	Resistor	MCR10EZHZ 470 Ω (471)
C1	4030001090	Ceramic	GRM40 B 471K 50PT
C2	4510001120	Electrolytic	25 MS7 4R7 μ F
C3	4510001120	Electrolytic	25 MS7 4R7 μ F
C4	4510001120	Electrolytic	25 MS7 4R7 μ F
C5	4510002020	Electrolytic	25 MS7 47 μ F
C6	4550000320	Tantalum	DN 1V 0R1M
C7	4510002410	Electrolytic	6R3 MS7 100 μ F (6.3X7)
C8	4510004400	Electrolytic	6R3 MS7 330 μ F
C9	4510001100	Electrolytic	18 MS7 10 μ F
EP1	0910018901	P.C. Board	B-1558A (R-DC-DC)

[TX UNIT]

REF. NO.	ORDER NO.	DESCRIPTION	
L6	8180002530	Coil	LAL 02NA R68K
L7	8180001740	Coil	LAL 02NA R82K
R1	7010003530	Resistor	ELR20J 10 kΩ
R2	7010003180	Resistor	ELR20J 10 Ω
R3	7010003300	Resistor	ELR20J 150 Ω
R4	7010003180	Resistor	ELR20J 10 Ω
R5	7010003330	Resistor	ELR20J 270 Ω
R6	7010003980	Resistor	R20J 18 Ω
R7	7010003330	Resistor	ELR20J 270 Ω
R8	7010003300	Resistor	ELR20J 150 Ω
R9	7010004010	Resistor	R20J 33 Ω
R10	7010003510	Resistor	ELR20J 6.8 kΩ
R11	7010003400	Resistor	ELR20J 1 kΩ
R12	7010003950	Resistor	R20J 10 Ω
R13	7010003300	Resistor	ELR20J 150 Ω
R14	7010003950	Resistor	R20J 10 Ω
R15	7010003480	Resistor	ELR20J 4.7 kΩ
R16	7010003440	Resistor	ELR20J 2.2 kΩ
R17	7010003280	Resistor	ELR20J 100 Ω
R18	7010003400	Resistor	ELR20J 1 kΩ
R19	7010003370	Resistor	ELR20J 580 Ω
R20	7010004210	Resistor	R20J 1.5 kΩ
R21	7010004210	Resistor	R20J 1.5 kΩ
R22	7010003400	Resistor	ELR20J 1 kΩ
R23	7410000540	Resistor Array	RKM5LW 222J
R24	7310000750	Trimmer	RH0651C14J2WA (103)
R25	7010003510	Resistor	ELR20J 6.8 kΩ
R26	7010003480	Resistor	ELR20J 4.7 kΩ
R27	7010003280	Resistor	ELR20J 100 Ω
R28	7010003530	Resistor	ELR20J 10 kΩ
R29	7010003440	Resistor	ELR20J 2.2 kΩ
R30	7010004110	Resistor	R20J 220 Ω
R31	7010004070	Resistor	R20J 100 Ω
R32	7310000780	Trimmer	RH0651CS4J25A (473)
R33	7010003480	Resistor	ELR20J 4.7 kΩ
R34	7010004320	Resistor	R20J 10 kΩ
R35	7010003400	Resistor	ELR20J 1 kΩ
R36	7010003530	Resistor	ELR20J 10 kΩ
R37	7010003620	Resistor	ELR20J 47 kΩ
R38	7010003320	Resistor	ELR20J 220 Ω
R39	7010003490	Resistor	ELR20J 5.8 kΩ
R40	7010003790	Resistor	ELR20J 1.2 MΩ
R41	7010003340	Resistor	ELR20J 330 Ω
R42	7010003800	Resistor	ELR20J 33 kΩ
R43	7010003450	Resistor	ELR20J 2.7 kΩ
R44	7010003860	Resistor	ELR20J 100 kΩ
R45	7010003800	Resistor	ELR20J 33 kΩ
R46	7010003480	Resistor	ELR20J 4.7 kΩ
R47	7010003480	Resistor	ELR20J 4.7 kΩ
R48	7010003530	Resistor	ELR20J 10 kΩ
R49	7010003530	Resistor	ELR20J 10 kΩ
R50	7010003820	Resistor	ELR20J 47 kΩ
R51	7010003530	Resistor	ELR20J 10 kΩ
R52	7010003780	Resistor	ELR20J 1 MΩ
R53	7010004070	Resistor	R20J 100 Ω
R54	7310000740	Trimmer	RH0651CS3J2KA (472)
R55	7010003710	Resistor	ELR20J 270 kΩ
R56	7010003870	Resistor	ELR20J 120 kΩ
R57	7010003820	Resistor	ELR20J 47 kΩ
R58	7010003800	Resistor	ELR20J 33 kΩ
R59	7010003590	Resistor	ELR20J 27 kΩ
R60	7010004380	Resistor	R20J 27 kΩ
R61	7010004190	Resistor	R20J 1 kΩ
C1	4010000500	Ceramic	DD104 B 102K 50V
C2	4510001210	Electrolytic	10 RC2 100 μ F
C3	4040000280	Barrier Layer	UZE 08X 104M
C4	4010000180	Ceramic	DD104 SL 220J 50V
C5	4010000180	Ceramic	DD104 SL 220J 50V
C6	4010000180	Ceramic	DD104 SL 220J 50V
C7	4550000350	Tantalum	DN 1V 010M
C8	4010000500	Ceramic	DD104 B 102K 50V
C9	4010000180	Ceramic	DD104 SL 220J 50V
C10	4010000480	Ceramic	DD104 B 471K 50V
C11	4010000500	Ceramic	DD104 B 102K 50V

[TX UNIT]

REF. NO.	ORDER NO.	DESCRIPTION	
IC1	1110001000	IC	μ PC1651G
IC2	1130002980	IC	TC9181P
IC3	1130003500	IC	TD6128P
IC4	1130000180	IC	TC4094BP
IC5	1130000180	IC	TC4094BP
IC6	1130000950	IC	S-7118A
IC7	1110000580	IC	BA4558
IC8	1180000190	IC	NJM7805A
IC9	1180000470	IC	NJM7808A
Q1	1530000880	Transistor	2SC1845B
Q2	1530001810	Transistor	2SC3355
Q3	1530000110	Transistor	2SC2458-GR
Q4	1580000010	FET	2SK184-Y
Q5	1530000591	Transistor	2SC2765 EL
Q6	1530000980	Transistor	2SC3399
Q7	1520000080	Transistor	2SB909M R
Q8	1530000100	Transistor	2SC2458-Y
Q9	1590000310	FET	2SJ105-GR
D1	1710000180	Diode	1SS133
D2	1710000180	Diode	1SS133
X1	8050005980	Crystal	CR-282
X2	8050003120	Crystal	RF-4A3 FAA NKD (3.579545 MHz)
L1	8180000770	Coil	LAL 03NA 1R0M
L2	8110001530	Coil	LA-233
L3	8180001300	Coil	LAL 02NA 100K
L4	8910000670	Coil	BT01RN1-A81-001
L5	8180001510	Coil	LAL 02NA 101K

[TX UNIT]

REF. NO.	ORDER NO.	DESCRIPTION	
C12	4010000080	Ceramic	DD104 SL 040C 50V
C13	4010000480	Ceramic	DD104 B 471K 50V
C14	4550002480	Tantalum	DN 1V 3R3M
C15	4040000280	Barrier Layer	UZE 08X 104M
C16	4510002270	Electrolytic	6.3 RC2 47 μ F
C17	4010000480	Ceramic	DD104 B 471K 50V
C18	4040000280	Barrier Layer	UZE 08X 104M
C19	4510001220	Electrolytic	18 RC2 10 μ F
C20	4010000480	Ceramic	DD104 B 471K 50V
C21	4510001220	Electrolytic	18 RC2 10 μ F
C22	4010000500	Ceramic	DD104 B 102K 50V
C23	4010000500	Ceramic	DD104 B 102K 50V
C24	4010000500	Ceramic	DD104 B 102K 50V
C25	4010000500	Ceramic	DD104 B 102K 50V
C26	4040000280	Barrier Layer	UZE 08X 104M
C27	4510001240	Electrolytic	25 RC2 47 μ F
C28	4040000150	Barrier Layer	UAT 05X 472K
C29	4040000150	Barrier Layer	UAT 05X 472K
C30	4010000580	Ceramic	DD108 F 103Z 50V
C31	4010000520	Ceramic	DD108 B 472K 50V
C32	4010000580	Ceramic	DD108 F 103Z 50V
C33	4010000380	Ceramic	DD107 SL 221J 50V
C34	4010000280	Ceramic	DD104 SL 470J 50V
C35	4010000480	Ceramic	DD104 B 471K 50V
C36	4010000180	Ceramic	DD104 SL 180J 50V
C37	4010000390	Ceramic	DD107 SL 271J 50V
C38	4010000330	Ceramic	DD105 SL 101J 50V
C39	4010000330	Ceramic	DD105 SL 101J 50V
C40	4510001220	Electrolytic	18 RC2 10 μ F
C41	4010000820	Ceramic	DD105 CH 330J 50V
C42	4010000820	Ceramic	DD105 CH 330J 50V
C43	4510001270	Electrolytic	50 RC2 0.47 μ F
C44	4510001280	Electrolytic	50 RC2 1 μ F
C45	4010000480	Ceramic	DD104 B 471K 50V
C46	4510001220	Electrolytic	18 RC2 10 μ F
C47	4010000480	Ceramic	DD104 B 471K 50V
C48	4510001220	Electrolytic	18 RC2 10 μ F
C49	4550000350	Tantalum	DN 1V 010M
C50	4010000480	Ceramic	DD104 B 471K 50V
C51	4010000480	Ceramic	DD104 B 471K 50V
C52	4010000120	Ceramic	DD104 SL 100D 50V
C53	4010000480	Ceramic	DD104 B 471K 50V
C54	4510001290	Electrolytic	50 RC2 2.2 μ F
C55	4510001230	Electrolytic	25 RC2 4.7 μ F
C56	4040000090	Barrier Layer	UAT 04X 152K
C57	4010000500	Ceramic	DD104 B 102K 50V
C58	4510001220	Electrolytic	18 RC2 10 μ F
C59	4010000480	Ceramic	DD104 B 471K 50V
C60	4310000020	Mylar	F2D 50V 103K
C61	4310000010	Mylar	F2D 50V 102K
C62	4010000340	Ceramic	DD105 SL 121J 50V
C63	4510001230	Electrolytic	25 RC2 4.7 μ F
C64	4010000480	Ceramic	DD104 B 471K 50V
C65	4550000350	Tantalum	DN 1V 010M
C66	4550000340	Tantalum	DN 1C 100M
C67	4550000350	Tantalum	DN 1V 010M
C68	4550000340	Tantalum	DN 1C 100M
C69	4040000280	Barrier Layer	UZE 08X 104M
C70	4550000320	Tantalum	DN 1V 0R1M
EP1	0910024322	P.C. Board	B-2002B (TX)

[T-VCO UNIT]

REF. NO.	ORDER NO.	DESCRIPTION	
Q1	1580000130	FET	2SK125
Q2	1530002210	Transistor	2SC3776-D
D1	1720000080	Varicap	1SV50 (1)E
D2	1720000080	Varicap	1SV50 (1)E
D3	1720000090	Varicap	1T25
L1	8180000730	Coil	LAL 03NA R47M
L2	8180000770	Coil	LAL 03NA 1R0M
L3	8180000770	Coil	LAL 03NA 1R0M
L4	8180000730	Coil	LAL 03NA R47M
L5	8110001530	Coil	LA-233
R1	7010003860	Resistor	ELR20J 100 k Ω
R4	7010004120	Resistor	R20J 270 Ω
R5	7010003820	Resistor	ELR20J 47 k Ω
R6	7010003180	Resistor	ELR20J 10 Ω
R7	7010003280	Resistor	ELR20J 100 Ω
R8	7010003240	Resistor	ELR20J 47 Ω
R9	7010003460	Resistor	ELR20J 3.3 k Ω
R10	7010003440	Resistor	ELR20J 2.2 k Ω
R11	7010003320	Resistor	ELR20J 220 Ω
R12	7010003280	Resistor	ELR20J 100 Ω
R13	7010003200	Resistor	ELR20J 22 Ω
C1	4030000290	Ceramic	GRM42-6 SL 020C 5 OPT
C4	4030000120	Ceramic	GRM42-6 CH 150J 5 OPT
C5	4010000480	Ceramic	DD104 B 471K 50V
C6	4010000010	Ceramic	DD104 SL 0R5C 50V
C7	4010000830	Ceramic	DD104 CJ 030C 50V
C8	4010000340	Ceramic	DD105 SL 121J 50V
C9	4010000830	Ceramic	DD104 CJ 030C 50V
C10	4010000480	Ceramic	DD104 B 471K 50V
C11	4010000280	Ceramic	DD104 SL 470J 50V
C12	4010000020	Ceramic	DD104 SL 010C 50V
C13	4010000480	Ceramic	DD104 B 471K 50V
C14	4010000500	Ceramic	DD104 B 102K 50V
C15	4010000480	Ceramic	DD104 B 471K 50V
C16	4010000080	Ceramic	DD104 SL 040C 50V
C17	4010000500	Ceramic	DD104 B 102K 50V
C18	4010000500	Ceramic	DD104 B 102K 50V
C19	4510001210	Electrolytic	10 RC2 100 μ F
C20	4040000280	Barrier Layer	UZE 08X 104M
C21	4010000480	Ceramic	DD104 B 471K 50V
EP1	0910011812	P.C. Board	B-1066B (T-VCO)

[T-DC-DC UNIT]

REF. NO.	ORDER NO.	DESCRIPTION	
IC1	1110000900	IC	TL499ACP
Q1	1530000680	Transistor	2SC1845B
D1	1730000520	Zener	RD20E B2
L1	6190000220	Coil	S0971136-101K
L2	6180001120	Coil	FL 5H 101K
R1	7010003400	Resistor	ELR20J 1 kΩ
R2	7030000300	Resistor	MCR10EZHZ 220 Ω (221)
R3	7030000300	Resistor	MCR10EZHZ 220 Ω (221)
R4	7030000300	Resistor	MCR10EZHZ 220 Ω (221)
R5	7030000810	Resistor	MCR10EZHZ 82 kΩ (823)
R6	7030000480	Resistor	MCR10EZHZ 4.7 kΩ (472)
R7	7030000340	Resistor	MCR10EZHZ 470 Ω (471)
C1	4030001090	Ceramic	GRM40 B 471K 50PT
C2	4510001120	Electrolytic	25 MS7 4R7 μ F
C3	4510001120	Electrolytic	25 MS7 4R7 μ F
C4	4510001120	Electrolytic	25 MS7 4R7 μ F
C5	4510002020	Electrolytic	25 MS7 47 μ F
C6	4550000320	Tantalum	DN 1V 0R1M
C7	4510002410	Electrolytic	6R3 MS7 100 μ F (6.3X7)
C8	4510004400	Electrolytic	6R3 MS7 330 μ F
C9	4510001100	Electrolytic	18 MS7 10 μ F
EP1	0910016901	P.C. Board	B-1558A (T-DC-DC)

[DIN UNIT]

REF. NO.	ORDER NO.	DESCRIPTION	
EP1	0910016162	P.C. Board	B-1841B (DIN)

[REG-A UNIT]

REF. NO.	ORDER NO.	DESCRIPTION	
IC1	1110001040	IC	MB3752M-G
IC2	1180000080	IC	NJM78L05A
IC3	1110002000	IC	BA10393
Q1	1520000080	Transistor	2SB909M R
D1	1710000350	Diode	1N4002
D2	1710000140	Diode	U05G
D3	1710000350	Diode	1N4002
D4	1710000350	Diode	1N4002
D5	1710000350	Diode	1N4002
R1	7010003440	Resistor	ELR20J 2.2 kΩ
R2	7010003440	Resistor	ELR20J 2.2 kΩ
R3	7310000730	Trimmer	RH0651CN3J01A (332)
R4	7010004190	Resistor	R20J 1 kΩ
R5	7010003240	Resistor	ELR20J 47 Ω
R6	7100000160	Resistor	SRW2P 100 Ω (101)
R7	7310000800	Trimmer	RH0651CJ5J01A (224)
R8	7010003890	Resistor	ELR20J 180 kΩ
R9	7010004320	Resistor	R20J 10 kΩ

[REG-A UNIT]

REF. NO.	ORDER NO.	DESCRIPTION	
C1	4010000500	Ceramic	DD104 B 102K 50V
C2	4510002900	Electrolytic	25 SS 470 μ F
C3	4550000320	Tantalum	DN 1V 0R1M
C4	4550002430	Tantalum	DN 1V R33M
RL1	6330000710	Relay	G2R-117P-V-RP-US DC12V
RL2	6330000710	Relay	G2R-117P-V-RP-US DC12V
EP1	0910016154	P.C. Board	B-1836D (REG-A)

[ACC UNIT]

REF. NO.	ORDER NO.	DESCRIPTION	
F1	5210000050	Fuse	FGB 3A (#01,#02,#03,#04)
	5210000060	Fuse	FGB 5A (#05,#08)
F2	5210000070	Fuse	FGB 10A (#01,#02,#03,#04)
	5210000080	Fuse	FGB 20A (#05,#08)

[PA UNIT] (10W/25W versions)

REF. NO.	ORDER NO.	DESCRIPTION	
IC1	1150000180	IC	SC1027
IC2	1110000070	IC	μ PC358C
Q1	1530000640	Transistor	2SC2407 (A)
Q2	1530000110	Transistor	2SC2458-GR
Q3	1520000220	Transistor	2SB1019-Y
D1	1710000160	Diode	1SS133
D2	1790000250	Diode	1SS97
D3	1790000250	Diode	1SS97
L1	6110001520	Coil	LA-232
L2	6110001520	Coil	LA-232
L3	6110001520	Coil	LA-232
L4	6110001520	Coil	LA-232
L5	6110001520	Coil	LA-232
R1	7010003940	Resistor	R20J 8.2 Ω
R2	7010003300	Resistor	ELR20J 150 Ω
R3	7010003940	Resistor	R20J 8.2 Ω
R4	7010004190	Resistor	R20J 1 kΩ
R5	7010004070	Resistor	R20J 100 Ω
R6	7010003400	Resistor	ELR20J 1 kΩ
R7	7010003990	Resistor	R20J 22 Ω
R8	7010004270	Resistor	R20J 4.7 kΩ
R9	7010004270	Resistor	R20J 4.7 kΩ
R10	7010003480	Resistor	ELR20J 4.7 kΩ
R11	7010004370	Resistor	R20J 22 kΩ
R12	7010003280	Resistor	ELR20J 100 Ω
R13	7010003550	Resistor	ELR20J 15 kΩ
R14	7010003420	Resistor	ELR20J 1.5 kΩ
R15	7310000740	Trimmer	RH0651CS3J2KA (472)
R16	7010003770	Resistor	ELR20J 820 kΩ
R17	7010003530	Resistor	ELR20J 10 kΩ
R18	7010004390	Resistor	R20J 33 kΩ
R19	7010003530	Resistor	ELR20J 10 kΩ
R20	7010004130	Resistor	R20J 330 Ω

[PA UNIT] (10/25W versions)

REF. NO.	ORDER NO.	DESCRIPTION	
C1	4010000260	Ceramic	DD104 SL 470J 50V
C2	4010000460	Ceramic	DD104 B 471K 50V
C3	4010000050	Ceramic	DD104 SL 030C 50V
C4	4010000460	Ceramic	DD104 B 471K 50V
C5	4510001220	Electrolytic	16 RC2 10 μ F
C6	4010000460	Ceramic	DD104 B 471K 50V
C7	4550000260	Tantalum	DN 1V 100M
C8	4010000500	Ceramic	DD104 B 102K 50V
C9	4010000500	Ceramic	DD104 B 102K 50V
C10	4010000460	Ceramic	DD104 B 471K 50V
C11	4010000500	Ceramic	DD104 B 102K 50V
C12	4510001220	Electrolytic	16 RC2 10 μ F
C13	4010003770	Ceramic	DD06 SL 0R5C 500V
C14	4010000090	Ceramic	DD104 SL 070D 50V
C15	4010003820	Ceramic	DD06 SL 050C 500V
C16	4010003820	Ceramic	DD06 SL 050C 500V
C17	4010003770	Ceramic	DD06 SL 0R5C 500V
C18	4010000090	Ceramic	DD104 SL 070D 50V
C20	4010003830	Ceramic	DD06 SL 060D 500V
C21	4010003820	Ceramic	DD06 SL 050C 500V
C22	4010003830	Ceramic	DD06 SL 060D 500V
C23	4010003820	Ceramic	DD06 SL 050C 500V
C25	4010000260	Ceramic	DD104 SL 470J 50V
C26	4010000500	Ceramic	DD104 B 102K 50V
C27	4010000500	Ceramic	DD104 B 102K 50V
C28	4010000500	Ceramic	DD104 B 102K 50V
C29	4510001220	Electrolytic	16 RC2 10 μ F
C30	4010000500	Ceramic	DD104 B 102K 50V
C31	4010000500	Ceramic	DD104 B 102K 50V
C32	4040000260	Barrier Layer	UZE 08X 104M
EP1	0910020664	P.C. Board	B-2003D (PA)
EP2	6910000970	Lead Frame	DL 2OP 2.8-3-1.2H

[PA UNIT] (50W version)

REF. NO.	ORDER NO.	DESCRIPTION	
C1	4550000260	Tantalum	DN 1V 100M
C2	4010000500	Ceramic	DD104 B 102K 50V
C3	4010000460	Ceramic	DD104 B 471K 50V
C4	4010000460	Ceramic	DD104 B 471K 50V
C5	4010000500	Ceramic	DD104 B 102K 50V
C6	4510001220	Electrolytic	16 RC2 10 μ F
C7	4550000260	Tantalum	DN 1V 100M
C8	4010000500	Ceramic	DD104 B 102K 50V
C9	4010000500	Ceramic	DD104 B 102K 50V
C10	4010000460	Ceramic	DD104 B 471K 50V
C11	4010000500	Ceramic	DD104 B 102K 50V
C12	4510001220	Electrolytic	16 RC2 10 μ F
C13	4010000460	Ceramic	DD104 B 471K 50V
C14	4010000500	Ceramic	DD104 B 102K 50V
C15	4510001220	Electrolytic	16 RC2 10 μ F
C16	4550000320	Tantalum	DN 1V 0R1M
C17	4550002430	Tantalum	DN 1V R33M
C18	4010003770	Ceramic	DD06 SL 0R5C 500V
C19	4010000120	Ceramic	DD104 SL 100D 50V
C20	4010003820	Ceramic	DD06 SL 050C 500V
C21	4010003820	Ceramic	DD06 SL 050C 500V
C22	4010003770	Ceramic	DD06 SL 0R5C 500V
C23	4010000120	Ceramic	DD104 SL 100D 50V
C25	4010003830	Ceramic	DD06 SL 060D 500V
C26	4010003820	Ceramic	DD06 SL 050C 500V
C27	4010003830	Ceramic	DD06 SL 060D 500V
C28	4010003820	Ceramic	DD06 SL 050C 500V
C30	4010000260	Ceramic	DD104 SL 470J 50V
C31	4010000500	Ceramic	DD104 B 102K 50V
C32	4010000500	Ceramic	DD104 B 102K 50V
C33	4010000500	Ceramic	DD104 B 102K 50V
C34	4510001220	Electrolytic	16 RC2 10 μ F
C35	4010000500	Ceramic	DD104 B 102K 50V
C36	4010000500	Ceramic	DD104 B 102K 50V
C37	4040000260	Barrier Layer	UZE 08X 104M
EP1	0910020675	P.C. Board	B-2004E (50W-PA)
EP2	6910000970	Lead Frame	DL 2OP 2.8-3-1.2H
EP3	6910000800	Bead core	FSOH050RN

[PA UNIT] (50W version)

REF. NO.	ORDER NO.	DESCRIPTION	
IC1	1150000640	IC	SC1081
IC2	1150000620	IC	SC1111
IC3	1180000060	IC	NJM78L05A
IC4	1110000070	IC	μ PC358C
Q1	1530000110	Transistor	2SC2458-GR
Q2	1520000220	Transistor	2SB1019-Y
D1	1790000250	Diode	1SS97
D2	1790000250	Diode	1SS97
L1	6110001520	Coil	LA-232
L2	6110001520	Coil	LA-232
L3	6110001520	Coil	LA-232
L4	6170000350	Coil	LW-34
R1	7010003150	Resistor	ELR20J 8.2 Ω
R2	7010003300	Resistor	ELR20J 150 Ω
R3	7010003150	Resistor	ELR20J 8.2 Ω
R4	7010003990	Resistor	R20J 22 Ω
R5	7010004270	Resistor	R20J 4.7 k Ω
R6	7010004270	Resistor	R20J 4.7 k Ω
R7	7010003480	Resistor	ELR20J 4.7 k Ω
R8	7010004370	Resistor	R20J 22 k Ω
R9	7010003280	Resistor	ELR20J 100 Ω
R10	7010003550	Resistor	ELR20J 15 k Ω
R11	7010003460	Resistor	ELR20J 3.3 k Ω
R12	7310000730	Trimmer	RH0851CN3J01A (332)
R13	7010003770	Resistor	ELR20J 620 k Ω
R14	7010003530	Resistor	ELR20J 10 k Ω
R15	7010004390	Resistor	R20J 33 k Ω
R16	7010003530	Resistor	ELR20J 10 k Ω
R17	7010004130	Resistor	R20J 330 Ω

[REG-B UNIT]

REF. NO.	ORDER NO.	DESCRIPTION	
Q1	1520000100	Transistor	2SB863-O
Q2	1520000100	Transistor	2SB863-O
Q3	1540000200	Transistor	2SD1406 Y
D1	1790000130	Diode	S25VB20
R1	7010004070	Resistor	R20J 100 Ω
R2	7010004150	Resistor	R20J 470 Ω
R3	7100000190	Resistor	SRW3P 0R03 Ω (R03)
R4	7100000190	Resistor	SRW3P 0R03 Ω (R03)
R5	7100000190	Resistor	SRW3P 0R03 Ω (R03)
R6	7100000190	Resistor	SRW3P 0R03 Ω (R03)
C1	4010000530	Ceramic	DD112 B 103K 50V
C2	4010000530	Ceramic	DD112 B 103K 50V
C3	4010000530	Ceramic	DD112 B 103K 50V
C4	4010000530	Ceramic	DD112 B 103K 50V
S1	6910000030	Thermostat	OHD 50M
EP1	0910019114	P.C. Board	B-1837D (REG-B)

SECTION 6 ADJUSTMENT PROCEDURES

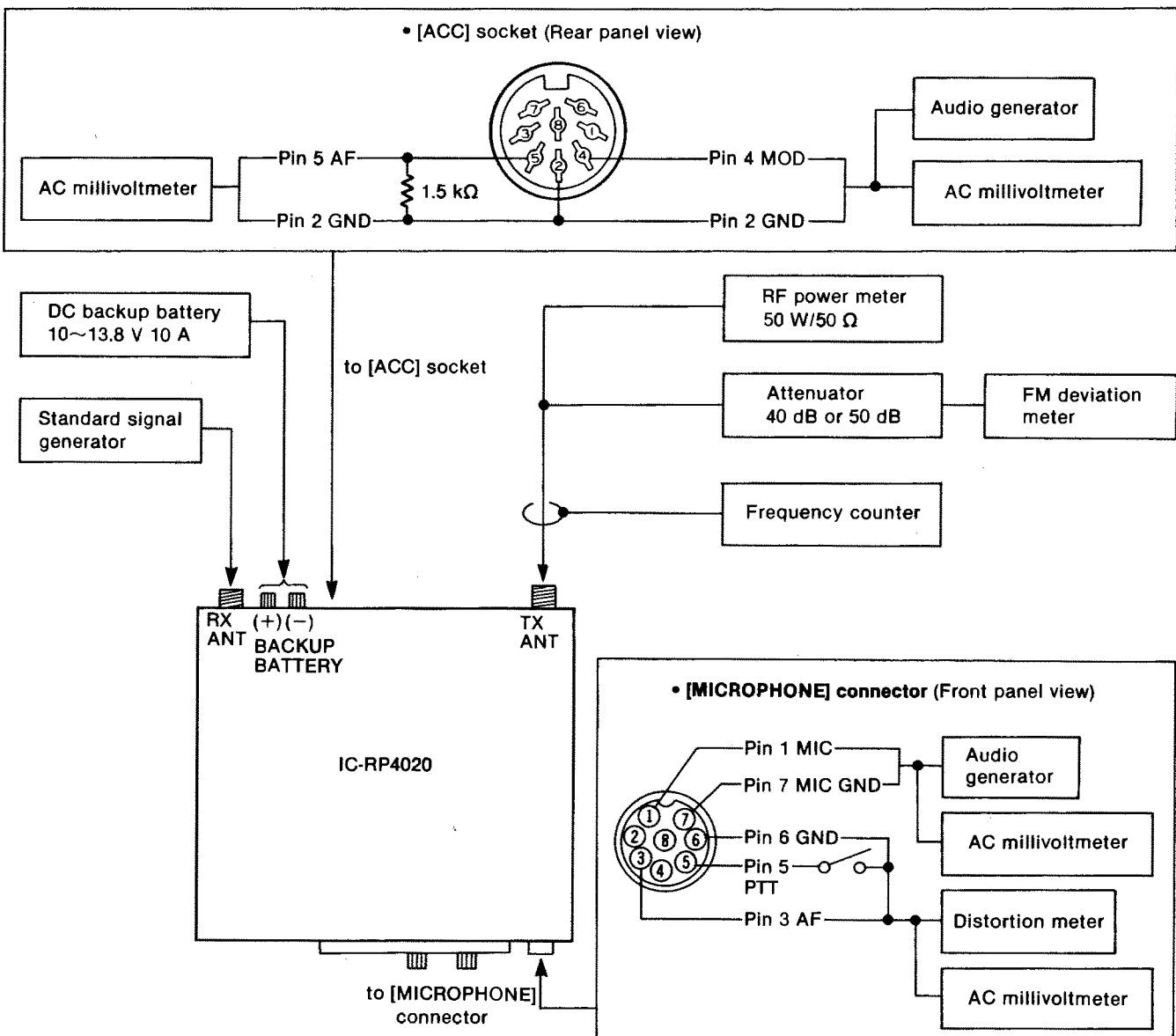
6-1 PREPARATION BEFORE SERVICING

■ REQUIRED TEST EQUIPMENT

EQUIPMENT	GRADE AND RANGE	EQUIPMENT	GRADE AND RANGE
DC backup battery	Output voltage : 10~13.8 V DC Current capacity : 10 A or more	AC millivoltmeter	Measuring range : 10 mV~3 V
RF power meter (terminated type)	Measuring range : 1~50 W Frequency range : 400~500 MHz Impedance : 50 Ω SWR : Less than 1.2: 1	Audio generator	Frequency range : 300~3000 Hz Output level : 1~300 mV
Frequency counter	Frequency range : 0.1~500 MHz Frequency accuracy : ±1 ppm or better Sensitivity : 100 mV or better	Attenuator	Power attenuation : 40 or 50 dB Capacity : 60 W or more
Oscilloscope	Frequency range : DC~20 MHz Measuring range : 0.01~10 V	Distortion meter	Frequency range : 1 kHz±10 Hz Measuring range : 1~20 %
Standard signal generator (SSG)	Frequency range : 0.1~500 MHz Output level : -127~-17 dBm (0.1 μV~32 mV)	FM deviation meter	Frequency minimum : 500 MHz Measuring range : 0~±10 kHz
		DC voltmeter	Input impedance : 50 kΩ/DC or better

CW: Clockwise CCW: Counterclockwise

■ CONNECTION



6-2 TX PLL ADJUSTMENT

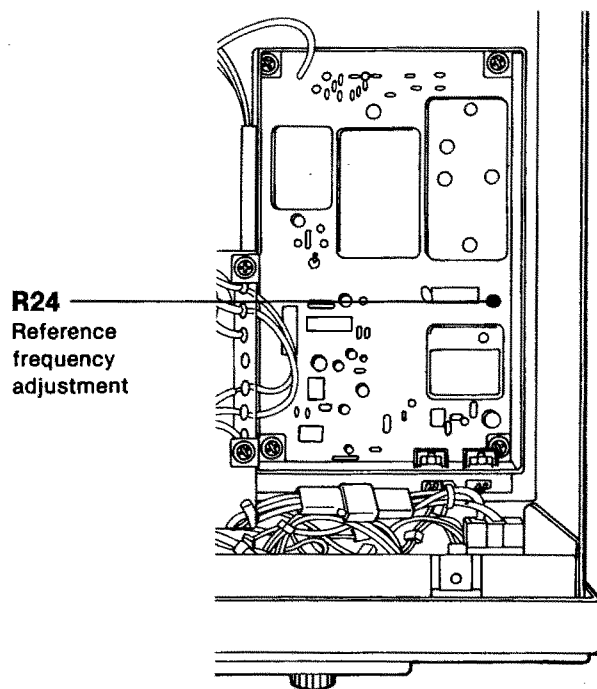
ADJUSTMENT	ADJUSTMENT CONDITIONS	MEASUREMENT		VALUE	ADJUSTMENT POINT	
		UNIT	LOCATION		UNIT	ADJUST
REFERENCE FREQUENCY	1 <ul style="list-style-type: none"> • Connect the RF power meter or a 50 Ω dummy load to the [TX ANT] connector. • Transmitting 	Rear panel	Loosely couple the frequency counter to the [TX ANT] connector.	Same as the identification frequency.	TX	R24

6-3 RECEIVER ADJUSTMENT

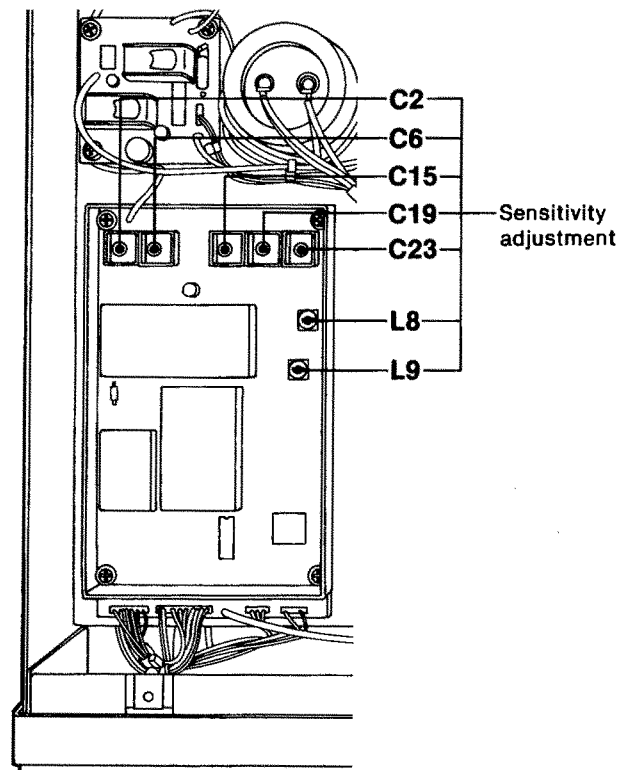
ADJUSTMENT	ADJUSTMENT CONDITIONS	MEASUREMENT		VALUE	ADJUSTMENT POINT	
		UNIT	LOCATION		UNIT	ADJUST
SENSITIVITY	1 <ul style="list-style-type: none"> • [LOCAL INHIBIT] switch: ON • Connect the SSG to the [RX ANT] connector and set as: <ul style="list-style-type: none"> Level : 1.0 μV* (-107 dBm) Modulation: 1 kHz Deviation : ±3.5 kHz • Receiving 	RX	Connect the distortion meter to the [MICROPHONE] connector, pin 3 (AF) and pin 6 (GND) with an AC millivoltmeter.	Minimum distortion level	RX	Adjust in sequence C2, C6, C15, C19, C23, L8, L9

*This output level of the standard signal generator (SSG) is indicated as SSG's open circuit.

• TX UNIT



• RX UNIT

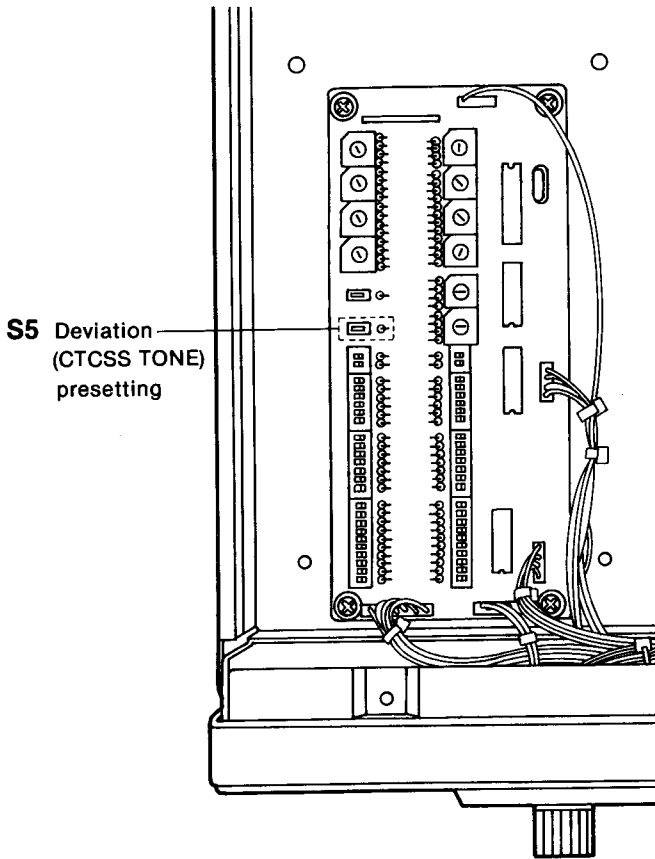


6-4 TRANSMITTER ADJUSTMENT

ADJUSTMENT	ADJUSTMENT CONDITIONS	MEASUREMENT		VALUE	ADJUSTMENT POINT				
		UNIT	LOCATION		UNIT	ADJUST			
DEVIATION CTCSS TONE	1	<ul style="list-style-type: none"> • [LOCAL INHIBIT] switch: ON • Set the FM deviation meter as: HPF : OFF LPF : 20 kHz De-emphasis: OFF Detector : (P-P)/2 • Transmitting (Ground the [MICROPHONE] connector (pin 5).) 	Rear panel	Connect the FM deviation meter to the [TX ANT] connector via the attenuator.					
	2	<ul style="list-style-type: none"> • S5 (LOGIC-A UNIT) switch: push once 					0.8 kHz	TX	R32
	3	After adjustment, turn the [LOCAL INHIBIT] switch OFF, and push S5 again.							
DEVIATION (MICROPHONE)	1	<ul style="list-style-type: none"> • [LOCAL INHIBIT] switch: ON • Connect the audio generator to the [MICROPHONE] connector and set as: Level : 2 mV Modulation : 1.0 kHz • Set the FM deviation meter as: HPF : OFF LPF : 20 kHz De-emphasis: OFF Detector : (P-P)/2 • Transmitting 	Rear panel	Connect the FM deviation meter to the [TX ANT] connector via the attenuator.	3.5 kHz	TX	R54		
	2	<ul style="list-style-type: none"> • Set the audio generator as: Level : 20 mV 						4.0~5.0 kHz	Verify
	3	After adjustment, turn the [LOCAL INHIBIT] switch OFF.							
DEVIATION (REPEATER)	1	<ul style="list-style-type: none"> • Connect the SSG to the [RX ANT] connector and set as: Level : 1.0 mV* (-47 dBm) Modulation : 1 kHz Deviation : ±3.5 kHz • Set the FM deviation meter as: HPF : OFF LPF : 20 kHz De-emphasis: OFF Detector : (P-P)/2 • Transmitting 	Rear panel	Connect the FM deviation meter to the [TX ANT] connector via the attenuator.	3.5 kHz	LOGIC	R33		
	2	<ul style="list-style-type: none"> • Set the SSG as: Level : 1.0 mV* (-47 dBm) Modulation : 1 kHz Deviation : ±5.0 kHz 						3.7~4.5 kHz	Verify

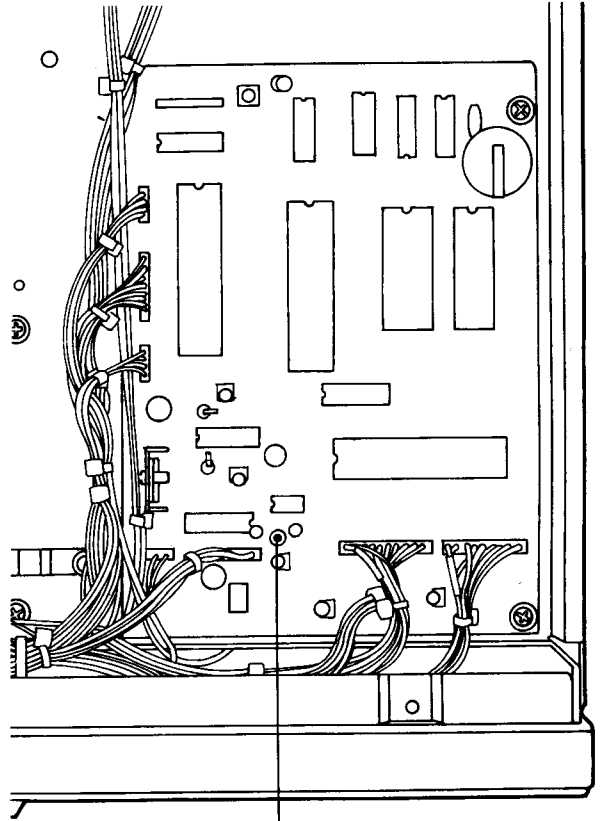
*This output level of the standard signal generator (SSG) is indicated as SSG's open circuit.

• LOGIC-A UNIT



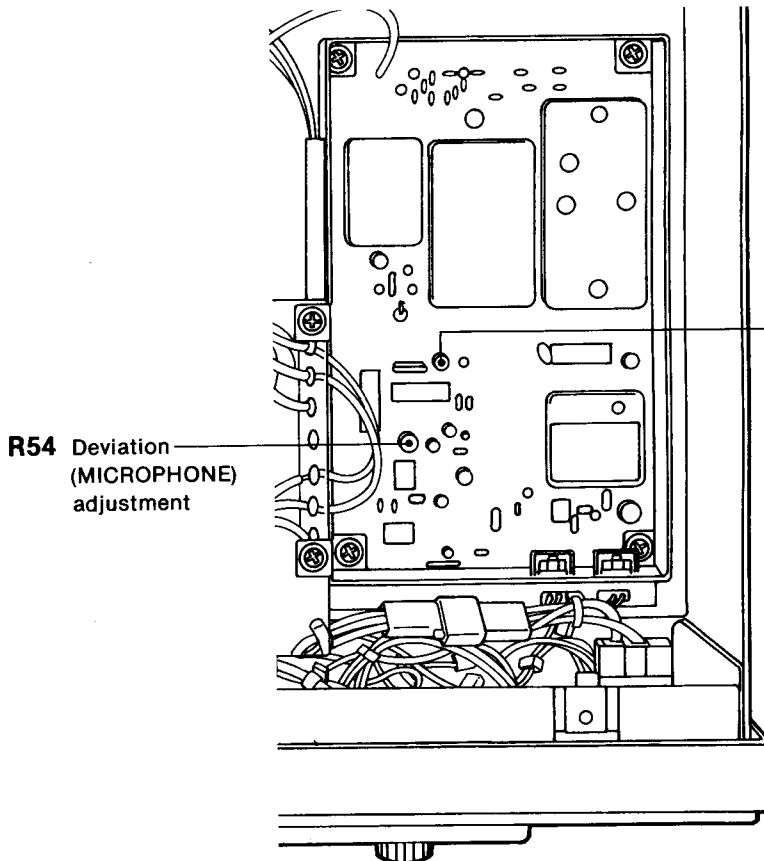
S5 Deviation
(CTCSS TONE)
presetting

• LOGIC UNIT



R33 Deviation
(REPEATER)
adjustment

• TX UNIT



R54 Deviation
(MICROPHONE)
adjustment

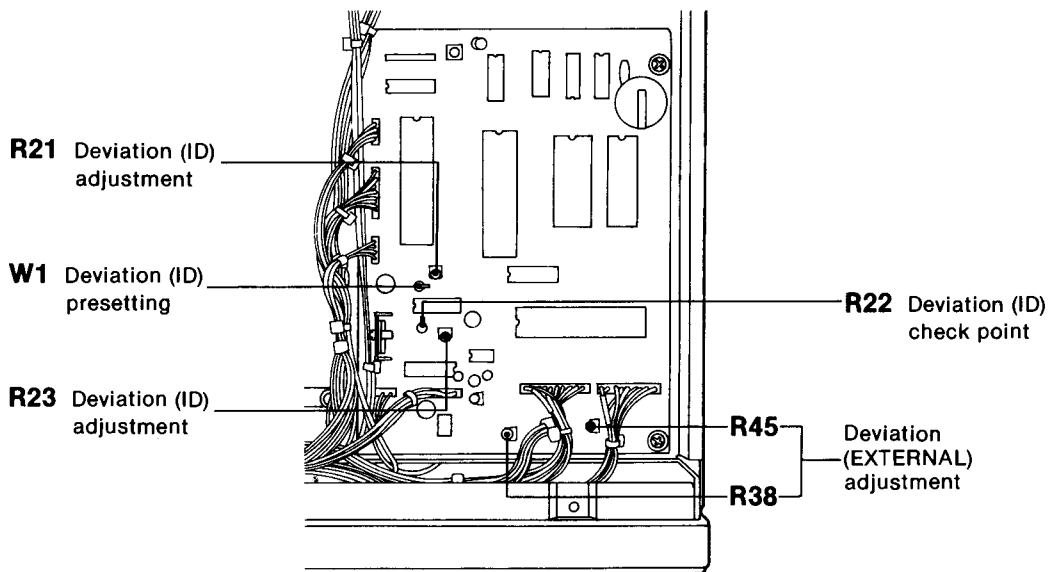
R32 Deviation
(CTCSS TONE)
adjustment

TRANSMITTER ADJUSTMENT (CONTINUED)

ADJUSTMENT	ADJUSTMENT CONDITIONS	MEASUREMENT		VALUE	ADJUSTMENT POINT		
		UNIT	LOCATION		UNIT	ADJUST	
DEVIATION (ID)	1	<ul style="list-style-type: none"> • Connect W1 (LOGIC UNIT). • Connect the FM deviation meter to the [TX ANT] connector via the attenuator and set as: HPF : OFF LPF : 20 kHz De-emphasis: OFF Detector : (P-P)/2 	LOGIC	Connect the frequency counter to R22.	800 Hz	LOGIC	R21
	2		Rear panel	FM deviation meter			1 kHz
	3	After adjustment, disconnect W1.					
DEVIATION (EXTERNAL)	1	<ul style="list-style-type: none"> • Connect the SSG to the [RX ANT] connector and set as: Level : 1.0 mV* (-47 dBm) Modulation : 1 kHz Deviation : ±3.5 kHz 	Rear panel	Connect the AC millivoltmeter to the [ACC] socket, pin 5 (AF) and pin 2 (GND).	20 mV	LOGIC	R45
	2			Connect the FM deviation meter to the [TX ANT] connector via the attenuator.			3.5 kHz

*This output level of the standard signal generator (SSG) is indicated as SSG's open circuit.

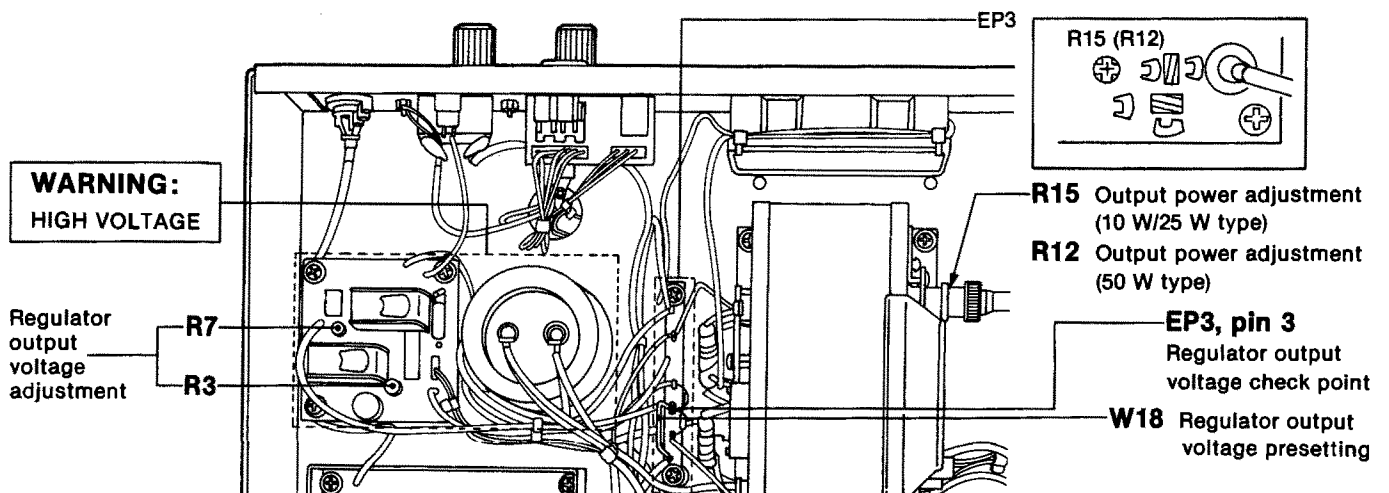
• LOGIC UNIT



TRANSMITTER ADJUSTMENT (CONTINUED)

ADJUSTMENT	ADJUSTMENT CONDITIONS	MEASUREMENT		VALUE	ADJUSTMENT POINT		
		UNIT	LOCATION		UNIT	ADJUST	
OUTPUT POWER	<ul style="list-style-type: none"> • [LOCAL INHIBIT] switch: ON • Transmitting (Ground the [MICROPHONE] connector (pin 5).) 	Rear panel	Connect the RF power meter to the [TX ANT] connector.	10 W (#02) 25 W (#03, #04)	PA	R15	
				50 W (#05, #06)		R12	
REGULATOR OUTPUT VOLTAGE	<ul style="list-style-type: none"> • Apply AC voltage to the [AC] connector. • Remove W18 (EP3). • Transmitting 	REG-A	Connect the DC voltmeter to EP3, pin 3.	14 V	REG-A	R3	
		Front panel	[POWER] indicator	Lights up in green	Front panel	Verify	
	3	After adjustment, disconnect AC voltage.					
	4	<ul style="list-style-type: none"> • Apply DC voltage (10 V). • [DC RESET] switch: ON 	REG-A	Connect the DC voltmeter to EP3, pin 3.	0 V	REG-A	R7
	5				<ul style="list-style-type: none"> • Apply DC voltage (12 V). • [DC RESET] switch: ON 		12 V
	6		Front panel	[POWER] indicator	Lights up in red.	Front panel	Verify
	7	After adjustment, reconnect W18.					

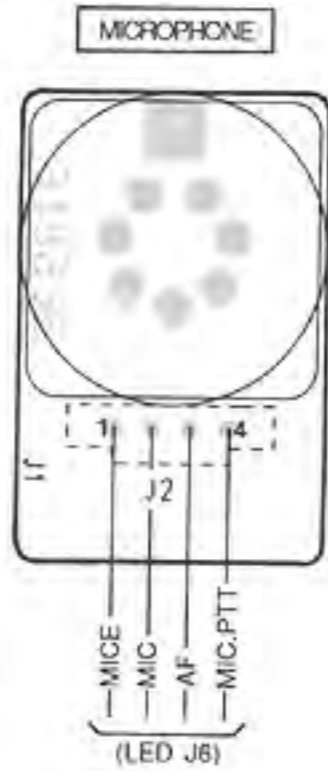
• PA AND REG-A UNITS



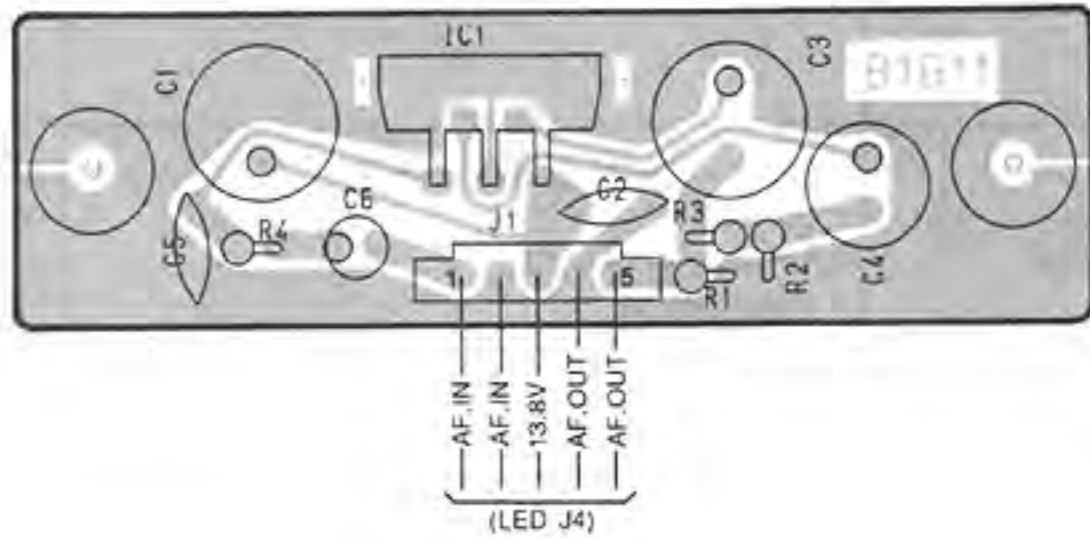
SECTION 7 BOARD LAYOUTS

7-1 FRONT UNIT

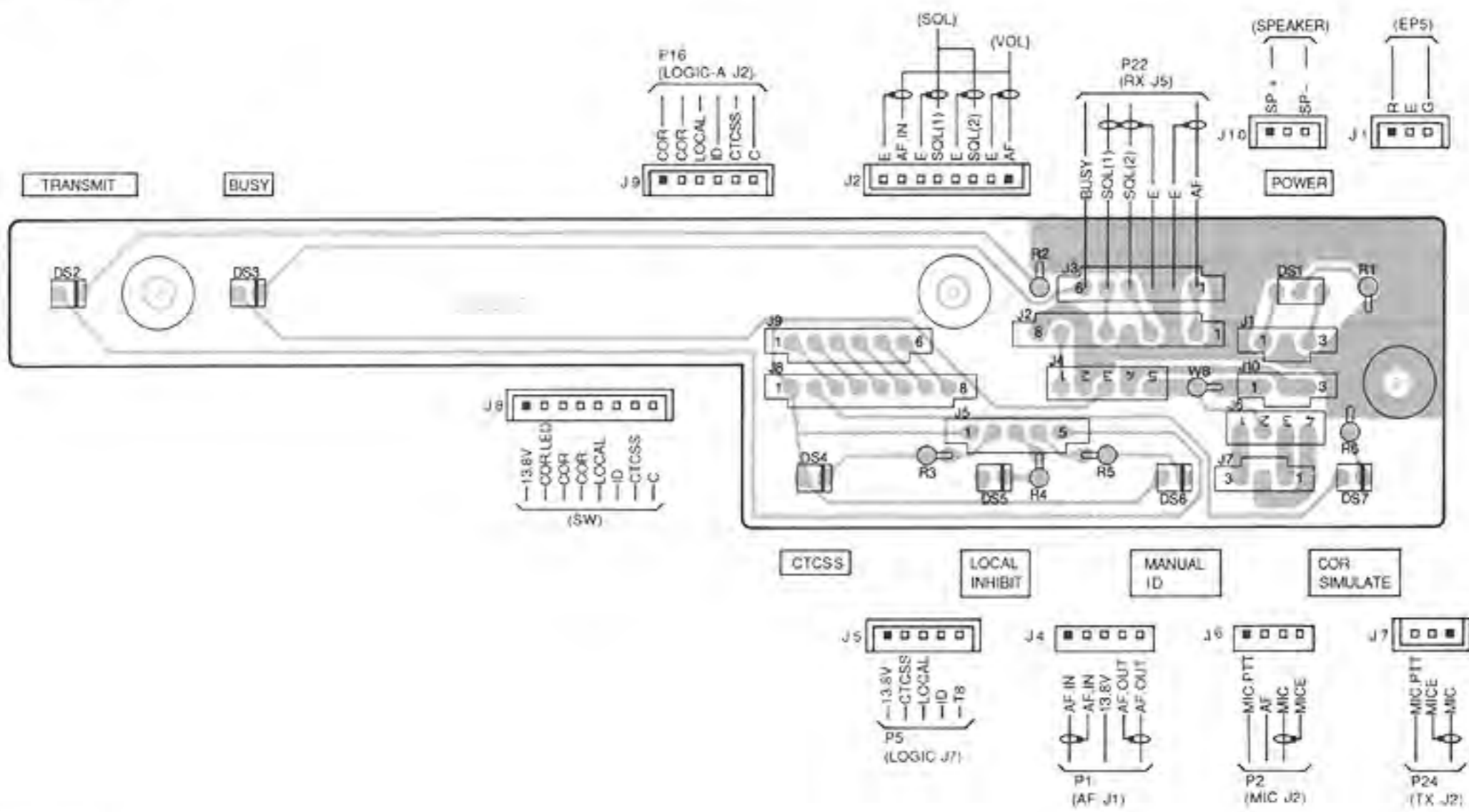
• MIC UNIT



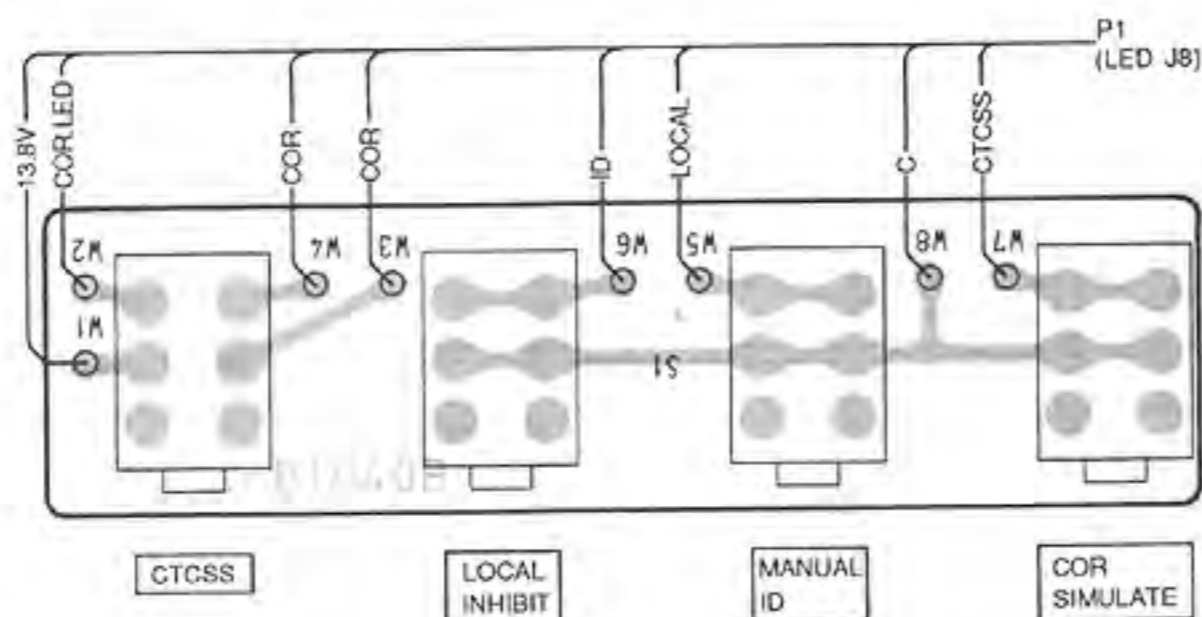
• AF UNIT



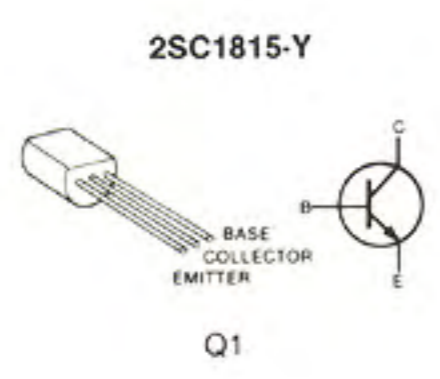
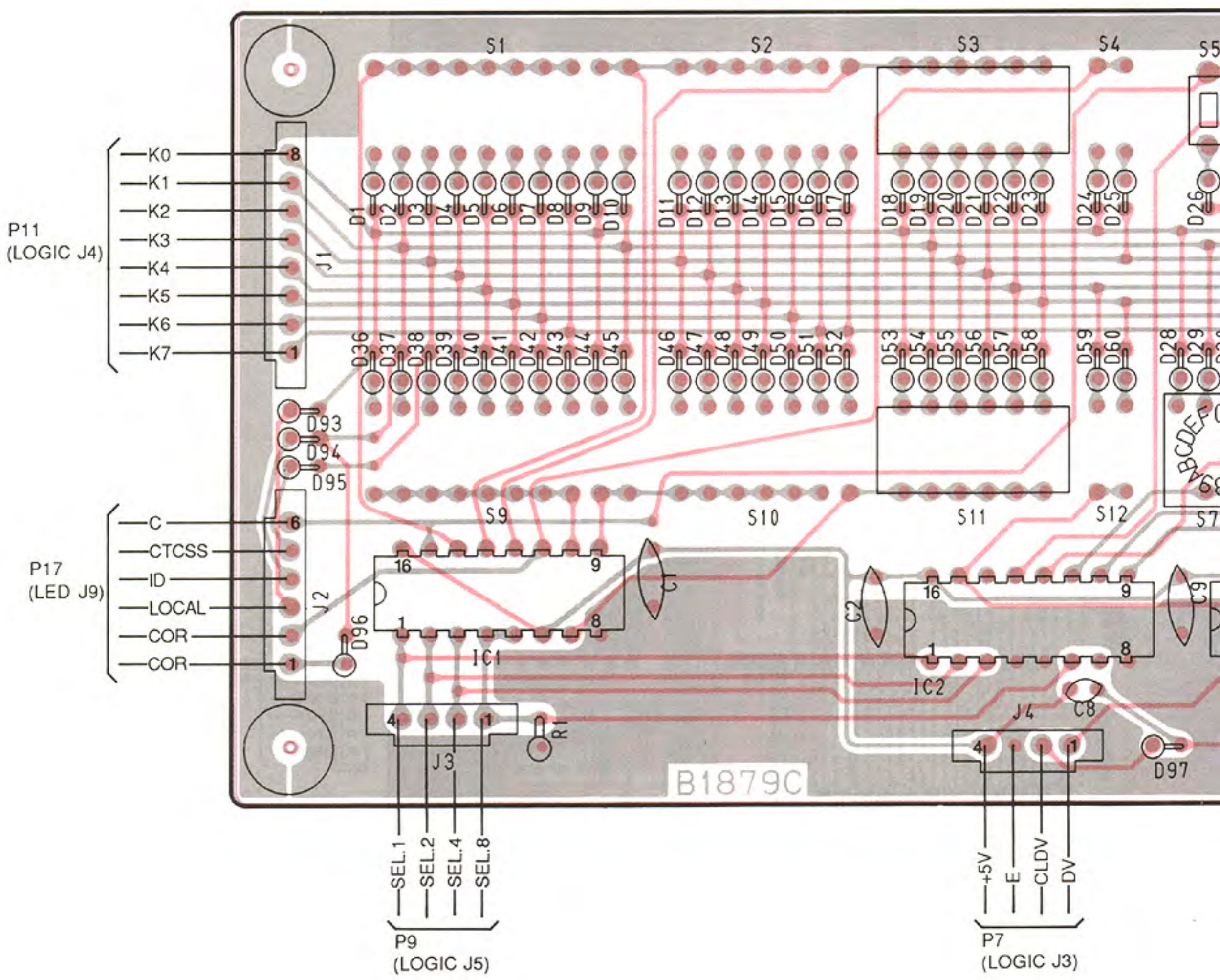
• LED UNIT

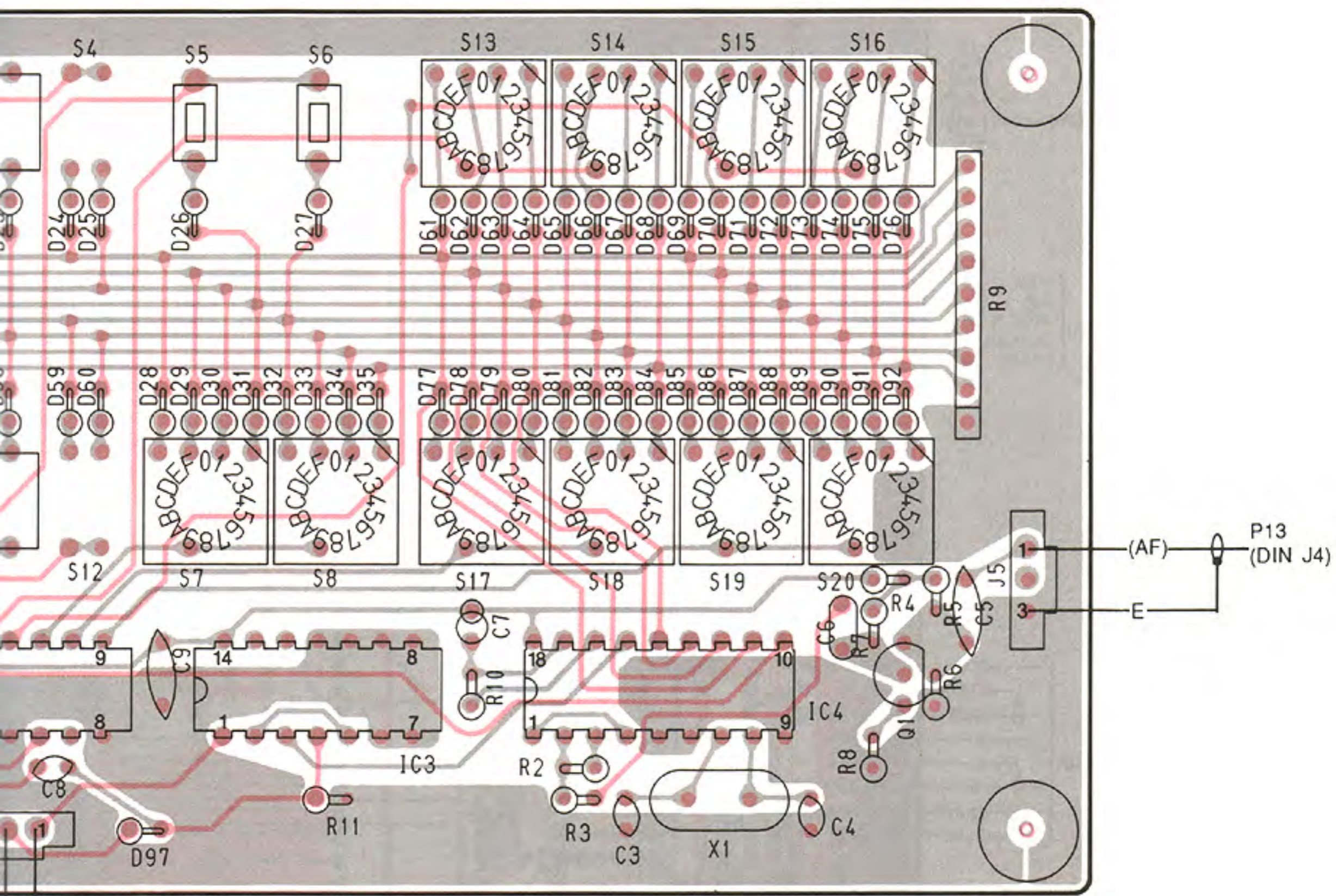


• SW UNIT



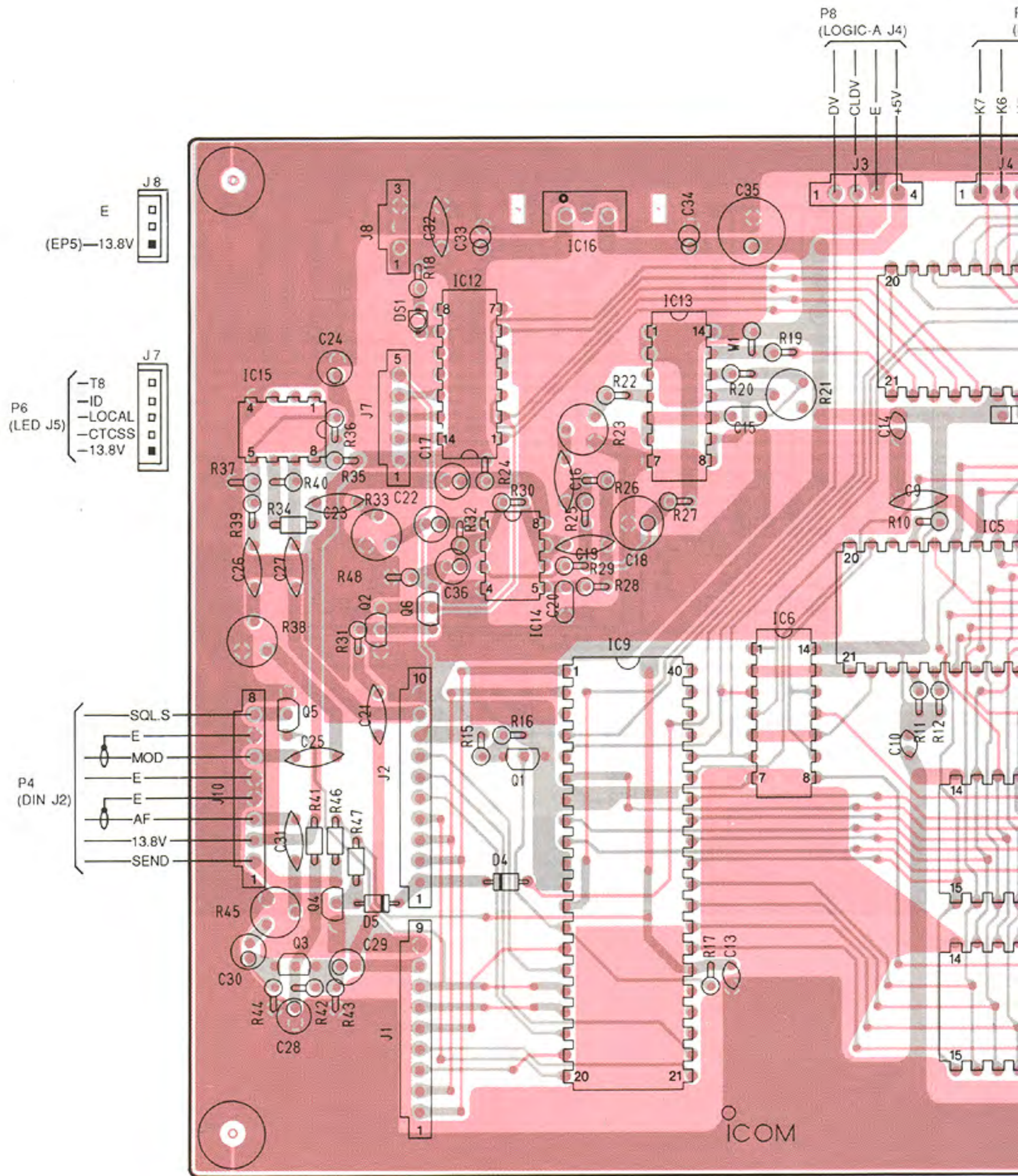
7-2 LOGIC-A UNIT



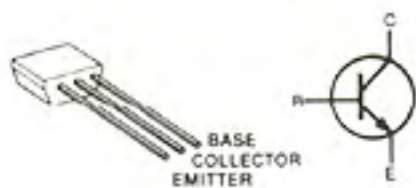


CLDV
DV
C J3)

7-3 LOGIC UNIT

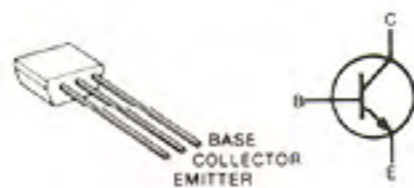


2SC2458-GR



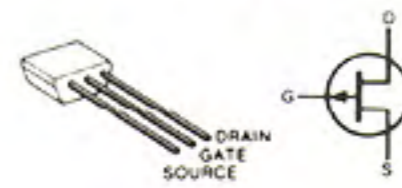
Q3

2SC3399

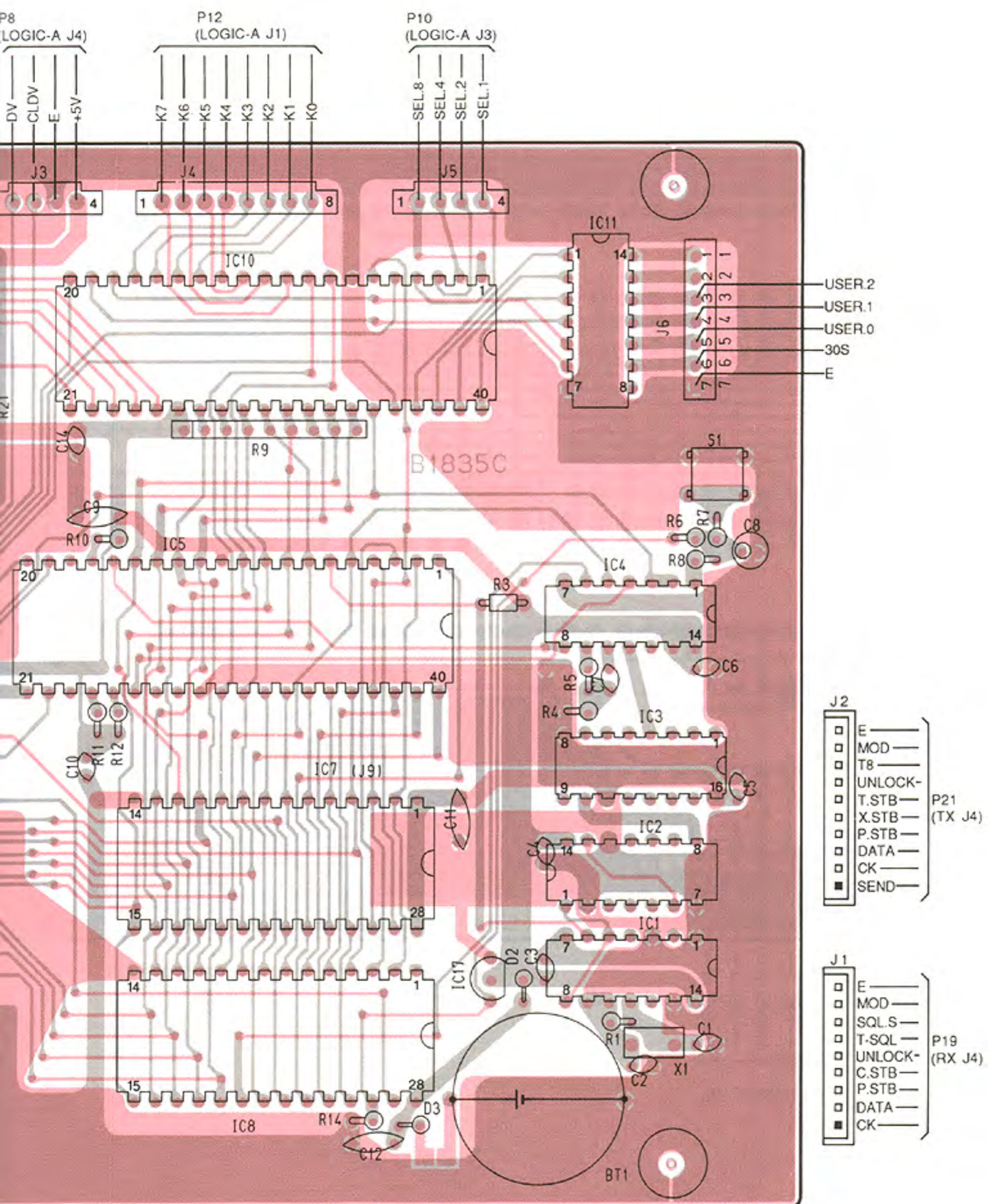


Q1, Q2, Q4, Q5

2SJ105 GR

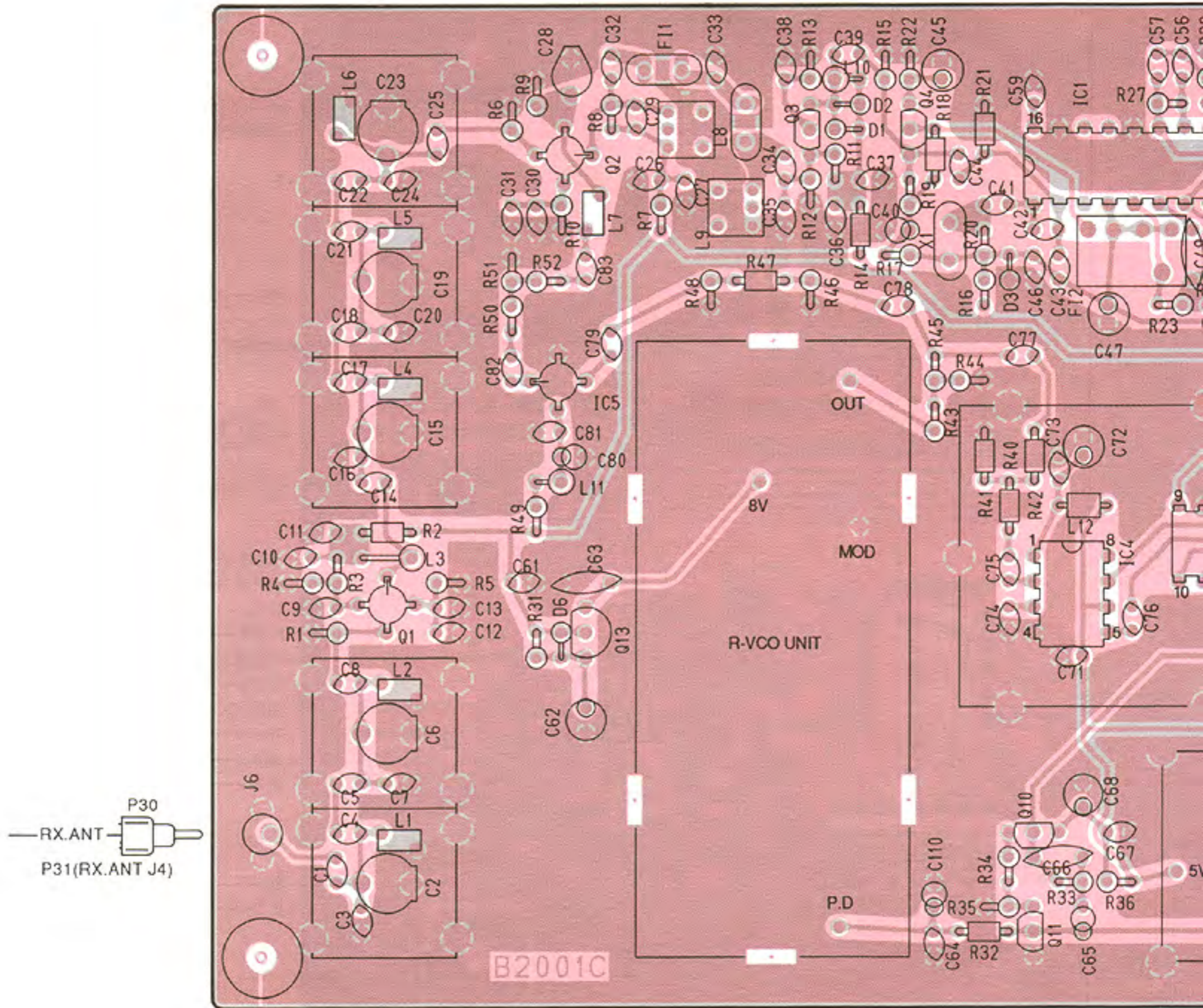


Q6



7-4 RX, R-VCO AND T-VCO UNITS

• RX UNIT

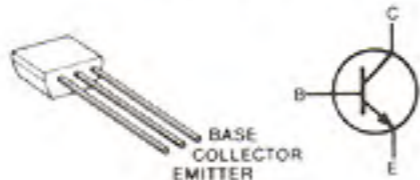


2SC1645B



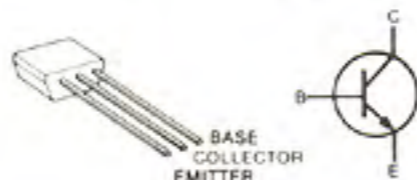
Q9, Q13

2SC2458-GR



Q5, Q11, Q12

2SC2668 O



Q4

2SC3399



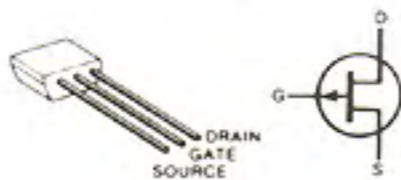
Q7, Q8

2SC3776-D



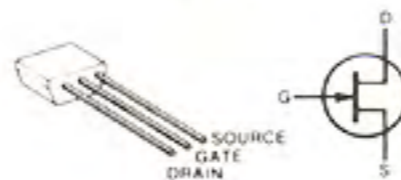
Q3

2SJ105-Y



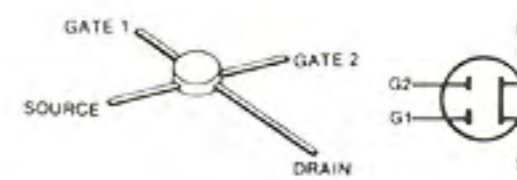
Q6

2SK184-Y

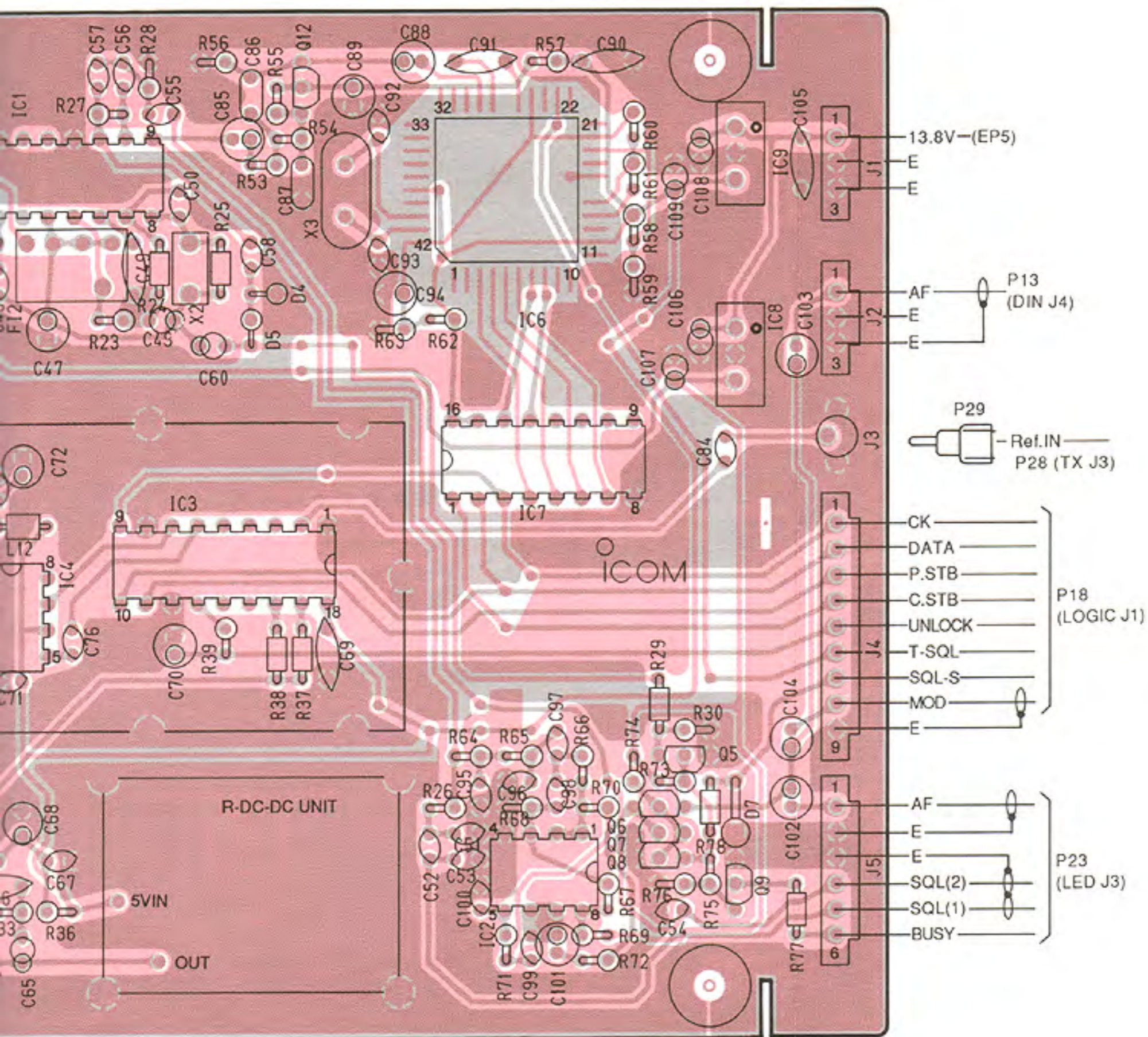


Q10

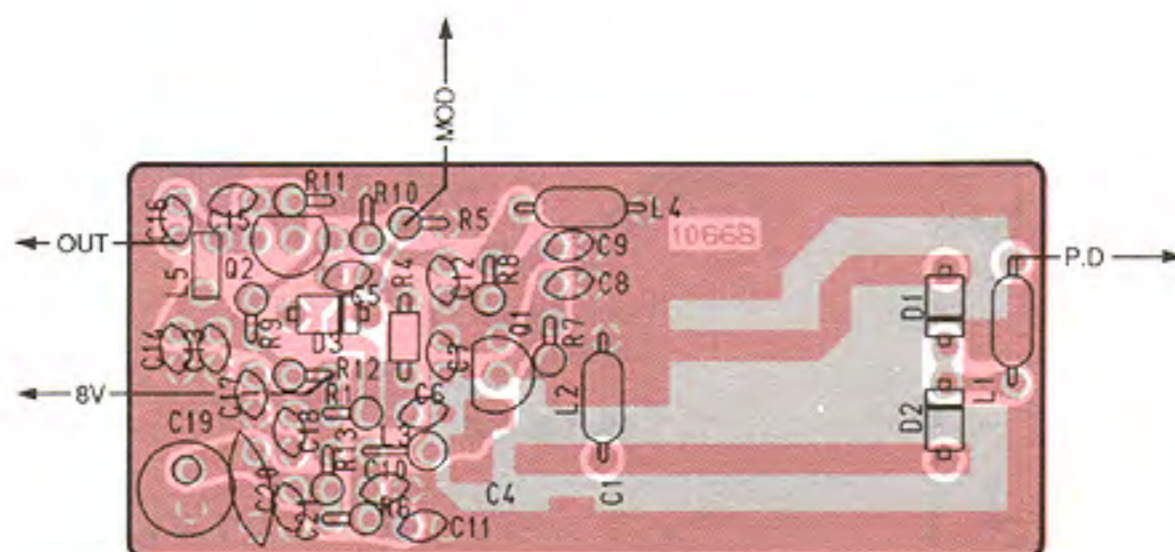
3SK121 Y



Q1, Q2



• R-VCO AND T-VCO UNITS

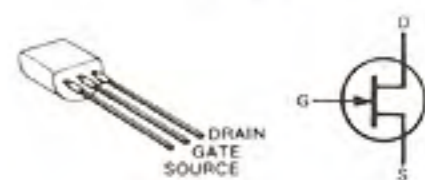


2SC3776-D



Q2

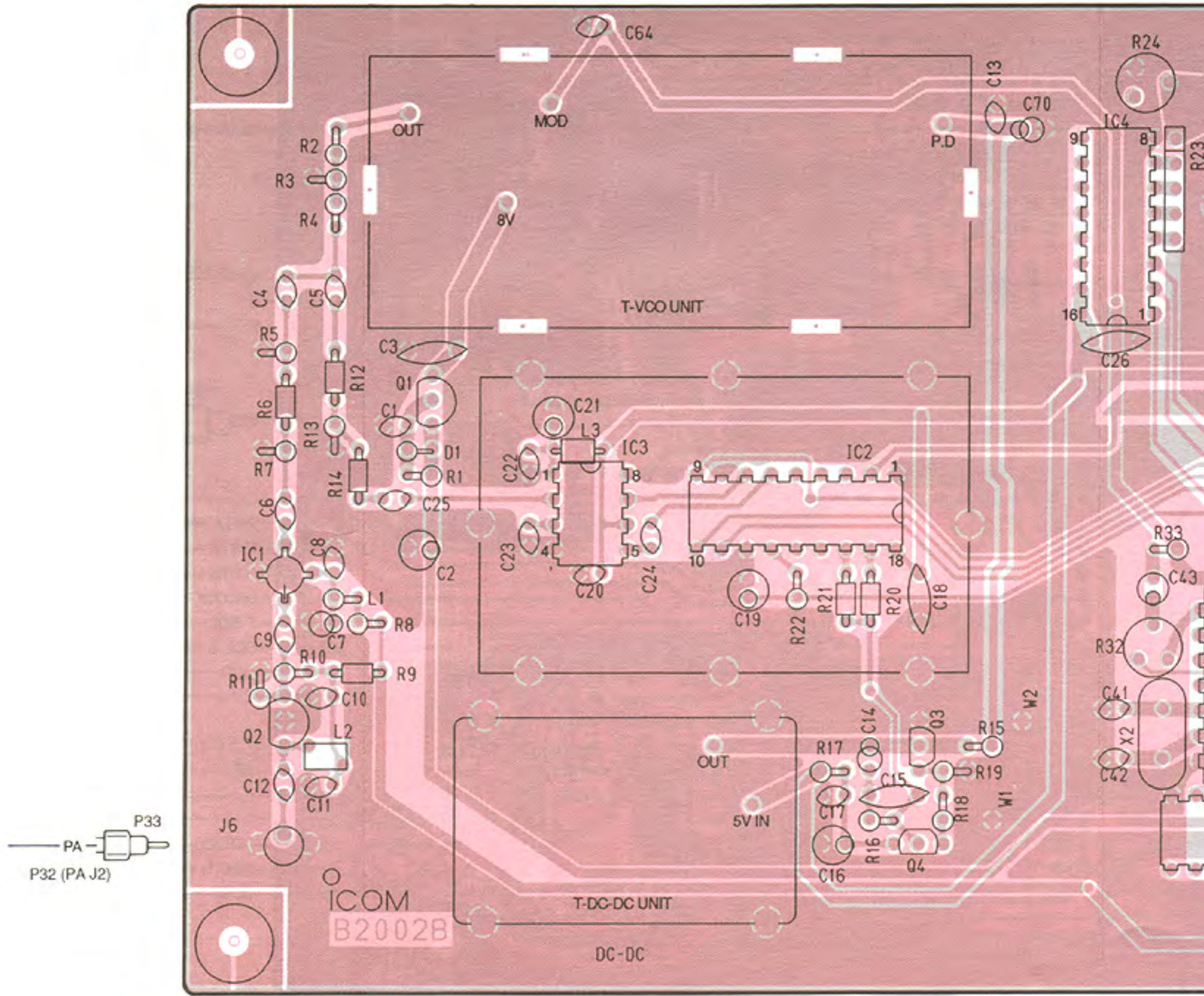
2SK125



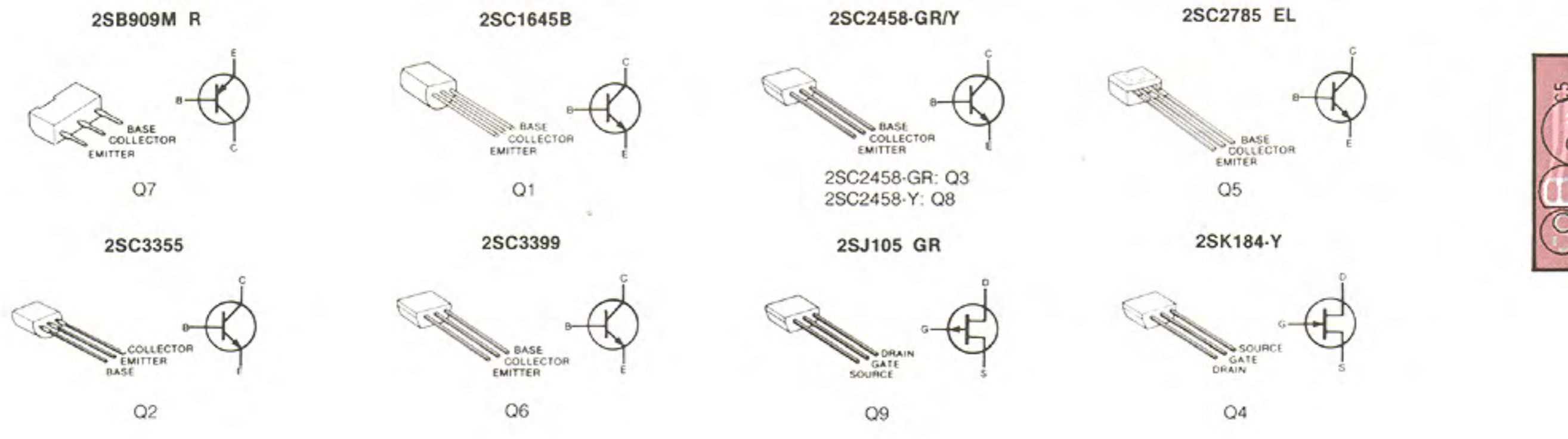
Q1

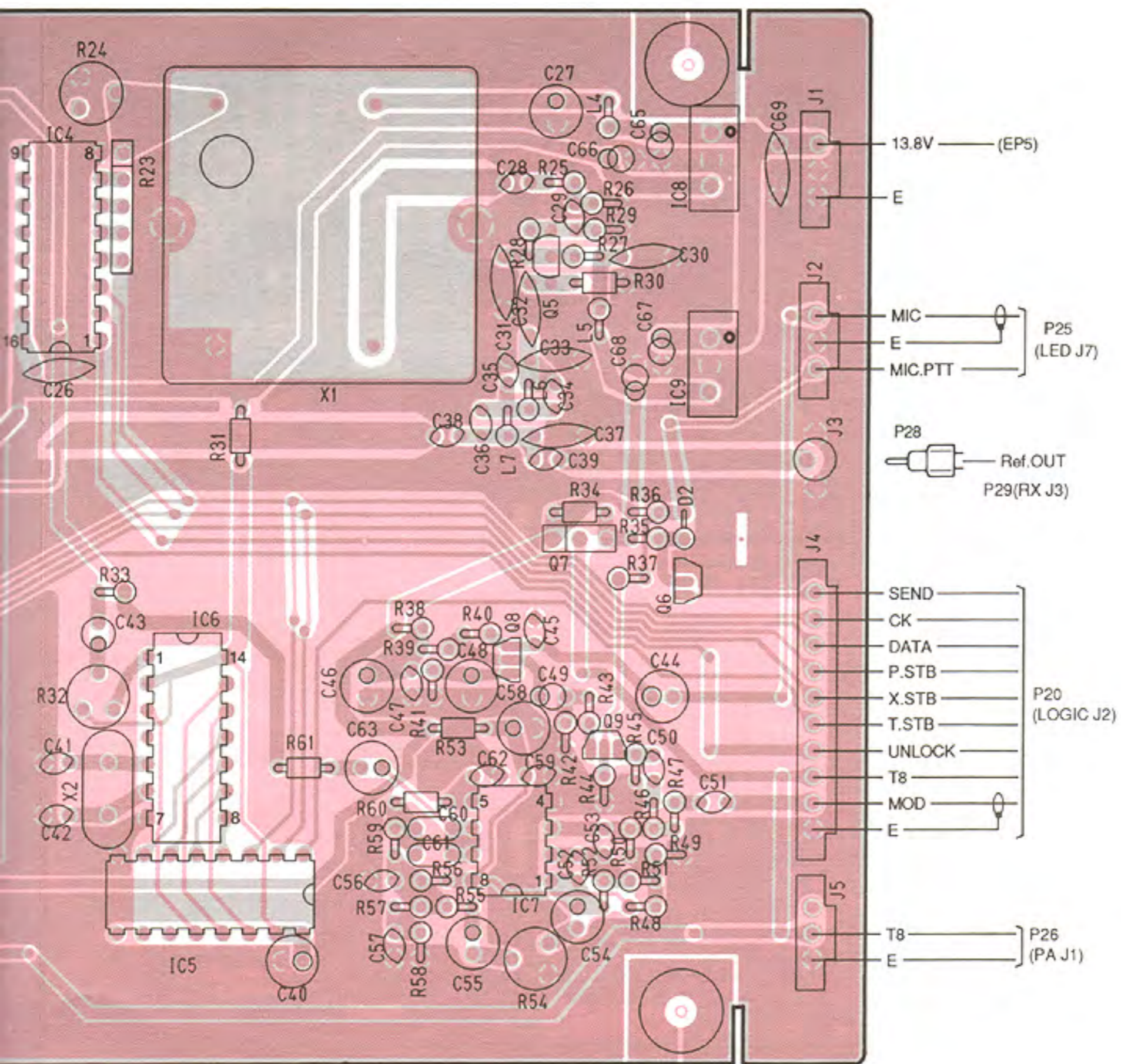
7-5 TX, R-DC-DC AND T-DC-DC UNITS

• TX UNIT

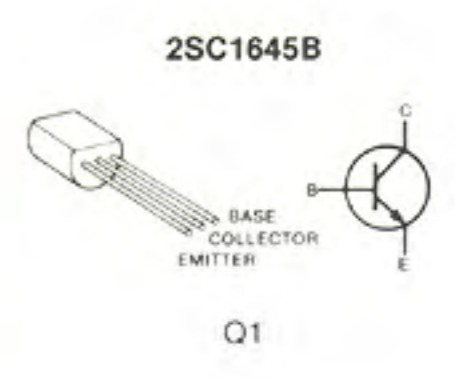
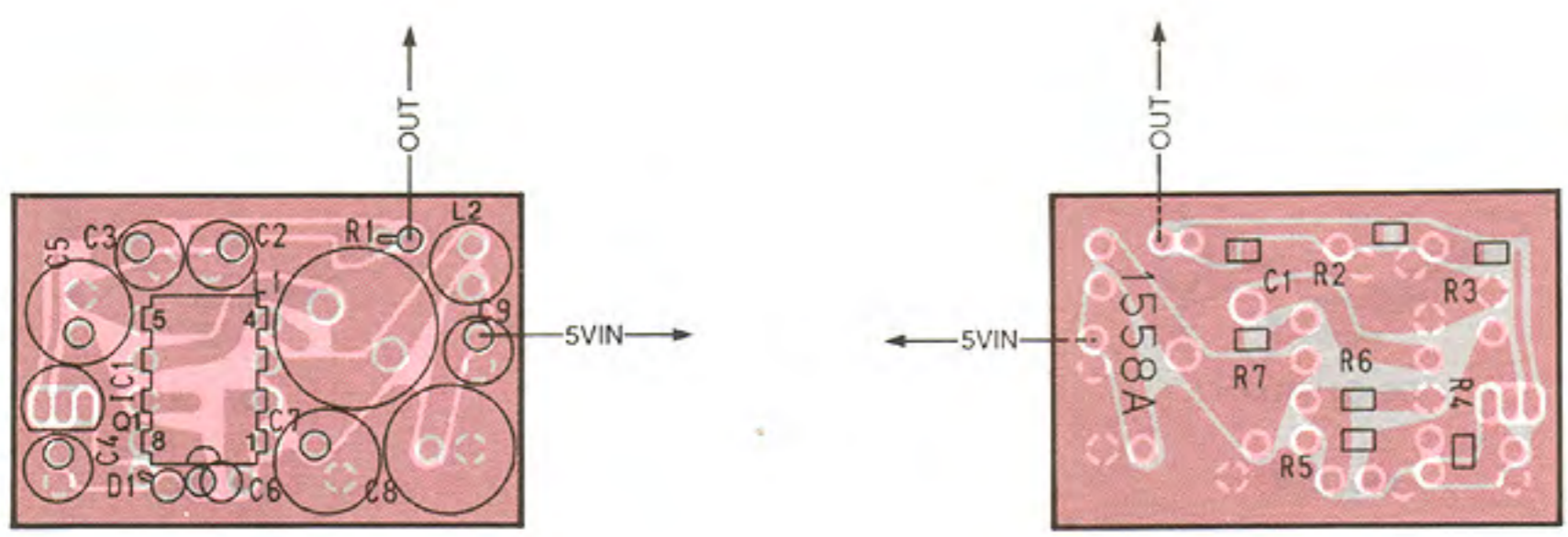


• R-DC



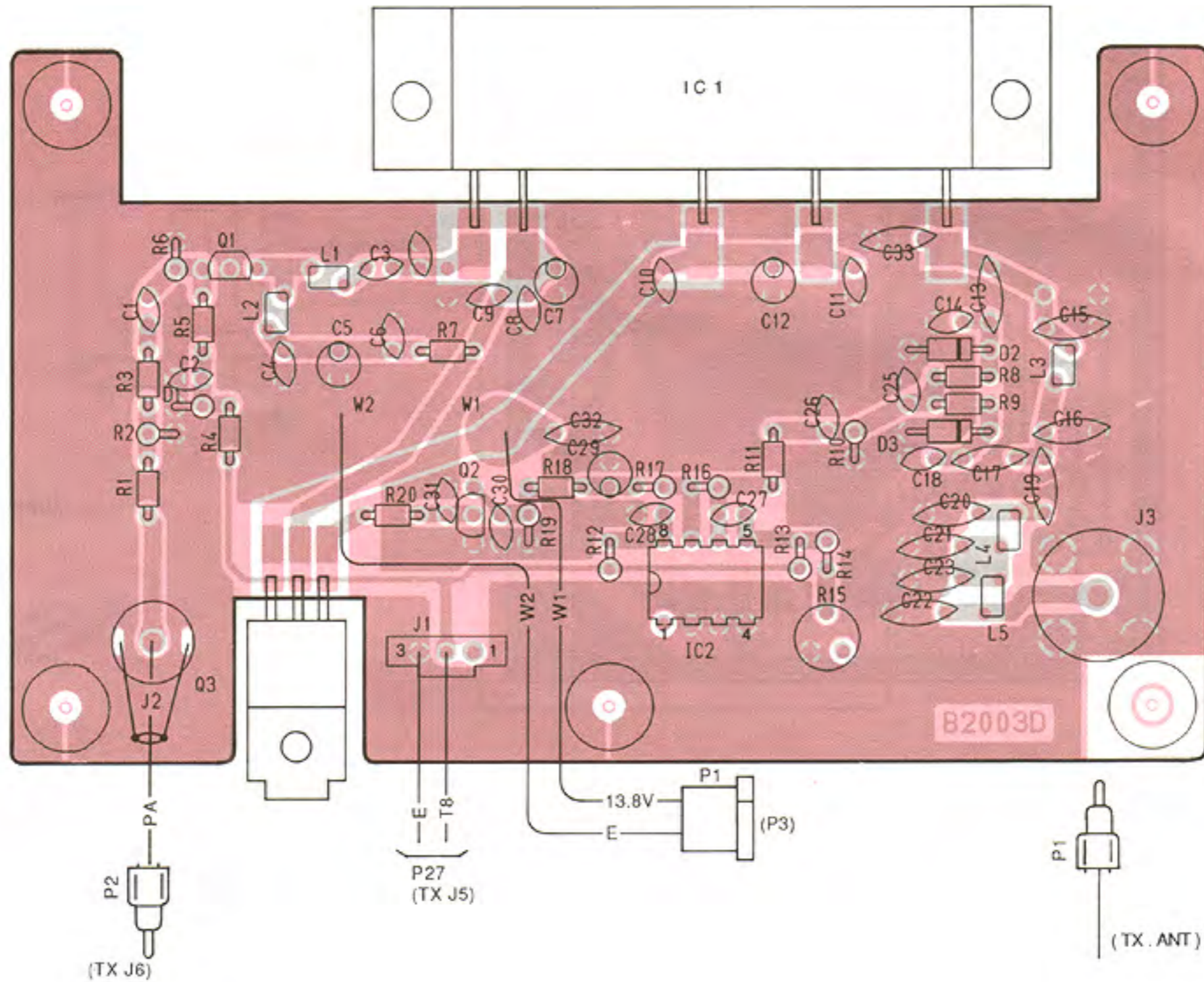


• R-DC-DC AND T-DC-DC UNITS

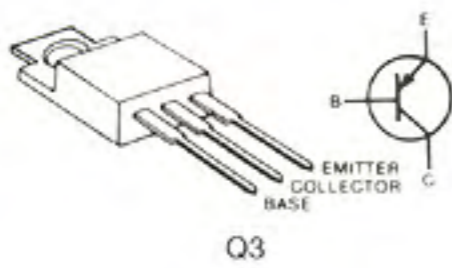


7-6 PA AND DIN UNITS

• PA UNIT (10 W/25 W)

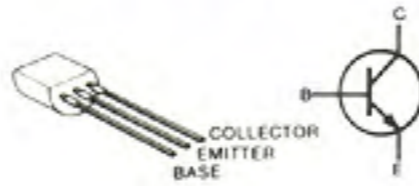


2SB1019-Y



Q3

2SC2407 (A)



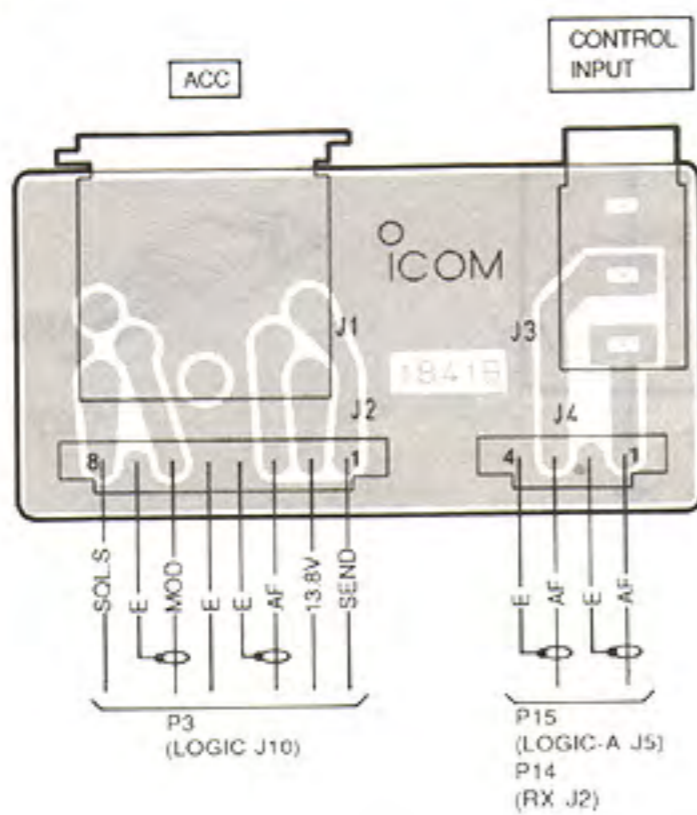
Q1

2SC2458-GR

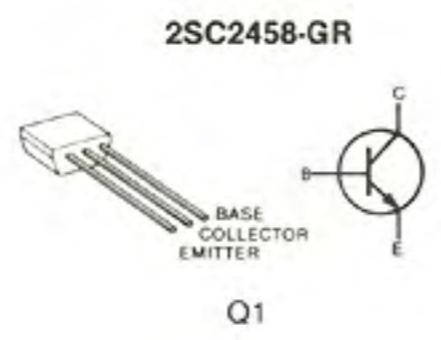
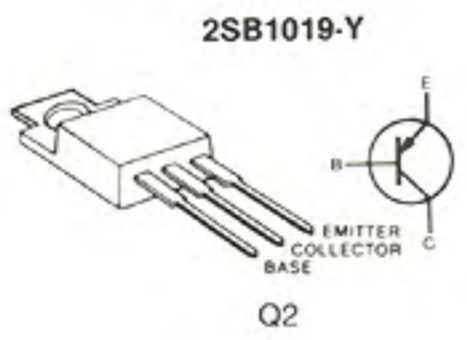
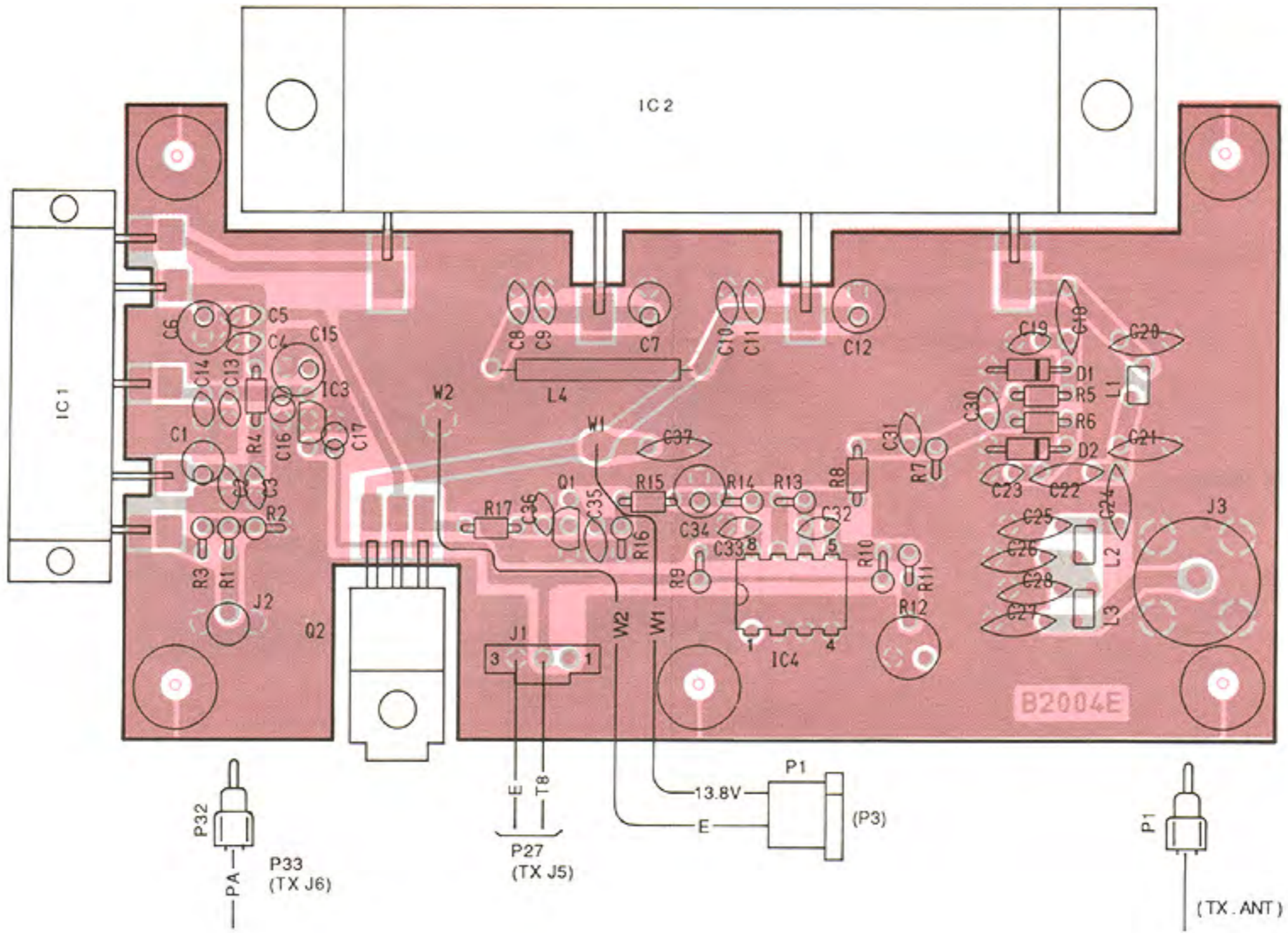


Q2

• DIN UNIT

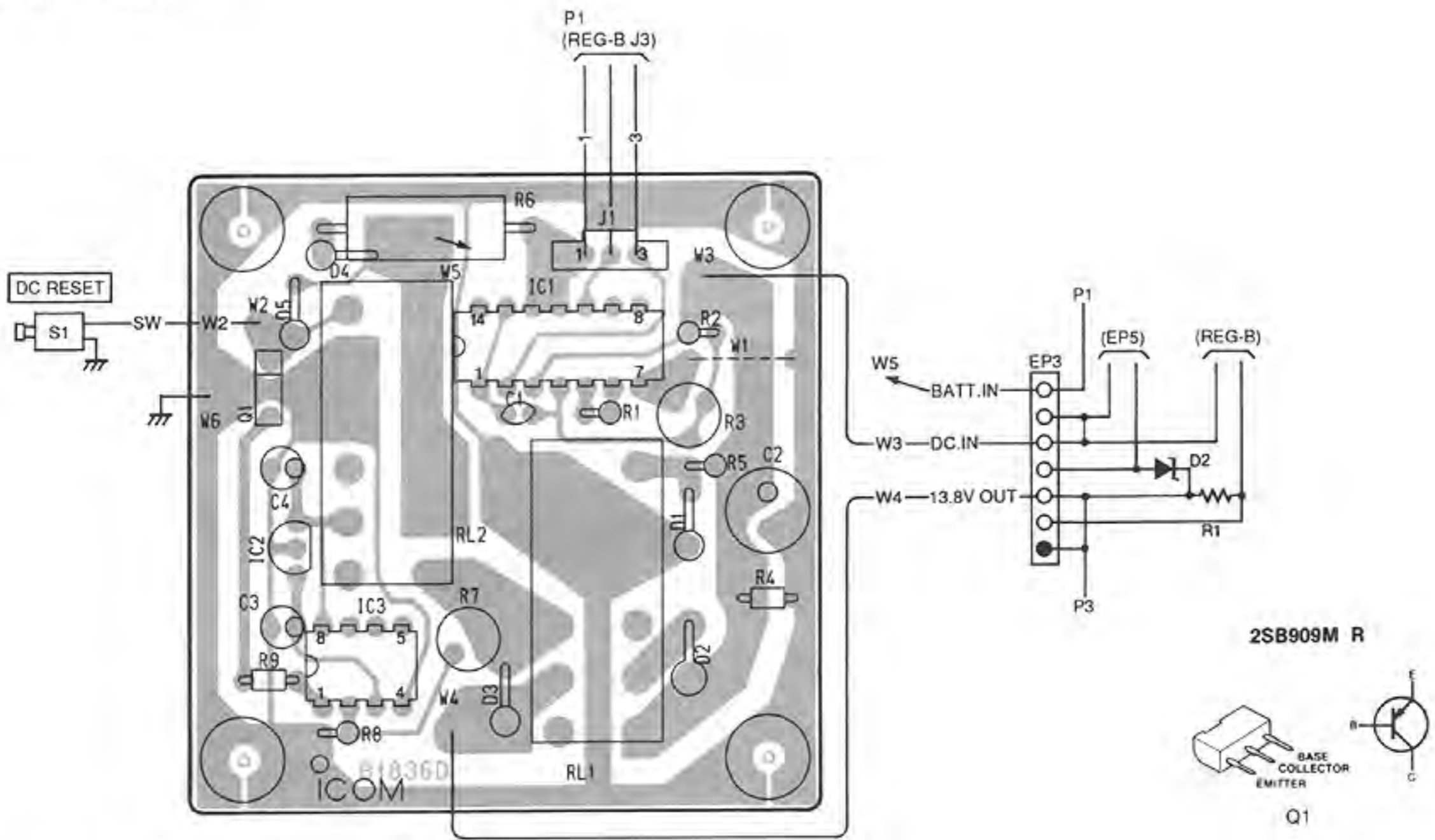


• PA UNIT (50 W)

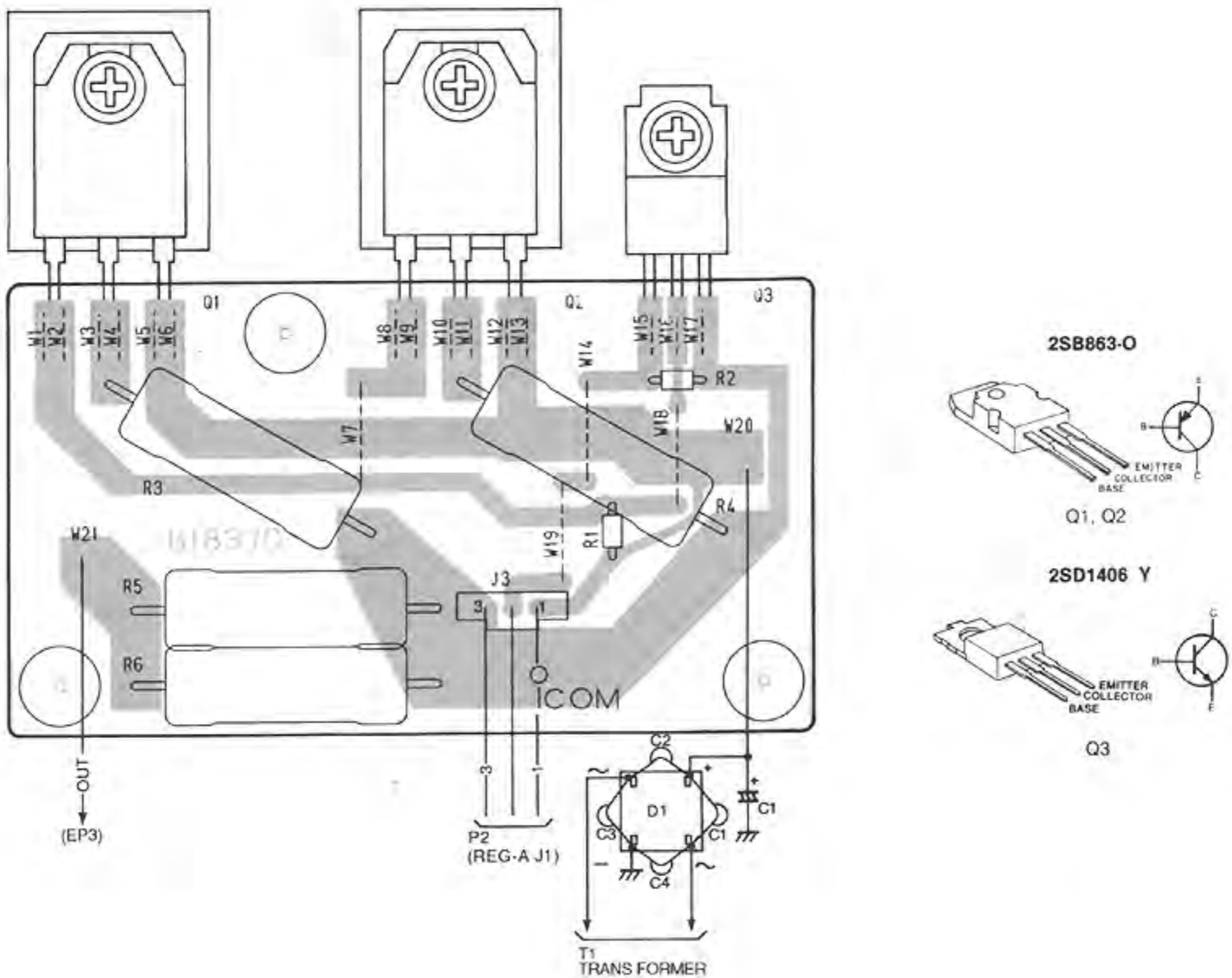


7-7 REG-A AND REG-B UNITS

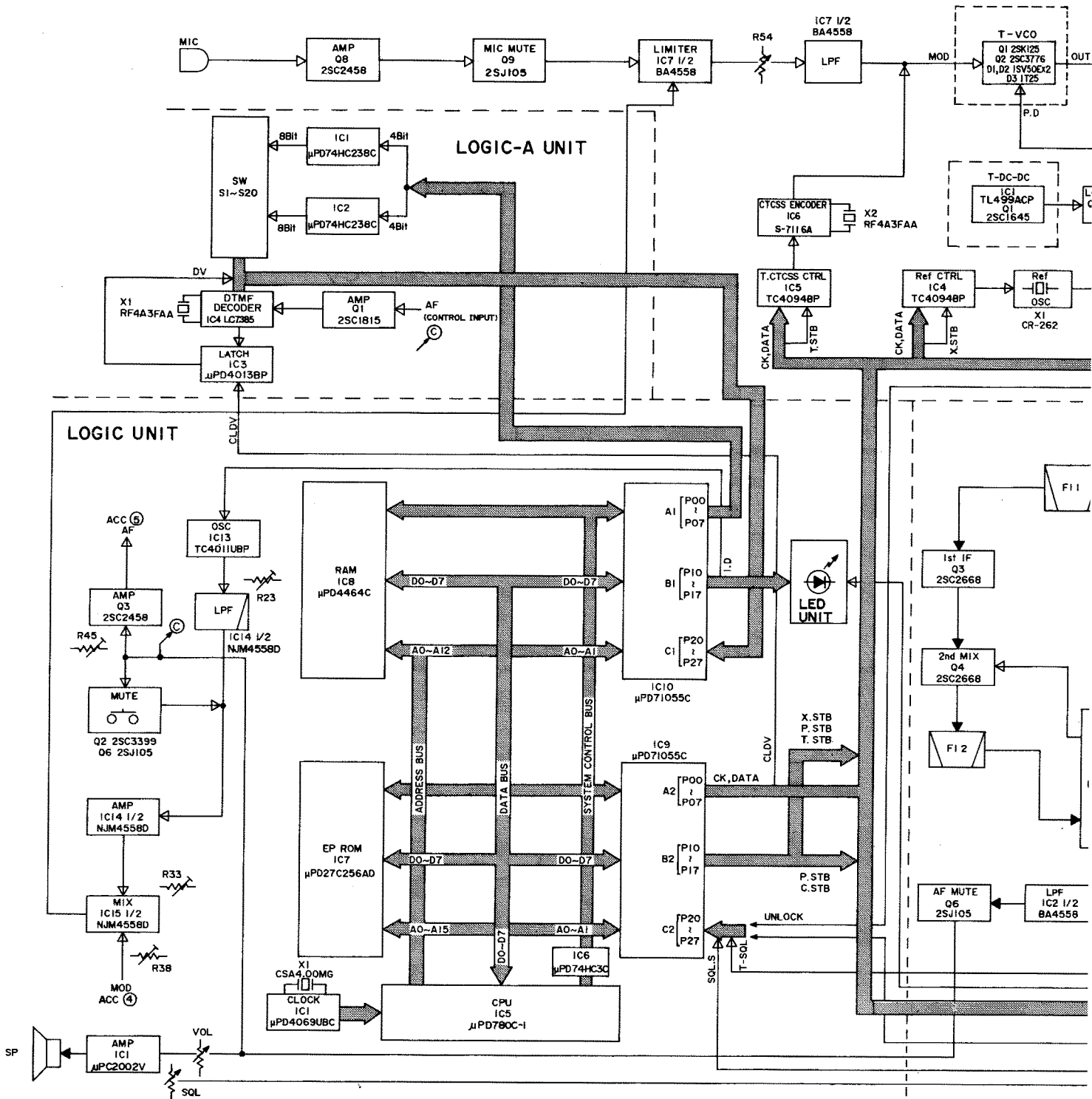
• REG-A UNIT

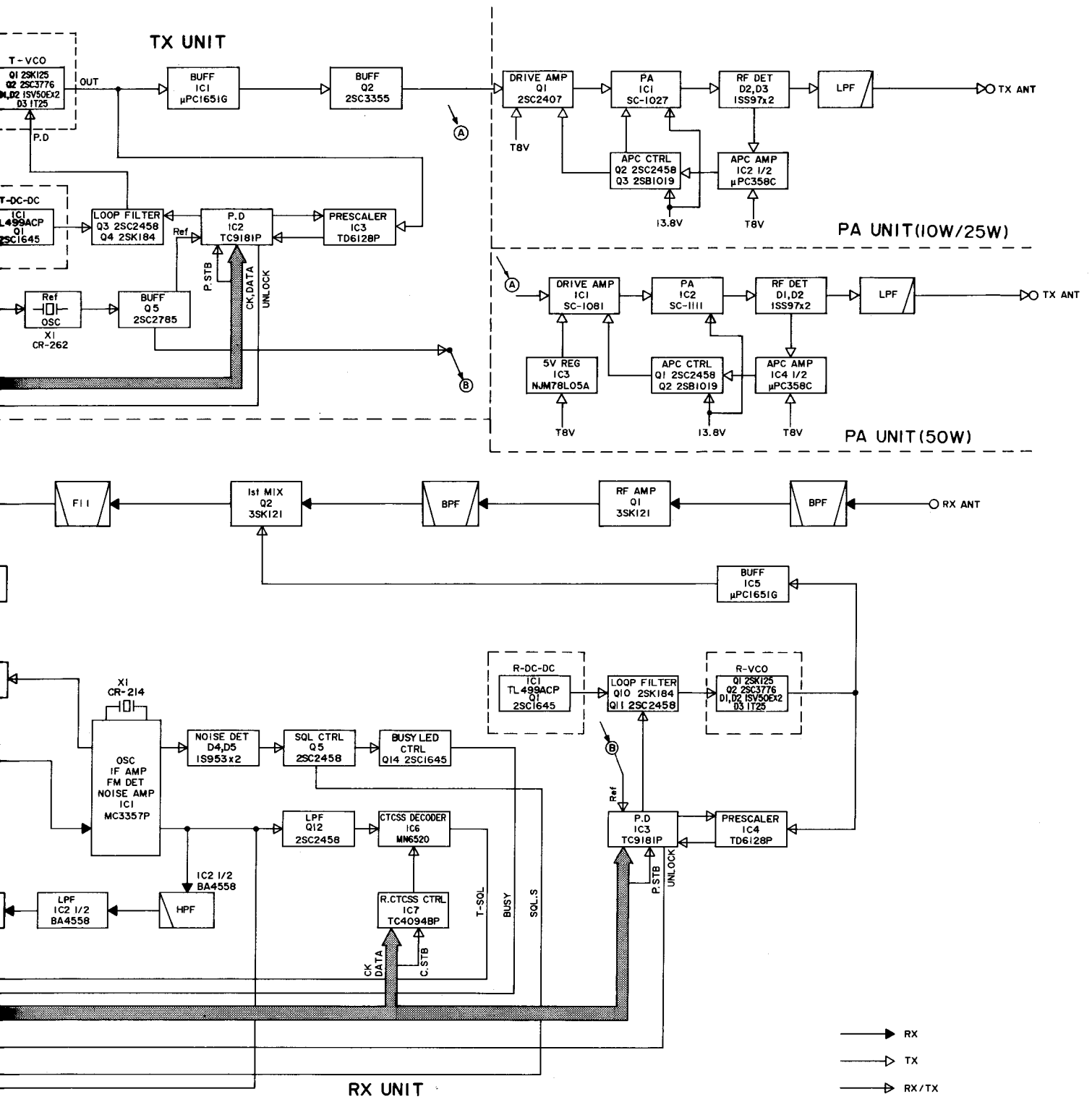


• REG-B UNIT

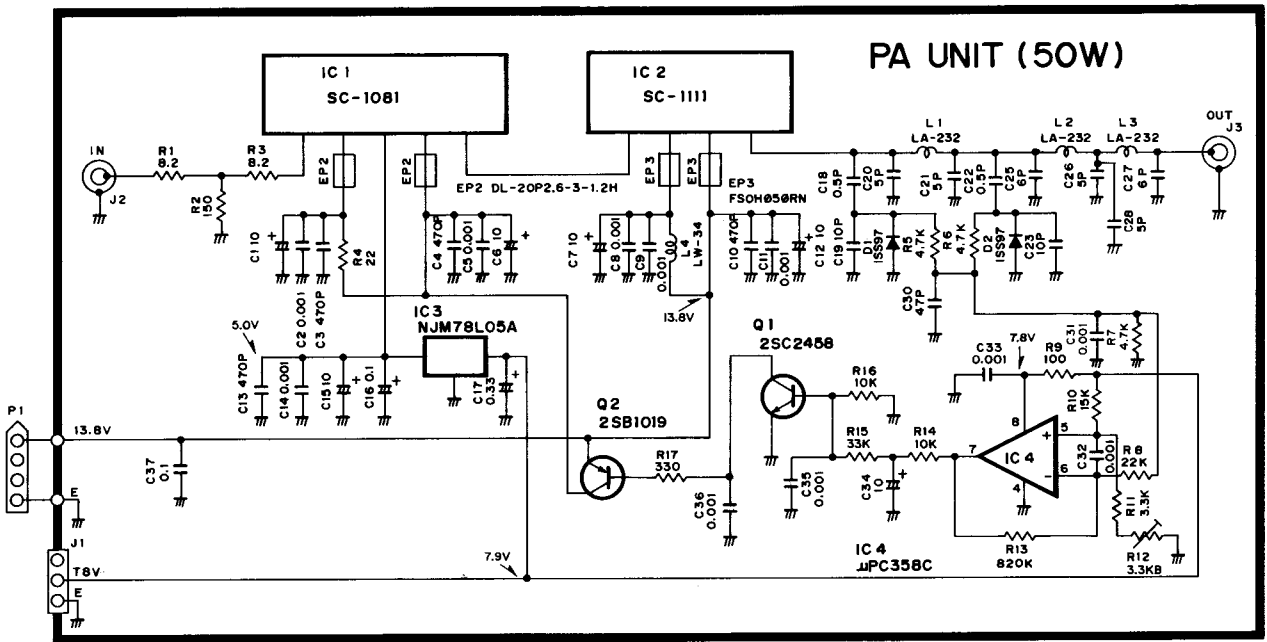
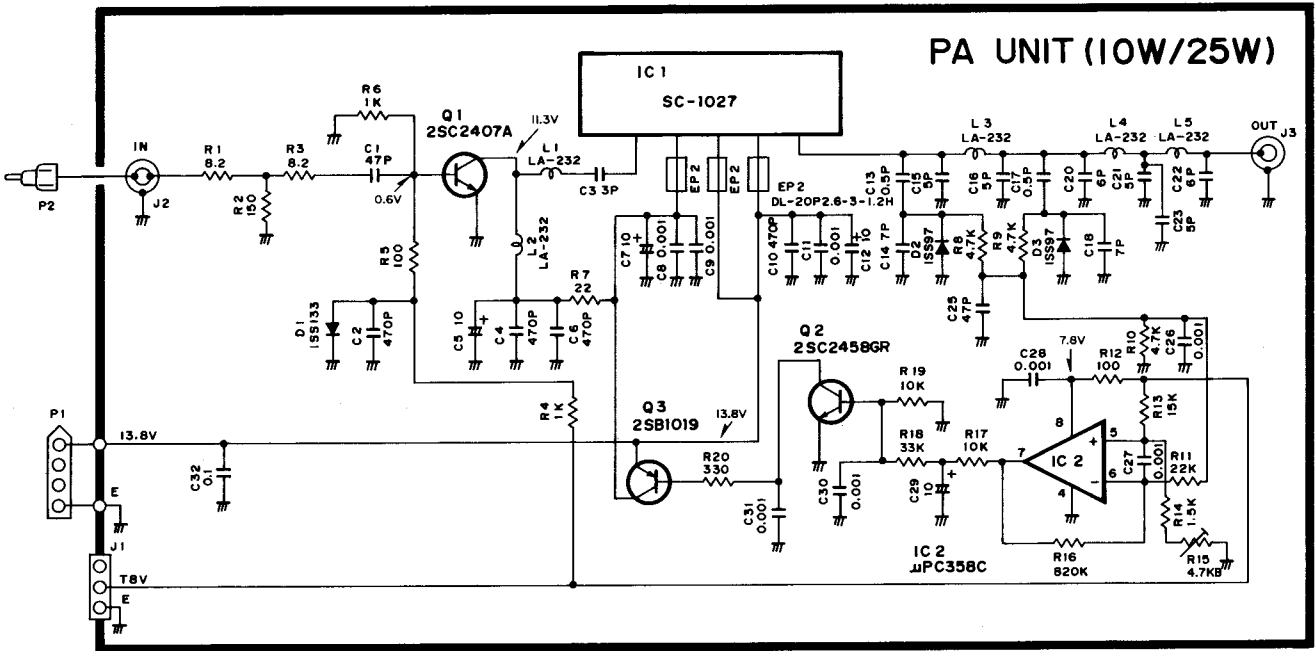


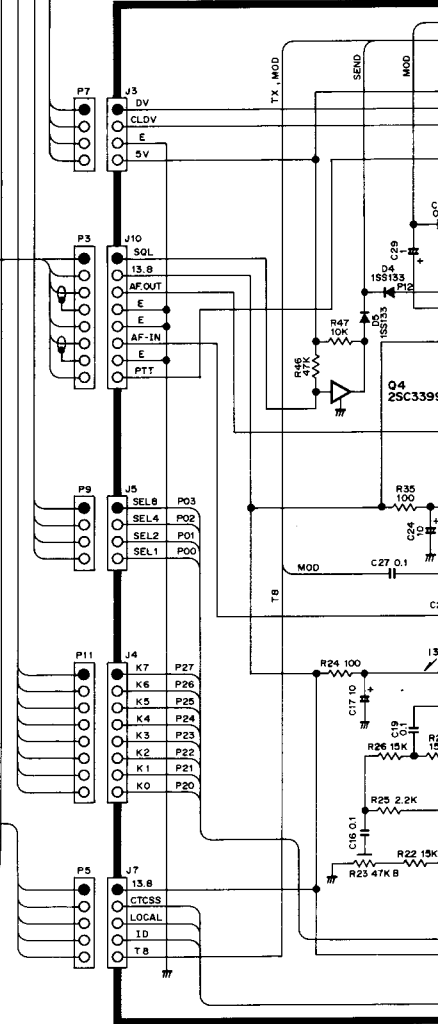
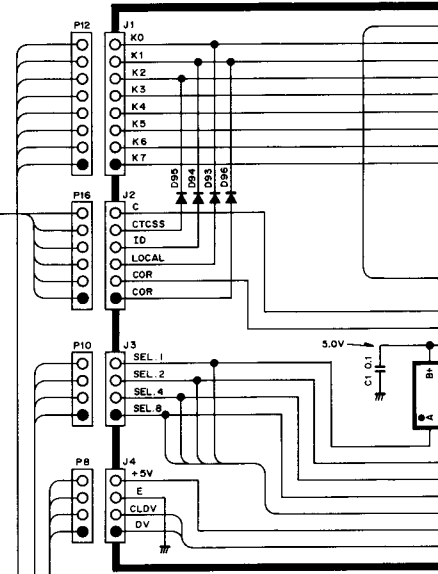
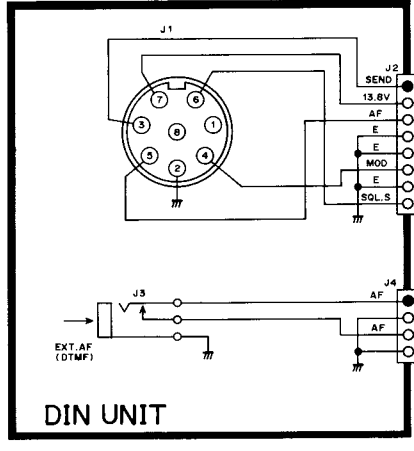
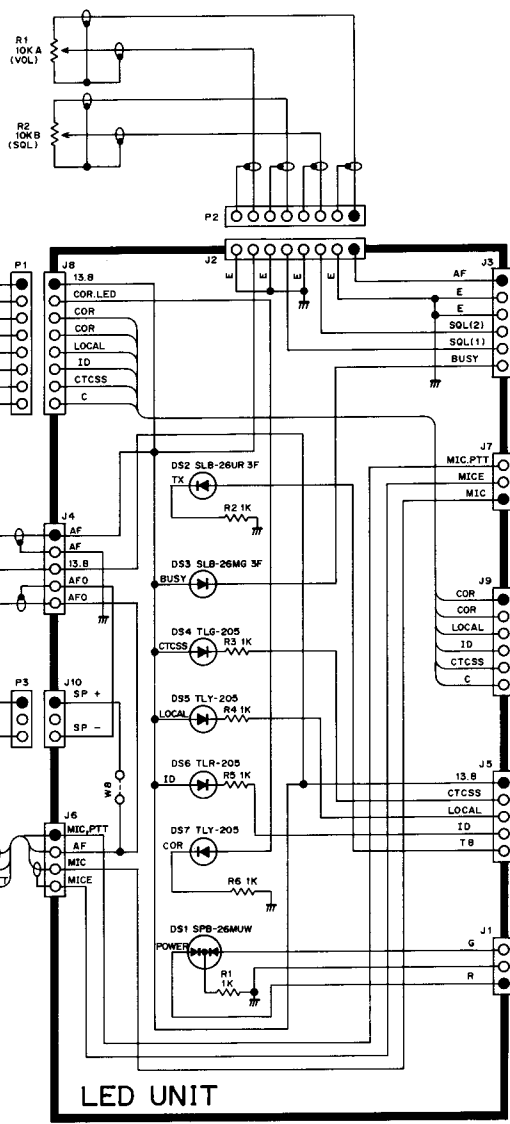
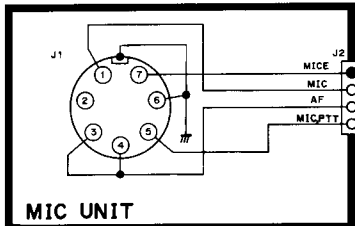
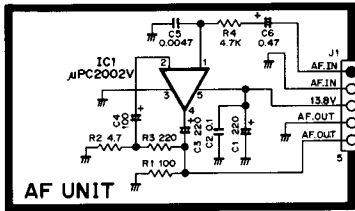
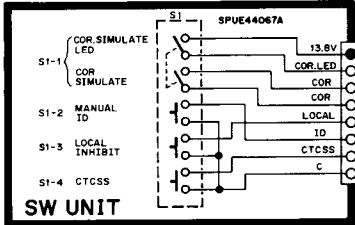
SECTION 8 BLOCK DIAGRAM

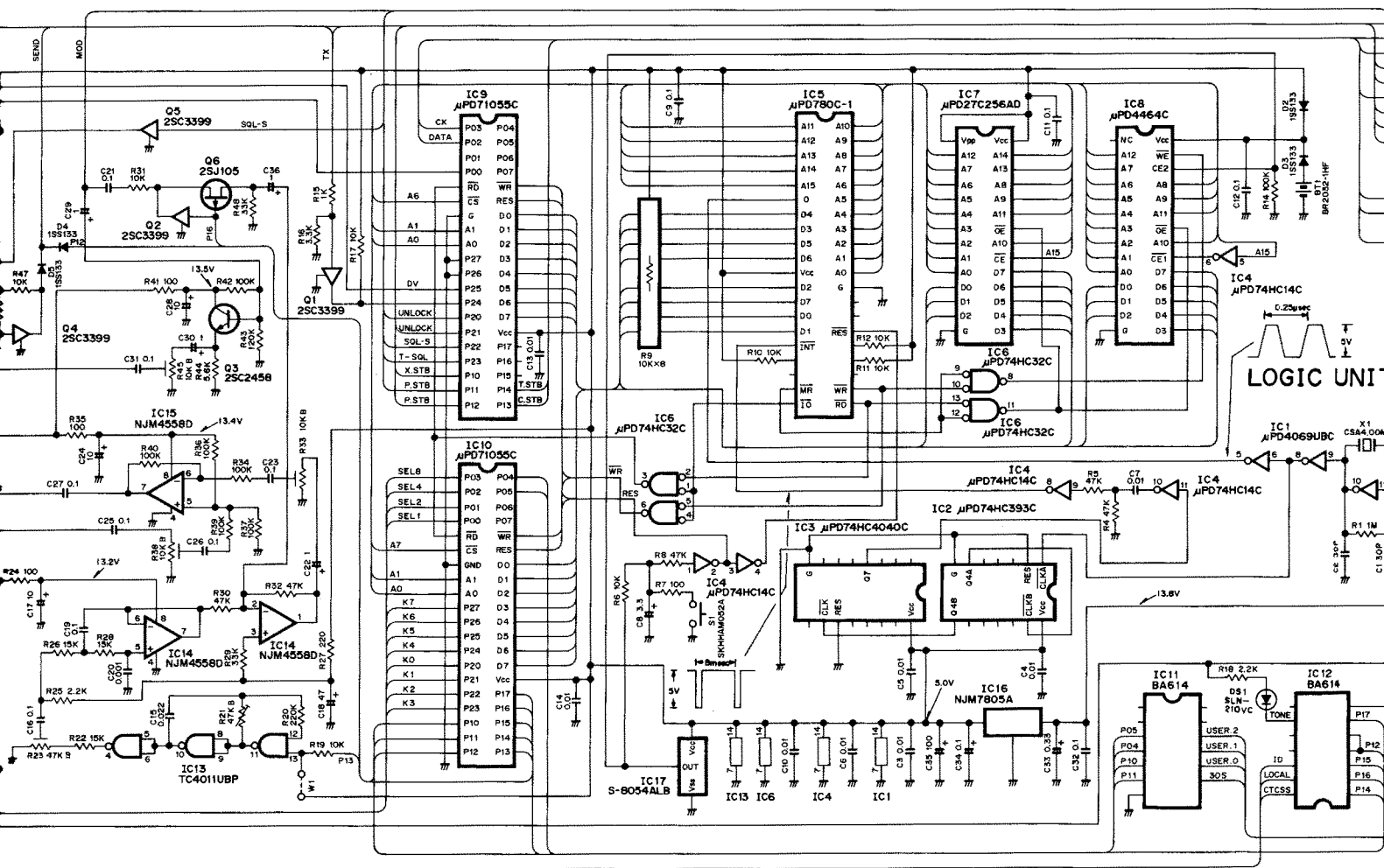
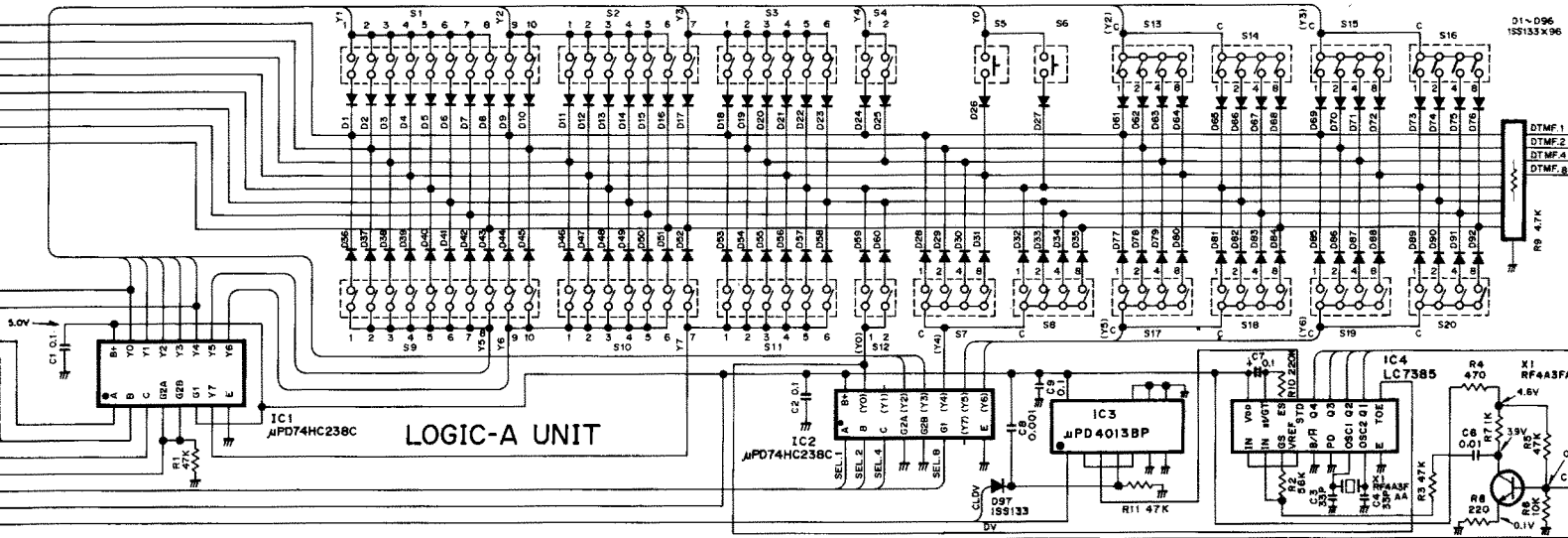


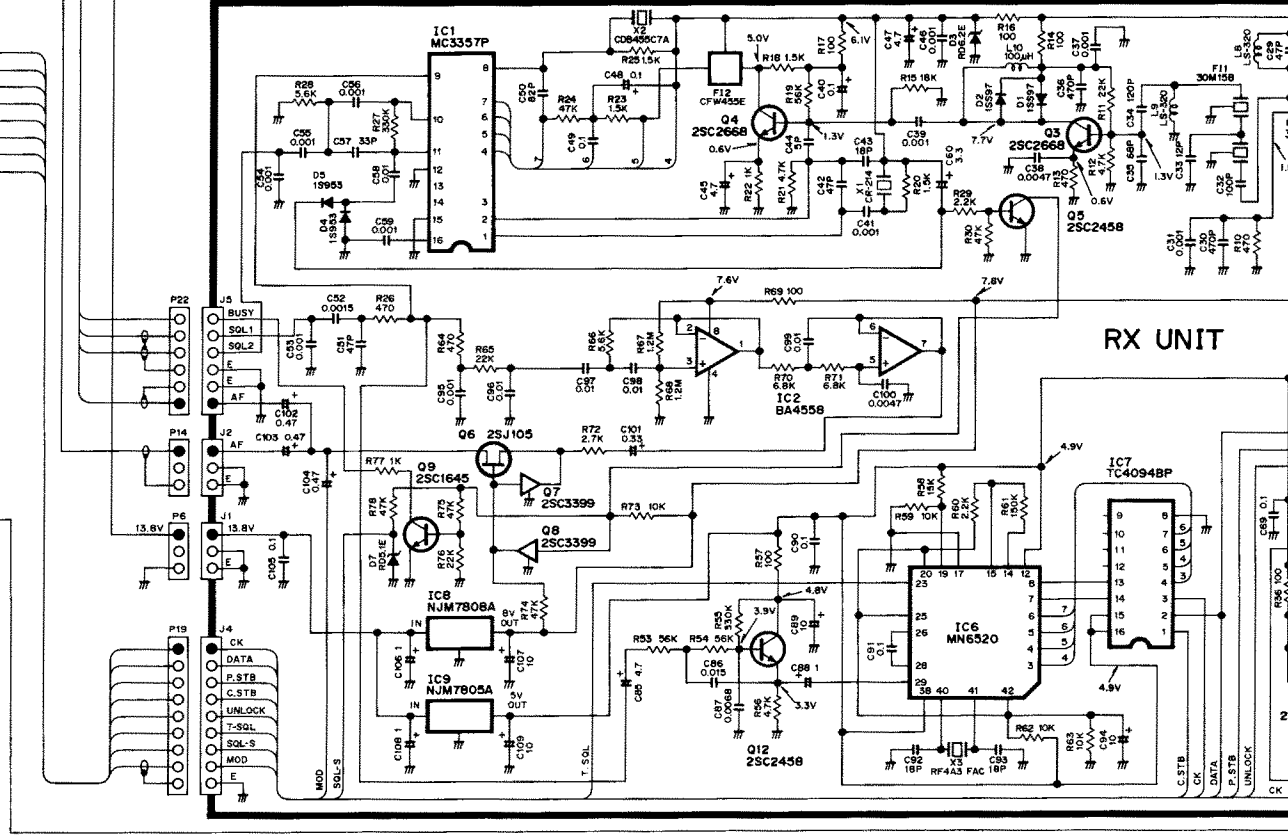
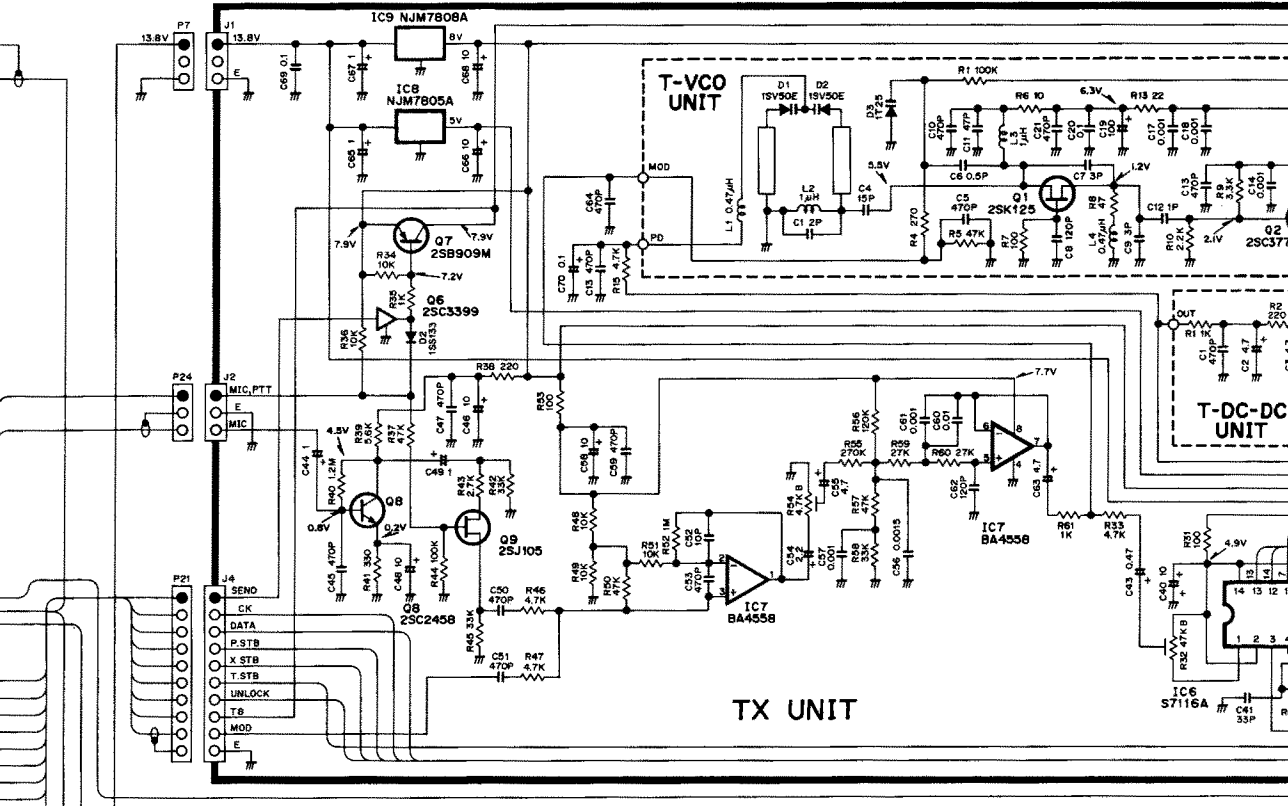
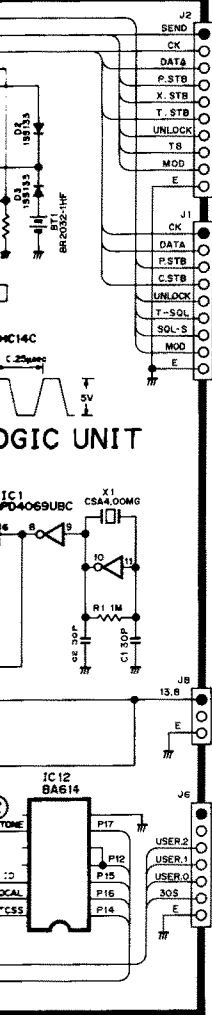
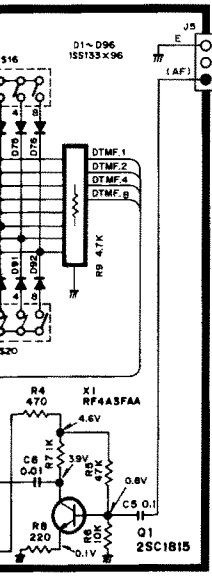


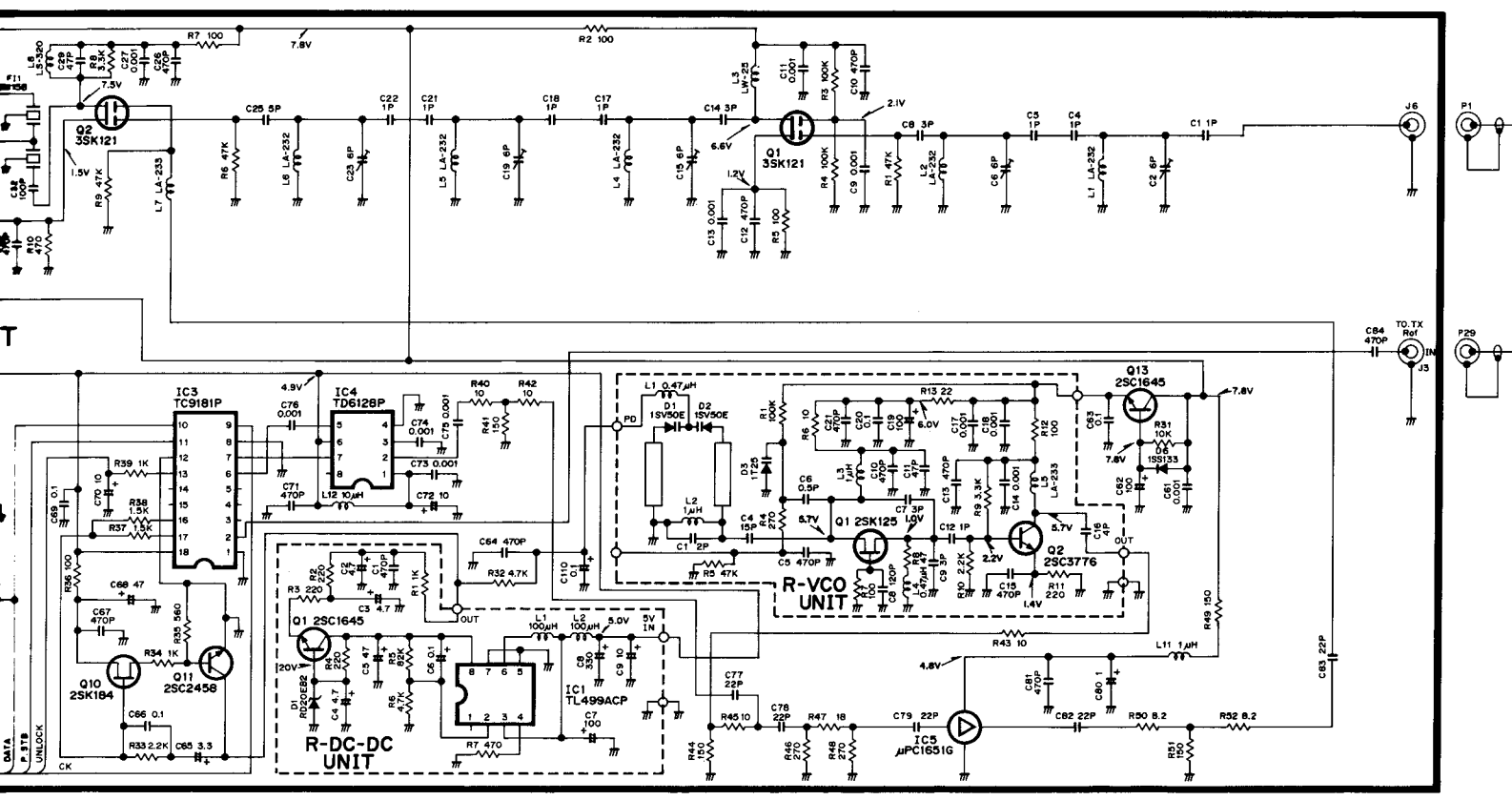
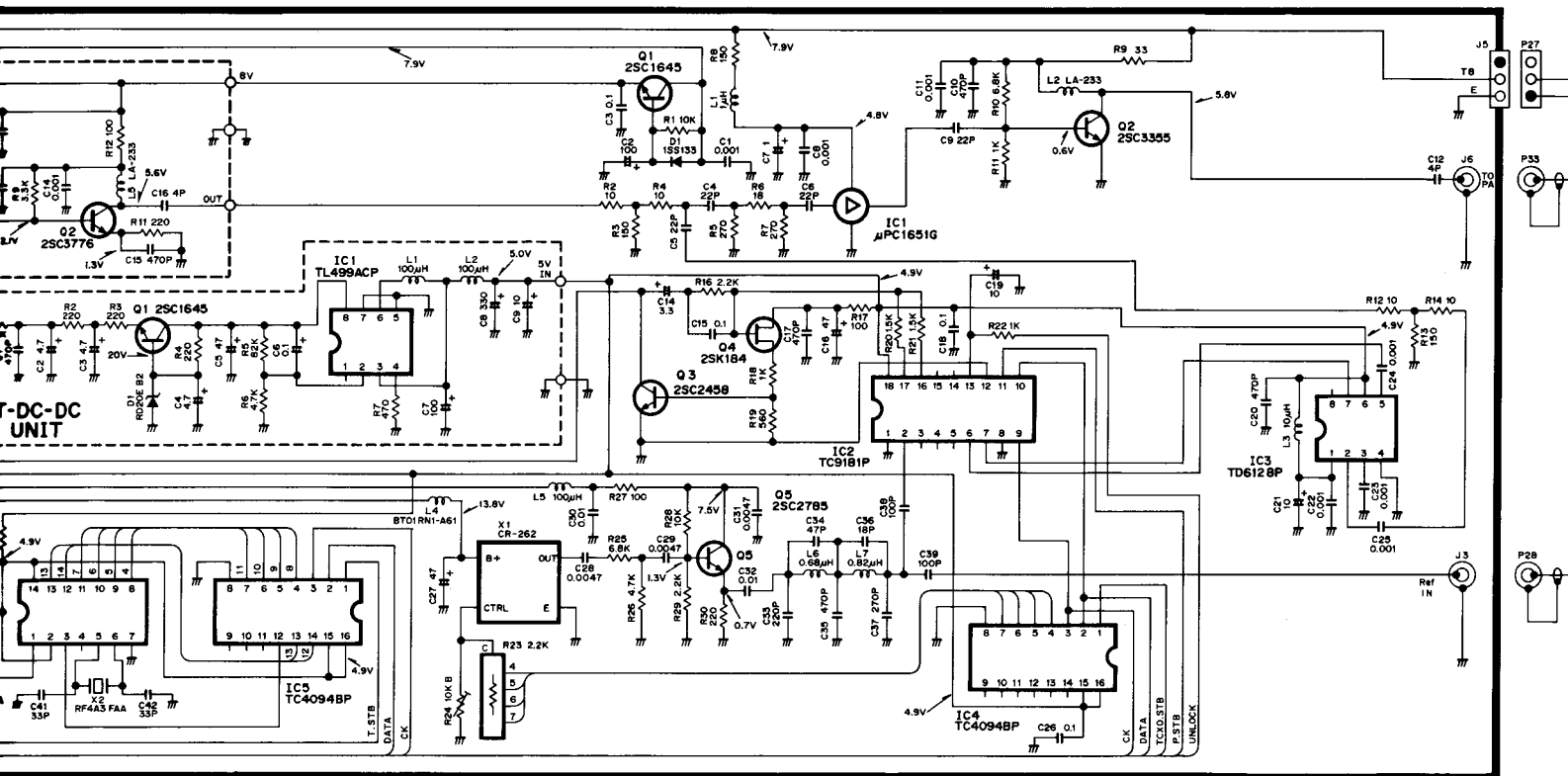
SECTION 9 VOLTAGE DIAGRAM

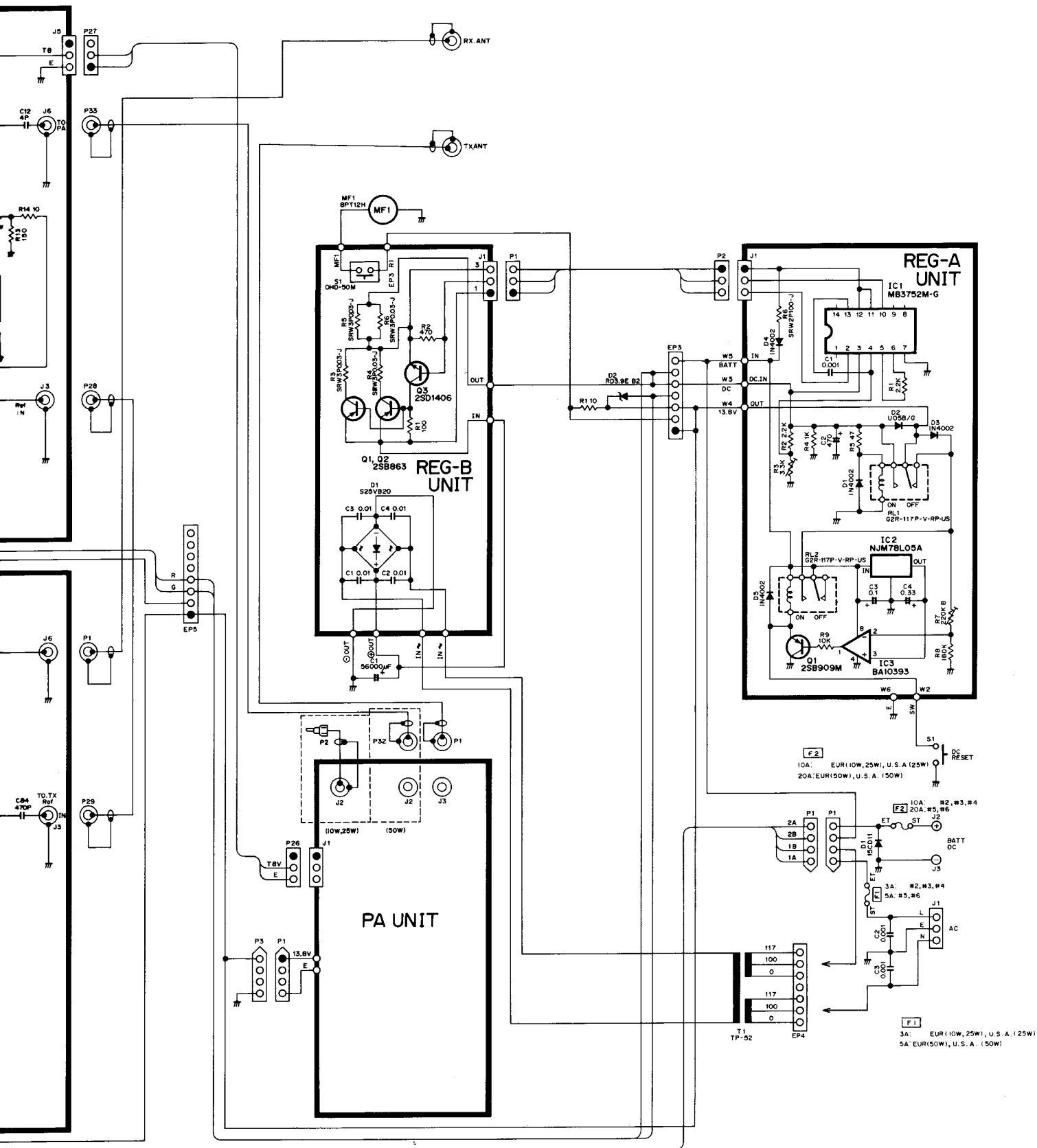












Icom Inc.

6-9-16, Kamihigashi, Hirano-ku, Osaka 547, Japan
Phone: 06 793 5301
Fax : 06 793 0013
Telex : 05277822 ICOMTR J

Icom America Inc.

<Corporate Headquarters>
2380 116th Avenue N.E., Bellevue, WA 98004, U.S.A.
Phone : (206) 454-8155
Fax : (206) 454-1509
Telex : 152210 ICOM AMER BVUE

<Customer Service>
Phone : (206) 454-7619

<Regional Customer Service Centers>
3150 Premier Drive, Suite 126, Irving, TX 75063, U.S.A.
Phone : (214) 550-7525
Fax : (214) 550-7423

1777 Phoenix Parkway, Suite 201, Atlanta, GA 30349, U.S.A.
Phone : (404) 991-6166
Fax : (404) 991-6327

Icom Canada

A Division of Icom America Inc.
3071 #5 Road, Unit 9, Richmond, B.C., V6X 2T4, Canada
Phone : (604) 273-7400
Fax : (604) 273-1900

Icom (Europe) GmbH

Communication Equipment
Himmelgeister Str. 100, 4000 Düsseldorf 1, F.R.G.
Phone : 0211 346047
Fax : 0211 333639
Telex : 8588082 ICOM D

Icom (Australia) Pty. Ltd.

A.C.N 006 092 575
7 Duke Street, Windsor, Victoria, 3181, Australia
Phone : 03 529 7582
Fax : 03 529 8485
Telex : AA 35521 ICOM AS

Icom (UK) Ltd.

Unit 9, Sea St., Herne Bay, Kent, CT6 8LD, U.K.
Phone : 0227 741741
Fax : 0227 360155
Telex : 965179 ICOM G

Icom France Sa

Zac de la Plaine, Rue Brindejont des Moulinais
BP 5804, 31505 Toulouse Cedex, France
Phone : 61. 20. 31. 49 Fax : 61. 34. 05. 91
Telex : 521515 ICOM FRA

Count on us!
