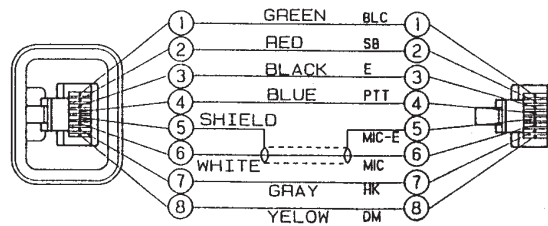
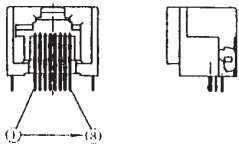
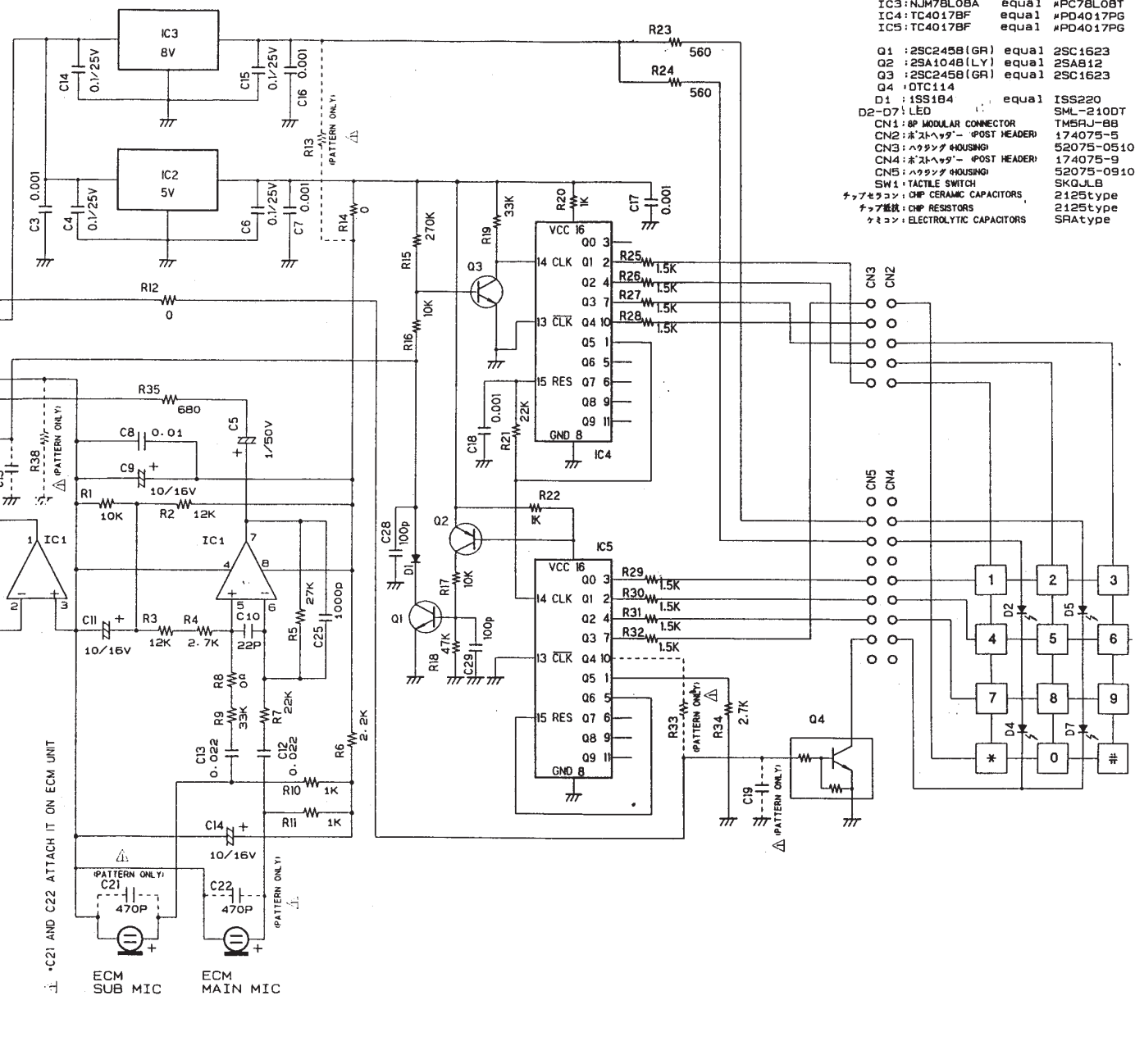
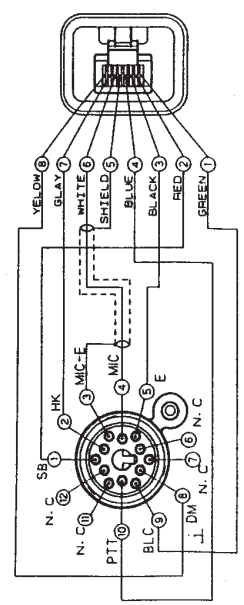
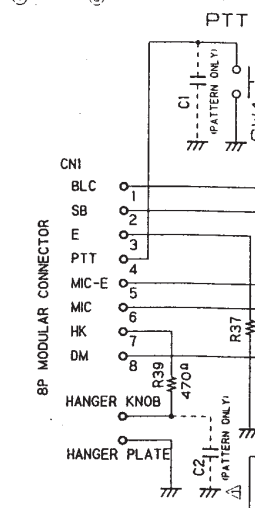
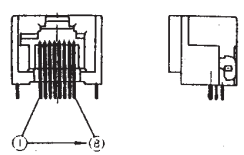


8P MODULAR CONNECTOR  
PIN NO.



IC1: NJM3404  
 IC2: NJM78L05A equal #PC78L05T (NEC)  
 PTT SW TACTILE SWITCH: ALPS SKQJLB equal  
 CHIP CERAMIC CAPACITORS: 2125 type  
 CHIP RESISTORS: 2125 type  
 ELECTROLYTIC CAPACITORS: SRA type (NIPPON CHEMI CON)  
 CN1: 8P MODULAR CONNECTOR TM5RJ-88 (HIROSE)

BP MODULAR CONNECTOR  
PIN NO.



△ \*C21 AND C22 ATTACH IT ON ECM UNIT

ECM SUB MIC  
ECM MAIN MIC

- |                           |       |            |                    |
|---------------------------|-------|------------|--------------------|
| IC1: NJM3404              |       |            |                    |
| IC2: NJM78L05A            | equal | *PC78L05T  | (NEC)              |
| IC3: NJM78L08A            | equal | *PC78L08T  | (NEC)              |
| IC4: TC4017BF             | equal | *PD4017PG  | (NEC)              |
| IC5: TC4017BF             | equal | *PD4017PG  | (NEC)              |
| Q1: 2SC2458(GR)           | equal | 2SC1623    | (NEC)              |
| Q2: 2SA1048(LY)           | equal | 2SA812     | (NEC)              |
| Q3: 2SC2458(GR)           | equal | 2SC1623    | (NEC)              |
| Q4: DTC114                |       |            | (ROHM)             |
| D1: 1SS184                | equal | 1SS220     | (NEC)              |
| D2-D7: LED                |       | SML-2100T  | (ROHM)             |
| CN1: BP MODULAR CONNECTOR |       | TMSRJ-8B   | (HIROSE)           |
| CN2: 8ピンヘッダ               |       | 174075-5   | (AMP)              |
| CN3: ハウジング                |       | 52075-0510 | (MOLEX)            |
| CN4: 8ピンヘッダ               |       | 174075-9   | (AMP)              |
| CN5: ハウジング                |       | 52075-0910 | (MOLEX)            |
| SW1: TACTILE SWITCH       |       | SKQJLB     | (ALPS)             |
| チップコンデンサ                  |       | 2125ttype  | (KCC)              |
| チップ抵抗                     |       | 2125ttype  | (ROHM)             |
| ケミコン                      |       | 5RAtype    | (NIPPON CHEMI CON) |