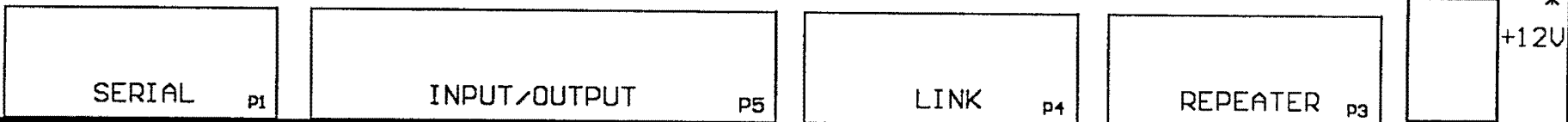
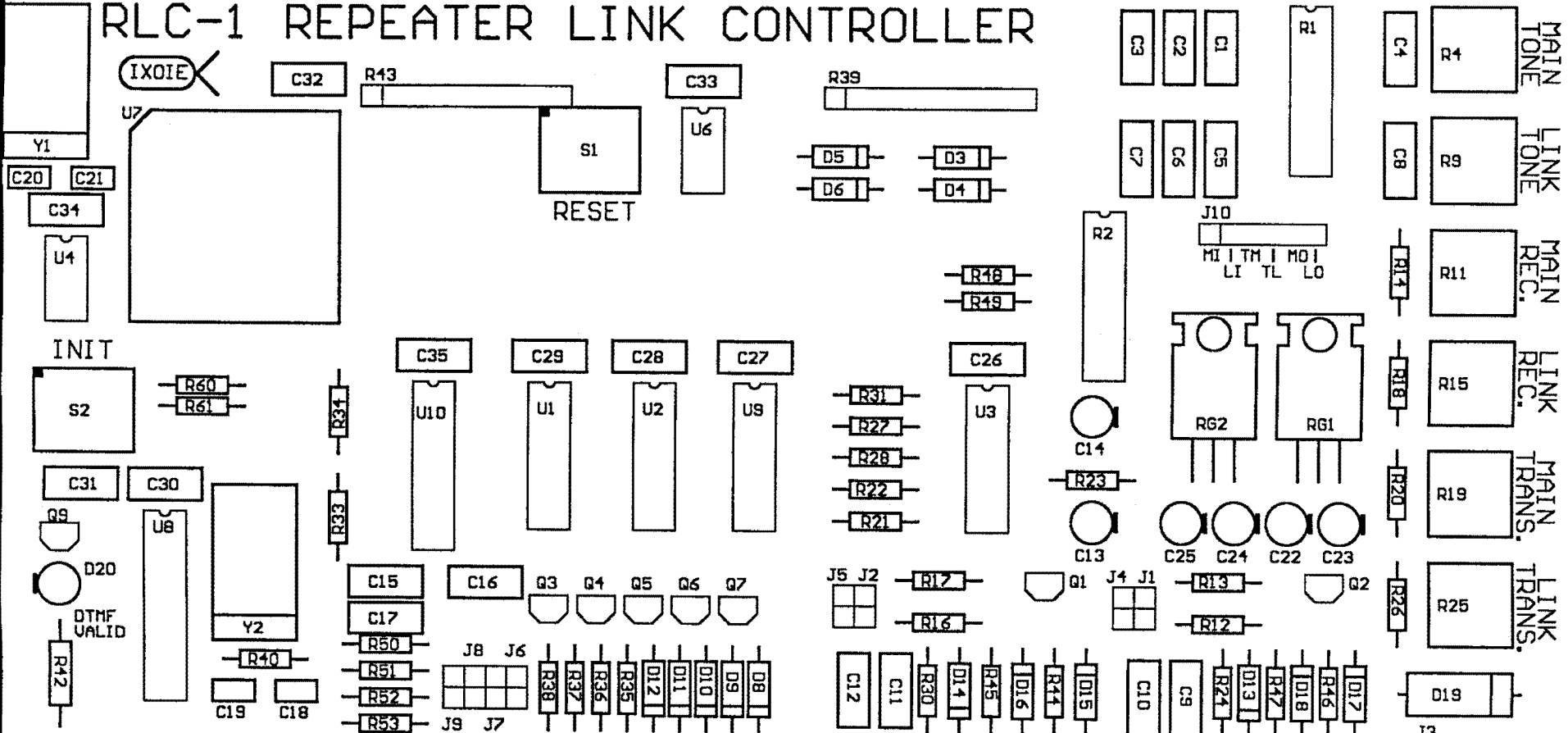


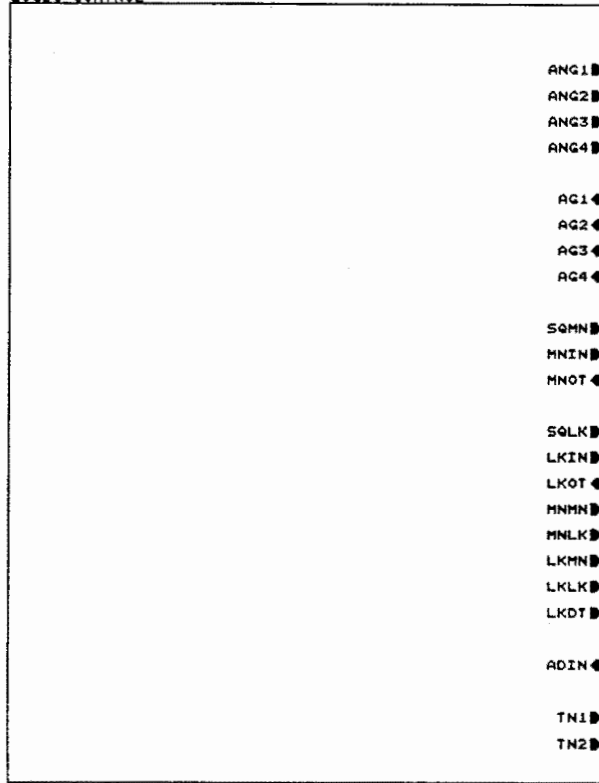
LINK COMMUNICATIONS COPYRIGHT 1993

RLC-1 REPEATER LINK CONTROLLER

REVISION A

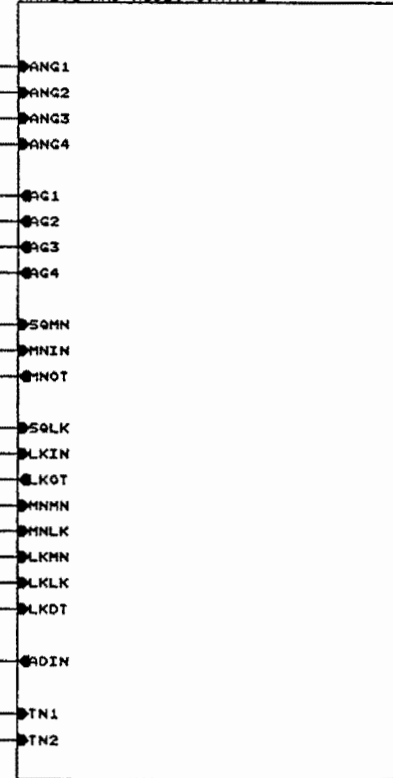


LOGIC CONTROL



NEWCONT1.SCH

ANALOG AND AUDIO CONTROL



NEWCONT2.SCH

LINK COMMUNICATIONS RLC-1 DIAGRAM CONNECTION SCHEMATIC

