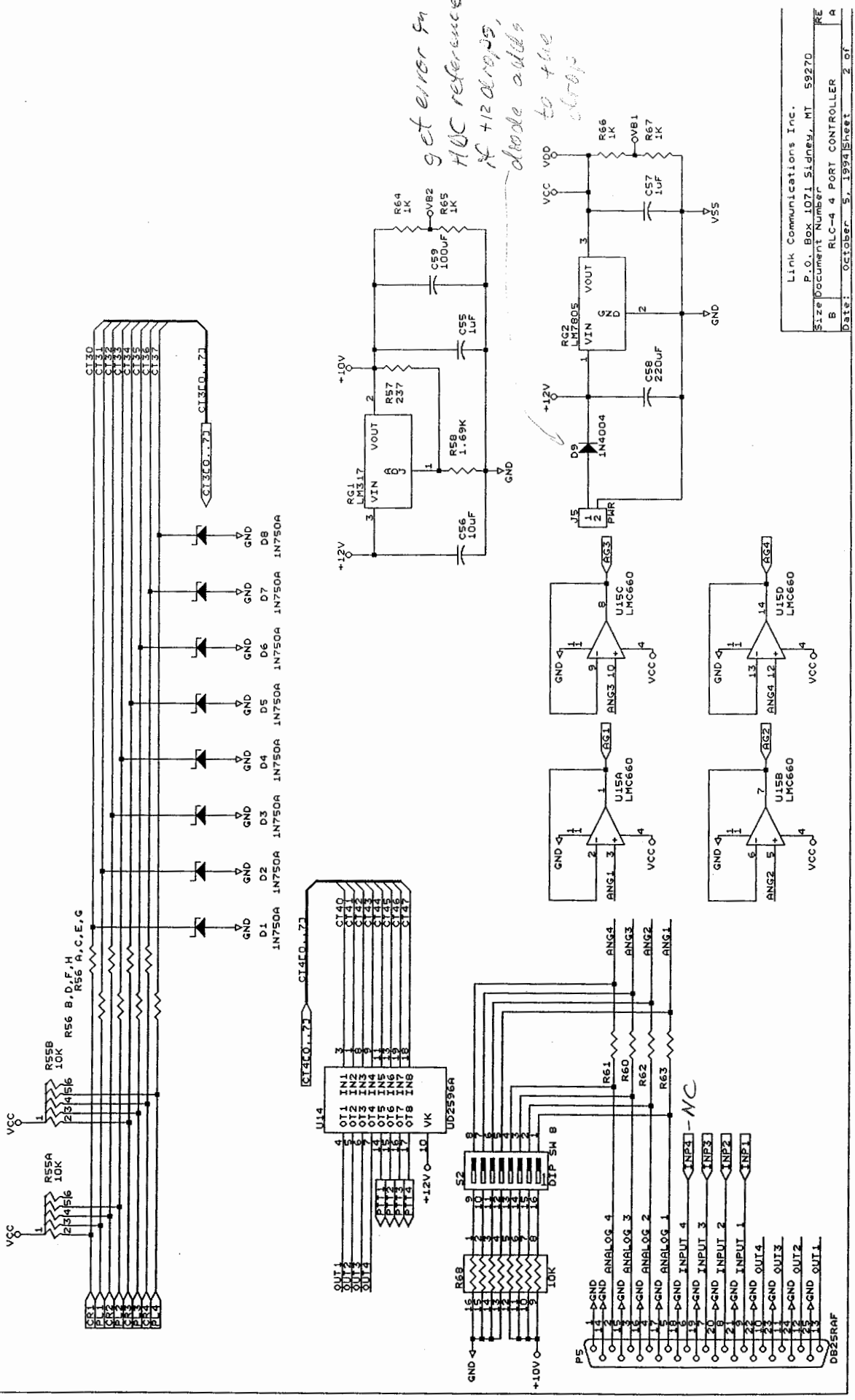


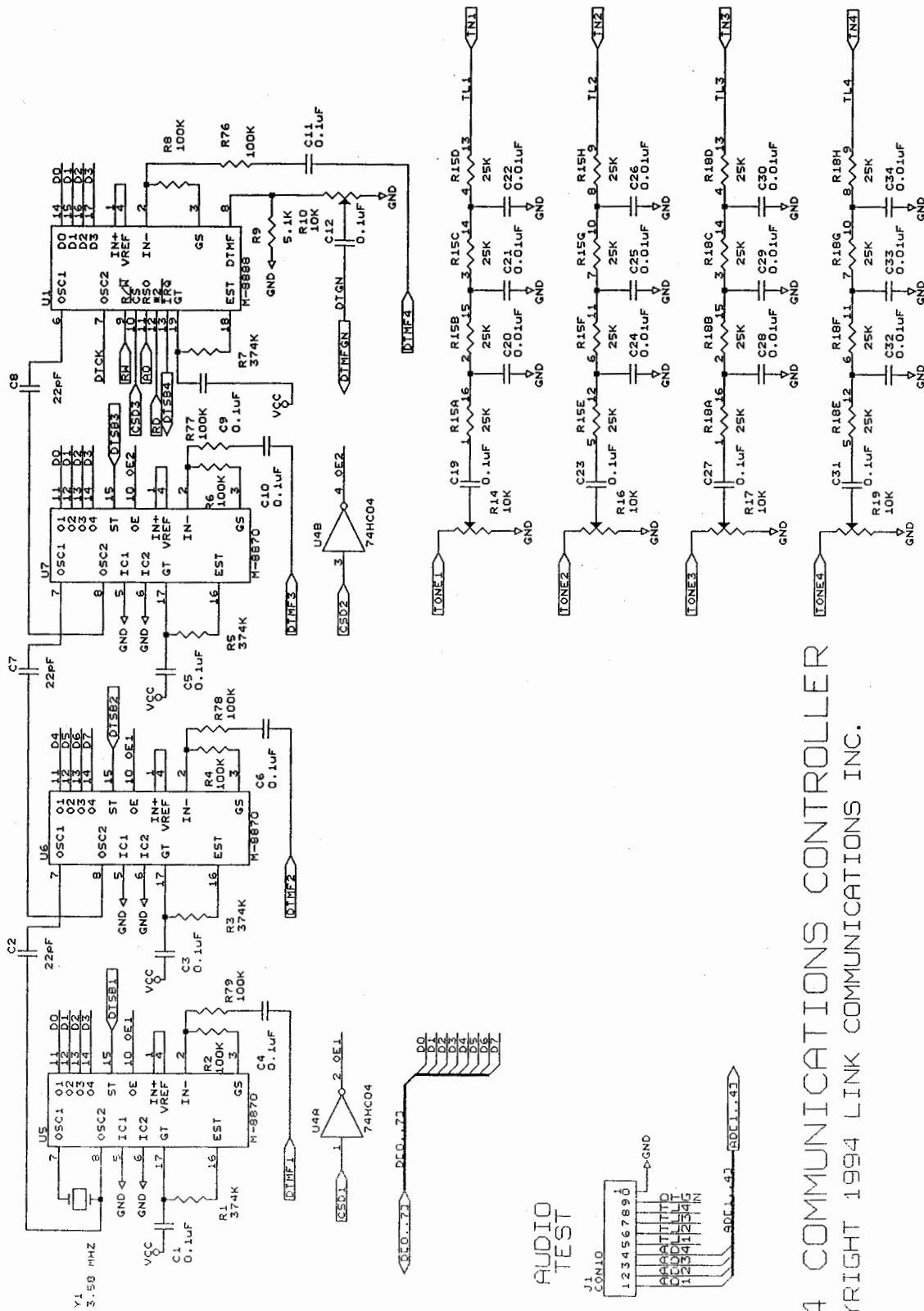
Ports last showed 47k

Older Controllers were built with R55 (cor pullyp) of 47k rather than 10k per Roy Foster.

COR/P/L INPUTS

RLC-4 COMMUNICATIONS CONTROLLER

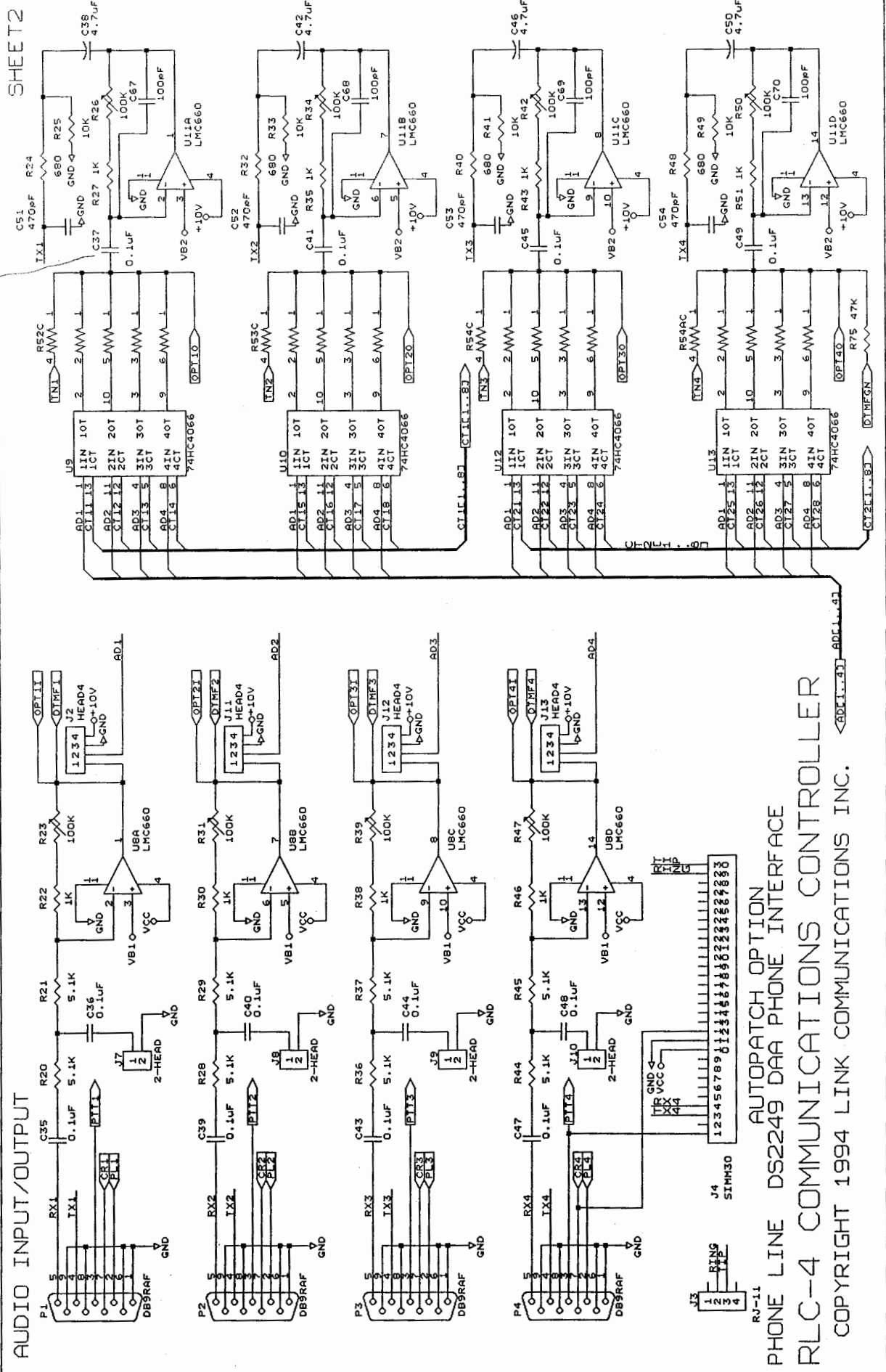




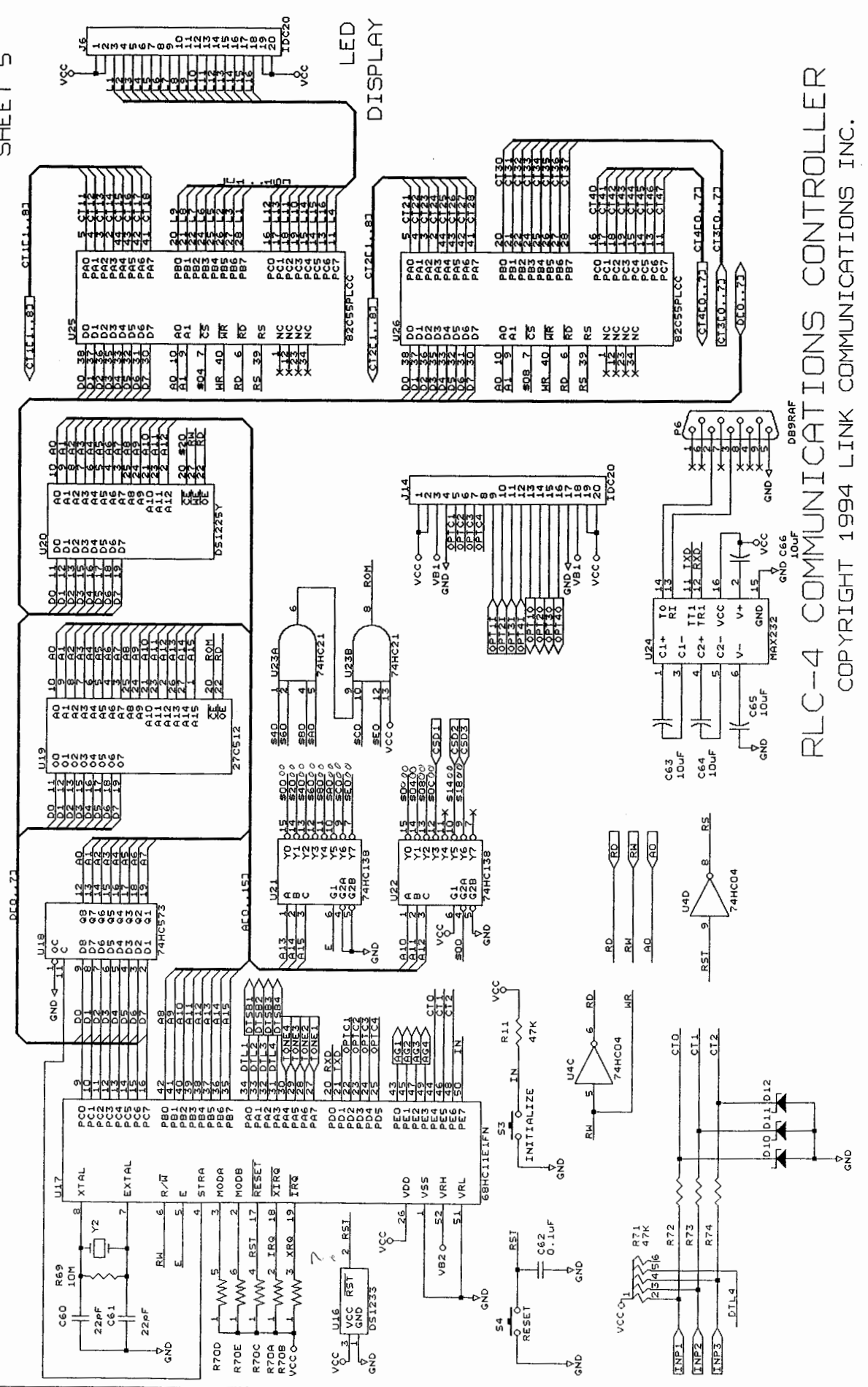
RLC-4 COMMUNICATIONS CONTROLLER
 COPYRIGHT 1994 LINK COMMUNICATIONS INC.

Changing C35 + C37 lets it pass down to 60 Hz or so

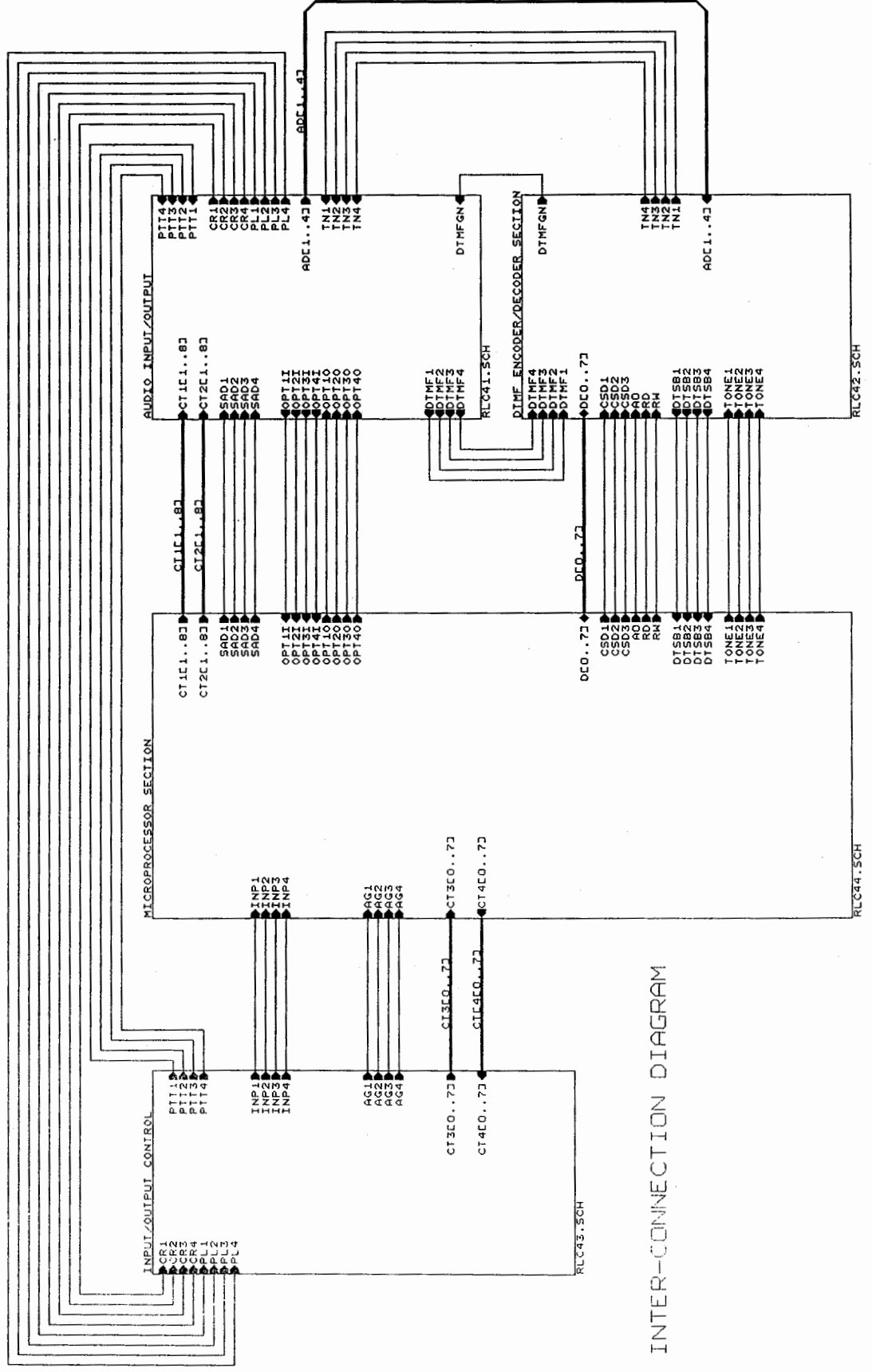
→ knee gets higher when turn more ports on, needed to change bias voltage



AUTOPATCH OPTION
PHONE LINE DS2249 DAA PHONE INTERFACE
RLC-4 COMMUNICATIONS CONTROLLER
COPYRIGHT 1994 LINK COMMUNICATIONS INC.

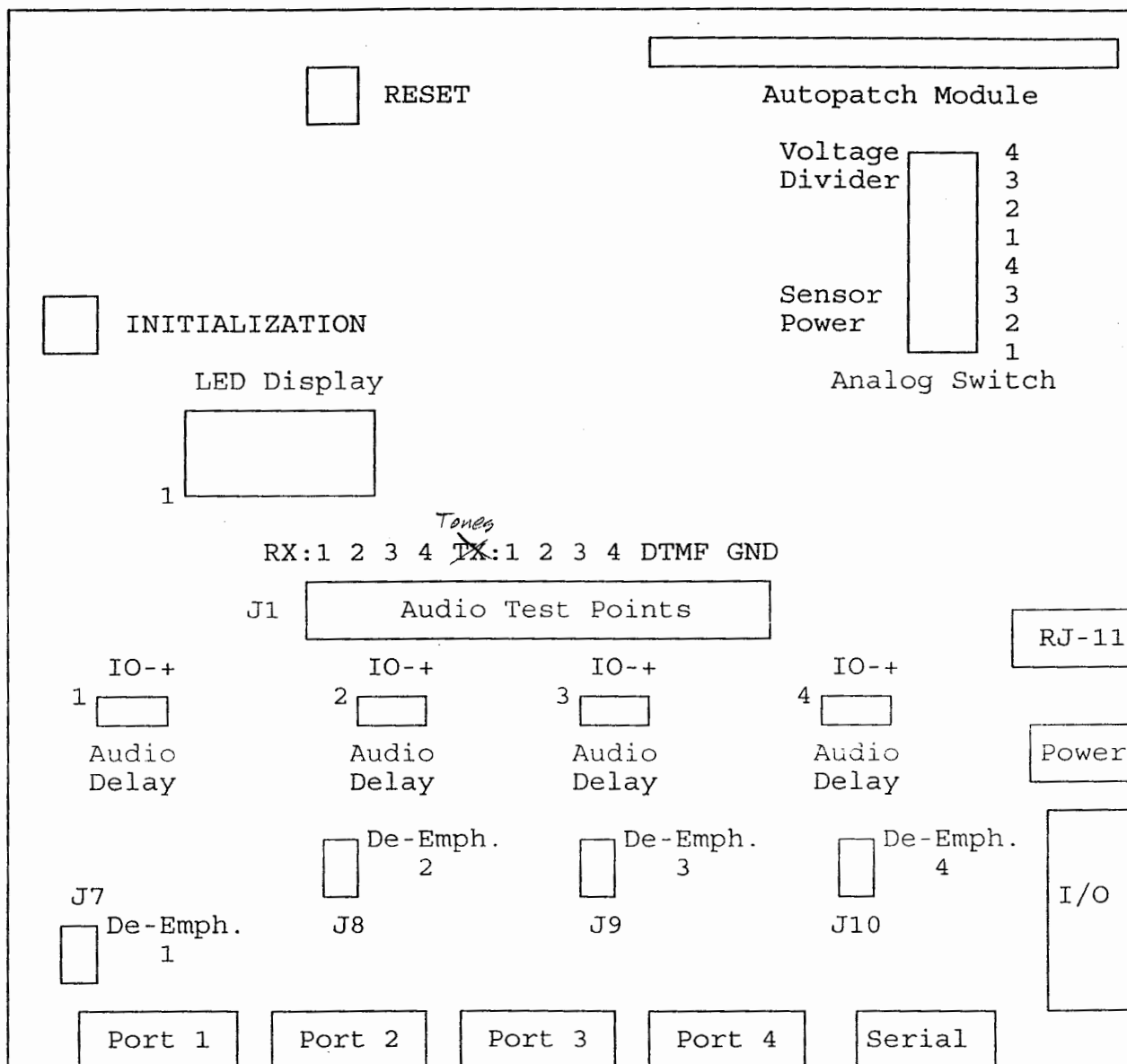


RLC-4 COMMUNICATIONS CONTROLLER
 COPYRIGHT 1994 LINK COMMUNICATIONS INC.



INTER-CONNECTION DIAGRAM

MAIN BOARD IMPORTANT CONNECTIONS



RLC-4 Controller

Adjustments:

Test Bus:

J1 test bus is provided to allow you to look at the different audio sources used on the controller.

Initialize and Reset switches:

These switches are provided to allow the manual resetting and initialization of the controller. See Appendix E for instructions about how to perform the initialization.