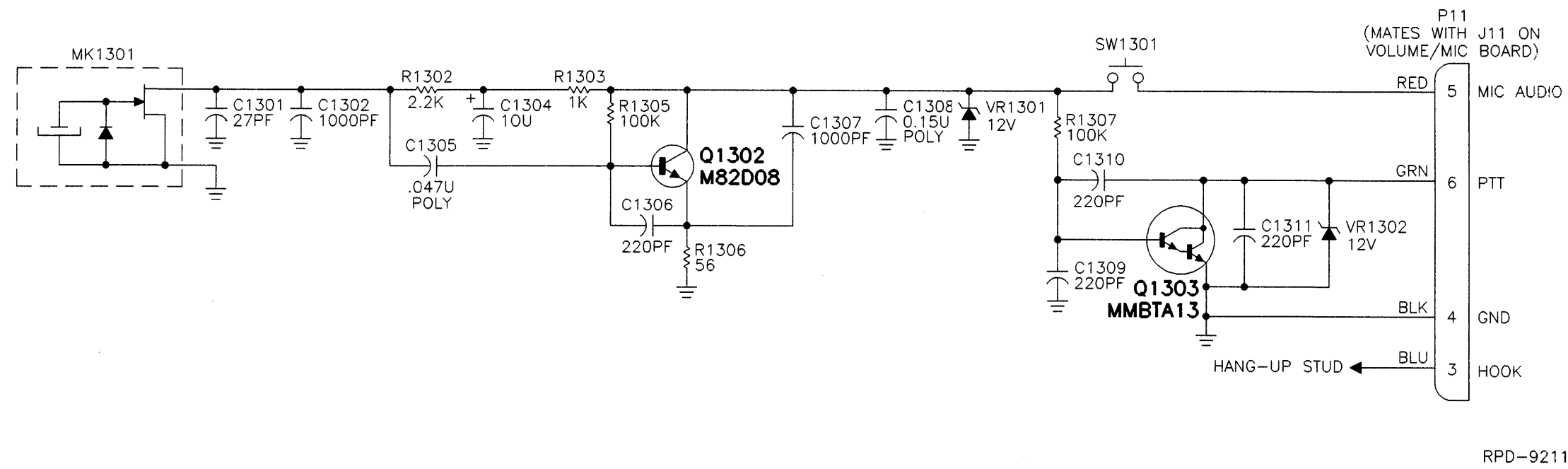


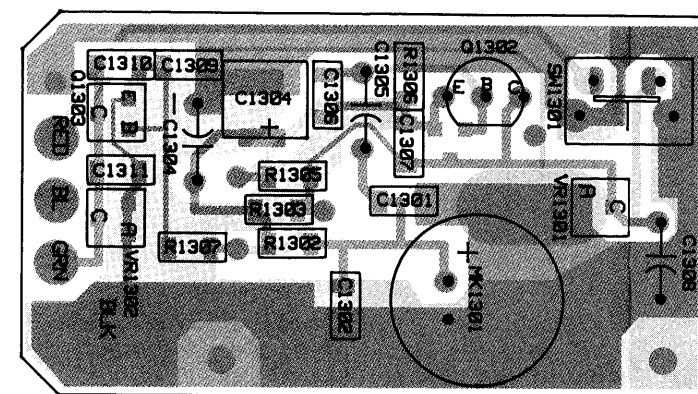
parts list

HMN3596A: MICROPHONE EXPLODED VIEW PARTS LIST (part of HMN3413A)

| REF SYMBOL | MOTOROLA PART NUMBER | DESCRIPTION | QTY. USED |
|------------|----------------------|--------------------------|-----------|
| 1 | 15-80566B02 | FRONT HOUSING | 1 |
| 2 | 32-80565B01 | GASKET, MICROPHONE | 1 |
| 3 | 41-80150R01 | SPRING | 1 |
| 4 | 38-80568B01 | PTT BUTTON | 1 |
| 5 | 01-80704Y99 | REAR HOUSING RIVETED | 1 |
| 6 | 03-11994A23 | SCREWS 5-20 x 7/8 | 3 |
| 7 | 30-80978Z03 | COIL CORD, MICROPHONE | 1 |
| 8 | 35-80132R01 | FELT, BAFFLE, MICROPHONE | 1 |
| 9 | 05-80149R01 | GROMMET, MIC. | 1 |
| 10 | 75-80983Z02 | RUBBER SPACER, SWITCH | 1 |



RPD-92117-0



COMPONENT SIDE
SOLDER SIDE

SHOWN FROM COMPONENT SIDE

01-80704Y98 Microphone Board
(Used in HMN3596A Microphone)

| REFERENCE NUMBER | MOTOROLA PART NO. | DESCRIPTION |
|--|-------------------|------------------------|
| Capacitors, chip, 5%, 50V unless otherwise indicated | | |
| C1301 | 21-13740B35 | 27 pF |
| C1302 | 21-13740B73 | 1000 pF |
| C1304 | 23-11049J27 | tantalum 10 uF 10% 25V |
| C1305 | 08-11051A11 | poly .047 uF 63V |
| C1306 | 21-13740B57 | 220 pF |
| C1307 | 21-13740B73 | 1000 pF |
| C1308 | 08-11051A14 | poly .15 uF 63V |
| C1309 | 21-13740B57 | 220 pF |
| C1310 | 21-13740B57 | 220 pF |
| C1311 | 21-13740B57 | 220 pF |

Microphone

| | | |
|--------|-------------|--------------------|
| MK1301 | 50-80258E04 | cartridge electret |
|--------|-------------|--------------------|

Transistors (see note)

| | | |
|-------|-------------|-------------------|
| Q1302 | 48-80182D08 | NPN; type M8208 |
| Q1303 | 48-05128M19 | NPN; type MMBTA13 |

Resistors, chip, 5%, 1/8 watt

| | | |
|-------|-------------|------|
| R1302 | 06-11077A82 | 2.2k |
| R1303 | 06-11077A74 | 1k |
| R1305 | 06-11077B23 | 100k |
| R1306 | 06-11077A44 | 56 |
| R1307 | 06-11077B23 | 100k |

Switch

| | | |
|--------|-------------|----------------------|
| SW1301 | 40-80164S01 | momentary pushbutton |
|--------|-------------|----------------------|

Voltage regulators (see note)

| | | |
|--------|-------------|------------------------|
| VR1301 | 48-80140L17 | zener diode 12V 5% SOT |
| VR1302 | 48-80140L17 | zener diode 12V 5% SOT |

Note: For optimum performance, diodes, transistors, and integrated circuits must be ordered by Motorola part numbers.

3/12/92

PL-921020-O