

J5 (RX)

"RX" PTT
EMERGENCY SW

REPEATER SETUP/KNOCKDOWN
(HOM PUSHBUTTON)

EXT ALARM

REMOTE SETUP/
KNOCKDOWN ENABLE

PROG I/O

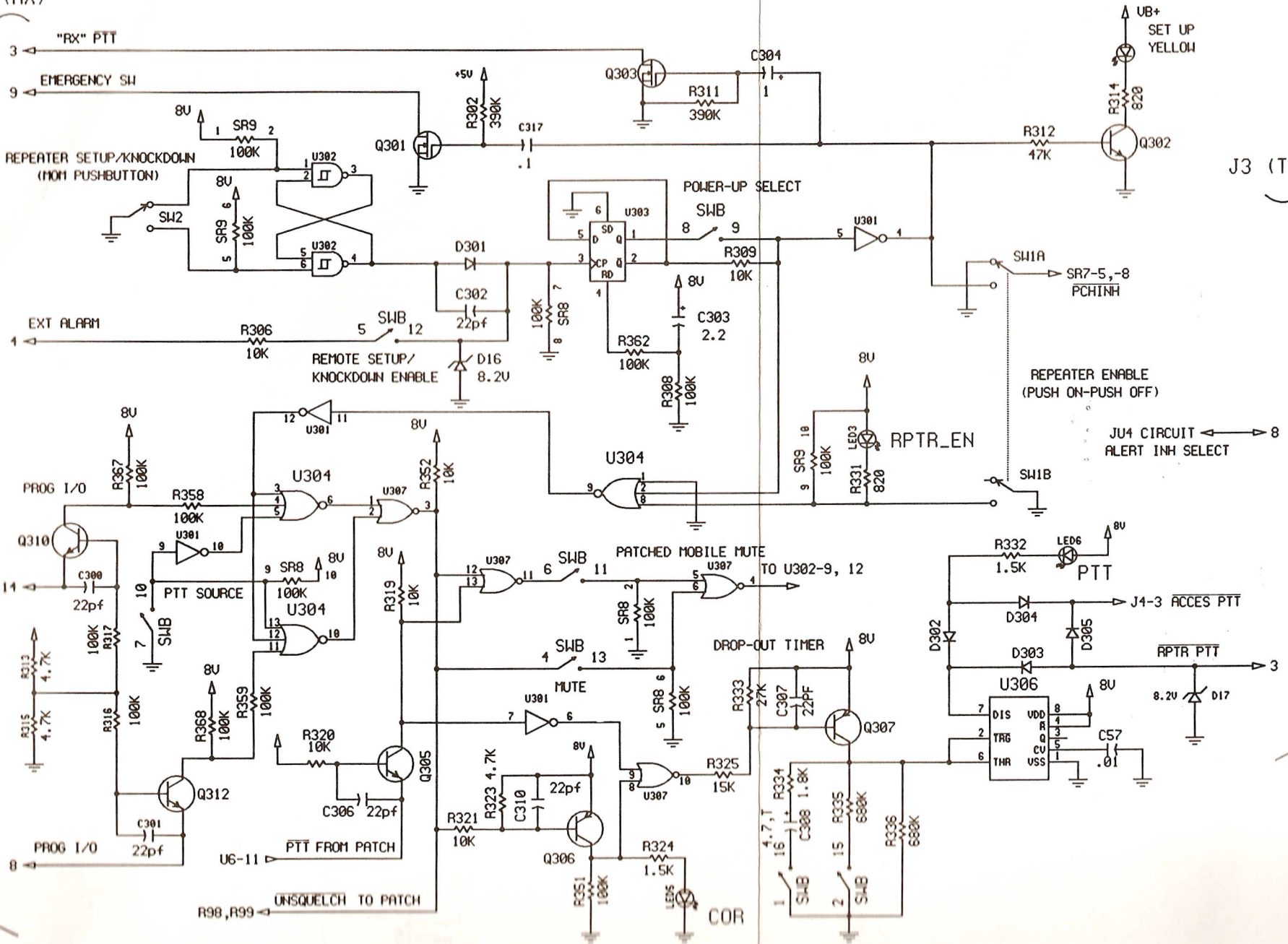
PTT SOURCE

PATCHED MOBILE MUTE

DROP-OUT TIMER

PROG I/O

UNSQLCH TO PATCH



UB+
SET UP
YELLOW

J3 (TX)

REPEATER ENABLE
(PUSH ON-PUSH OFF)

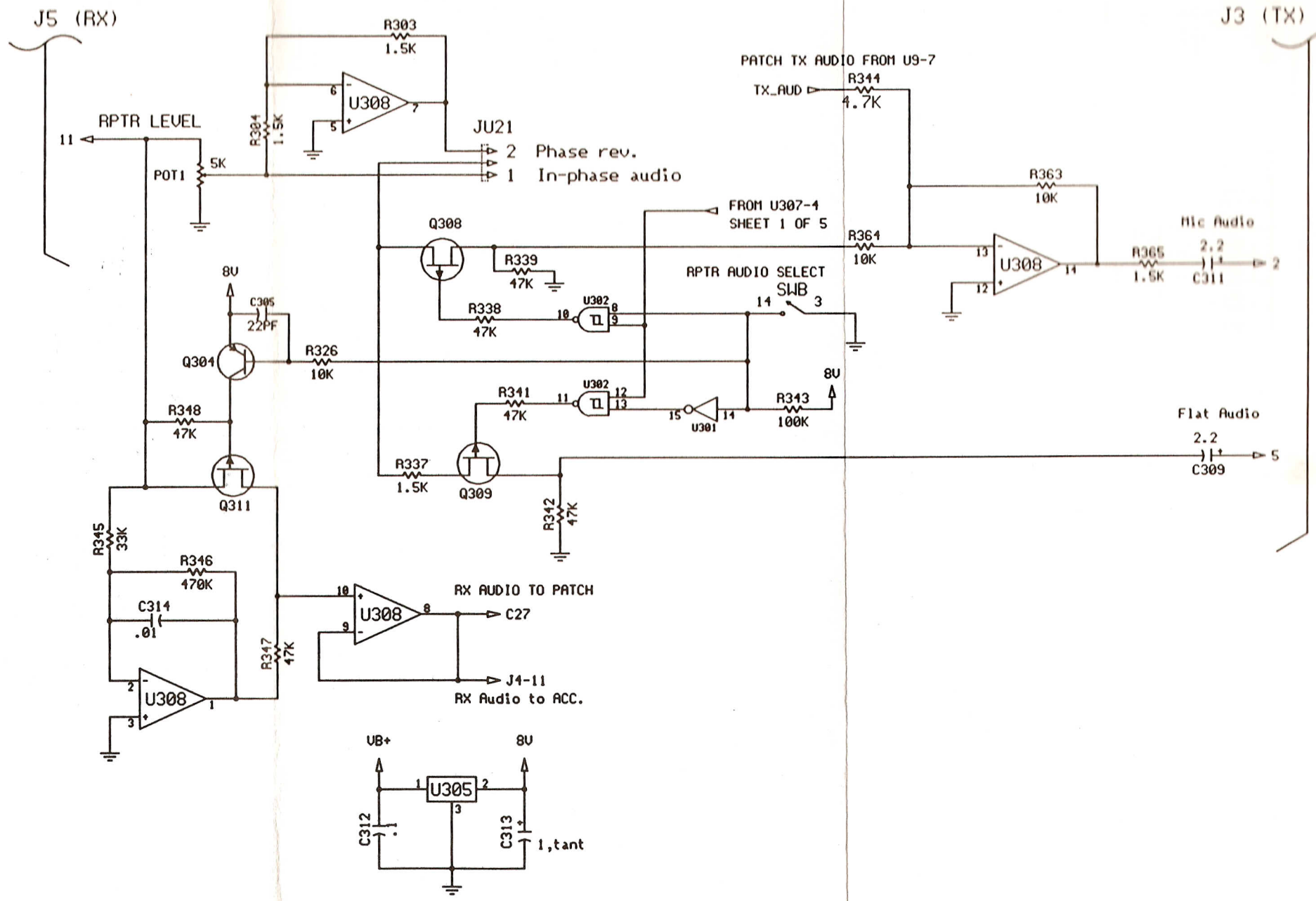
JU4 CIRCUIT
ALERT INH SELECT

PTT

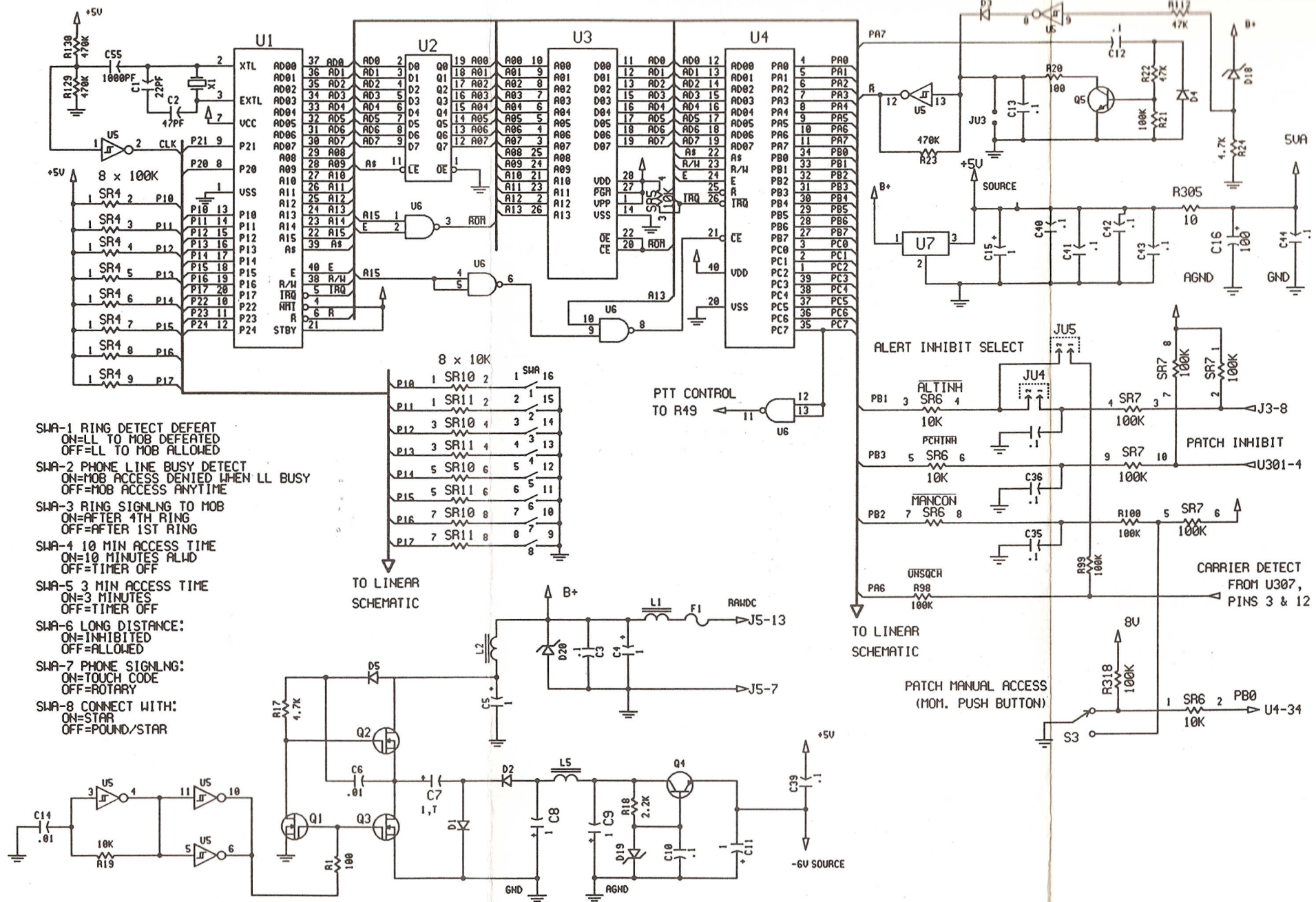
J4-3 ACCES PTT

RPTR PTT

COR



Schematic Diagrams for i50R Basic Interconnect Controller, Repeater Audio Paths (Sheet 2 of 5)



Schematic Diagrams for i50R Basic
Interconnect Controller, Power Supply and Digital Section
(Sheet 3 of 5)

ACCESSORIES
(CMD)

