



**GENERAL**

This revision outlines changes that have occurred to the MaxTrac 300 since the printing of your instruction manual. The additional information expands the affected Service Manual to include a 99-mode Low Band MaxTrac 300 radio. Use this information to update your instruction manual.

**INSTRUCTION MANUAL AFFECTED**

68P80102W84-O MaxTrac Two-Way Radio Service Manual

**REVISION DETAILS**

1. A 99-mode MaxTrac 300 Low Band radio model is now available as model number ACD51MJA9HA5AK. This radio operates in the range 3 Low Band frequency range (42-50 MHz). The circuitry used by this radio is identical to the existing 32-mode MaxTrac 300 operating in the same frequency range, with the following exceptions:
  - a) The HLN9313A Expanded Accessory Connector Logic Board kit is modified slightly to create a new 99-mode capable Logic Board, VLN5442A. Essentially, a new 8k x 8 EEPROM is added in place of the existing 2k EEPROM to allow for the expanded radio features. The specific modifications are detailed in Figures 1 and 2 below. For servicing information on the remaining circuitry of the radio, refer to the referenced Service Manual.

Reference Symbol	Action	Motorola Part No.	Description
U805	installed	5180902W01	EEPROM 8k x 8
JU802	removed	0611077A01	chip jumper - EEPROM address
JU803	installed	0611077A01	chip jumper - EEPROM address
JU804	removed	0611077A01	chip jumper - EEPROM address
JU805	installed	0611077A01	chip jumper - EEPROM address

*Figure 1 Logic Board Modifications for VLN5442A*

- b) A new ROM kit, VLN5443A, is required to store the modified radio firmware. (This device is referenced as U804 on the Logic Board schematic.)
- c) A new Radio Service Software kit is required to program the additional modes and features; order either VVN4167A (5 ¼" disks) or VVN4168A (3 ½" disks) for installation on your IBM PC™ computer.

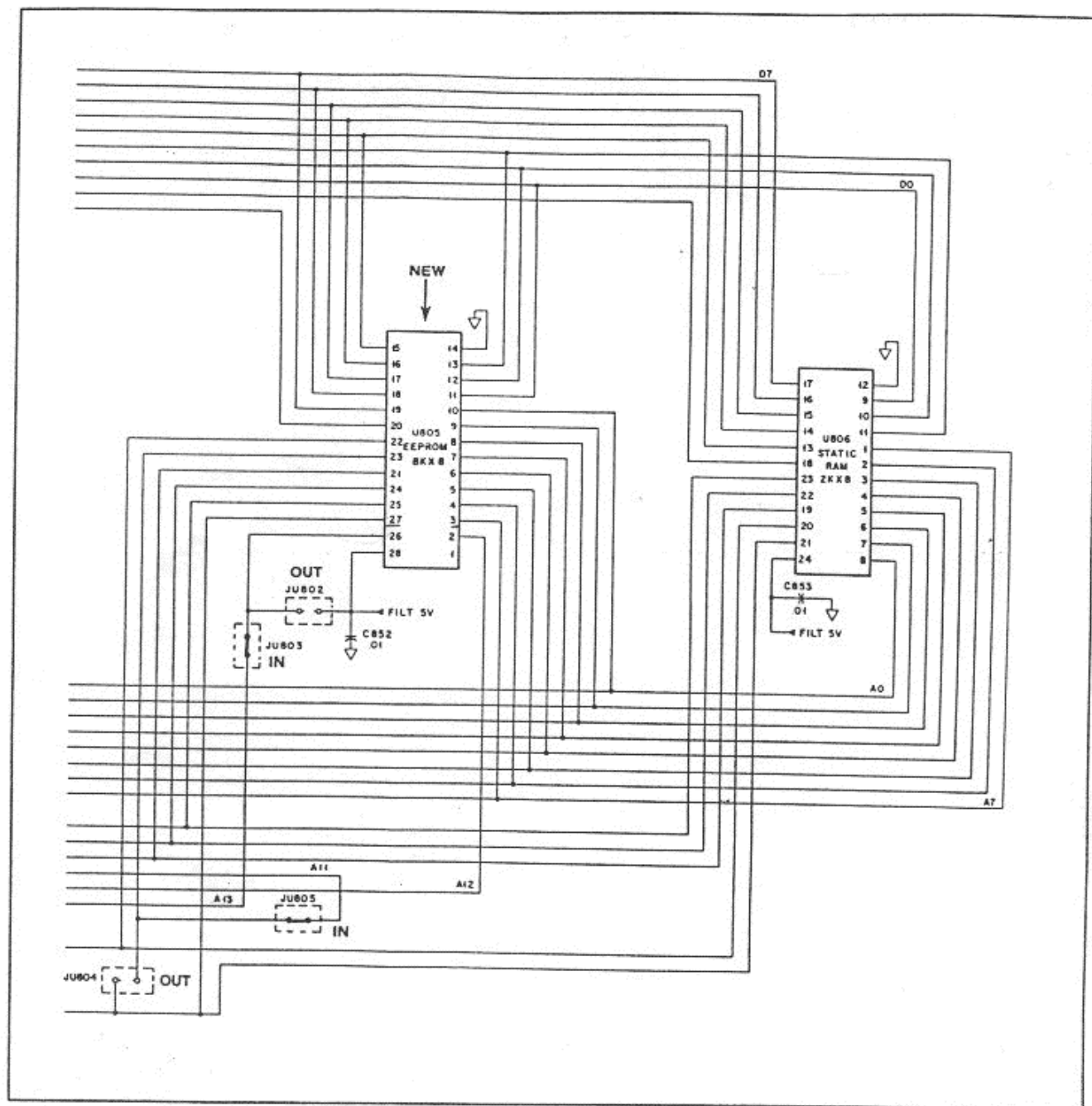


Figure 2 Expanded Accessory Connector Logic Board Modifications