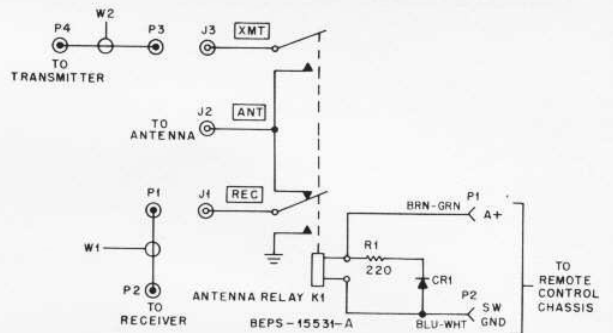
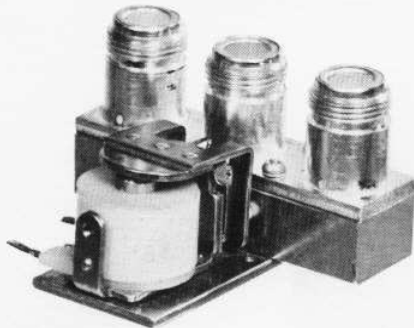


# ANTENNA RELAY

MODEL TLN5705A



REFERENCE SYMBOL	MOTOROLA PART NO.	DESCRIPTION
------------------	-------------------	-------------

## PARTS LIST

TLN5705A Antenna Relay Kit

PL-3027-A

CR1	48-82466H13	<u>SEMICONDUCTOR DEVICE, diode: (SEE NOTE) silicon</u>
K1	80-83885A02	<u>RELAY, armature: coaxial: 13.6 V dc; 1 form "C"; coil res 100 ohms ±10%; includes connectors J1, J2 &amp; J3 (Not available separately)</u>
R1	6-125C33	<u>RESISTOR, fixed: 220 ±10%; 1/2 W</u>
NON-REFERENCED ITEM		
	37-82603D60	SLEEVE, heat-shrinkable (not coded)
	3-7196	SCREW, machine: 4-40 x 1/8"
	3-7467	SCREW, tapping; 8-18 x 3/8"; 2 used
	3-122897	SCREW, machine: 4-40 x 1/4"; 4 used
	4-7651	LOCKWASHER; #8 internal; 2 used
	4-7667	LOCKWASHER; #4 external
	7-82358H01	BRACKET, relay mounting
	31-131745	TERMINAL STRIP
	39-10184A24	CONTACT, chain-form; 2 used
	42-10217A02	STRAP, cable harness

**NOTE:**

For optimum performance, diodes, transistors, and integrated circuits must be ordered by Motorola part numbers.

 **MOTOROLA INC.**  
Communications Division

**Service Publications**  
1301 E. Algonquin Road, Schaumburg, IL 60196