



MOTOROLA INC.

COMBINING TEE DUPLEXER

MODEL TLE5721B; T BELOW R; T/R = 3-20 MHz
 MODEL TLE5730B SERIES; T BELOW R; T/R = 5-20 MHz
 MODEL TLE5770B SERIES; T ABOVE R; T/R = 5-20 MHz
 MODEL TLE5781B; T ABOVE R; T/R = 3-20 MHz

DESCRIPTION

The combining TEE duplexer kits, when used in conjunction with appropriate incabinet transmit filtering, provide the specific electrical lengths of cable required to accomplish incabinet duplexer operation for single antenna applications.

For T below R applications, the transmitter leg is approximately 3/4-wavelength long and the receiver leg is approximately 5/4-wavelength long.

For T above R applications, the transmitter leg is approximately 3/4-wavelength long and the receiver leg is approximately 5/4-wavelength long.

The combining TEE duplexer kits are factory assembled and are not field repairable. Refer to Table 1, Figure 1 and Figure 2 (on page 2) for application information.

Table 1. Combining TEE Duplexer Application Information

Model	Frequency	Color Code	Description
TLE5721B	403-435 MHz	RED	T below R, 3-20 MHz
TLE5731B	403-435 MHz	PINK	T below R, 5-20 MHz
TLE5732B	435-475 MHz	GREEN	T below R, 5-20 MHz
TLE5771B	403-435 MHz	GRAY	T above R, 5-20 MHz
TLE5772B	435-475 MHz	YELLOW	T above R, 5-20 MHz
TLE5781B	403-435 MHz	ORANGE	T above R, 3-20 MHz

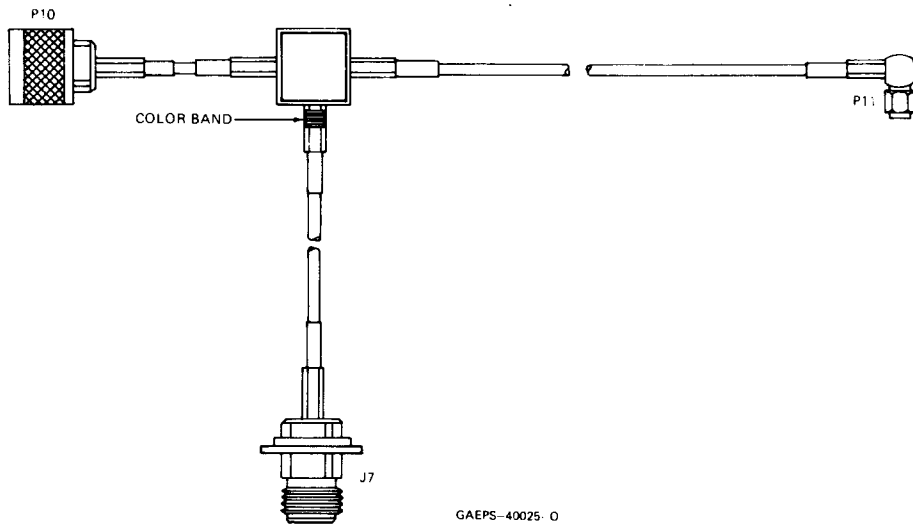


Figure 1. Combining TEE Duplexer For T Below R

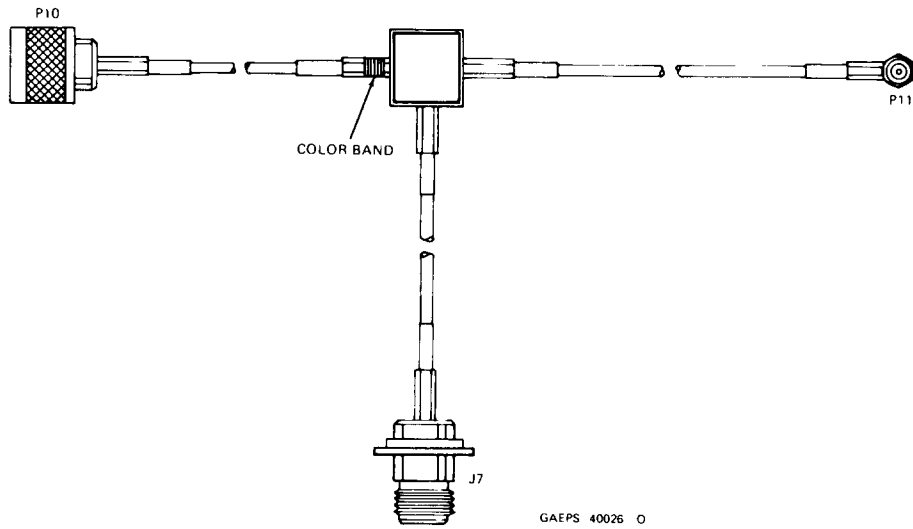


Figure 2. Combining TEE Duplexer For T Above R