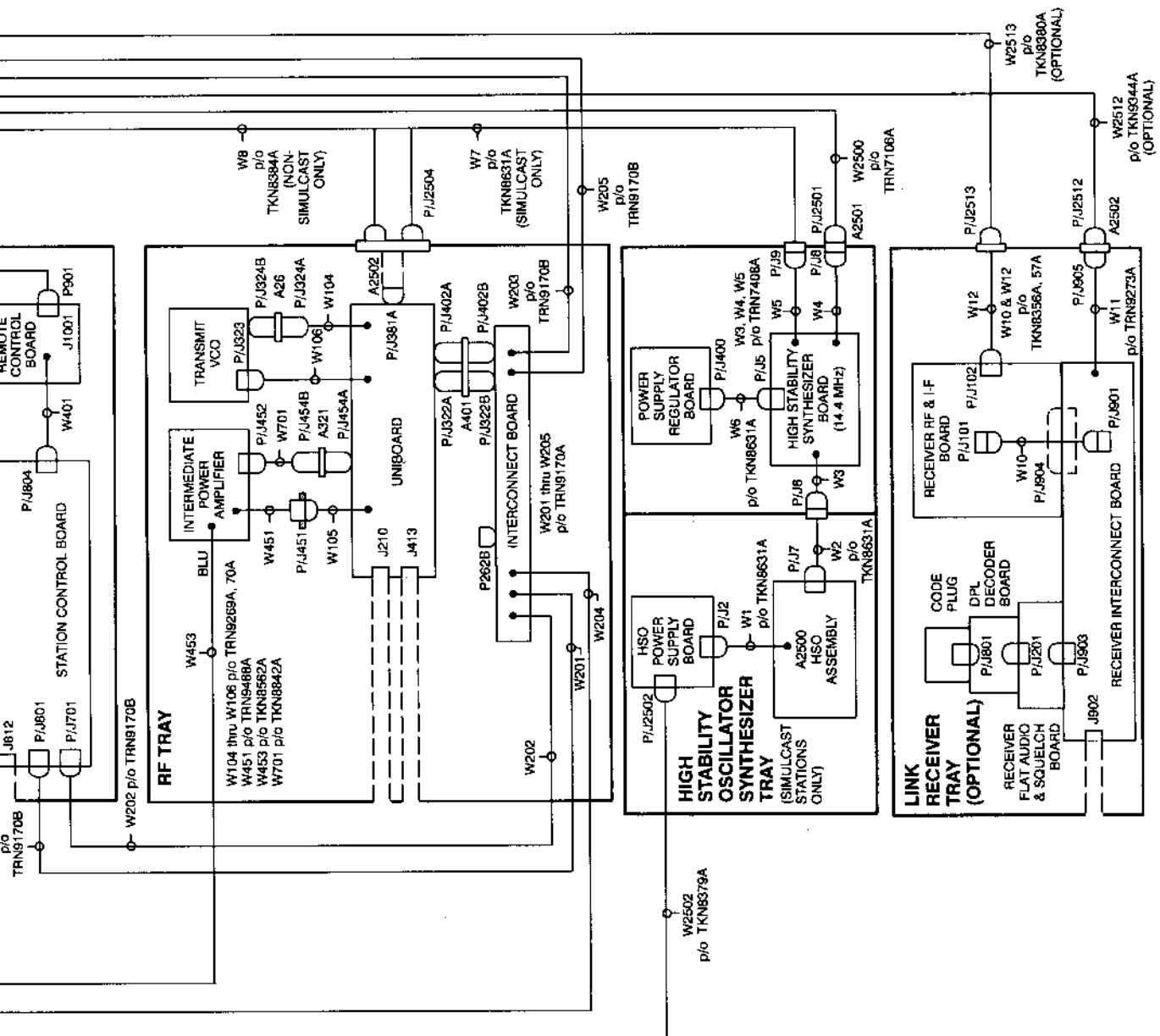
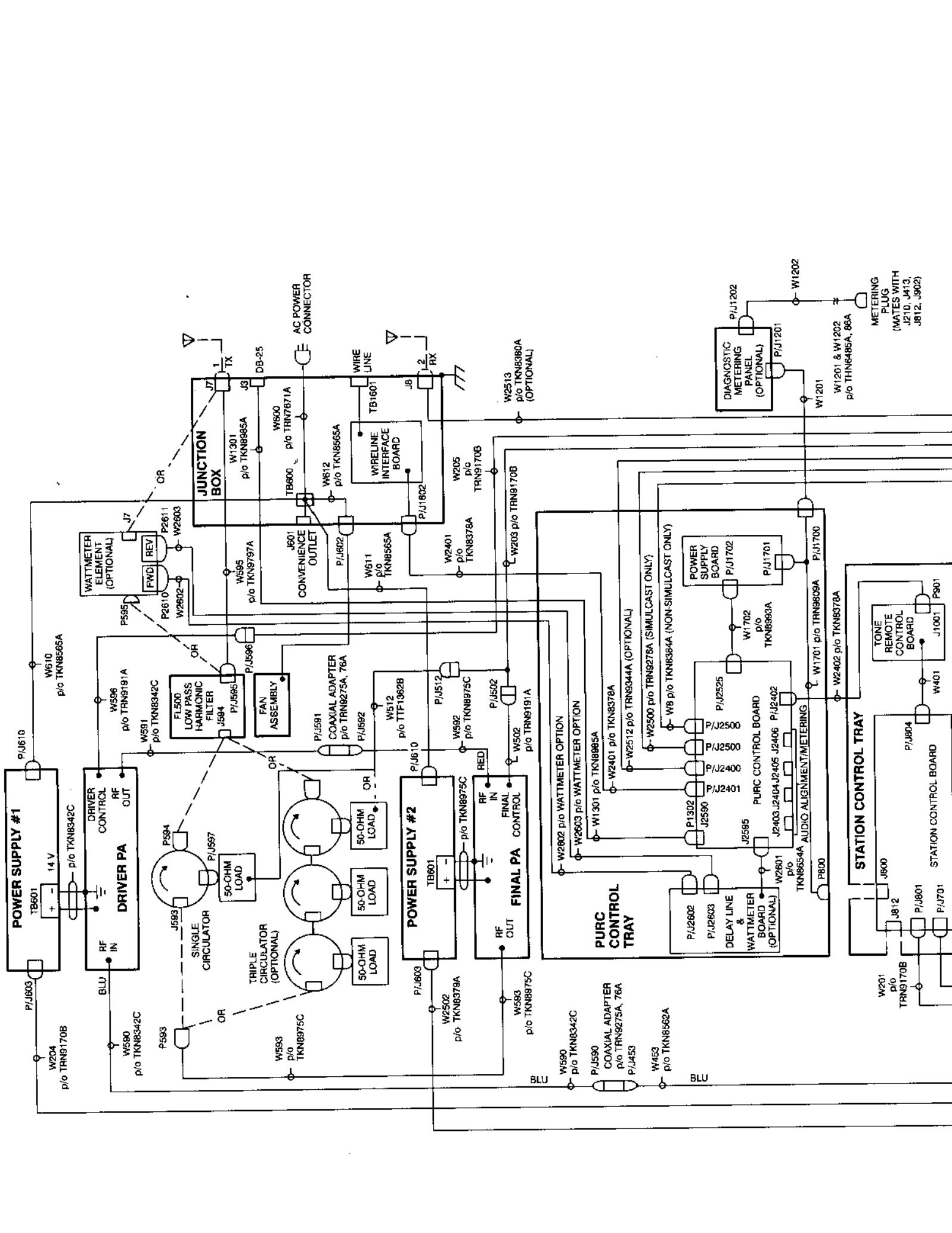


PURC 5000 STATION INTERCABLING

900 MHz 75 W AND 150 W STATIONS

(MATES WITH
 J210, J413,
 J812, J902)





POWER SUPPLY #1
TB601
14 V
DRIVER CONTROL
RF IN
RF OUT

DRIVER PA
PS94
PS97
J594
J597
50-OHM LOAD

POWER SUPPLY #2
TB601
FINAL PA
RF IN
FINAL CONTROL
RF OUT

PURC CONTROL TRAY
P/J2602
P/J2603
DELAY LINE & WATTMETER BOARD (OPTIONAL)
W2601
P/J2590
P/J2401
P/J2500
P/J2525
W1702
TKN8393A
P/J1701

STATION CONTROL TRAY
J800
J812
P/J804
P/J801
P/J701
P901
W401
J1001

JUNCTION BOX
W1301 p/o TKN8985A
W600 p/o TRN7871A
TB600
W612 p/o TKN8565A
W611 p/o TKN8565A
W2401 p/o TKN8378A
W205 p/o TRN9170B
W2513 p/o TKN8380A (OPTIONAL)

WIRELINE INTERFACE BOARD
TB1601
J8
2
RX

CONVENIENCE OUTLET
J601
P/J602
W595 p/o TKN9797A

POWER SUPPLY BOARD
P/J1702
P/J1701
W1702 p/o TKN8393A

STATION CONTROL BOARD
P/J804
P/J801
P/J701
P901
W401
J1001

DIAGNOSTIC METERING PANEL (OPTIONAL)
P/J1202
P/J1201
W1201
W1201 & W1202 p/o TKN8485A, 86A
METERING PLUG (MATES WITH J210, J413, J812, J802)

FL500 LOW PASS HARMONIC FILTER
J594
P/J595
P/J596

COAXIAL ADAPTER
P/J591
P/J592
W512 TTF1382B
W592 p/o TKN8975C
P/J512

DRIVER CONTROL
P/J610
W596 p/o TRN8191A
W591 p/o TKN8342C
W610 p/o TKN8565A
P595
P2610
REV
P2611
W2602
W2603

W204 p/o TRN9170B
P/J603
BLU

W590 p/o TKN8342C
P593

W593 p/o TKN8975C

W2502 p/o TKN8379A
P/J603

W593 p/o TKN8975C
P/J610

W590 p/o TKN8342C
P/J590 COAXIAL ADAPTER p/o TRN8275A, 76A
P/J453
W453 p/o TKN8562A
BLU

W2802 p/o WATTMETER OPTION
W2603 p/o WATTMETER OPTION
W1301 p/o TKN8985A
W2401 p/o TKN8378A
W2512 p/o TRN8344A (OPTIONAL)
W2500 p/o TRN9276A (SIMULCAST ONLY)
W8 p/o TKN8384A (NON-SIMULCAST ONLY)

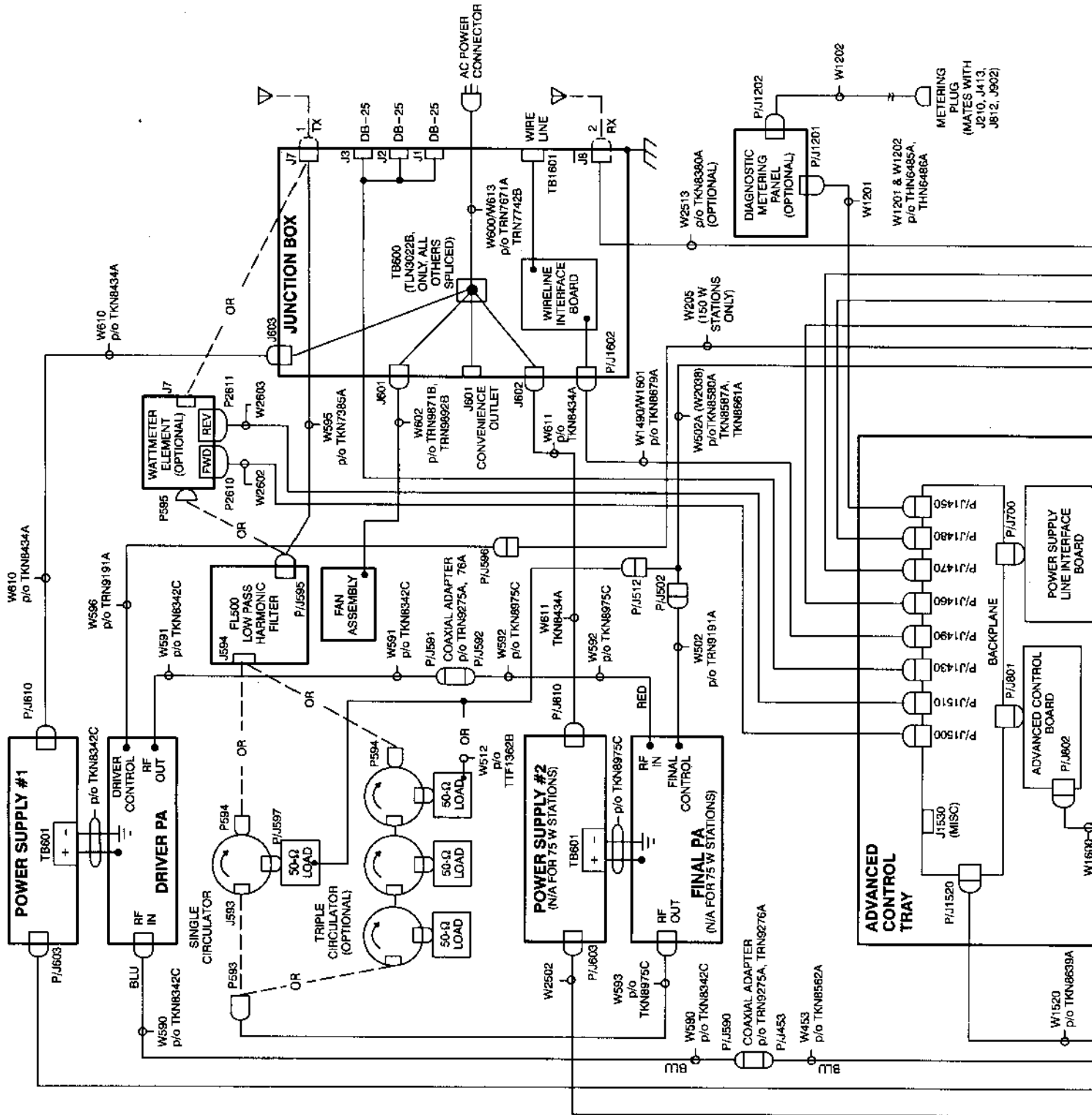
W1701 p/o TRN8629A
P/J1700
W2402 p/o TKN8378A

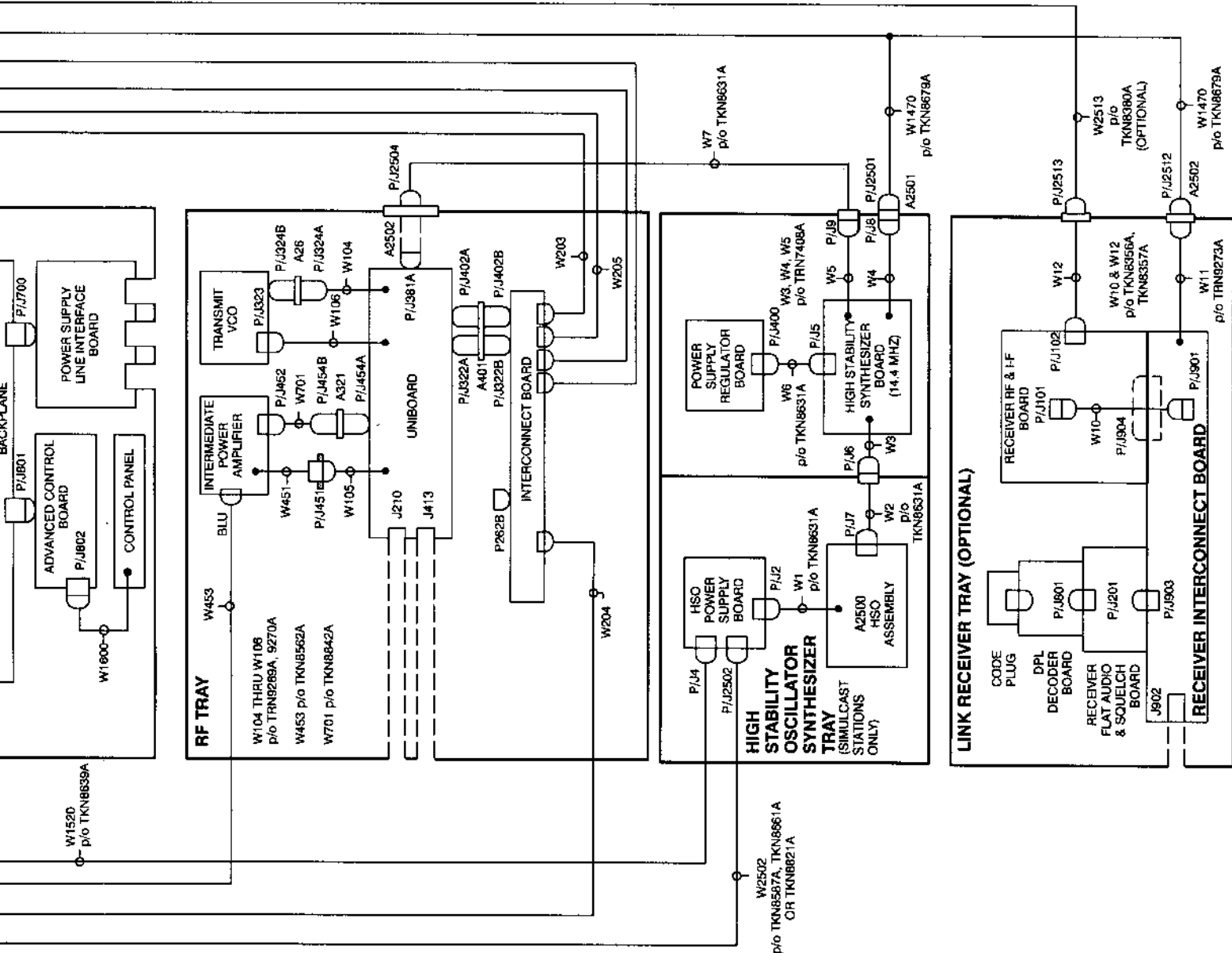
W201 p/o TRN9170B
J812
P/J801
P/J701

W1201

PURC 5000 STATION INTERCABLING (WITH ADVANCED CONTROL)

900 MHz 75 W AND 150 W STATIONS





PURC 5000 (WITH ADVANCED CONTROL) STATION INTERCABLING

900 MHZ, 5 WATT STATION

