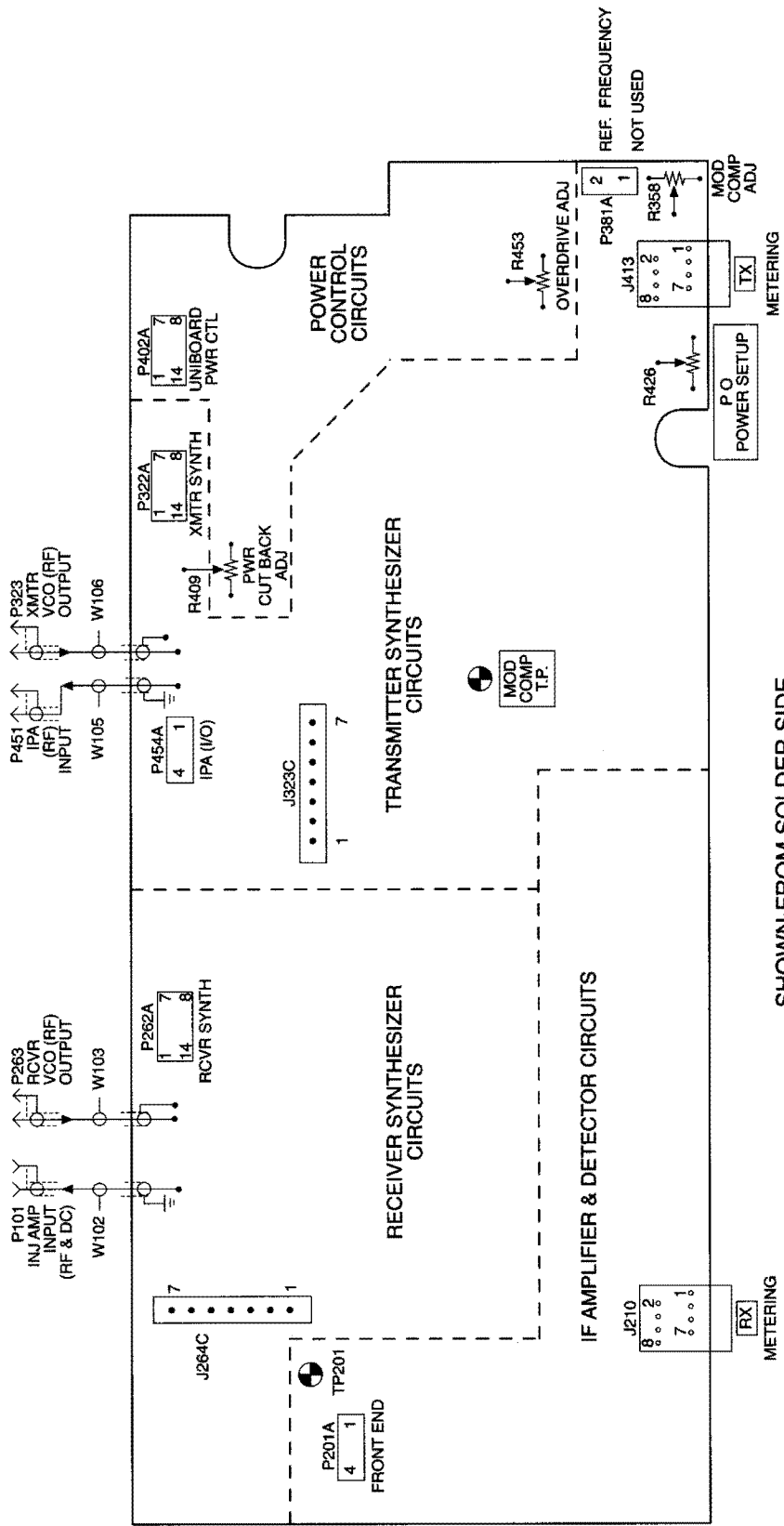


Uniboard



MSFS005
050694KOM

Uniboard Connectors

P201A

1	TEST POINT TP151
2	MIXER OUT 8 MTR 3
3	+9.6V
4	GND

P402A

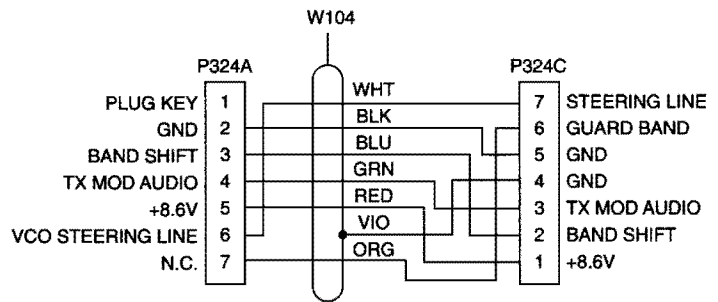
PA ON	1	14	PA POWER CUTBACK
FINAL FORWARD VOLTAGE	2	13	N.C.
METERING FINAL FORWARD VOLTAGE	3	12	MAIN +13.8V (A++)
AUDIO GND	4	11	+5V
THERMAL SUM POINT	5	10	METERING FINAL REFLECTED VOLTAGE
CIRCULATOR LOAD TEMP	6	9	PA FULL POWER
PA KEY	7	8	DRIVER FORWARD VOLTAGE

P454A

1	CONTROL VOLTAGE
2	TX ENABLE
3	MAIN +13.8V (A+)
4	+9.6V

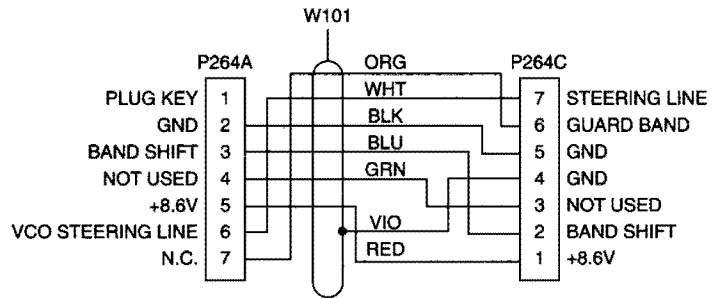
P262A

+5V	1	14	MAIN +13.8V (A++)
RX STROBE	2	13	N.C.
SA2	3	12	RAW RX AUDIO
SA1	4	11	RX LOOP
SA0	5	10	SD0
SD1	6	9	SD3
SD2	7	8	RX LOOP



P322A

SA1	1	14	TX STROBE
MOD ENABLE	2	13	SA2
TX LOCK	3	12	SA0
SD2	4	11	TX LOOP
SD1	5	10	SD3
AUDIO (GND A)	6	9	SD0
+9.6V	7	8	TX MOD AUDIO



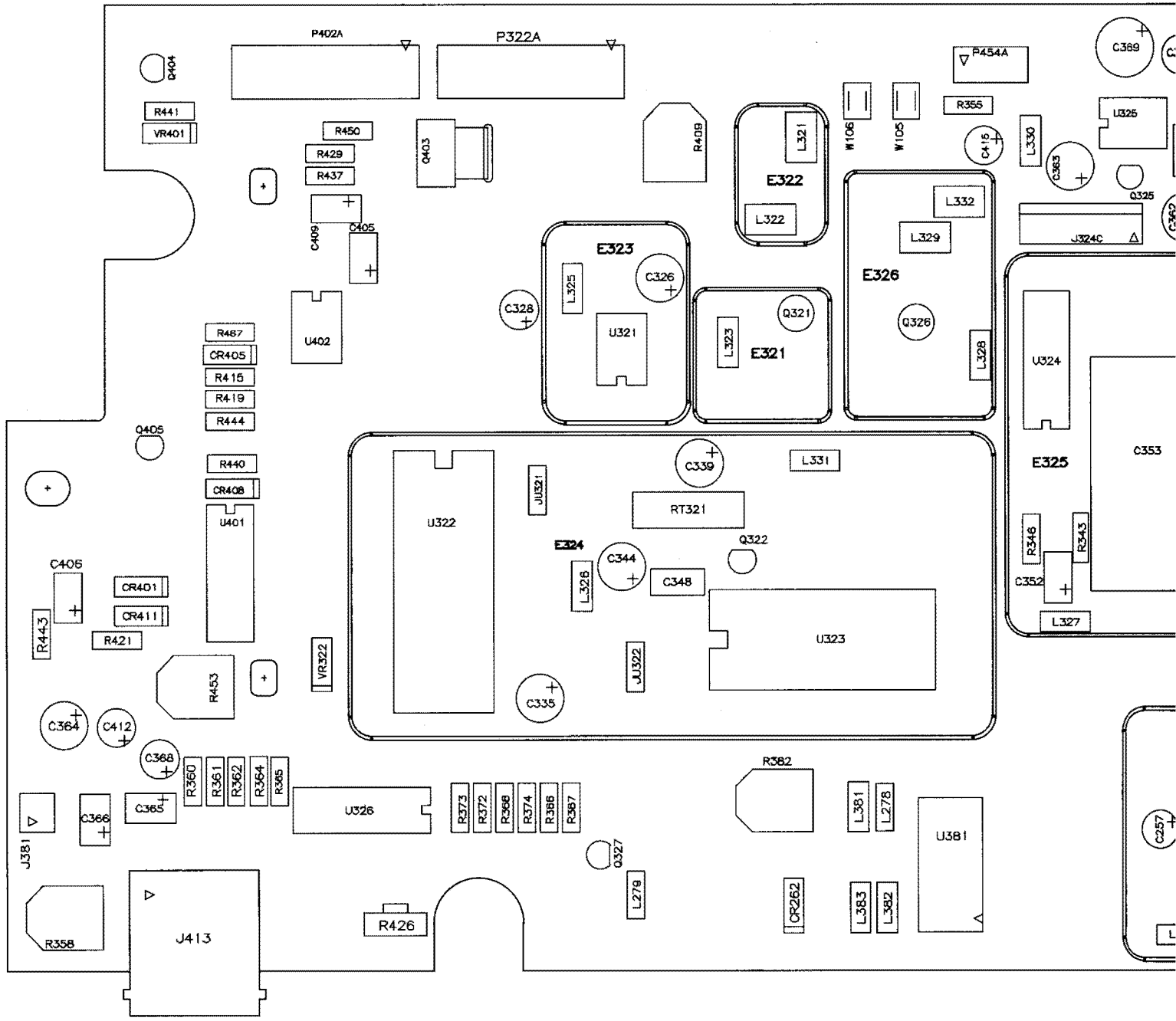
J413
TX MTR

GND	7	8	GND
TX STEERING LINE VOLTAGE	5	6	GND
CONTROL VOLTAGE	3	4	DRIVER FORWARD VOLTAGE
FINAL FORWARD VOLTAGE	1	2	FINAL REFLECTED VOLTAGE

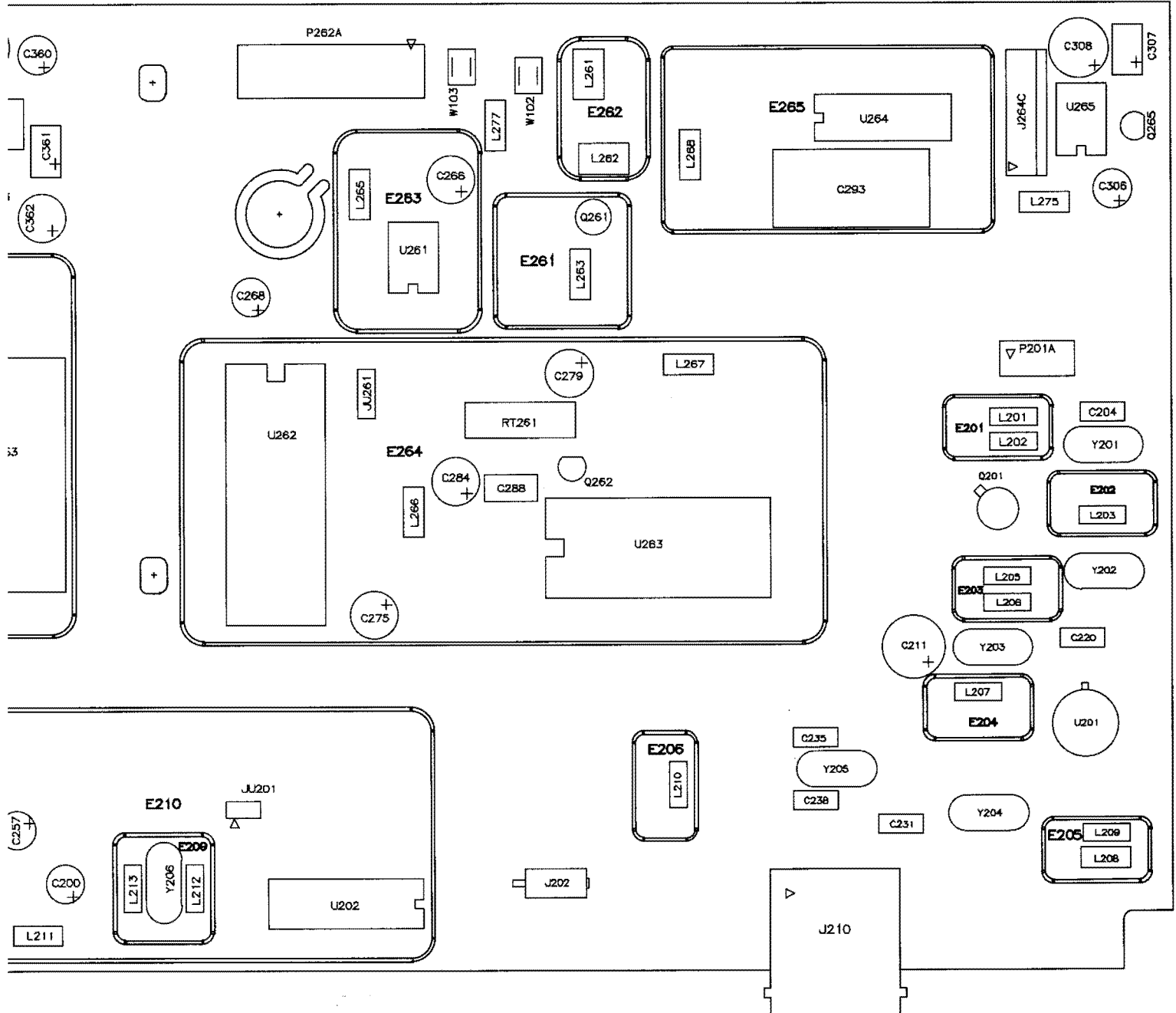
J210
RX MTR

GND	7	8	GND
RX STEERING LINE VOLTAGE	5	6	GND
MIXER L.O. LEVEL	3	4	INTERNAL REF. OSC. LEVEL
QUADRATURE DETECTOR	1	2	I-F LEVEL

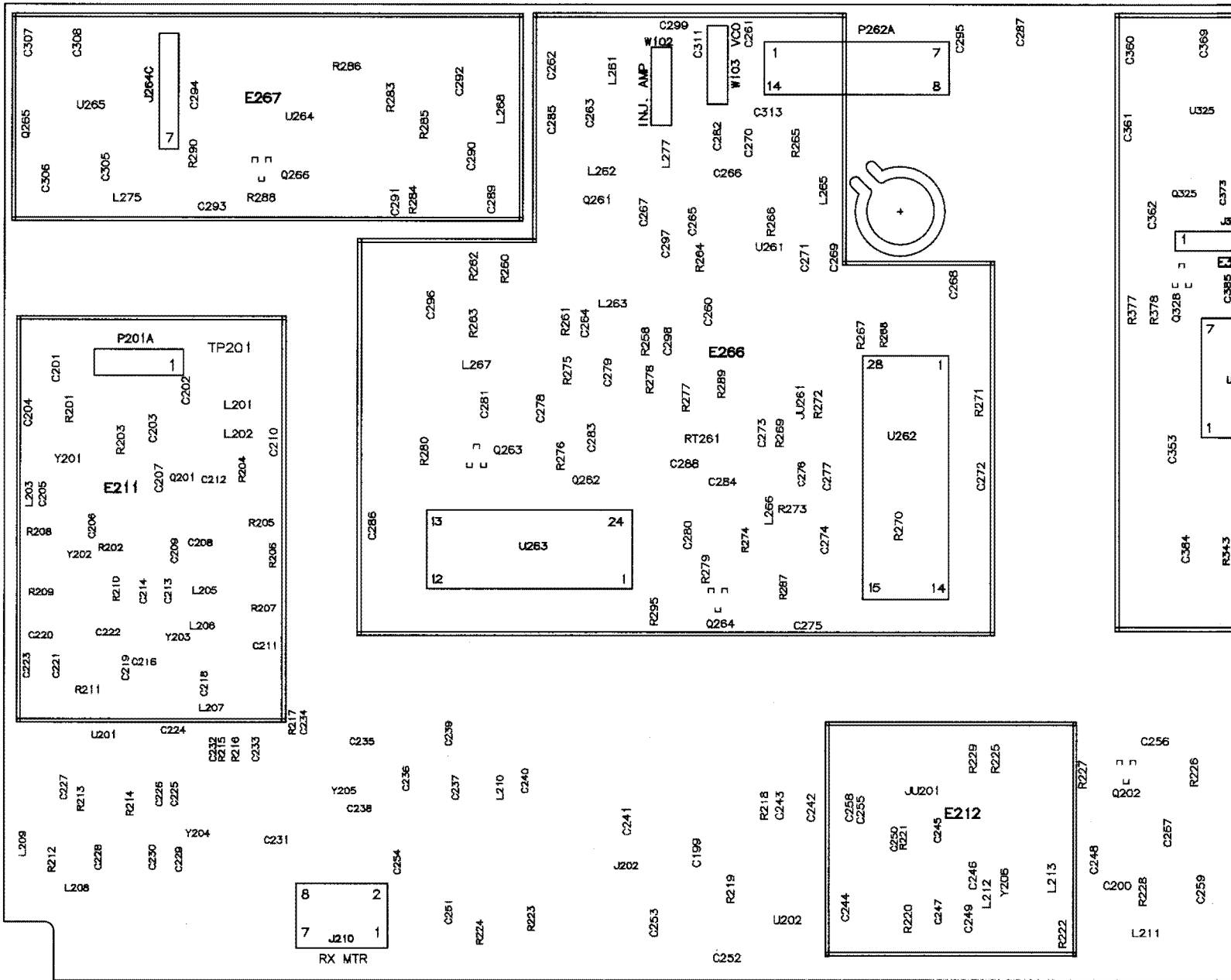
MSFS089
042194JNM



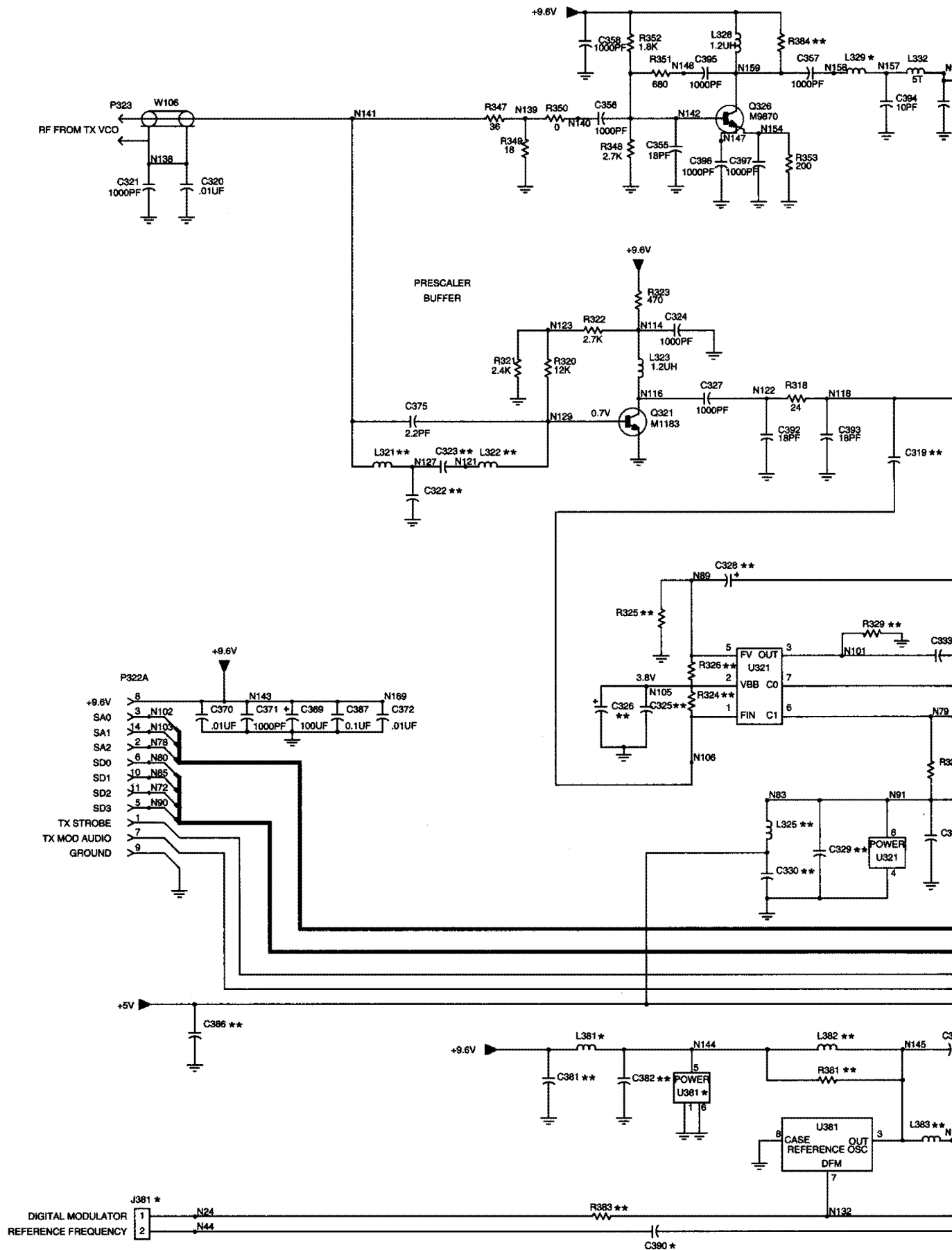
COMPONE

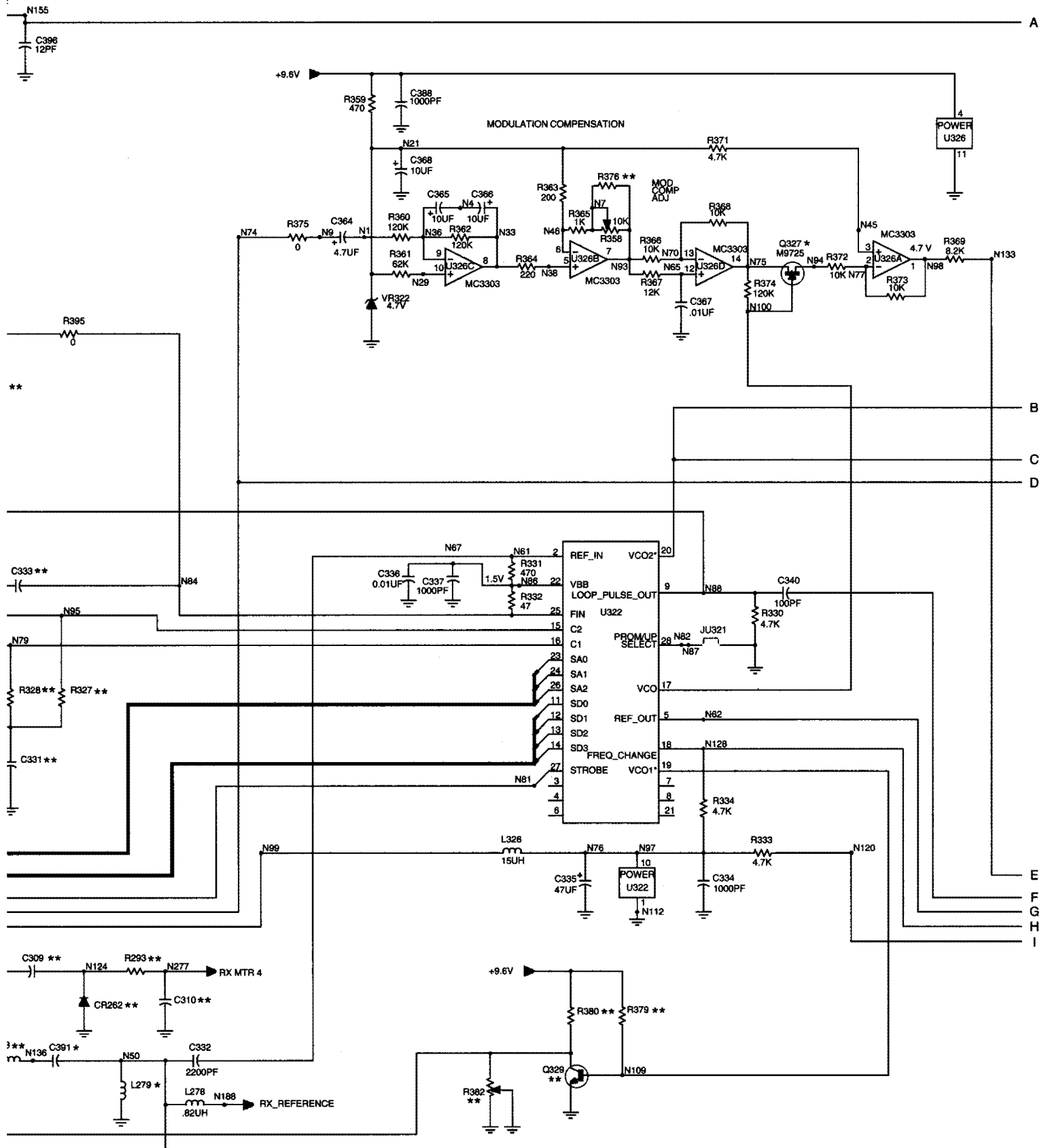


VENT SIDE

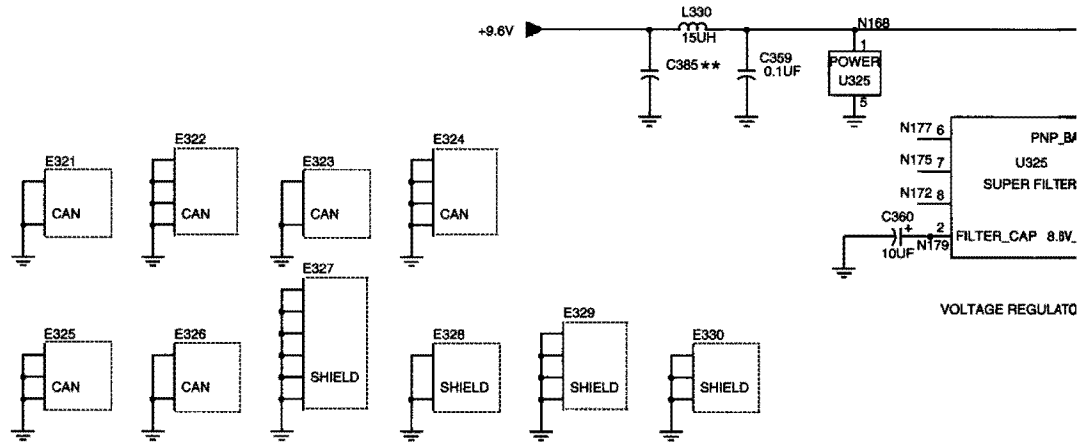


SOLDER SID





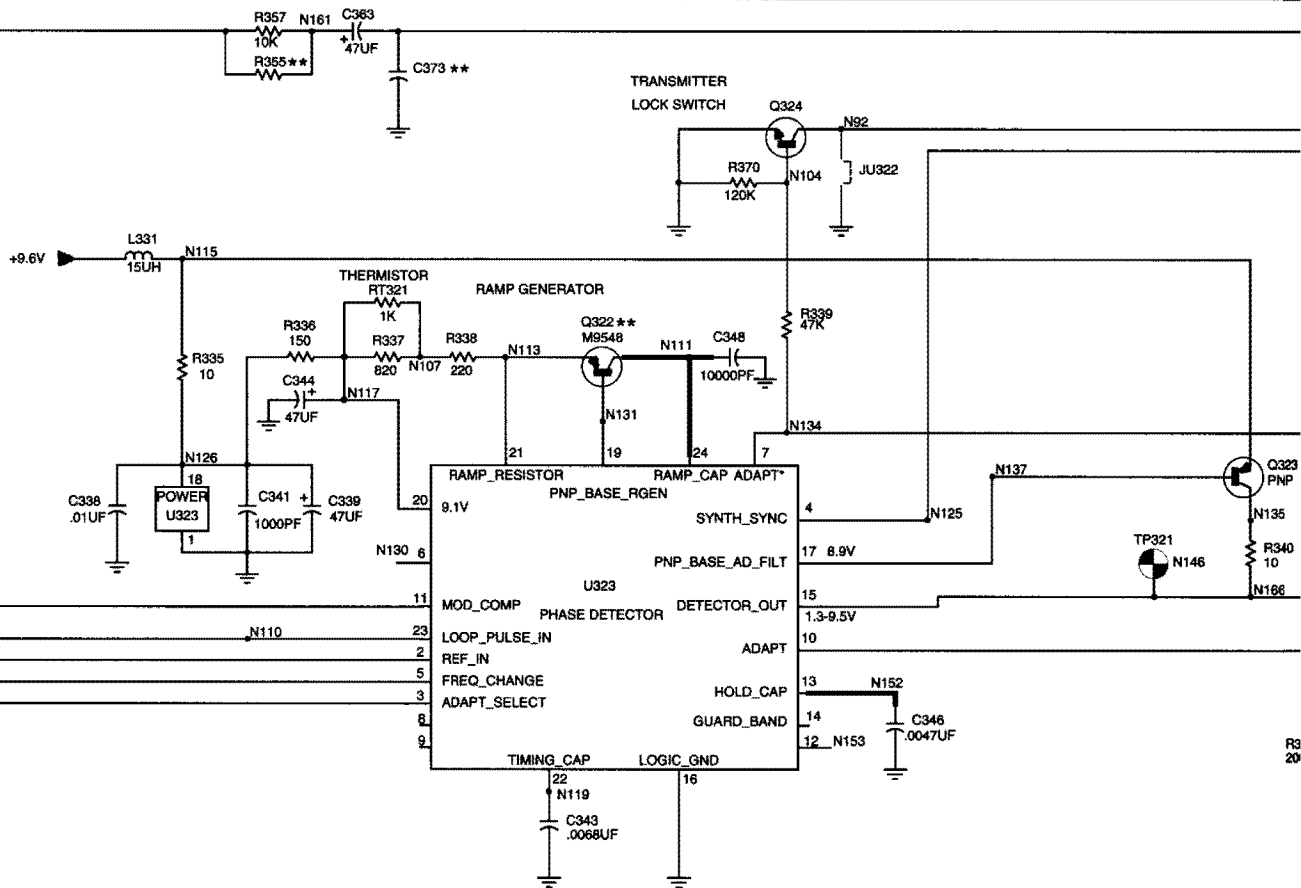
A



B

C

D



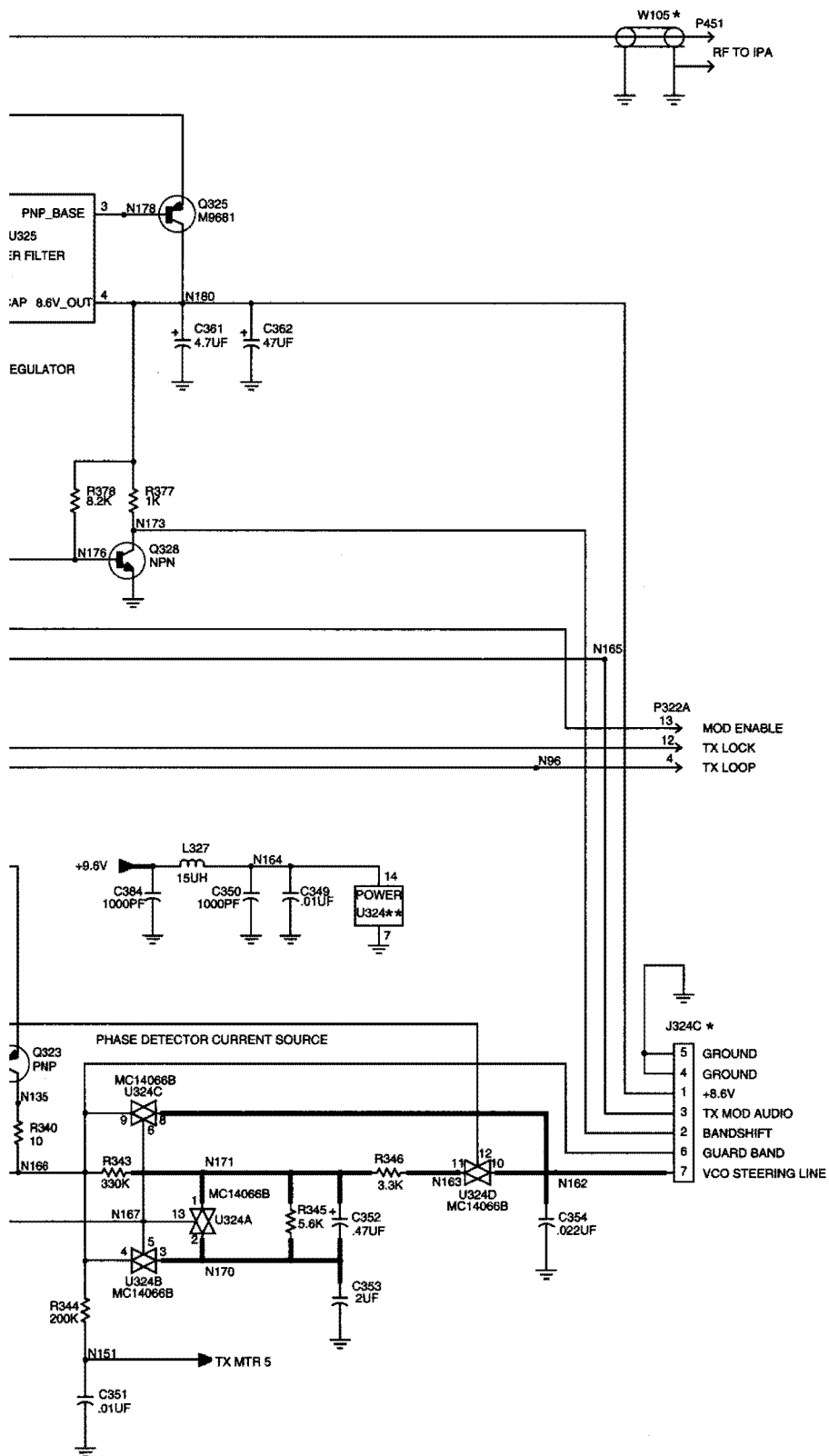
E

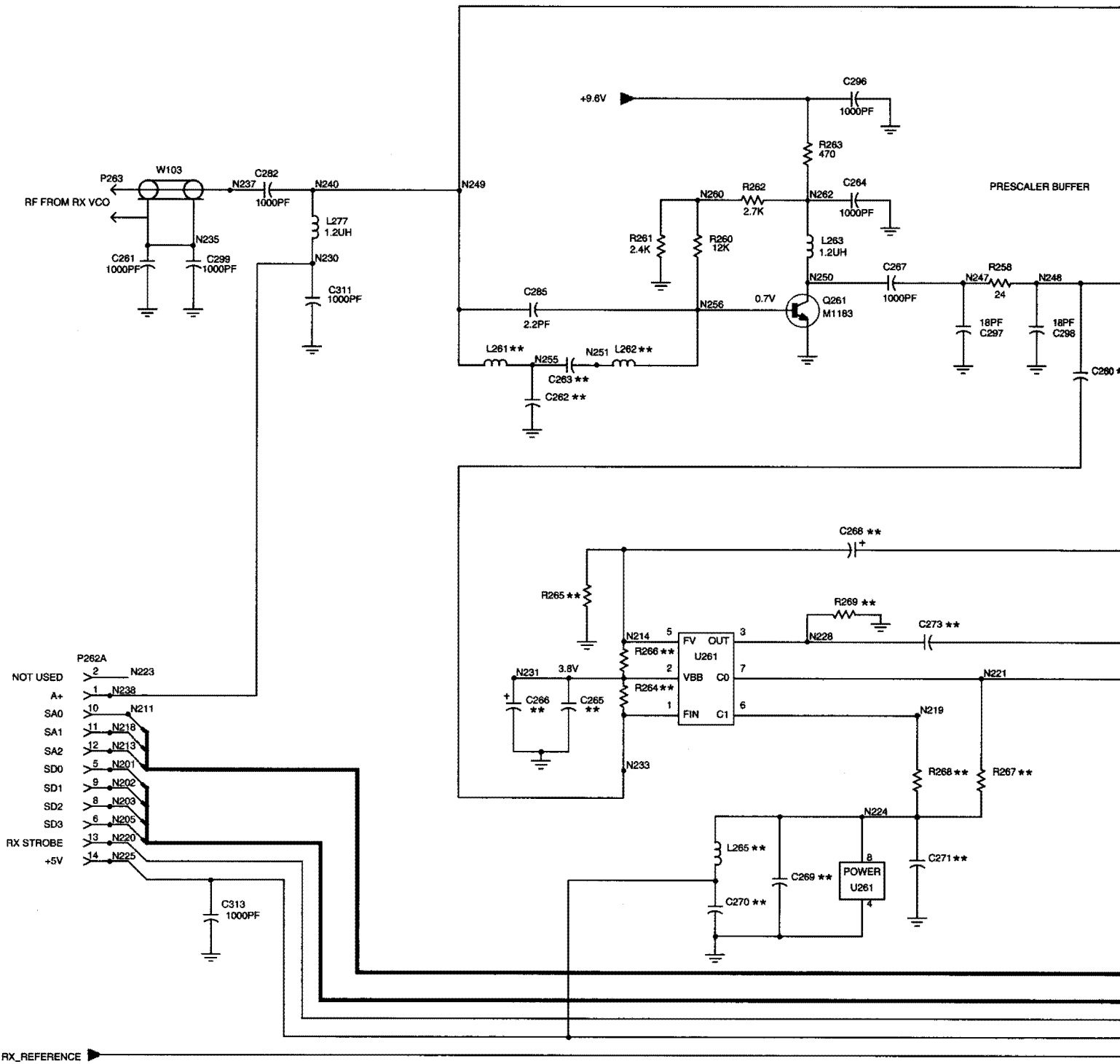
F

G

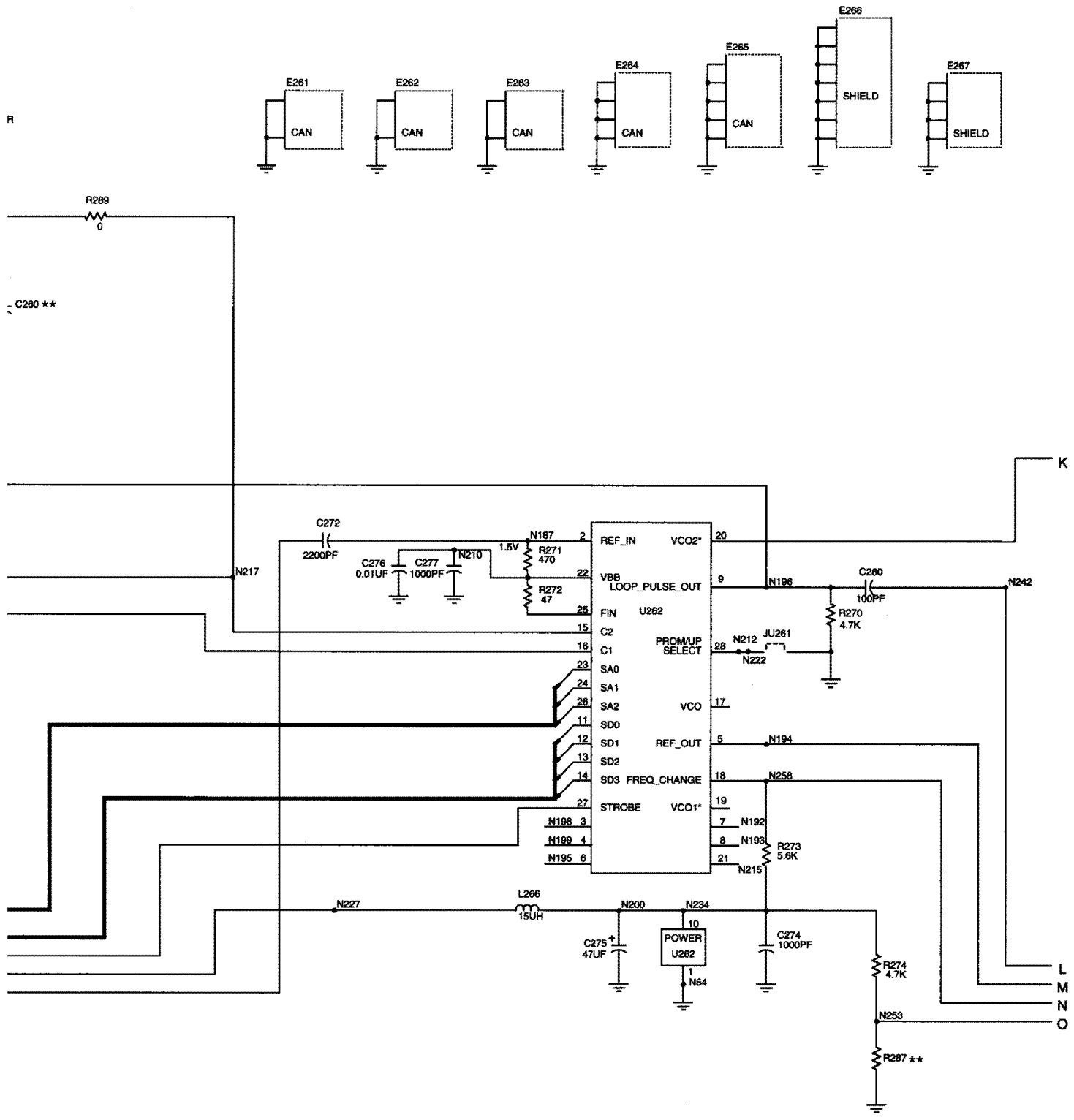
H

I

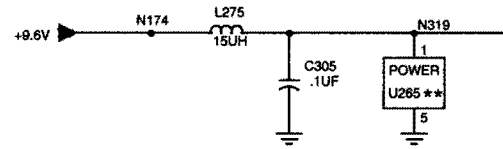




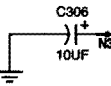
J



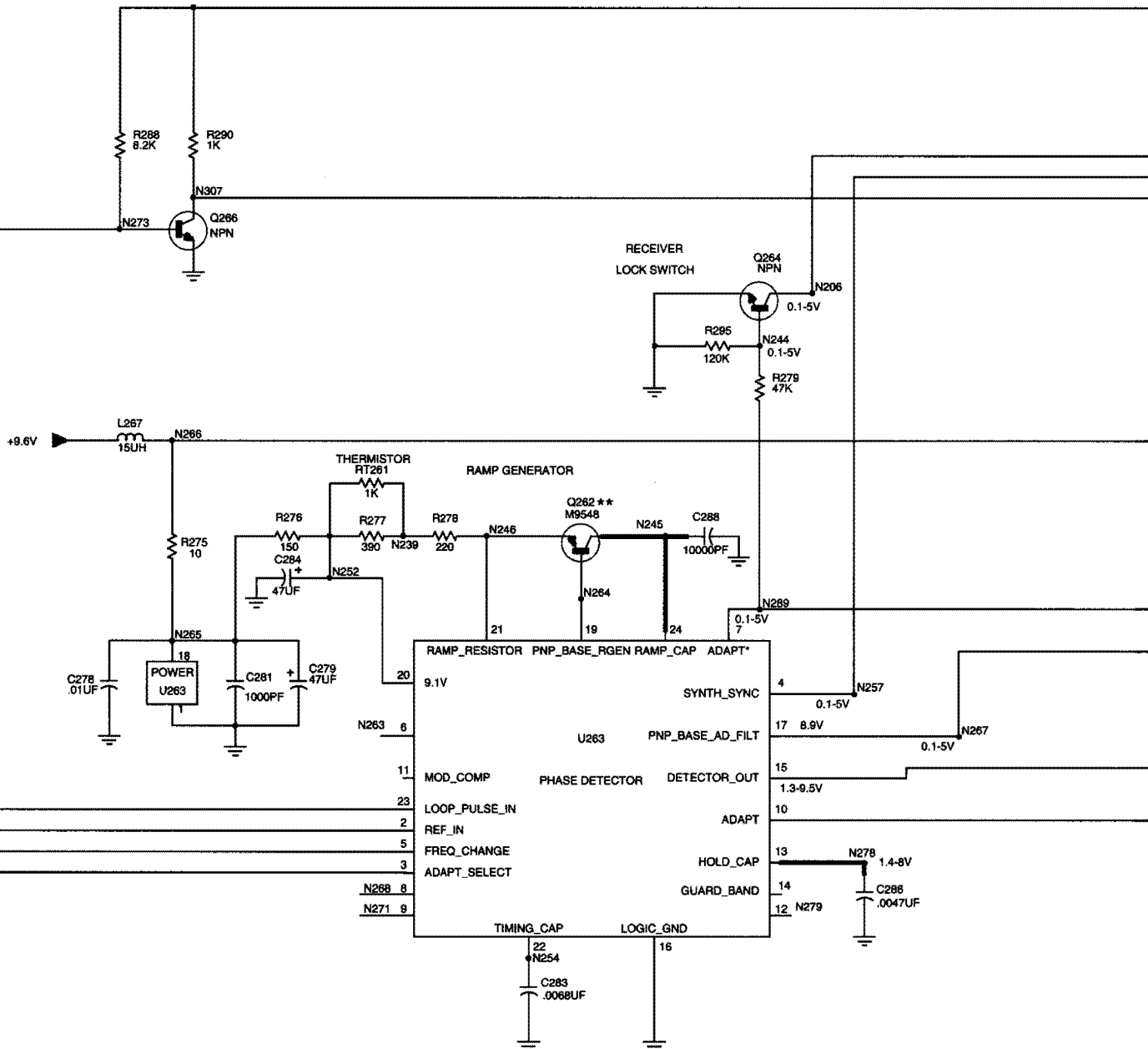
J



VOLTAGE REGULATOR



K

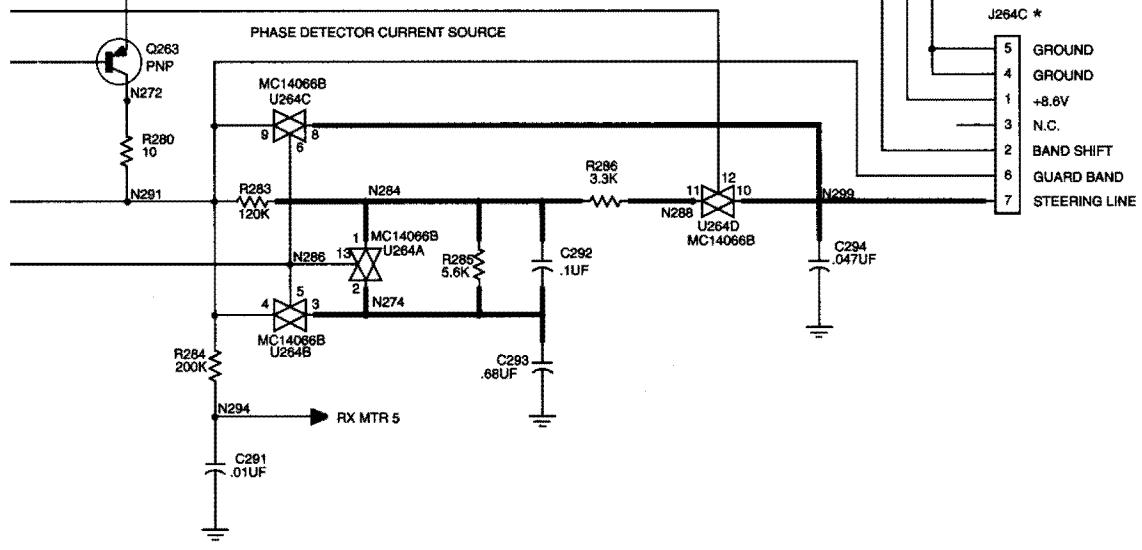
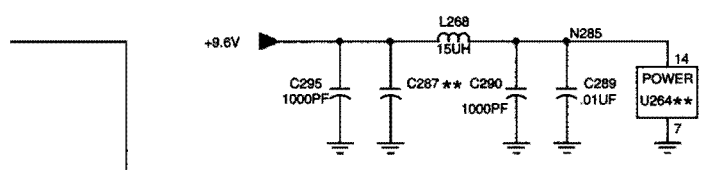
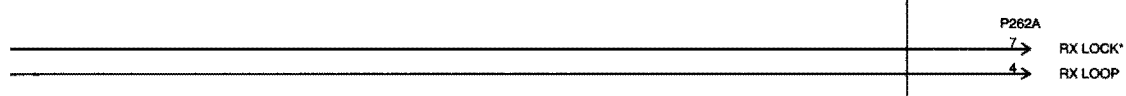
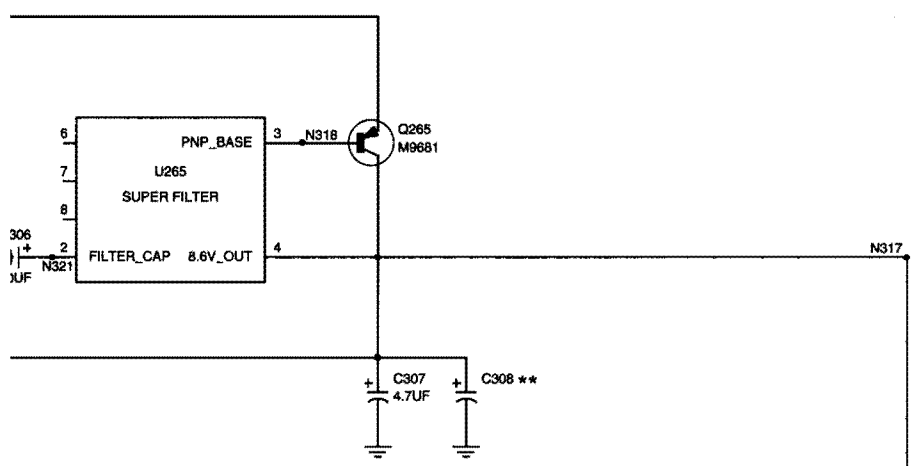
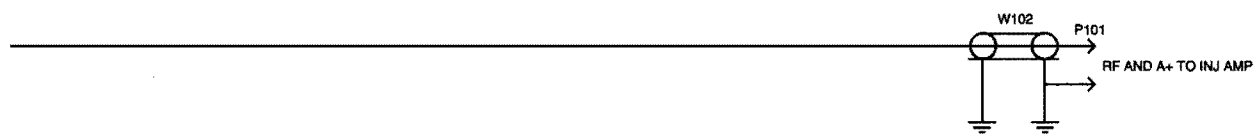


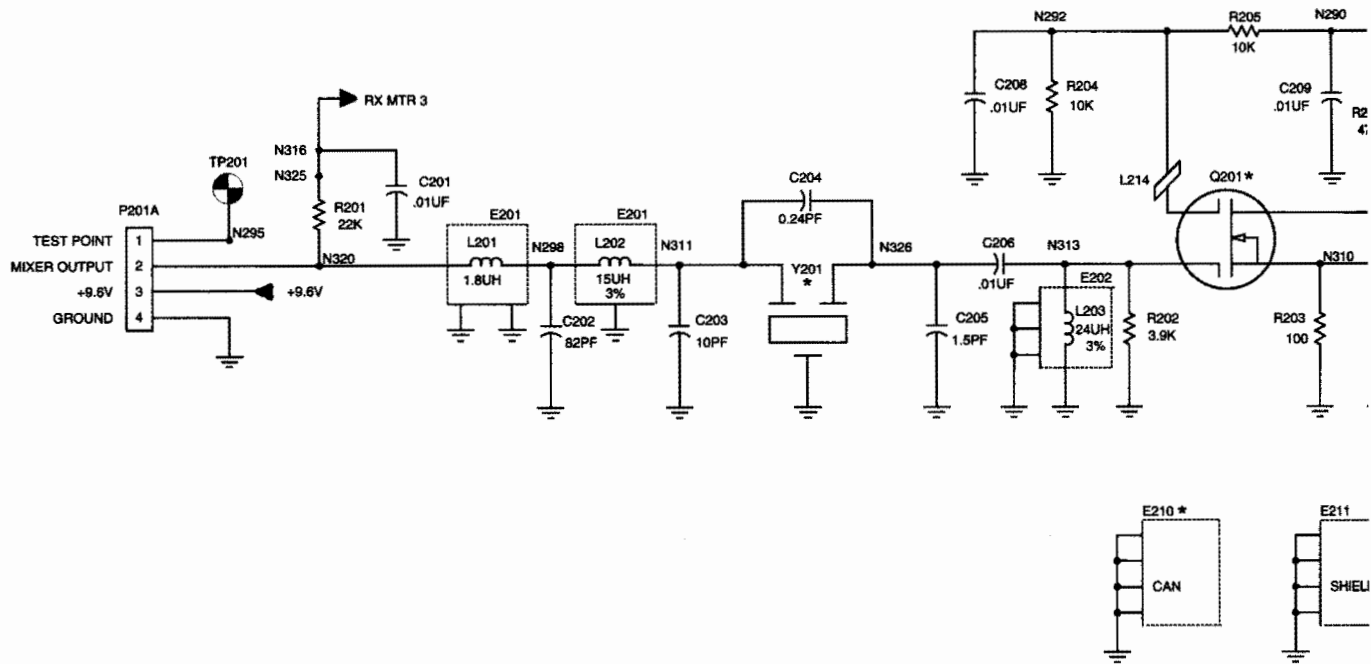
L

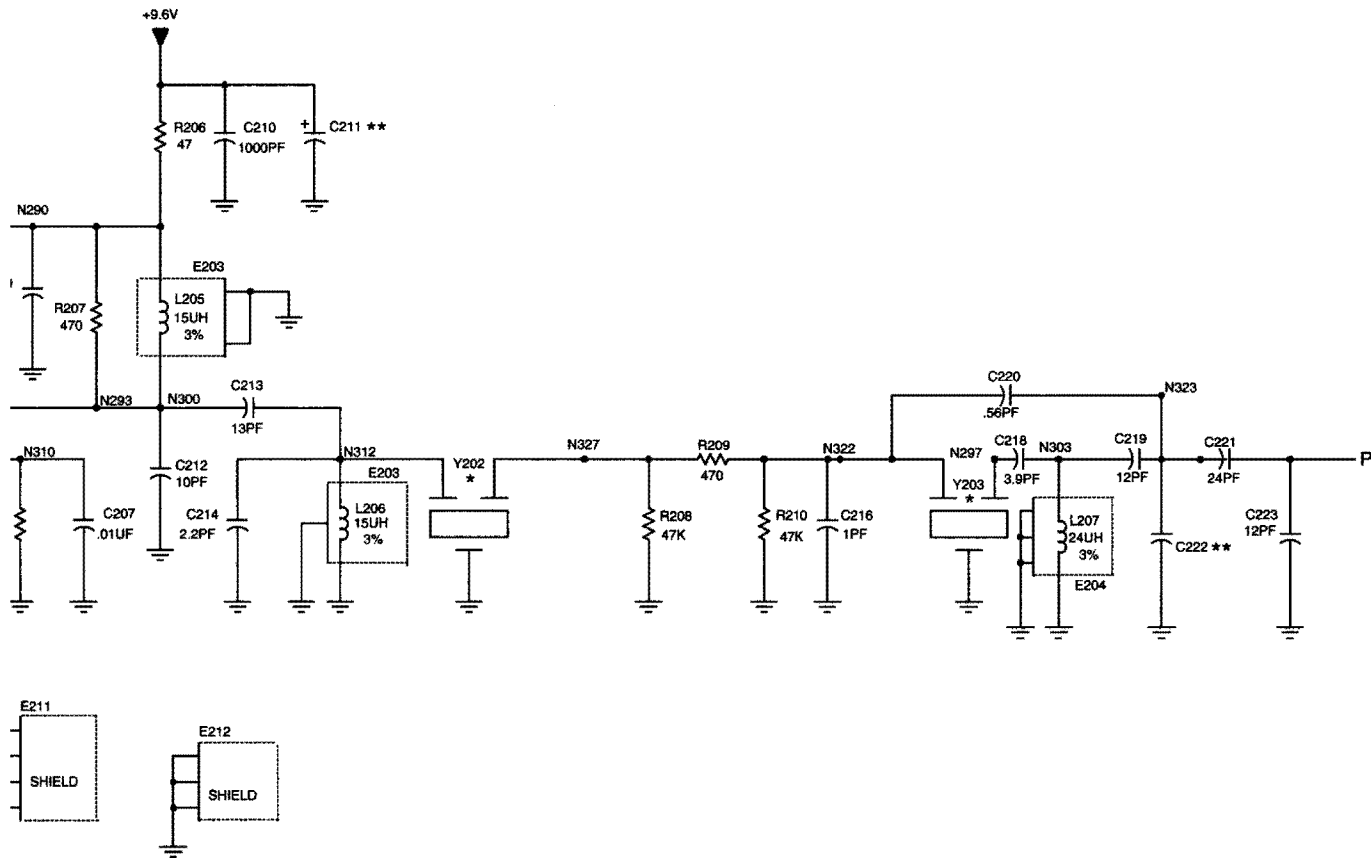
M

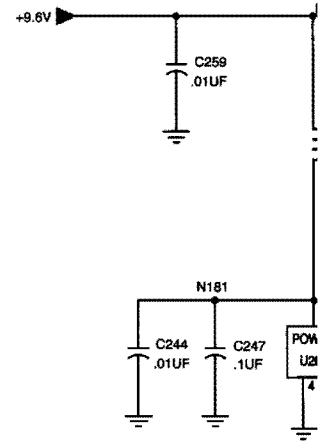
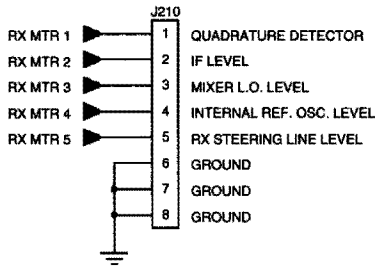
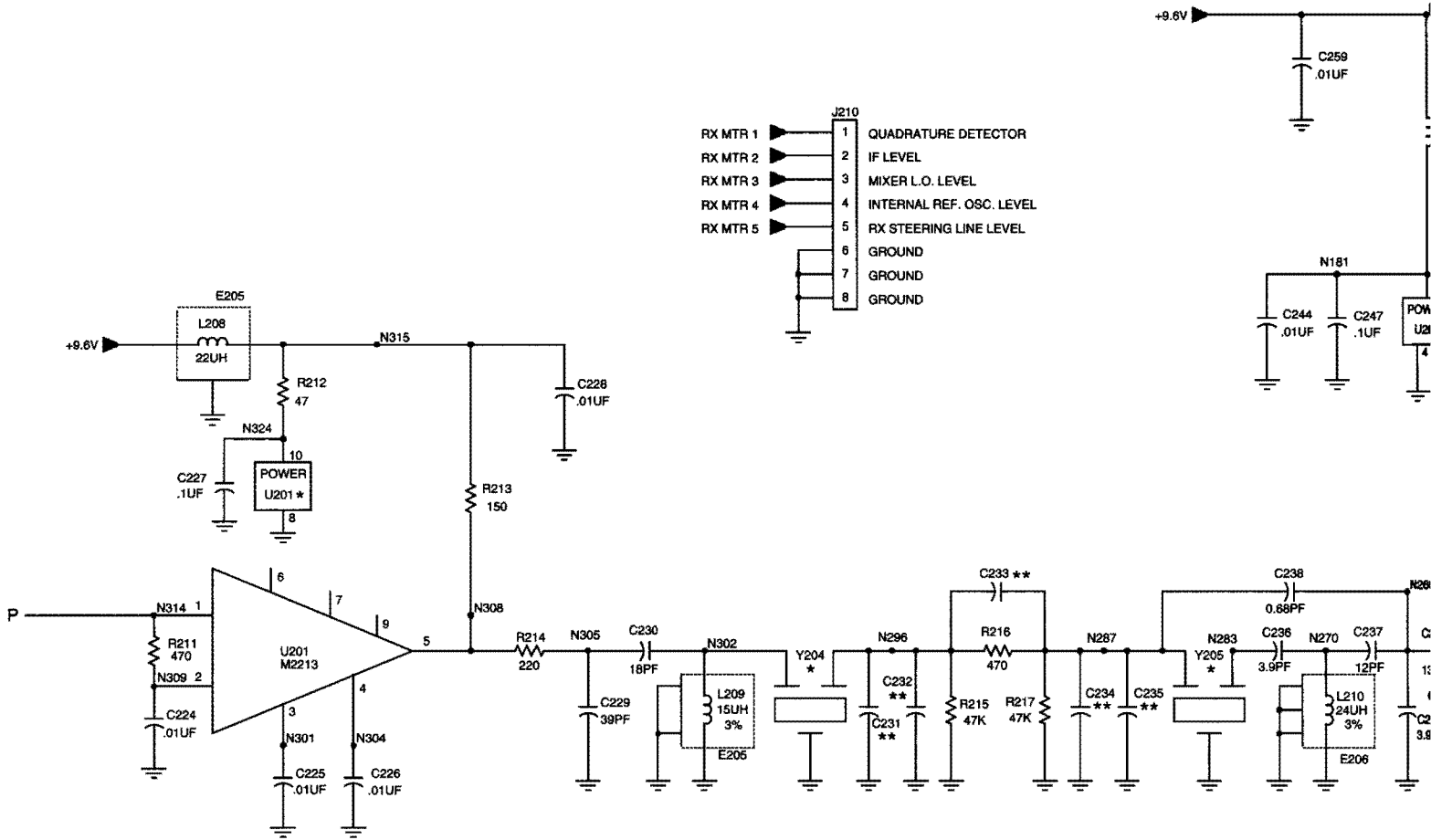
N

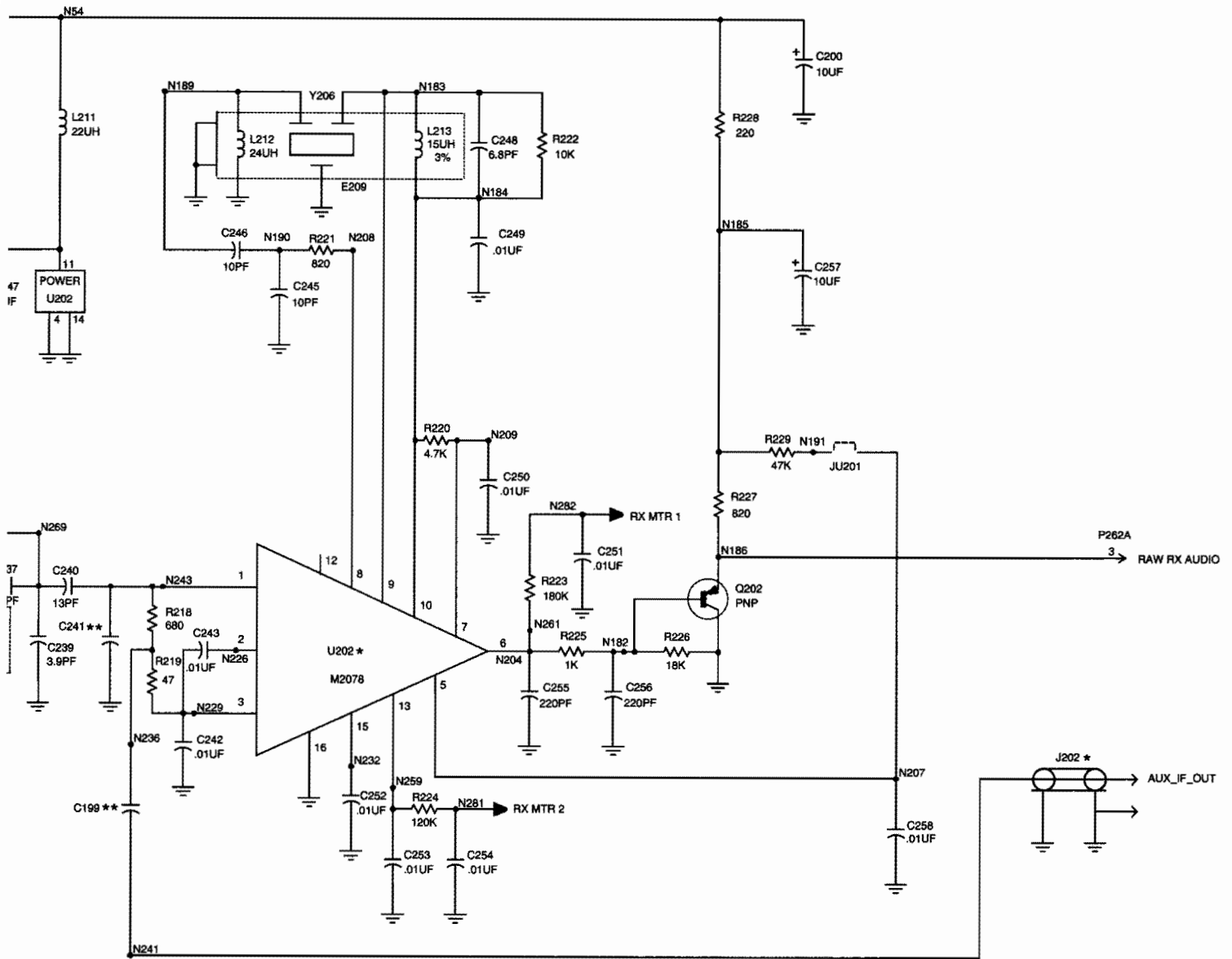
O

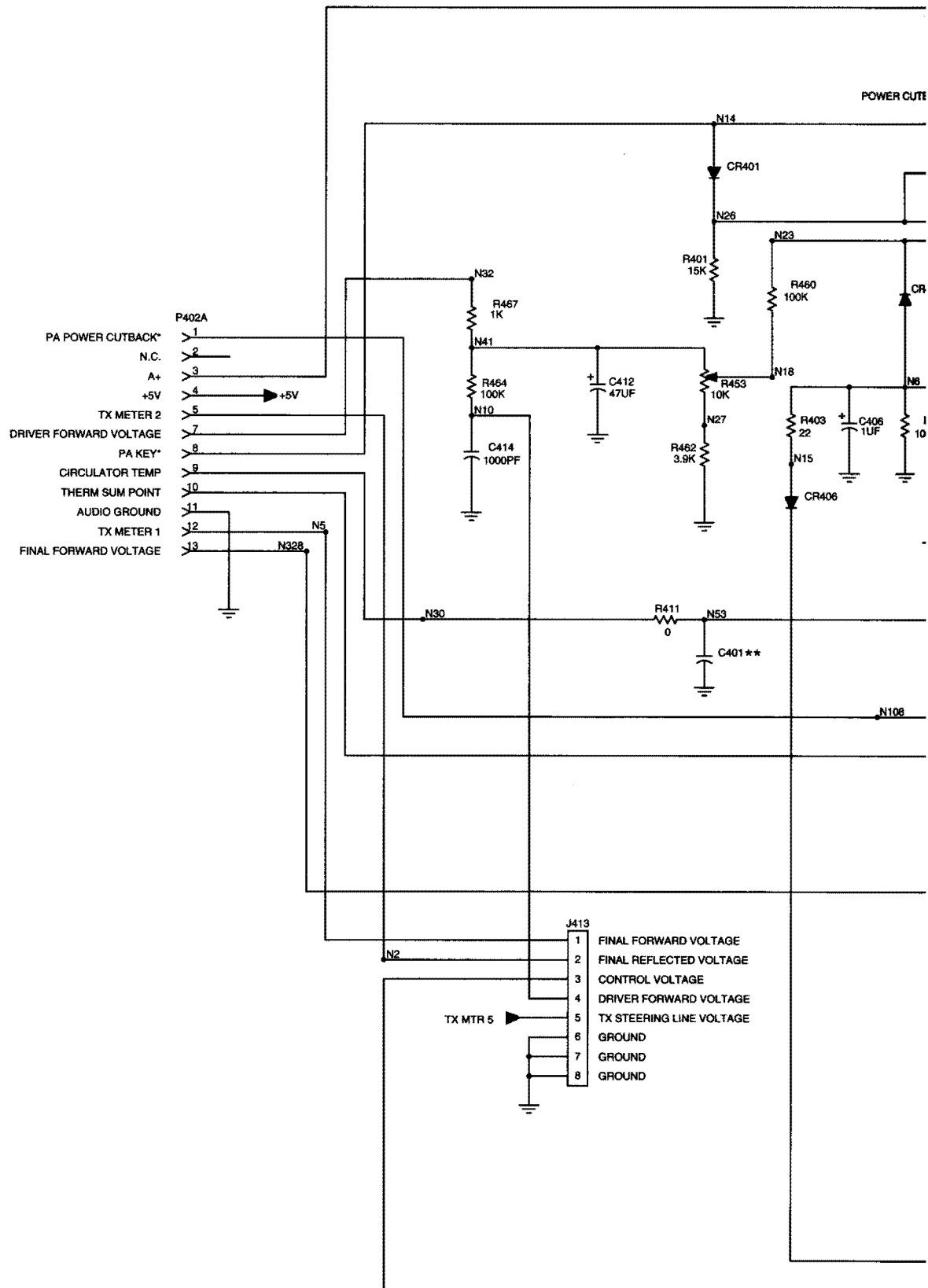


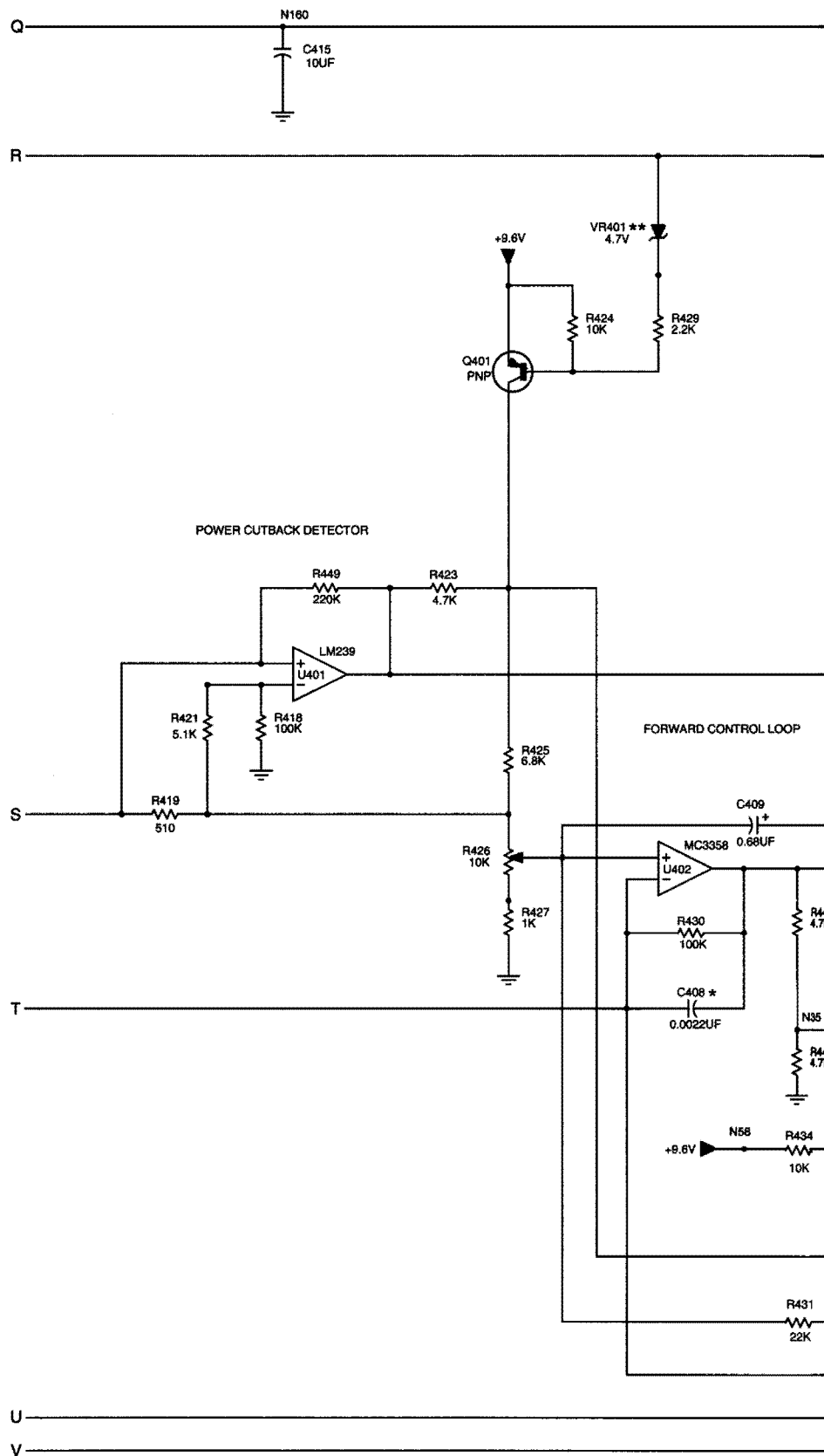


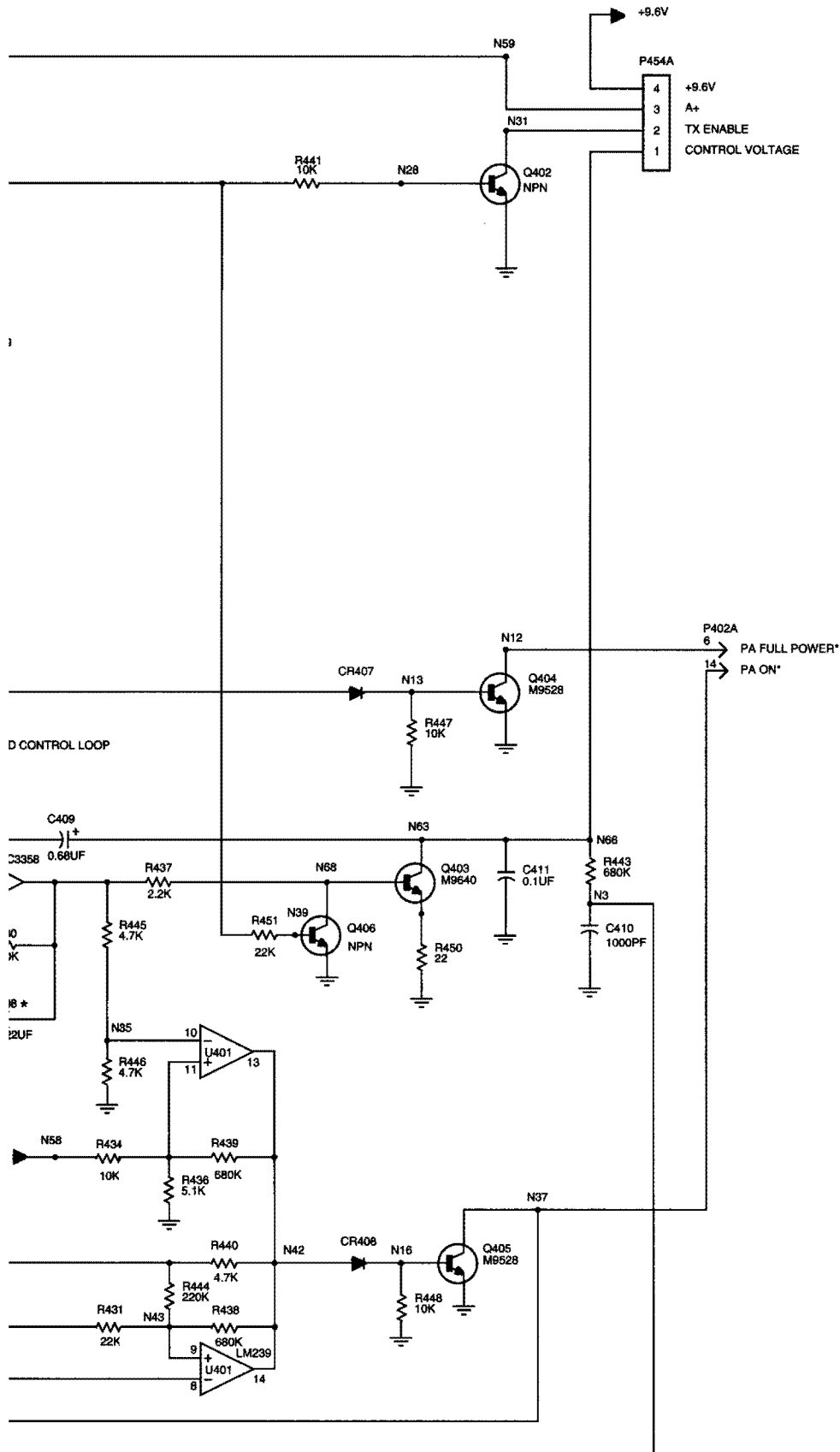












TRN7231 Uniboard Parts List

Reference Symbol	Motorola Part No.	Description	Reference Symbol	Motorola Part No.	Description
		capacitor, fixed:			
C199	2113741B45	0.01 uF, +/-5%; 50 V	C309	2113740B32	20 pF, +/-5%; 50 V
C200	2313748G08	10 uF, +/-20%; 16 V	C310	2113741B45	0.01 uF, +/-5%; 50 V
C201	2113741B45	0.01 uF, +/-5%; 50 V	C311	2113740B49	100 pF, +/-5%; 50 V
C202	2113740B47	82 pF, +/-5%; 50V	C313	2113740B49	100 pF, +/-5%; 50 V
C203	2113740B25	10 pF, +/-5%; 50 V	C319	2113740B49	100 pF, +/-5%; 50 V
C204	2182450B05	0.24 pF, +/-10%; 500V	C320	2113741B45	0.01 uF, +/-5%; 50 V
C205	2113740B05	1.5 pF, +/-0.25 pF; 50 V	C321	2113740B49	100 pF, +/-5%; 50 V
C206 thru 209	2113741B45	0.01 uF, +/-5%; 50 V	C322	2113740B09	2.2 pF, +/-0.25 pF; 50 V
C210	2113740B65	470 pF, +/-5%; 50 V	C323 thru 325	2113740B49	100 pF, +/-5%; 50 V
C211	2384538G06	47 uF, +/-20%; 20V	C326	2313748G18	47 uF, +/-20%; 25 V
C212	2113740B25	10 pF, +/-5%; 50 V	C327	2113740B49	100 pF, +/-5%; 50 V
C213	2113740B28	13 pF, +/-5%; 50V	C328	0811051A13	0.1 uF, +/-5%; 63 V
C214	2113740B09	2.2 pF, +/-0.25 pF; 50 V	C329,330	2113740B49	100 pF, +/-5%; 50 V
C216	2113740B01	1 pF, +/-0.25 pF; 50 V	C331	2113741B37	4700 pF, +/-5%; 50 V
C218	2113740B15	3.9 pF, +/-0.25 pF; 50 V	C332	2113740B80	2200 pF, +/-5%; 50V
C219	2113740B27	12 pF, +/-5%; 50 V	C333	2113741B37	4700 pF, +/-5%; 50 V
C220	2182450B33	0.56 pF, +/-5%; 500V	C334	2113740B49	100 pF, +/-5%; 50 V
C221	2113740B34	24 pF, +/-5%; 50V	C335	2313748G18	47 uF, +/-20%; 25 V
C223	2113740B27	12 pF, +/-5%; 50 V	C336	0811051A13	0.1 uF, +/-5%; 63 V
C224 thru 226	2113741B45	0.01 uF, +/-5%; 50 V	C337	2113740B49	100 pF, +/-5%; 50 V
C227	0811051A13	0.1 uF, +/-5%; 63 V	C338	2113741B45	0.01 uF, +/-5%; 50 V
C228	2113741B45	0.01 uF, +/-5%; 50 V	C339	2313748G18	47 uF, +/-20%; 25 V
C229	2113740B39	39 pF, +/-5%; 50 V	C340,341	2113740B49	100 pF, +/-5%; 50 V
C230	2113740B31	18 pF, +/-5%; 50 V	C343	2113741B41	6800 pF, +/-5%; 50 V
C236	2113740B15	3.9 pF, +/-0.25 pF; 50 V	C344	2313748G18	47 uF, +/-20%; 25 V
C237	2113740B27	12 pF, +/-5%; 50 V	C346	2113741B37	4700 pF, +/-5%; 50 V
C238	2182450B20	0.68 pF, +/-5%; 500V	C348	2183162H09	1000 pF, +/-5%; 25V
C239	2113740B15	3.9 pF, +/-0.25 pF; 50 V	C349	2113741B45	0.01 uF, +/-5%; 50 V
C240	2113740B28	13 pF, +/-5%; 50V	C350	2113740B49	100 pF, +/-5%; 50 V
C242 thru 244	2113741B45	0.01 uF, +/-5%; 50 V	C351	2113741B45	0.01 uF, +/-5%; 50 V
C245,246	2113740B25	10 pF, +/-5%; 50 V	C352	2311054L02	0.47 uF, +/-10%; 50 V
C247	0811051A13	0.1 uF, +/-5%; 63 V	C353	0883862M02	2 uF, +/-10%; 100 V
C248	2113740B21	6.8 pF, +/-0.25 pF; 50 V	C354	0811051A09	0.022 uF, +/-5%; 63 V
C249 thru 254	2113741B45	0.01 uF, +/-5%; 50 V	C356	2113740B21	6.8 pF, +/-0.25 pF; 50 V
C255,256	2113740B57	220 pF, +/-5%; 50 V	C357,358	2113740B49	100 pF, +/-5%; 50 V
C257	2313748G08	10 uF, +/-20%; 16 V	C359	2113741B69	0.1 uF, +/-5%; 50 V
C258,259	2113741B45	0.01 uF, +/-5%; 50 V	C360	2313748G08	10 uF, +/-20%; 16 V
C260,261	2113740B49	100 pF, +/-5%; 50 V	C361	2311054L14	4.7 uF, +/-10%; 50 V
C262	2113740B09	2.2 pF, +/-0.25 pF; 50 V	C362 thru 363	2313748G18	47 uF, +/-20%; 25 V
C263 thru 265	2113740B49	100 pF, +/-5%; 50 V	C364	2313748G06	4.7uF, +/-20%; 50V
C266	2313748G18	47 uF, +/-20%; 25 V	C365,366	2311054H08	10 uF, +/-10%; 25V
C267	2113740B49	100 pF, +/-5%; 50 V	C367	2113741B45	0.01 uF, +/-5%; 50 V
C268	0811051A13	0.1 uF, +/-5%; 63 V	C368	2313748G08	10 uF, +/-20%; 16 V
C269,270	2113740B49	100 pF, +/-5%; 50 V	C369	2313748G22	100 uF, +/-20%; 25 V
C271	2113741B37	4700 pF, +/-5%; 50 V	C370	2113741B45	0.01 uF, +/-5%; 50 V
C272	2113740B80	2200 pF, +/-5%; 50V	C371	2113740B49	100 pF, +/-5%; 50 V
C273	2113741B37	4700 pF, +/-5%; 50 V	C372	2113741B45	0.01 uF, +/-5%; 50 V
C274	2113740B49	100 pF, +/-5%; 50 V	C381,382	2113741B45	0.01 uF, +/-5%; 50 V
C275	2313748G18	47 uF, +/-20%; 25 V	C384	2113740B49	100 pF, +/-5%; 50 V
C276	0811051A13	0.1 uF, +/-5%; 63 V	C385	2113741B57	0.033 uF, +/-5%; 50 V
C277	2113740B49	100 pF, +/-5%; 50 V	C386	2113740B65	470 pF, +/-5%; 50 V
C278	2113741B45	0.01 uF, +/-5%; 50 V	C387	0811051A16	0.33 uF, +/-5%; 63V
C279	2313748G18	47 uF, +/-20%; 25 V	C388	2113740B49	100 pF, +/-5%; 50 V
C280 thru 282	2113740B49	100 pF, +/-5%; 50 V	C391	2113740B25	10 pF, +/-5%; 50 V
C283	2113741B41	6800 pF, +/-5%; 50 V	C392,393	0611077A58	220 ohms, +/-5%; 1/8 W
C284	2313748G18	47 uF, +/-20%; 25 V	C394	2113740B15	3.9 pF, +/-0.25 pF; 50 V
C286	2113741B37	4700 pF, +/-5%; 50 V	C395	2113740B49	100 pF, +/-5%; 50 V
C288	2183162H09	1000 pF, +/-5%; 25V	C397,398	2113740B49	100 pF, +/-5%; 50 V
C289	2113741B45	0.01 uF, +/-5%; 50 V	C405	2311054L04	0.68 uF, +/-10%; 50 V
C290	2113740B49	100 pF, +/-5%; 50 V	C406	2311054L06	1 uF, +/-10%; 50 V
C291	2113741B45	0.01 uF, +/-5%; 50 V	C408	0811017A03	2200 pF, +/-5%; 50 V
C292	0811051A14	0.15 uF, +/-5%; 63V	C409	2311054L04	0.68 uF, +/-10%; 50 V
C293	0883862M04	0.68 uF, +/-10%; 100V	C410	2113740B49	100 pF, +/-5%; 50 V
C294	0811051A11	0.047 uF, +/-5%; 63V	C411	0811051A13	0.1 uF, +/-5%; 63 V
C295,296	2113740B49	100 pF, +/-5%; 50 V	C412	2313748G16	47 uF, +/-20%; 10 V
C297,298	0611077A58	220 ohms, +/-5%; 1/8 W	C414	2113740B49	100 pF, +/-5%; 50 V
C299	2113740B49	100 pF, +/-5%; 50 V	C415	2313748G08	10 uF, +/-20%; 16 V
C305	2113741B69	0.1 uF, +/-5%; 50 V			
C306	2313748G08	10 uF, +/-20%; 16 V	CR260,261	4813833C07	Diode, dual 100 W
C307	2311054L14	4.7 uF, +/-10%; 50 V	CR262	4882139G01	germanium
C308	2313748G27	150 uF, +/-20%; 16V	CR320,321	4813833C07	Diode, dual 100 W
					diode: (see note)

TRN7231 Uniboard Parts List

Reference Symbol	Motorola Part No.	Description	Reference Symbol	Motorola Part No.	Description
CR401	4883654H01	silicon	Q402	4813824A10	NPN
CR404	4813833C10	0.1A, 70V	Q403	4800869640	NPN
CR405	4883654H01	silicon	Q404,405	4800869528	NPN
CR406,407	4813833C10	0.1A, 70V	Q406	4813824A10	NPN
CR408	4883654H01	silicon			
CR409	4813833C10	0.1A, 70V			
CR411	4883654H01	silicon			
		shield:			
E201 thru 206	2683696R01	SHIELD, coil	R201	0611077B25	120K, +/-5%; 1/8 W
E209	2683697R01	SHIELD, crystal	R202	0611077A88	3.9K, +/-5%; 1/8 W
E210	2683121N03	SHIELD, can: transmitter	R203	0611077A50	100 ohms, +/-5%; 1/8 W
E264	2683120N01	SHIELD, can: 18.42x47.63x26.67MM	R204,205	0611077A98	10K, +/-5%; 1/8 W
E322	2683122N04	Shield, can: 12.45 x 13.34 x 20.32MM	R206	0611077A42	47 ohms, +/-5%; 1/8 W
		connector:	R207	0611077A66	470 ohms, +/-5%; 1/8 W
J210	0983112N02	receptacle: 8-contact	R208	0611077B15	47K, +/-5%; 1/8 W
J264C	0180730E03	receiver VCO steering	R209	0611077A66	470 ohms, +/-5%; 1/8 W
J324C	0180730E02	transmitter VCO steering	R210	0611077B15	47K, +/-5%; 1/8 W
J413	0983112N02	receptacle: 8-contact	R211	0611077A66	470 ohms, +/-5%; 1/8 W
		inductor:	R212	0611077A42	47 ohms, +/-5%; 1/8 W
L201	2411047B31	1.8 UH	R213	0611077A54	150 ohms, +/-5%; 1/8 W
L202	2411047C53	15 UH	R214	0611077A58	220 ohms, +/-5%; 1/8 W
L203	2411047C58	24 UH	R215	0611077B15	47K, +/-5%; 1/8 W
L205,206	2411047C53	15 UH	R216	0611077A66	470 ohms, +/-5%; 1/8 W
L207	2411047C58	24 UH	R217	0611077B15	47K, +/-5%; 1/8 W
L208	2411047B58	24 UH	R218	0611077A70	680 ohms, +/-5%; 1/8 W
L209	2411047C53	15 UH	R219	0611077A42	47 ohms, +/-5%; 1/8 W
L210	2411047C58	24 UH	R220	0611077A90	4.7K, +/-5%; 1/8 W
L211,212	2411047B58	24 UH	R221	0611077A72	820 ohms, +/-5%; 1/8 W
L213	2411047C53	15 UH	R222	0611077A98	10K, +/-5%; 1/8 W
L261	2411030A06	7 turns	R223	0611077B29	180K, +/-5%; 1/8 W
L262	2411030A02	3 turns	R224	0611077B25	120K, +/-5%; 1/8 W
L263	2411047B11	0.27 UH	R225	0611077A74	1K, +/-5%; 1/8 W
L265	2411047A15	1.5 UH	R226	0611077B05	18K, +/-5%; 1/8 W
L266 thru 268	2411047A26	12 uH	R227	0611077A72	620 ohms, +/-5%; 1/8 W
L275	2411047A26	12 uH	R228	0611077A58	220 ohms, +/-5%; 1/8 W
L276	2411030A06	7 turns	R229	0611077B15	47K, +/-5%; 1/8 W
L278	2411047B23	0.82 uH	R258	0611077A35	24 ohms, +/-5%; 1/8 W
L321	2411030A06	7 turns	R260	0611077B13	39K, +/-5%; 1/8 W
L322	2411030A02	3 turns	R261	0611077A81	2K, +/-5%; 1/8 W
L323	2411047B11	0.27 UH	R262	0611077A84	2.7K, +/-5%; 1/8 W
L325	2411047A15	1.5 UH	R263	0611077A78	1.5K, +/-5%; 1/8 W
L326,327	2411047A26	12 uH	R264	0611077A44	56 ohms, +/-5%; 1/8 W
L328	2411047B11	0.27 UH	R265	0611077A98	10K, +/-5%; 1/8 W
L329	2411030A02	3 turns	R266	0611077A74	1K, +/-5%; 1/8 W
L330,331	2411047A26	12 uH	R267,268	0611077A90	4.7K, +/-5%; 1/8 W
L332	2411030C03	rf	R269	0611077A66	470 ohms, +/-5%; 1/8 W
L381 thru 383	2411047A26	12 uH	R270	0611077A90	4.7K, +/-5%; 1/8 W
		connector:	R271	0611077A66	470 ohms, +/-5%; 1/8 W
P101	3084158N01	CABLE ASSEMBLY, injection amplifier input: includes single contact receptacle co	R272	0611077A74	1K, +/-5%; 1/8 W
P201A	0983109N07	receptacle: 4-contact	R273	0611077A92	5.6K, +/-5%; 1/8 W
P262A	0983110N01	receptacle: 14-contact	R274	0611009A65	4.7K, +/-5%; 1/4 W
P322A	0983110N01	receptacle: 14-contact	R275	0611077A26	10 ohms, +/-5%; 1/8 W
P402A	0983110N01	receptacle: 14-contact	R276	0611077A54	150 ohms, +/-5%; 1/8 W
P454A	0983109N07	receptacle: 4-contact	R277	0611077A64	390 ohms, +/-5%; 1/8 W
		transistor: (see note)	R278	0611077A58	220 ohms, +/-5%; 1/8 W
Q201	4883865T01	Field Effect N-Channel Dual Gate	R279	0611077B15	47K, +/-5%; 1/8 W
Q202	4811056A08	PNP	R280	0611077A26	10 ohms, +/-5%; 1/8 W
Q261	4884411L83	NPN	R281	0611077A81	2K, +/-5%; 1/8 W
Q262	4813824D10	PNP	R282	0611077A84	2.7K, +/-5%; 1/8 W
Q263	4811056A08	PNP	R283	0611077B25	120K, +/-5%; 1/8 W
Q264	4811056B04	NPN 4811056A04	R284	0611077B30	200K, +/-5%; 1/8 W
Q265	4800869681	PNP	R285	0611077A92	5.6K, +/-5%; 1/8 W
Q321	4884411L83	NPN	R286	0611077A86	3.3K, +/-5%; 1/8 W
Q322	4813824D10	PNP	R293	0611077B07	22K, +/-5%; 1/8 W
Q323	4811056A08	PNP	R295	0611077B25	120K, +/-5%; 1/8 W
Q324	4811056B04	NPN 4811056A04	R318	0611077A35	24 ohms, +/-5%; 1/8 W
Q325	4800869681	PNP	R320	0611077B13	39K, +/-5%; 1/8 W
Q326	4800869870	NPN	R321	0611077A81	2K, +/-5%; 1/8 W
Q327	4813823D01	TSSTR N-CH RF JFET 2N5484RLRP	R322	0611077A84	2.7K, +/-5%; 1/8 W
Q401	4811056A08	PNP	R323	0611077A78	1.5K, +/-5%; 1/8 W
			R324	0611077A44	56 ohms, +/-5%; 1/8 W
			R325	0611077A98	10K, +/-5%; 1/8 W
			R326	0611077A74	1K, +/-5%; 1/8 W
			R327,328	0611077A90	4.7K, +/-5%; 1/8 W
			R329	0611077A66	470 ohms, +/-5%; 1/8 W
			R330	0611077A90	4.7K, +/-5%; 1/8 W
			R331	0611077A66	470 ohms, +/-5%; 1/8 W
			R332	0611077A74	1K, +/-5%; 1/8 W
			R333,334	0611077A90	4.7K, +/-5%; 1/8 W

TRN7231 Uniboard Parts List

Reference Symbol	Motorola Part No.	Description	Reference Symbol	Motorola Part No.	Description
R335	0611077A26	10 ohms, +/-5%; 1/8 W	R460	0611077B23	100K, +/-5%; 1/8 W
R336	0611077A54	150 ohms, +/-5%; 1/8 W	R462	0611077A01	0 ohm, +/-5%; 0 W
R337	0611077A72	820 ohms, +/-5%; 1/8 W	R463	0611077B45	820K, +/-5%; 1/8 W
R338	0611077A58	220 ohms, +/-5%; 1/8 W	R464	0611077B23	100K, +/-5%; 1/8 W
R339	0611077B15	47K, +/-5%; 1/8 W	R467	0611009A49	1K, +/-5%; 1/4 W
R340	0611077A26	10 ohms, +/-5%; 1/8 W			thermistor:
R341	0611077A81	2K, +/-5%; 1/8 W	RT261	0600858402	1K, +/-10%; 0 W
R342	0611077A84	2.7K, +/-5%; 1/8 W	RT321	0600858402	1K, +/-10%; 0 W
R343	0611009B10	330K, +/-5%; 1/4 W			integrated circuit: (see note)
R344	0611077B30	200K, +/-5%; 1/8 W	U201	5183222M13	3-Stage Differential Wide-Band Amplifier
R345	0611077A92	5.6K, +/-5%; 1/8 W	U202	5184320A78	IF Amplifier/Quadrature Phase Detector
R346	0611009A61	3.3K, +/-5%; 1/4 W	U261	5180235C10	3/4 Prescaler 520 MHZ
R347	0611077A42	47 ohms, +/-5%; 1/8 W	U262	5184768F63	Synthesizer
R348	0611077A84	2.7K, +/-5%; 1/8 W	U263	5183977M36	Sample and Hold Phase Detector
R349	0611077A50	100 ohms, +/-5%; 1/8 W	U264	5113806D21	analog switching multiplexer
R350	0611077A01	0 ohm, +/-5%; 0 W	U265	5184768F65	Low Noise Filter
R351	0611077A72	820 ohms, +/-5%; 1/8 W	U321	5180235C10	3/4 Prescaler 520 MHZ
R352	0611077A80	1.8K, +/-5%; 1/8 W	U322	5184768F63	Synthesizer
R353	0611072A32	200 ohms, +/-5%; 1/4 W	U323	5183977M36	Sample and Hold Phase Detector
R357	0611077A98	10K, +/-5%; 1/8 W	U324	5113806D21	analog switching multiplexer
R358	1882281V01	POT 9MM ROUND SNGL TURN 3319P	U325	5184768F65	Low Noise Filter
R359	0611077A66	470 ohms, +/-5%; 1/8 W	U326	5113819D04	General Purpose Differential Operational Amplifier
R360	0611009A99	120K, +/-5%; 1/4W	U381	5180291B02	referenced oscillator
R361	0611009A92	62K, +/-5%; 1/4W	U401	5184621K74	Comparator
R362	0611009A99	120K, +/-5%; 1/4W	U402	5184621K89	Dual Operational Amplifier
R363	0611077A57	200 ohms, +/-5%; 1/8 W			voltage regulator: (see note)
R364	0611009A33	220 ohms, +/-5%; 1/4 W	VR322	4882256C03	Zener 4.7V
R365	0611009A49	1K, +/-5%; 1/4 W	VR401	4882479V03	DIODE ZENER 5.1V
R366	0611009A73	10K, +/-5%; 1/4 W			cable assembly:
R367	0611009A75	12K, +/-5%; 1/4W	W102	0180751D84	injection input
R368	0611009A73	10K, +/-5%; 1/4 W	W103	0180721E56	VCO Out
R369	0611077A96	8.2K, +/-5%; 1/8 W	W105	0180798D03	IPA Input
R370	0611077B25	120K, +/-5%; 1/8 W	W106	0180721E56	VCO Out
R371	0611077A90	4.7K, +/-5%; 1/8 W			crystal: (see note)
R372	0611009A73	10K, +/-5%; 1/4 W	Y201	9180011E04	10.7 MHZ
R373	0611009A80	20K, +/-5%; 1/4W	Y202 thru 206	9180011E05	filter 10.7 MHZ
R374	0611009A99	120K, +/-5%; 1/4W			non-referenced items:
R375	0611077A01	0 ohm, +/-5%; 0 W	0400049854	WASHER, spacer	
R381	0611077A50	100 ohms, +/-5%; 1/8 W	0500136977	Eye .121 x .093	
R401	0611077B03	15K, +/-5%; 1/8 W	1485334U01	INSULATOR RUBBER (SILICON) (2 used)	
R403	0611077A34	22 ohms, +/-5%; 1/8 W	1583142M01	HOUSING, connector: 7-contact (2 used)	
R409	1882281V01	POT 9MM ROUND SNGL TURN 3319P	1584301K03	HOUSING, connector: 5-contact (2 used)	
R410	0611077F91	10K, +/-1%; 1/8 W	2683681R01	SHIELD, solder side:	
R411	0611077A01	0 ohm, +/-5%; 0 W		9.65x57.10x38.10MM (used with E211)	
R415	0611049D24	21.5K, +/-1%; 1/4 W	2683682R01	SHIELD, solder side:	
R417	0611077A90	4.7K, +/-5%; 1/8 W		9.65x33.02x35.56MM (used with E212)	
R418	0611077B23	100K, +/-5%; 1/8 W	2813922A07	HDR 7 POS STR .1 CTR GLD PLTD (used with J264C)	
R419	0611009A42	510 ohms, +/-5%; 1/4 W	2813922A07	HDR 7 POS STR .1 CTR GLD PLTD (used with J324C)	
R420	0611077A90	4.7K, +/-5%; 1/8 W		plug: phono (2 used)	
R421	0611009A66	5.1K, +/-5%; 1/4 W	2882365D02	2884302K01	Plug Key, polarized
R423	0611077A90	4.7K, +/-5%; 1/8 W	2980014A01	2980014A01	CLIP, coaxial (terminal) (used with W102)
R424	0611077A98	10K, +/-5%; 1/8 W	2980014A01	2980014A01	CLIP, coaxial (terminal) (used with W103)
R425	0611077A94	6.8K, +/-5%; 1/8W	2980014A01	2980014A01	CLIP, coaxial (terminal) (used with W105)
R426	1882281V02	POT 9MM ROUND SNGL TURN 3319W	3000859004	3000859004	CABLE, coaxial: type RG316/U (15.38 used)
R427	0611077A74	1K, +/-5%; 1/8 W			24STIVVI (2.76 used)
R429	0611009A57	2.2K, +/-5%; 1/4 W	3010286B09	3084204N01	CABLE, 4-conductor (11 used)
R430	0611077B23	100K, +/-5%; 1/8 W	3700132049	3700132049	TBG HS POLYOL 1/4 CLR
R431	0611077B07	22K, +/-5%; 1/8 W	3700132251	3700132251	tubing polyol. 3/16" (blk) (0.75 used)
R432	0611077B19	68K, +/-5%; 1/8W			
R433,434	0611077A98	10K, +/-5%; 1/8 W			
R435	0611077B07	22K, +/-5%; 1/8 W			
R436	0611077A91	5.1K, +/-5%; 1/8 W			
R437	0611009A57	2.2K, +/-5%; 1/4 W			
R438,439	0611077B43	680K, +/-5%; 1/8 W			
R440	0611009A65	4.7K, +/-5%; 1/4 W			
R441	0611009A73	10K, +/-5%; 1/4 W			
R442	0611077A94	6.8K, +/-5%; 1/8W			
R443	0611009B18	680K, +/-5%; 1/4 W			
R444	0611009B06	220K, +/-5%; 1/4 W			
R445,446	0611077A90	4.7K, +/-5%; 1/8 W			
R447,448	0611077A98	10K, +/-5%; 1/8 W			
R449	0611077B31	220K, +/-5%; 1/8 W			
R450	0611009A09	22 ohms, +/-5%; 1/4 W			
R451	0611077B07	22K, +/-5%; 1/8 W			
R453	1882281V01	POT 9MM ROUND SNGL TURN 3319P			

TRN7231 Uniboard Parts List

Reference Symbol	Motorola Part No.	Description
	3782603D60	SLVG HS POLYOL .125 BLK BLANK (2 used)
	3982717M01	CONTACT, receptacle (18 used)
	4284011N01	CLIP, coaxial cable restraint (2 used)
	5483865R01	Label, bar code: 1/4" wide, white
	5484960T01	Label, bar code: 6.3 x 12.7MM, white
	5584300B01	HANDLE: 3.52" lg (2 used)
	5584300B05	HANDLE: 1.37" lg (used with E211)
	5584300B05	HANDLE: 1.37" lg (used with E212)

Reference Symbol	Motorola Part No.	Description
------------------	-------------------	-------------

Note: For optimum performance, diodes, transistors, integrated circuits, and crystals must be ordered by Motorola part number.