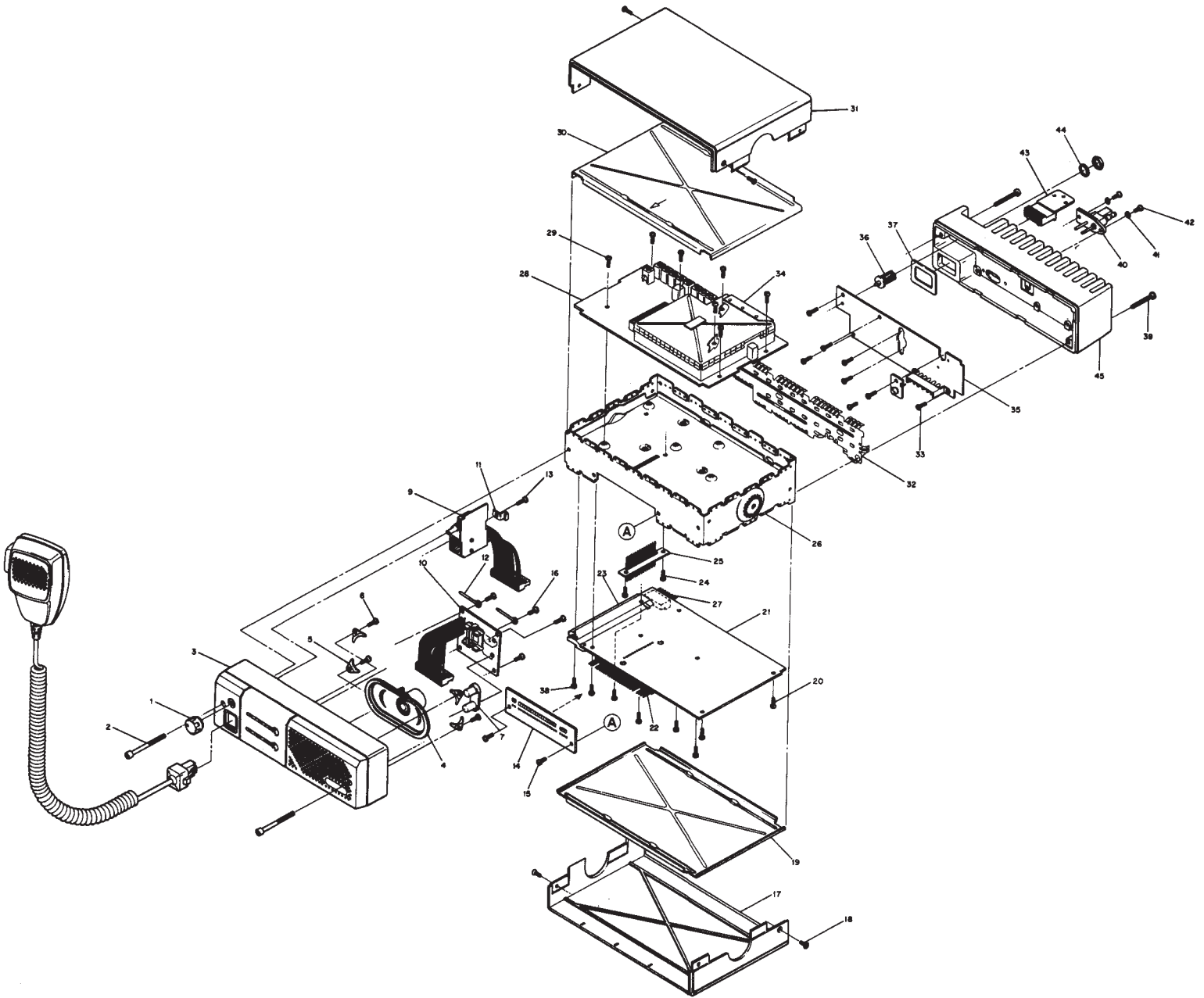


M10/M120/M130 Series

Parts List



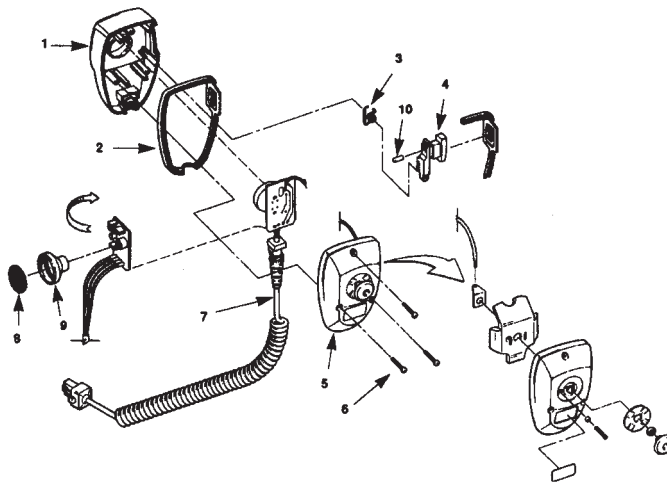
Replacement parts are no longer available

M10/M120/M130 Series

Parts List

REF. NO.	PART NO.	DESCRIPTION
1	3680106M03	Knob, control
2	0380270L01	Screw (M4 x 0.7 x 38) cap blk; 2 used
3	1580516B02	Housing, front-panel, 2 frequency
4	5004639J01	Speaker
5	4280253L01	Bracket, speaker; 4 used
6	0310945A11	Screw (M3 x 8.0) plastite; 4 used
7	7580541C01	Keypad, elastomeric, 2 frequency
9	HLN8071	Vol/Mic. PCB Assembly
10	HLN8439	Display PCB Assembly, 2 frequency
11	0780037M01	Bracket, PCB retainer
12	2900129883	Lug; 2 used
13	0310945A11	Screw (M3 x 8.0) plastite
14	0180704Y83	Front Panel Filter PCB
15	0310943M09	Screw (M3 x 6.0); 2 used
16	0310945A11	Screw (M3 x 8.0) plastite; 4 used
17	1580127L01	Cover, housing
18	0310943R55	Screw (M3 x 8.0); 4 used
19	0104001J47	Shield, chassis
20	0310943M09	Screw (M3 x 6.0); 6 used
21	---	Logic Board
22	2880600B02	Connector, 27 pin, J8 & J9
23	2680497B01	Heatsink, logic board

REF. NO.	PART NO.	DESCRIPTION
24	0310943M09	Screw (M3 x 6.0); 2 used
25	2804637J01	Feedthrough Assembly, RF/logic
26	2780496B01	Chassis
27	2880923V01	Connector, 16 pin
28	---	RF Board
29	0310943M09	Screw (M3 x 6.0); 7 used
30	0104001J47	Shield, chassis
31	1580127L01	Cover, housing
32	2680223M07	Shield, PA
33	0310943M10	Screw (M3 x 8.0); 8 used
34	2680229L03	Shield, VCO
35	---	
36	0980131M01	Antenna Connector, mini UHF
37	3280014N03	Gasket, accessory connector
38	0310943M10	Screw (M3 x 8.0); 2 used
39	0380271L01	Screw (M4 x 27); 2 used
40	0980255E01	Power Connector
41	0482418B09	Washer, power connector
42	0310943M11	Screw (M3 x 10); 2 used
43	0180701Y58	Connector Assembly
44	0480943V01	Lockwasher, antenna connector
45	2680124L03	Heatsink, PA



Microphone

REF. NO.	PART NO.	DESCRIPTION
1	1580566B02	Front Housing
2	3280565B01	Gasket, Microphone
3	4180150R01	Spring
4	3880568B01	PTT Button
5	0180704Y99	Rear Housing, riveted

REF. NO.	PART NO.	DESCRIPTION
6	0311994A23	Screws (5-20 x 7/8); 3 used
7	3080978Z03	Coil Cord, microphone
8	3580132R01	Felt, baffle, microphone
9	0580149R01	Grommet, microphone
10	7580983Z03	Rubber Spacer, switch

M10/M120/M130 Series

Mobile Accessories

General Accessories

HLN9457A Hardware Kit for use with the expanded accessory connector (includes 16 connector pins, (9) 8" wires with pins attached and an extra housing)

HLN9573A Shorting Plug Kit for microphone jack—used when application calls for a deskset (covers microphone jack)

Microphones

HMN3001A Compact Microphone with LED Indicator, 10 foot coil cord and hang-up clip



HMN1035C

HMN3596A Compact Palm Microphone with 7 foot coil cord

HMN1035C Heavy Duty Palm Microphone with 10.5 foot coil cord

HMN1037B Non-Backlit Touch-Code Microphone with Hang-Up Clip

HLN9073B Microphone Hang-Up Clip (all microphones)

HLN9559A 7 Foot Coil Cord for microphones (HMN1056 and HMN1035)

HLN9560A 10.5 Foot Extended Coil Cord for heavy duty microphones

AAREX4617A Telephone Style Headset Kit

Control Station Accessories

HKN4139A Power Cable for low control station 12V (1-45 watt models) for control stations shipped before 4/93

HLN3199C High Power Control Station Package (25-60 watt models)

HKN9455A Power Cable for high power control station (25-60 watt models) for control stations shipped before 4/93

HPN4002B Power Supply and Cable (1-25 watt)

HPN4001B Power Supply and Cable (25-60 watt models)

HMN3000B Desk Microphone, black

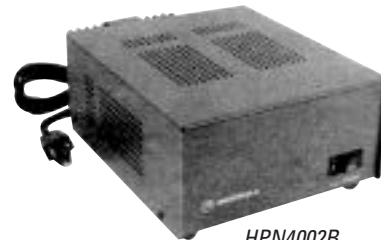
HMN1038E Desk Microphone, beige

HLN5292BR Base Station Tray

HKN9088B Mobile Mini-U Antenna Adapter—8 foot cable



HMN1038E



HPN4002B

M10/M120/M130 Series

Mobile Accessories

Public Address Accessories



HSN1000B

HKN9324BR 15 Foot Public Address/Speaker Cable (one cable per speaker)

HSN1000B 6 Watt Amplified External Speaker for public address audio (minimum of 1 required)

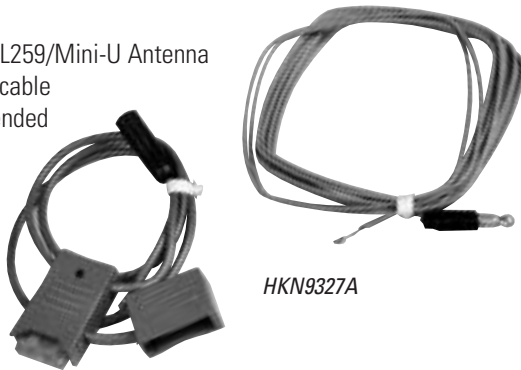
Installation Accessories

HKN4137A Low Power Cable to Battery

HKN4191B High Power Cable to Battery

HKN9327A Ignition Switch Cable (SM50/SM120/M1225 – requires HLN9242)

HKN9557A PL259/Mini-U Antenna Adapter—8" cable (not recommended for 800 MHz)



HKN9327A

2880376E84 Mini-U Connector (all bands)

Mounting Accessories

HLN9284A Key Lock Mounting Bracket

HLN5189A Non-Locking Bracket

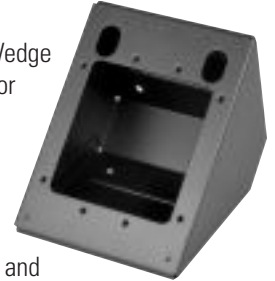
HLN8413A Slide Mount Tray Bracket for vehicle floor hump mount

HLN9404A Sleeve Mounting Bracket

HLN9450A 45-60 degree Floor Mount Wedge (M130 and GM300 – requires HLN9404 or HLN9100/M208-M216 – requires HLN9404)

HLN9100B Three Point Mounting Bracket (for use with HLN9450)

HLN5226B Extra Stability Mount (M130 and GM300—for use with HLN5189 —non-locking mounting bracket)



HLN9450A

HLN8097A Removable Slide Mount Tray Package (a maximum of two external accessory wires can be attached to the slide tray)

HLN8098A Radio Slide Mount Tray (vehicle half of the slide tray package— HLN8097)

HLN8099A Vehicle Slide Mount Tray (vehicle half of the slide tray package—HLN8097)



HLN8097A

HLN8144B Remote Mount Kit—8 foot (assumes use of power cable provided with radio)

HLN9027A In-Dash Bezel Mounting Kit

Alarm Accessories

HLN9328C External Alarm Relay Cable—horn and lights

M10/M120/M130 Series

Antennas, Service Tools

Antennas

VHF

HAD4007A VHF 1/4 Wave Roof Mount Antenna, 144-152 MHz

HAD4008A VHF 1/4 Wave Roof Mount Antenna, 150.8-162 MHz

HAD4009A VHF 1/4 Wave Roof Mount Antenna, 162-174 MHz

HAD4014A VHF 3 dB Gain Roof Mount Antenna, 140-174 MHz

UHF

HAE4003A UHF 1/4 Wave Roof Mount Antenna, 450-470 MHz

HAE4004A UHF 1/4 Wave Roof Mount Antenna, 470-512 MHz

HAE4011A UHF 3.5 dB Gain Roof Mount Antenna, 450-470 MHz

HAE4012A UHF 3.5 dB Gain Roof Mount Antenna, 470-495 MHz

HAE4013A UHF 3.5 dB Gain Roof Mount Antenna, 494-512 MHz

RAE4004ARB UHF 5 dB Gain Roof Mount Antenna, 450-470 MHz



Service Tools

Torque Screwdriver

Measures the amount of torque being applied. Recommended for precise radio assembly. Bits must be ordered separately.

RSX4043A Adjustable Torque Screwdriver



RSX4043A

Crimping Tool

For custom installations requiring crimping of Mini-UHF connector.

6680388A26 Crimping Tool



6680388A26

Test Adapter

Used to manually key radio. Must be attached to Program/Test Cable

RLN4137A Test Adapter



RLN4137A

Battery Cable Adapter

6680388A13 Side Mount Battery Cable Adapter



6680388A13

Antenna Adapter

5880367B22 Mini-UHF Adapter

2880376E84 Mini-UHF Connector



5880367B22

M10/M120/M130 Series

Service Aids, Manuals

Service Aids

Computer Interface Cable

Used to connect computer's serial port to Radio Interface Box.

3080369B71 Computer Interface Cable; RIB to 25 pin D

3080369B72 Computer Interface Cable; RIB to 9 pin D

Radio Interface Box

Links radio programming cable and computer interface together. Provides required voltage shift to enable communications between radio and computer. Requires computer interface cable, radio programming cable and a 9 volt snap type battery (6082728J01) or wall mount power supply, order separately.

RLN4008E Radio Interface Box



RLN4008E

Wall Mounted Power Supply

Used to supply power to Radio Interface Box.

0180357A57 Wall Mounted Power Supply (110 volts)

0180358A56 Wall Mounted Power Supply (220 volts)



0180357A57

Service Aids

Programming Software

This software enables you to add or reprogram frequencies as your requirements change. Compatible with IBM XT, AT, Model 30, 50, 60 and 80. Requires Radio Interface Box and proper cables; order separately.

HVN8177F Programming Software, includes diskettes (3-1/2" and 5-1/4"), manual, binder, and storage box. Programs GM300, GR300, GR500, M10, M120 and M130 radios.

Program/Test Cable

Acts as a link between RIB and radio; required to program radio.

3080070N01 Program/Test Cable

Power Supply Cable

HKN4191B Power Supply Cable, High Power (60 watt), replaces HKN9402A

HKN4137A Mobile Power Cable, Low Power (25 watt)

Manuals

6880903Z03	M10 Service Manual
6880903Z05	M10 Owner's Manual
6880902Z98	M120 Service Manual
6880902Z97	M120 Owner's Manual
6880902Z96	Operator's Card
6880903Z65	M130 Service Manual
6880903Z67	M130 RSS Manual