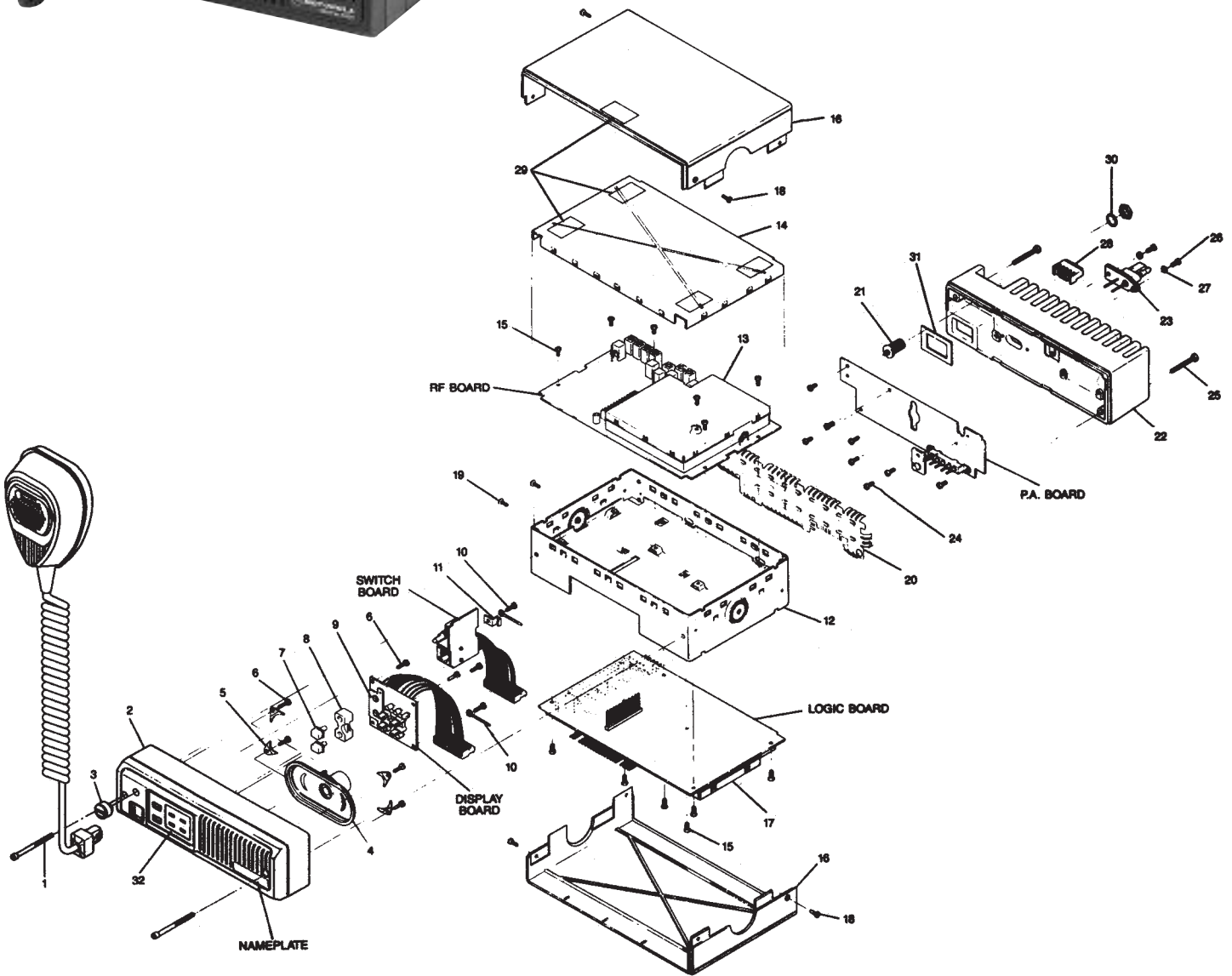


# MAXTRAC Series

## Parts List



# MAXTRAC Series

## Parts List

### MaxTrac 50/100 and 820 Series

REF. NO.	PART NO.	DESCRIPTION
1	<b>0380270L01</b>	Front Mounting Screws; 2 used
2	<b>1580129L01</b>	Control Head Housing
3	<b>3680144M01</b>	Control Knob
4	<b>5080085D02</b>	Speaker
5	<b>4280253L01</b>	Speaker Retainer; 4 used
6	<b>0310945A11</b>	Plastic Screw; 9 used
7	<b>3880272L02</b>	Push Button; 2 used
8	<b>4380273L01</b>	Push Button Spacer
9	<b>7580200L01</b>	Keypad
10	<b>2900129883</b>	Wire Wrap; 2 used
11	<b>0780037M01</b>	Bracket, switch board
12	<b>2780128L04</b>	Chassis Frame
13	<b>1580953T01</b>	Cover, VCO shield
14	<b>2680038M03</b>	Shield, chassis RF
15	<b>0310943M09</b>	Taptite Screw (M3 x 6); 12 used
16	<b>1580127L01</b>	Cover, housing; 2 used
17	<b>1580124M01</b>	Cover, logic shield
18	<b>0310943R55</b>	Taptite Screw (M3 x 8, flathead); 4 used
19	<b>0310943R04</b>	Taptite Screw (M2.5 x 8, flathead); 2 used

REF. NO.	PART NO.	DESCRIPTION
20	<b>2680223M05</b>	Shield, PA, VHF & UHF
20	<b>2680223M05</b>	Shield, PA, 800 MHz
21	<b>0980131M01</b>	Connector, antenna
22	<b>2680124L03</b>	Heatsink, UHF & VHF
22	<b>2680124L02</b>	Heatsink, 800 MHz
23	<b>0980255E01</b>	Connector, power
24	<b>0310943M10</b>	Taptite Screw (M3 x 8); 8 used
25	<b>0380271L01</b>	Machine Screw (M4 x 17); 2 used
26	<b>0380043L01</b>	Taptite Screw (M3 x 10); 2 used
27	<b>0400131974</b>	Washer; 2 used
28	<b>1580076M01</b>	Housing, accessory connector
29	<b>7580918T02</b>	Pad, shock insulating; 5 used
30	<b>0400002636</b>	Washer, int loc
31	<b>3280014N03</b>	Gasket, accessory connector
32	<b>1380276L02</b>	Escutcheon, 2 frequency

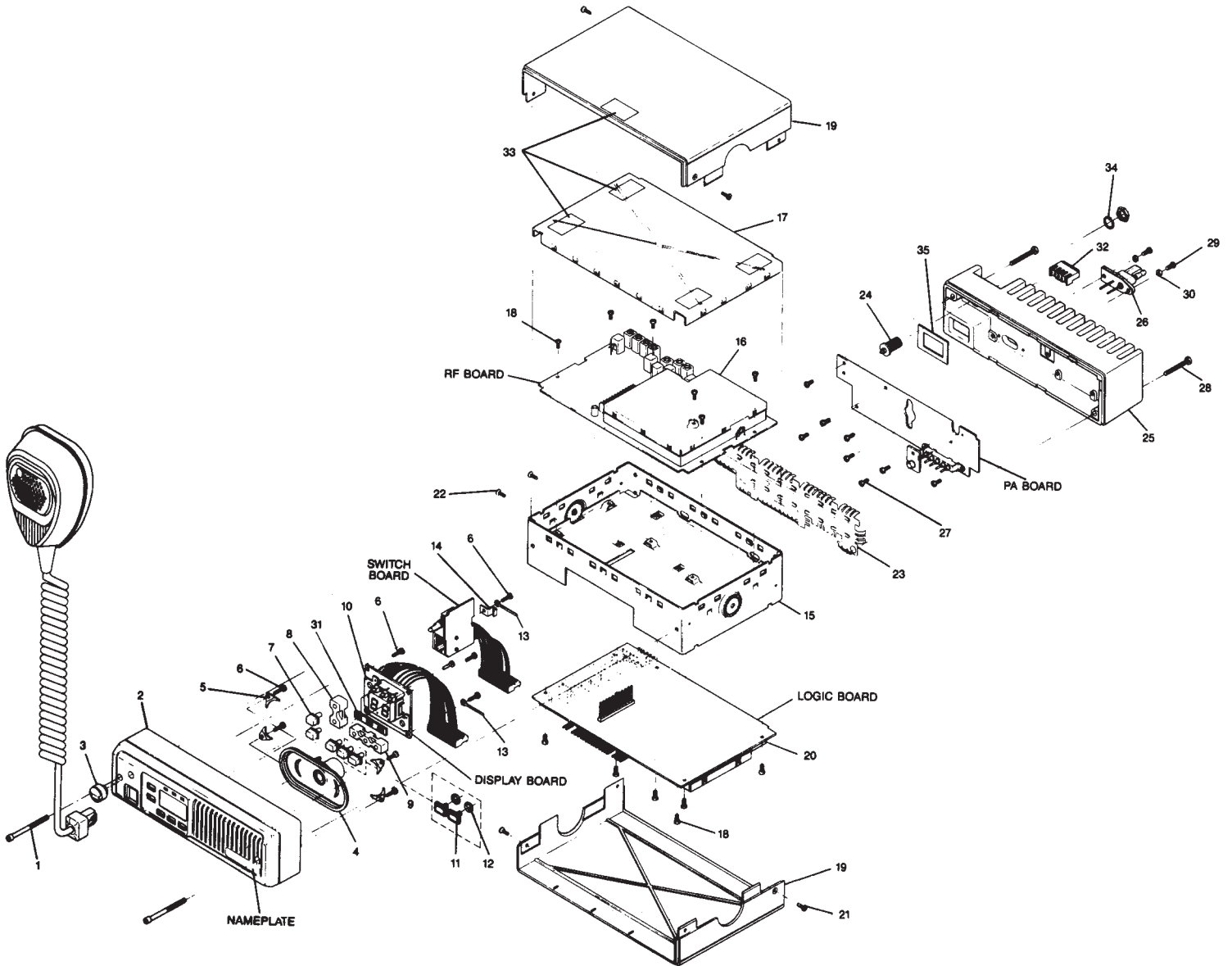
#### NON-REFERENCED ITEMS:

<b>HLN5184</b>	Switchboard
<b>3380017N14</b>	Nameplate



# MAXTRAC Series

## Parts List



# MAXTRAC Series

## Parts List

### MaxTrac 300 and 840 Series

REF. NO.	PART NO.	DESCRIPTION
1	<b>0380270L01</b>	Front Mounting Screws; 2 used
2	<b>1580129L01</b>	Control Head Housing
3	<b>3680144M01</b>	Control Knob
4	<b>5080085D02</b>	Speaker
5	<b>4280253L01</b>	Speaker Retainer; 4 used
6	<b>0310945A11</b>	Plastic Screw; 9 used
7	<b>3880272L02</b>	Push Button (6 freq. models); 3 used (16 freq. models); 5 used
8	---	Push Button Spacer (1 x 2)
9	<b>4380275L01</b>	Push Button Spacer (1 x 3)
10	<b>7580201L01</b>	Keypad
11	<b>3880077N01</b>	Button Plug; 2 used
12	<b>3280907T01</b>	Gasket (6 freq. models only); 2 used
13	<b>2900129883</b>	Wire Wrap; 2 used
14	<b>0780037M01</b>	Bracket Switch Board
15	<b>2780128L04</b>	Chassis Frame
16	<b>1580953T01</b>	Cover, VCO shield
17	<b>2680038M03</b>	Shield, chassis, RF
18	<b>0310943M09</b>	Taptite Screw (M3 x 6); 12 used
19	<b>1580127L01</b>	Cover, housing; 2 used
20	<b>1580124M01</b>	Cover, logic shield
21	<b>0310943R55</b>	Taptite Screw (M3 x 8, flathead); 4 used
22	<b>0310943R04</b>	Taptite Screw (M2.5 x 8, flathead); 2 used

REF. NO.	PART NO.	DESCRIPTION
23	<b>2680223M05</b>	Shield, PA, VHF & UHF
23	<b>2680223M05</b>	Shield, PA, 800 MHz
24	<b>0980131M01</b>	Connector, antenna
25	<b>2680124L03</b>	Heatsink, UHF & VHF
25	<b>2680124L02</b>	Heatsink, 800 MHz
26	<b>0980255E01</b>	Connector, power
27	<b>0310943M10</b>	Taptite Screw (M3 x 3); 8 used
28	<b>0380271L01</b>	Machine Screw (M4 x 27); 2 used
29	<b>0380043L01</b>	Taptite Screw (M3 x 10); 2 used
30	<b>0400131974</b>	Washer; 2 used
31	<b>3280039M01</b>	Gasket
32	<b>1580076M01</b>	Housing, accessory connector
33	<b>7580918T02</b>	Pad, shock insulating; 5 used
34	<b>0400002636</b>	Washer, int loc
35	<b>3280014N03</b>	Gasket, accessory connector
36	<b>1380277L01</b>	Escutcheon (16 freq. models)

#### NON-REFERENCED ITEMS:

<b>HLN5184</b>	Switchboard
<b>3380017N14</b>	Nameplate

*NOTE: The part number for the speaker lead assembly, including connector P10 and two lugs, is 0180747T30.*



## MAXTRAC Series

## Mobile Accessories

### Microphones

**HMN1035C** Palm Microphone, full size

**HMN1056D** Compact Palm Microphone

**HMN4016A** Noise Canceling Microphone, screens out background noise



HMN1035C



HMN1037B

**HMN1037B** Non-Backlit DTMF Microphone for 100/300 models

**HMN3013A** Non-Backlit DTMF Microphone for 1820/840 models

### Microphone Accessories

**HLN9073B** Microphone Hand-Up Clip

**HLN9559A** 7' Coil Cord for microphones HMN1035 and HMN1056

**HLN9560A** 10.5' Coil Cord for microphones HMN1035 and HMN1056

### Speakers



HSN4019B

Provides a separate speaker for high noise environments.

**HSN4019B** External Speaker, 5 watt (requires 5 pin options connector)

**HSN9326A** External Speaker, 5 watt (requires 16 pin options connector)

### Public Address Accessories

**HLN3145CR** Public Address Kit, control switch panel for public address with cables (requires HSN1000B)

**HSN1000B** Public Address Speaker, 6 watt

**HKN9324AR** Speaker Cable, public address, 15 ft.

### Mounting Hardware

Multiple mounting options are available. Key lock mount secures the radio with a two-piece detachable trunnion that locks together. Extra stability mount provides added stability to help protect your radio from high vibration environments. Standard and floor mounts also available.

**HLN9637A** Key Lock Mount (for lowband and 800 MHz)

**HLN5226B** Extra Stability Mount, used with non-locking trunnion

**HLN5189A** Non-locking Trunnion (for 820/840 series only)

**HLN9450A** Floor Mount, 45 Degrees/60 Degrees Wedge (for 100/300 model only)

**HLN9404A** Installation Sleeve Mounting Hardware (for 35 and 60 watt and low band models) for use with HLN9450A

### Quick Release Slide Mount

The quick release slide mounts are easy to install and are available with a variety of mounting brackets which allow installation in any location within a vehicle.

**RLN4091A** Slide Mount Kit; includes vehicle mount (RLN4092A), radio mount (RLN4093A), and mounting hardware

**RLN4092A** Vehicle Mount Only, with hardware

**RLN4093A** Radio Mount Only, with hardware

**RLN4094A** Bracket for high power/lowband radio

**RLN4077A** Angle Bracket with 20 degrees Fixed Angle and 50 Degrees Swivel

**RLN4078A** Flat Bracket with 50 Degrees Swivel

## MAXTRAC Series

## Mobile Accessories

### Ignition Switch Cable

**HKN4284A** Ignition Switch Cable (5 pin connector)

**HKN9327A** Ignition Switch Cable (16 pin connector)



HKN9327A

### Control Station Kits



HLN3199C

Allows you to operate the radio from the convenience of your desktop. Control Station Package includes: power supply, adapter cable, black desk microphone and base tray.

**HLN3199C** High Power Control Station Package (25-60 watt models)

### Alarm Accessories

**HLN9328C** External Alarm Relay Cable, (MAXTRAC 300—16 pin connector and 800 MHz display models only)

**HLN9374C** External Alarm Relay Cable, (MAXTRAC 100—5 pin connector and 800 MHz non-display models and 900 MHz models)

**RLN5132A** Emergency Alarm Pushbutton

**HLN9330B** Emergency Alarm Footswitch



HLN9330B

### Control Station Accessories

**HPN4002B** Power Supply (1- 25 watt)

**HPN4001B** Power Supply (25-60 watt)

**HMN3000B** Standard Desktop Microphone, black

**HMN1038E** Desktop Microphone, beige

**HLN5292BR** Base Station Tray

**HKN4139A** Power Cable for low power control station

**HKN9455A** Power Cable for high power control station



HPN4002B



HLN5292BR

*NOTE: Accessories are available for all MAXTRAC series radios unless otherwise specified.*



## MAXTRAC Series

## Antennas, Service Tools

### Antennas

#### 800 MHz

**HAF4002A** 1/4 Wave, roof top (806-900 MHz)

**RRA4983A** 3dB, roof top (806-900 MHz)

#### 900 MHz

**RRA4935A** 3dB, roof top w/14 ft. cable (890-960 MHz)

**RAF4003ARM** 3dB, roof top w/22 ft. cable (860-960 MHz)

#### VHF

**HAD4006A** 1/4 Wave, roof top (136-144 MHz)

**HAD4007A** 1/4 Wave, roof top (144-152 MHz)

**HAD4008A** 1/4 Wave, roof top (150.8-162 MHz)

**HAD4009A** 1/4 Wave, roof top (162-174 MHz)

**RAD4010ARB** 3dB, roof top (136-174 MHz)

#### UHF

**HAE4002A** 1/4 Wave, roof top (403-430 MHz)

**HAE4003A** 1/4 Wave, roof top (450-470 MHz)

**HAE4004A** 1/4 Wave, roof top (470-512 MHz)

**HAE4010A** 3.5dB, roof top (406-420 MHz)

**HAE4011A** 3.5dB, roof top (450-470 MHz)

**HAE4012A** 3.5dB, roof top (470-495 MHz)

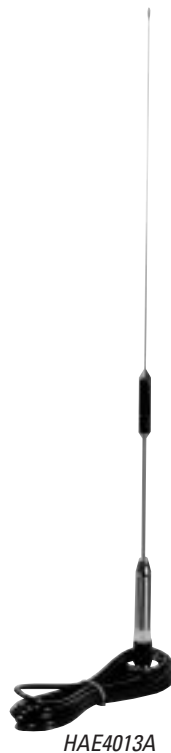
**HAE4013A** 3.5dB, roof top (494-512 MHz)

#### Low Band

**RAB4002ARB** 1/4 Wave Base Loaded Antenna (29.7-36.0 MHz)

**RAB4003ARB** 1/4 Wave Base Loaded Antenna (36-42 MHz)

**RAB4004ARB** 1/4 Wave Base Loaded Antenna (42-50 MHz)



HAE4013A

### Antenna Adapter

**5880367B22** Mini-UHF to UHF Antenna Adapter

**2880376E84** Mini-UHF Antenna Connector

### Miscellaneous

**HLN9457A** Accessory Plug and 16 Pins

**HKN9557A** Mini-UHF Adapter Cable

### Service Tools



RSX4043A

#### Torque Screwdriver

Measures the amount of torque being applied. Recommended for precise radio assembly. Bits must be ordered separately.

**RSX4043A** Adjustable Torque Screwdriver

**6680387A72** T-8 Torx Bit

**6680387A74** T-10 Torx Bit

**6680387A75** T-15 Torx Bit

**6680387A77** T-25 Torx Bit

#### Insertion and Extraction Tool

**6680163F01** Installs and/or removes wires from accessory connector.



6680163F01

#### Crimping Tool

**6680388A26** For custom installations requiring crimping of Mini-UHF connector.



6680388A26

### Battery Cable Adapter



6680388A13

**6680388A13** Side Mount Battery Cable Adapter

## MAXTRAC Series

## Service Aids, Manuals

### Service Aids

#### Radio Interface Box

Links radio programming cable and computer interface together. Provides required voltage shift to enable communications between radio and computer. Requires computer interface cable, radio programming cable, and a 9 volt snap type battery (6082728J01) or wall mount power supply, order separately.

**RLN4008E** Radio Interface Box



RLN4008E

#### Test Adapter

Used to manually key radio. Must be attached to Program/Test Cable

**RLN4137A** Test Adapter



RLN4137A



0180357A57

#### Wall Mount Power Supply

Used to supply power to Radio Interface Box.

**0180357A57** Wall Mounted Power Supply (110 volts)

**0180358A56** Wall Mounted Power Supply (220 volts)

#### Program/Test Cable

**3080070N01** Required to program radio; acts as a link between Radio Interface Box and radio.

### Service Aids

#### Computer Interface Cable

Used to connect computer's serial adapter to Radio Interface Box.

**3080369B71** Computer Interface Cable; RIB to 25 pin D

**3080369B72** Computer Interface Cable; RIB to 9 pin D

#### VCO Test Cable

Provides interface between RF board and test equipment.

**3080373B41** VCO Test Cable

#### Programming Software

Utilizing your personal computer, this software enables you to add/or reprogram frequencies as your requirements change. Compatible with IBM XT, AT, Model 30, 50, 60 and 80. Requires Radio Interface Box and proper cables; order separately.

#### Conventional

**RVN4019K** Programming Software, 3-1/2" Diskette, Includes Binder and Manual.

#### Duplex, Trunked

**RVN4043P** Programming Software, 3-1/2" Diskette. Includes Binder and Manual.

### Service Manuals

**6880102W84** Service Manual, Low, UHF, VHF, and 800 MHz

