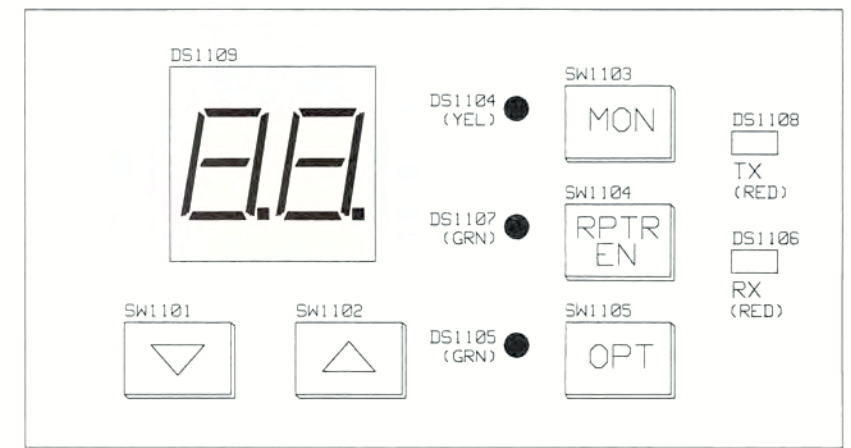
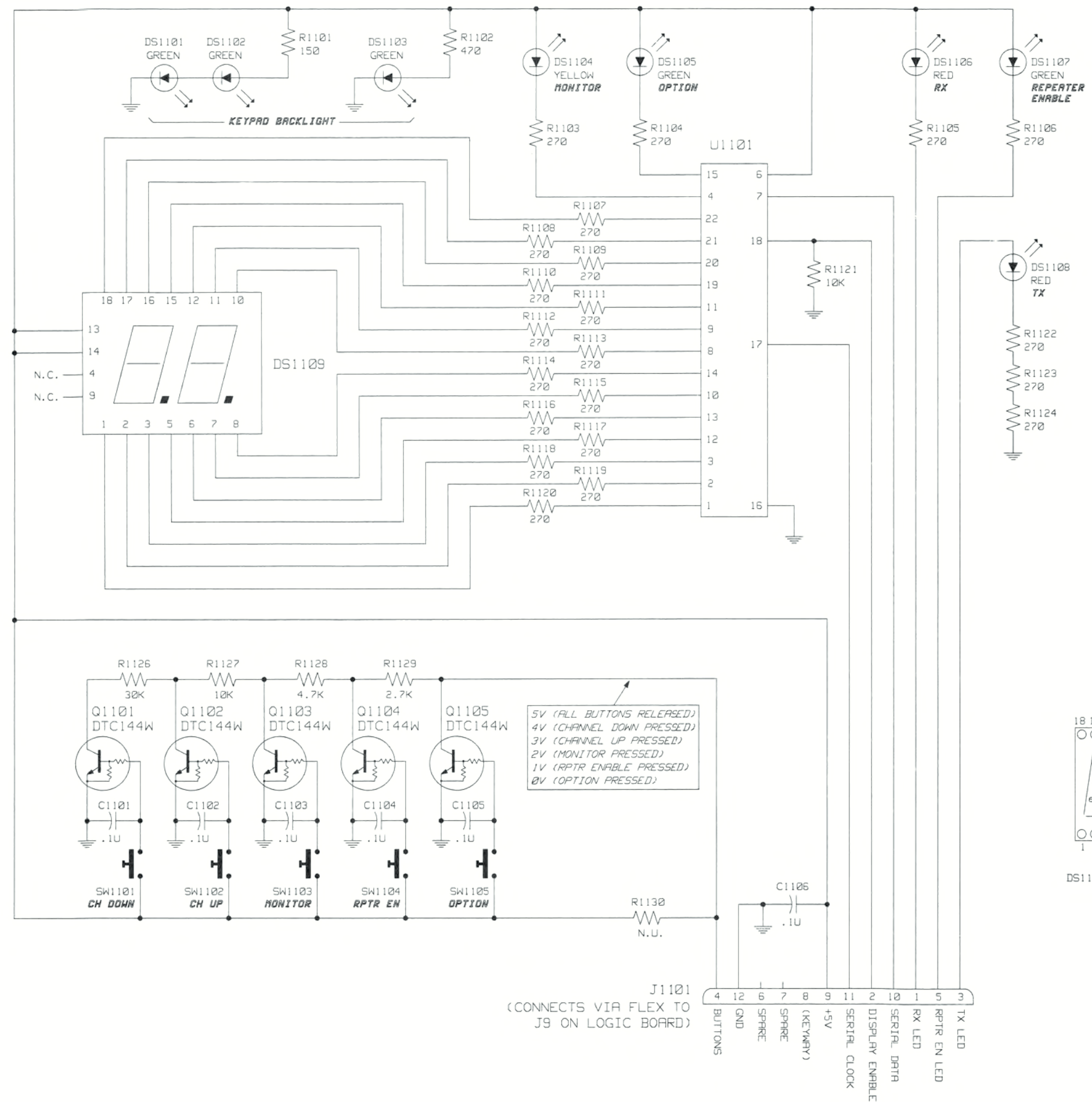


# Parts List

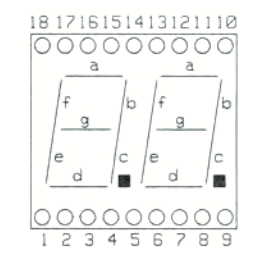
HLN9502A Display Board PL-971043-O

REFERENCE SYMBOL	MOTOROLA PART NO.	DESCRIPTION
C1101 thru 1106	21-13743E20	capacitor, chip: unless otherwise stated 0.1 uF 10%, 16 V
DS1101 thru 1103	48-82565T07	displays and indicators: diode LED GRN
DS1104	48-82565T06	diode LED YEL
DS1105	48-82565T07	diode LED GRN
DS1106	48-82565T05	diode LED RED
DS1107	48-82565T07	diode LED GRN
DS1108	48-82565T05	diode LED RED
DS1109	48-80055M01	dual 7 segment LED
J1101	28-80129R05	connector, receptacle: 12-pin (pin 8 removed)
Q1101 thru 1105	48-80947V01	transistor: (see note) digital NPN; type DTC144W
R1101	06-62057A29	resistor, chip: +/-5%; 1/16 W: unless otherwise stated 150
R1102	06-62057A41	470
R1103 thru 1120	06-62057A35	270
R1121	06-62057A73	10k
R1122 thru 1124	06-62057A35	270
R1126	06-62057A84	30k
R1127	06-62057A73	10k
R1128	06-62057A65	4.7k
R1129	06-62057A59	2.7k
R1130	---	Not Used
U1101	51-84437N25	integrated circuit: (see note) driver, serial to parallel

**note:** For optimum performance, diodes, transistors, and integrated circuits must be ordered by Motorola part numbers.



PUSHBUTTON AND INDICATOR LAYOUT



PIN	ASSIGNMENT
1	CATHODE e1
2	CATHODE d1
3	CATHODE c1
4	CATHODE dp1
5	CATHODE e2
6	CATHODE d2
7	CATHODE g2
8	CATHODE c2
9	CATHODE dp2
10	CATHODE b2
11	CATHODE a2
12	CATHODE f2
13	ANODE digit 2
14	ANODE digit 1
15	CATHODE b1
16	CATHODE a1
17	CATHODE g1
18	CATHODE f1

Schematic Diagram and Parts List for Display Board