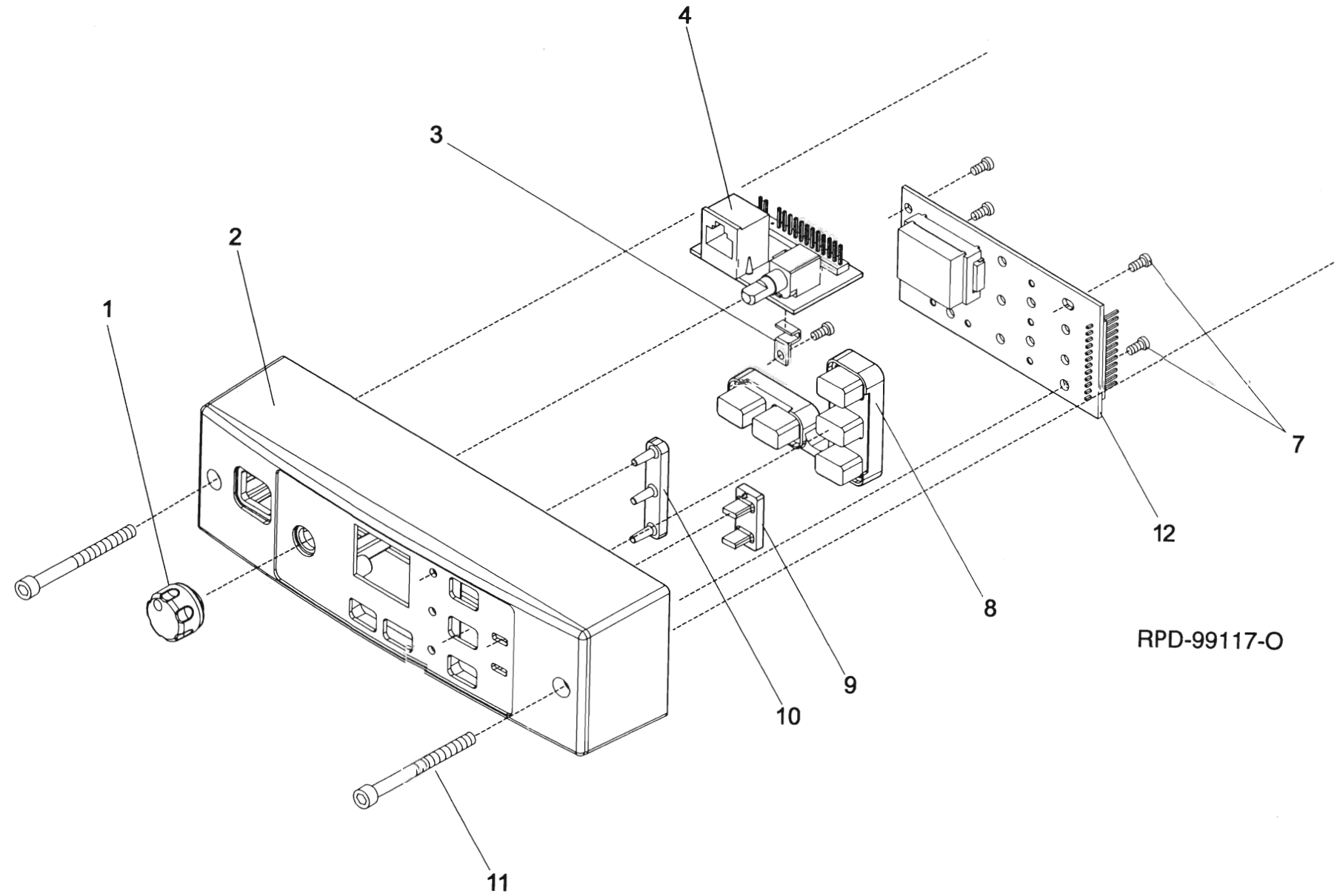


# Parts List

R1225 Control Head Assembly, Mechanical

PL-991010-O

REFERENCE SYMBOL	MOTOROLA PART NO.	DESCRIPTION
1	3680106M03	KNOB
2	1580668U01	HOUSING, control head
3	0780037M01	BRACKET, PC board retainer
4	HLN9509	BOARD, volume
8	7580471U01	KEYPAD
9	6180491U01	LIGHTPIPE
10	6180491U02	LIGHTPIPE
11	0380270L01	SCREW, cap; 2 used
12	HLN9502	BOARD, display
<b>non-referenced items</b>		
	1380670U01	ESCUTCHEON
	3080519U03	CABLE, ribbon, 12-pin
	3080519U04	CABLE, ribbon, 15-pin



Exploded View and Parts Lists for  
Control Head Assembly