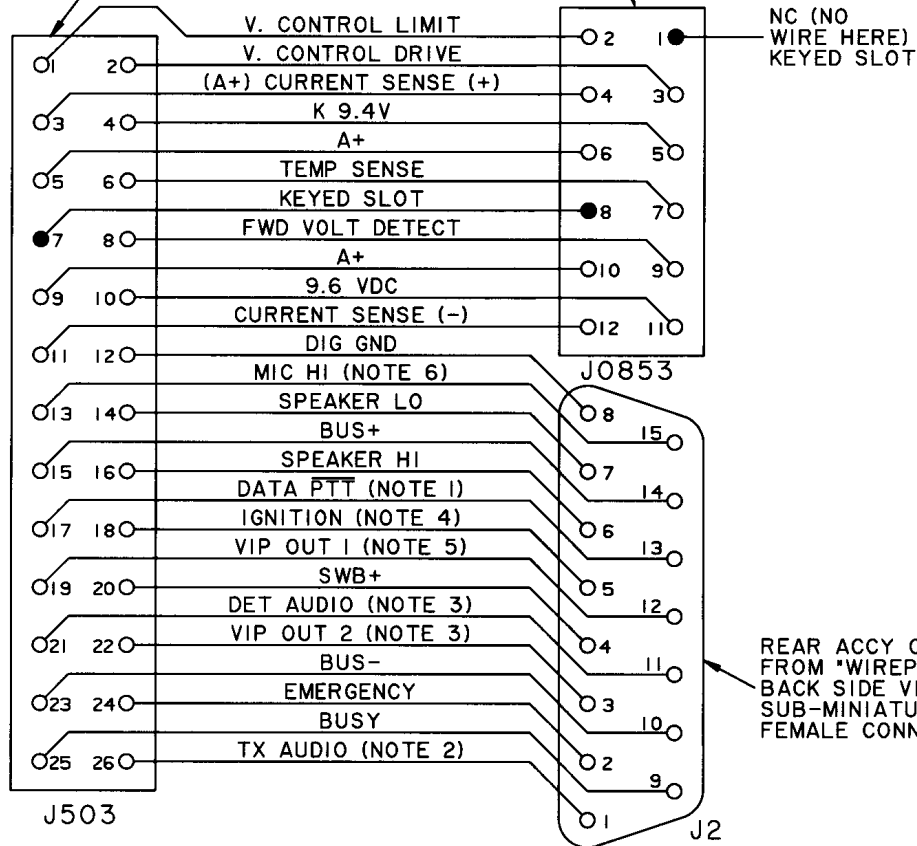


RIBBON CABLE

COMMAND BD. RFPA/ACCY
CONN. SHOWN FROM
"WIRE PRESSED" BACKSIDE VIEW
26 PIN FEMALE RIBBON CONN.

RFPA CONN. SHOWN FROM
FEMALE PIN FRONTSIDE VIEW
12 PIN FEMALE RIBBON CONN.

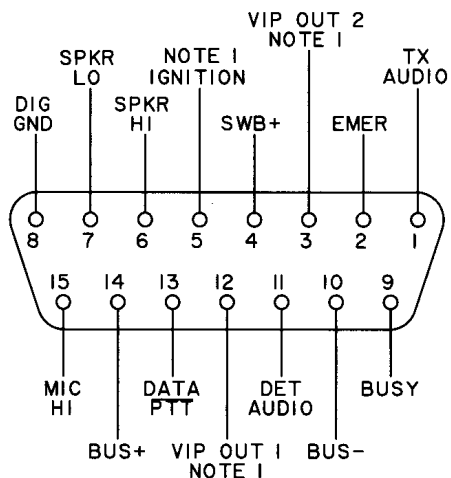


NOTES:

1. SWB+ SENSE IN "SP" CUSTOMER APPLICATIONS.
2. SERIAL BUS RESET IN "SP" CUSTOMER APPLICATIONS.
3. VOICE INHIBIT IN "SP" CUSTOMER APPLICATIONS.
4. SWB+ IN "SP" CUSTOMER APPLICATIONS.
5. DATA INHIBIT IN "SP" CUSTOMER APPLICATIONS.
6. GROUND OR SERIAL BUS RESET IN "SP" CUSTOMER APPLICATIONS.

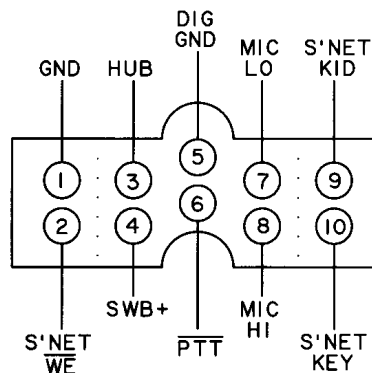
REAR ACCESSORY CONNECTOR

J2



MICROPHONE JACK

P104



DETAIL SHOWN FROM CONTROL UNIT
FRONT VIEW
(MALE PIN VIEW)

NOTES:

1. FUNCTIONAL ONLY IN DASH-MOUNT CONFIGURATION, N.C. IN REMOTE-MOUNT CONFIGURATION.