

RFPA/ACCTY CONN

RADIO CONN

OPT ION CONN

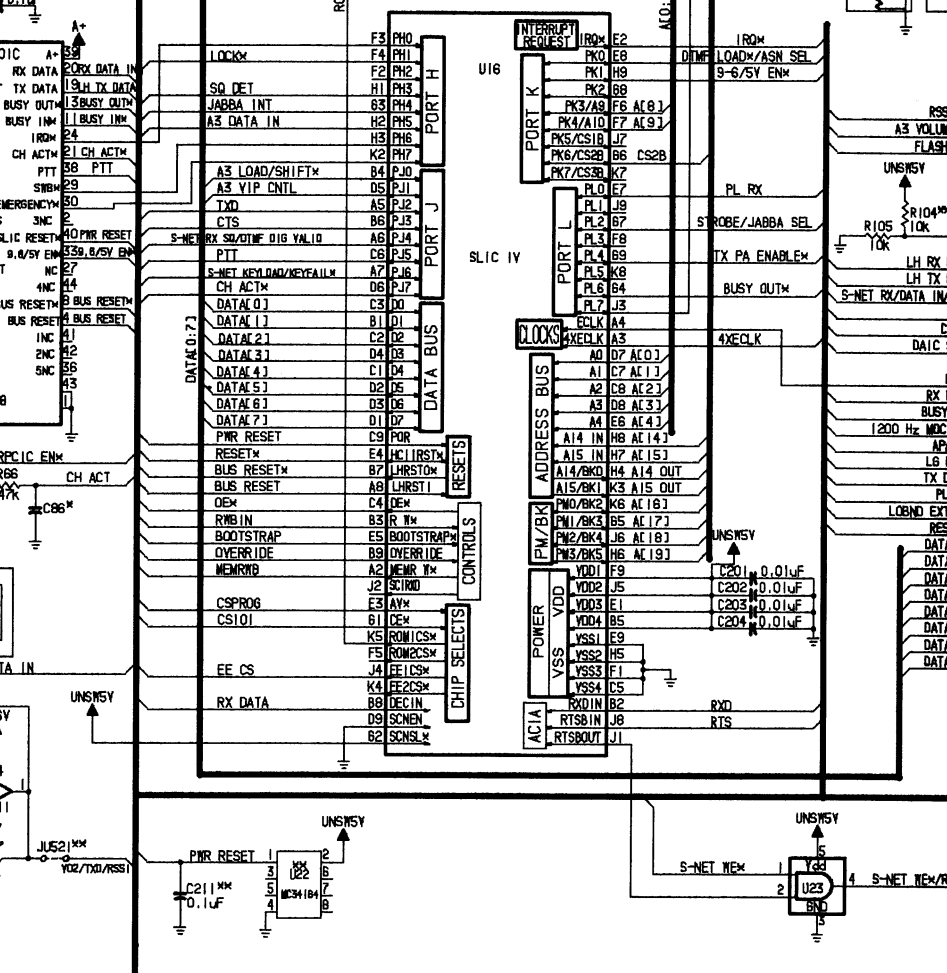
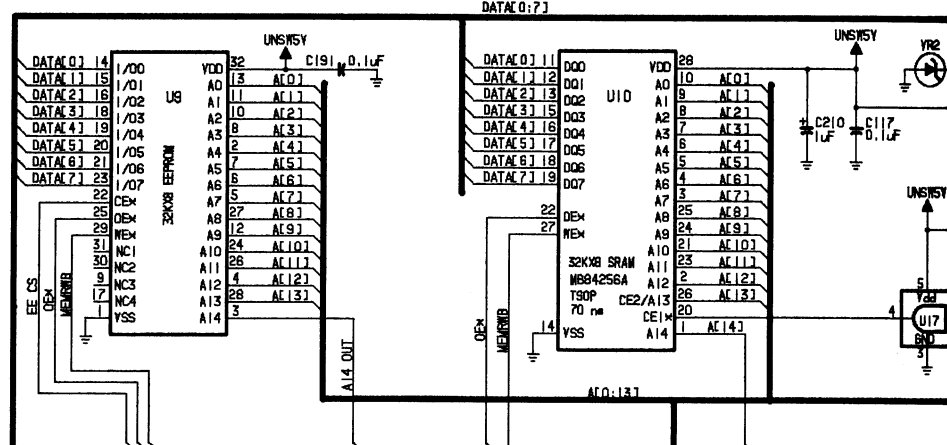
RF BOARD CONN

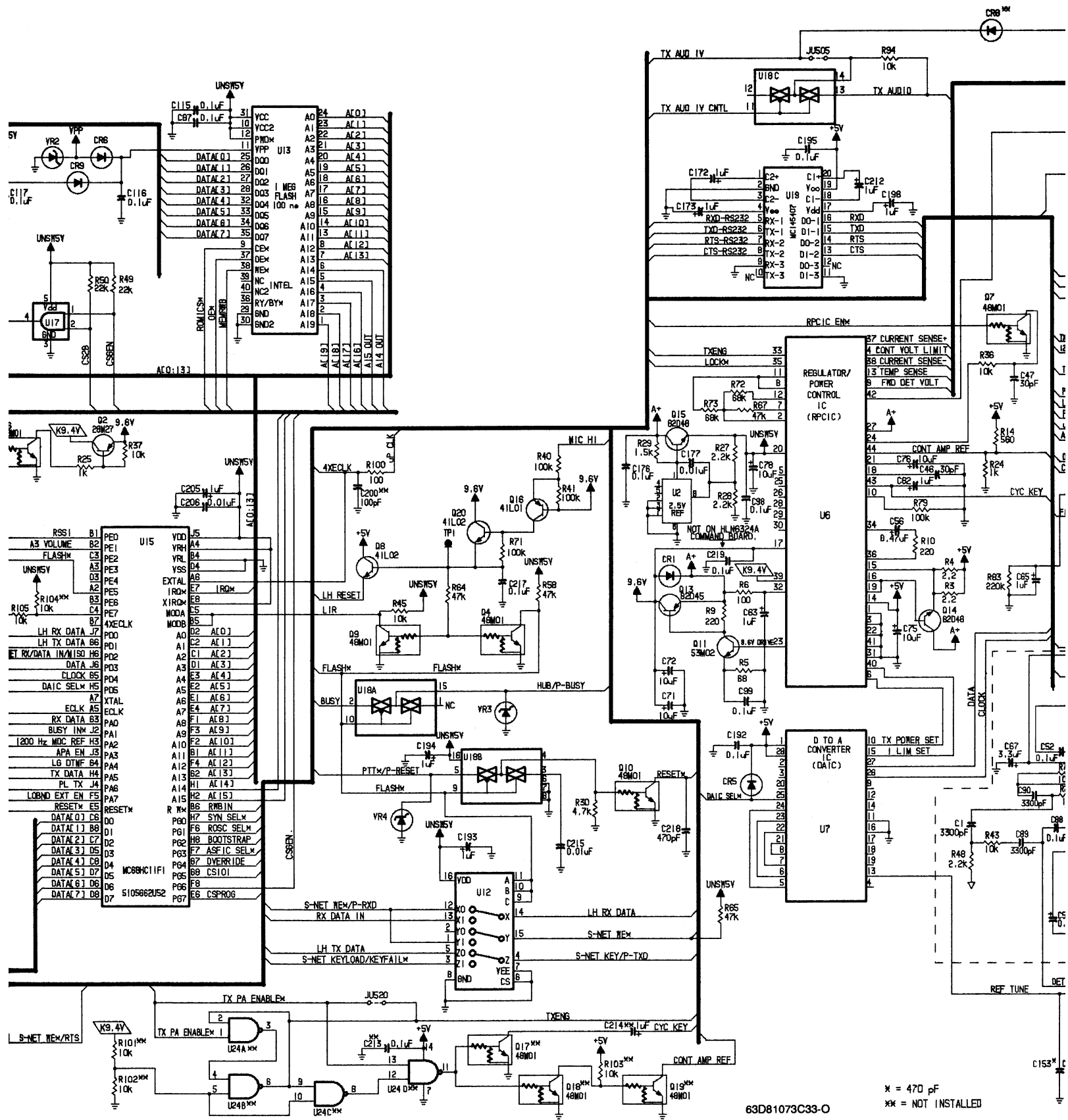
NOT ON HLN6324A
COMMAND BOARD.

9.6V

9.6V

9.6V





63D81073C33-0

* = 470 pF
 ** = NOT INSTALLED

