

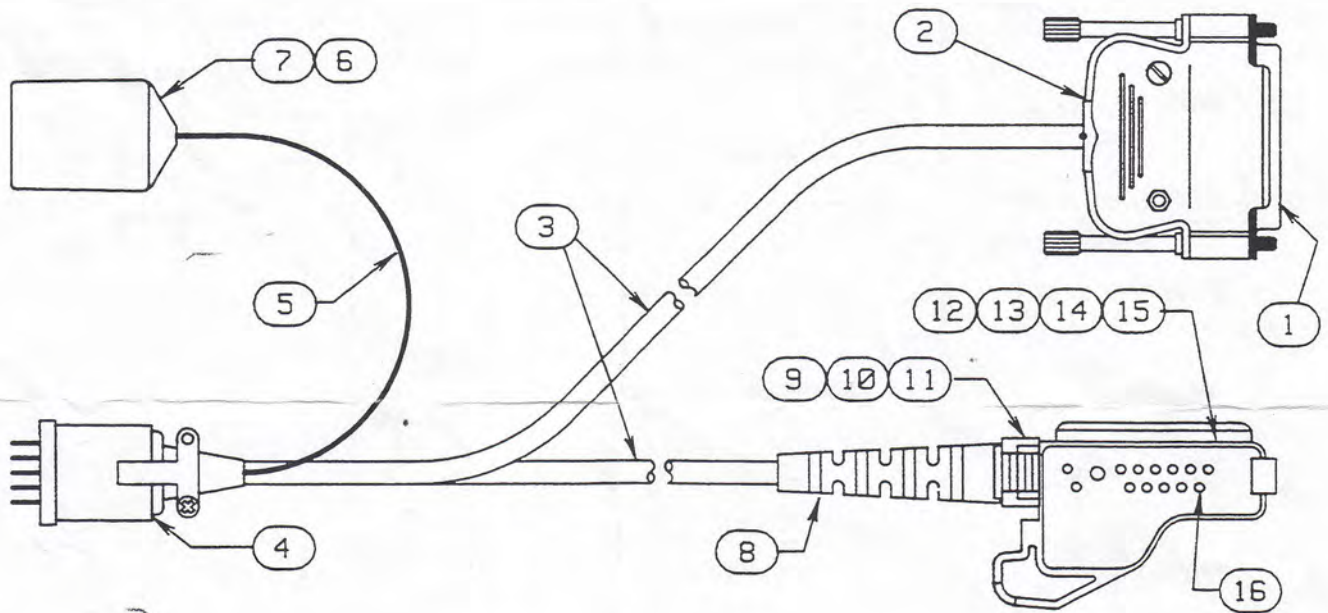


MOTOROLA
AMERICAS PARTS DIVISION

RKN-4035D
PROGRAM/TEST
CABLE

The RKN-4035D is a programming/test cable for the HT1000/MT2000/MTS2000 Series Portable Radios. It connects between the radio's universal connector and Radio Interface Box RLN-4008B (for programming) and the Portable Radio Test Set RTX4005B (for testing).

When plug assembly (4) is not used, cover with protective cap (6) to eliminate possible shorting.



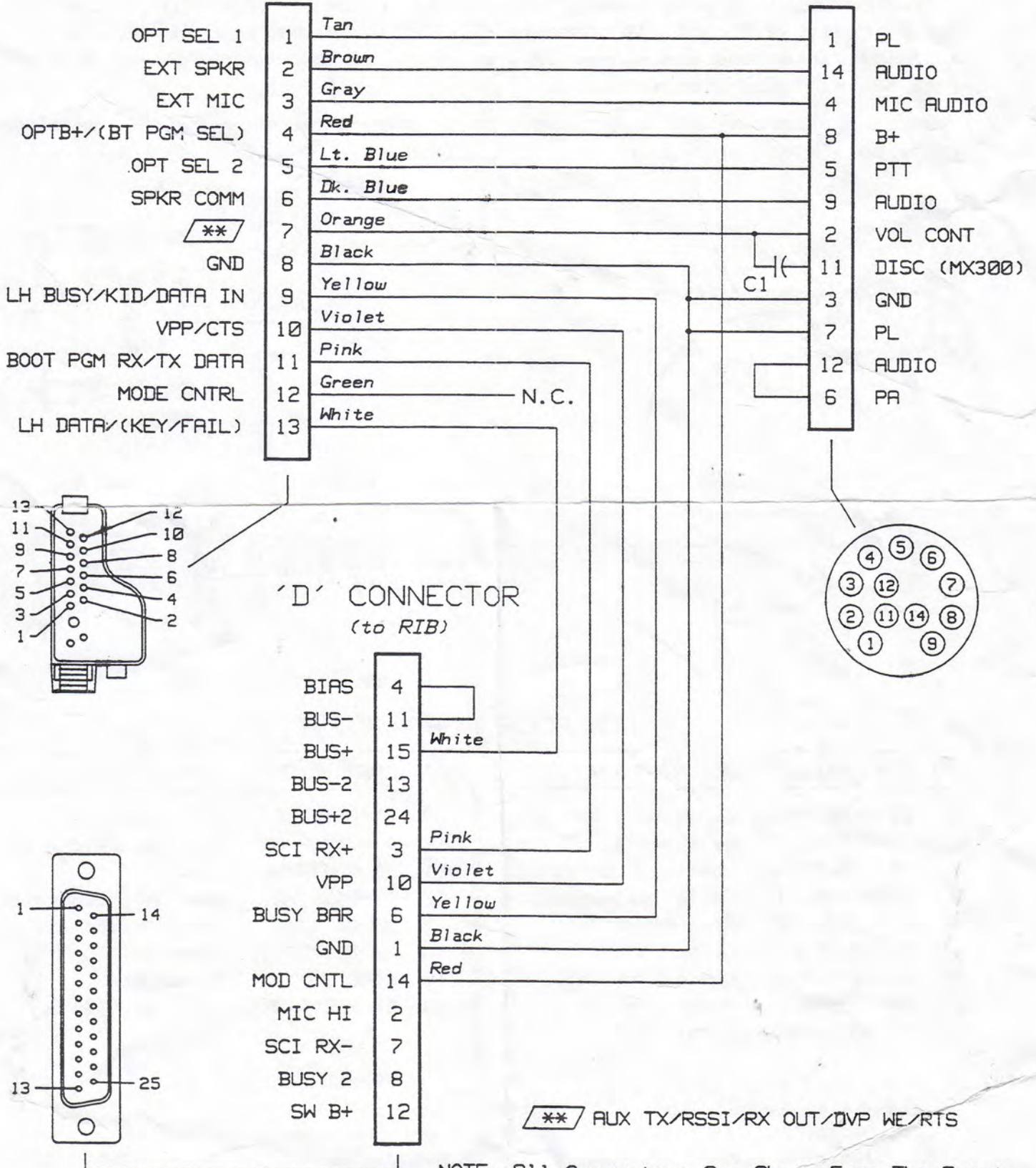
REPLACEMENT PARTS LIST

REF	PART NUMBER	DESCRIPTION	REF	PART NUMBER	DESCRIPTION
C1	21-84008H06	Capacitor, 33nF	9	22-05541V01	Pin, Latch
1	09-84538E03	Receptacle, 25 Pos	10	41-05538V01	Spring, Latch
2	15-80349B36	Housing, Connector	11	55-05536V01	Latch
3	30-05118W01	Cable, 13 Conductor	12	15-05691W08	Housing, Connector
4	01-80754A26	Plug Assembly	13	32-05533V01	Seal, Baseplate
5	42-10217A24	Strap, Tie	14	32-05472P11	Gasket, 'O' Ring
6	38-80373B24	Protective Cap	15	64-05241X01	Baseplate
7	04-10058B12	Washer, Nylon	16	39-05895V04	Contact (13)
8	42-05184R05	Strain Relief			

ELECTRICAL SCHEMATIC

UNIVERSAL CONNECTOR (to Radio)

CYLINDRICAL CONNECTOR (to RTX-4005B)



NOTE: All Connectors Are Shown From The Front.