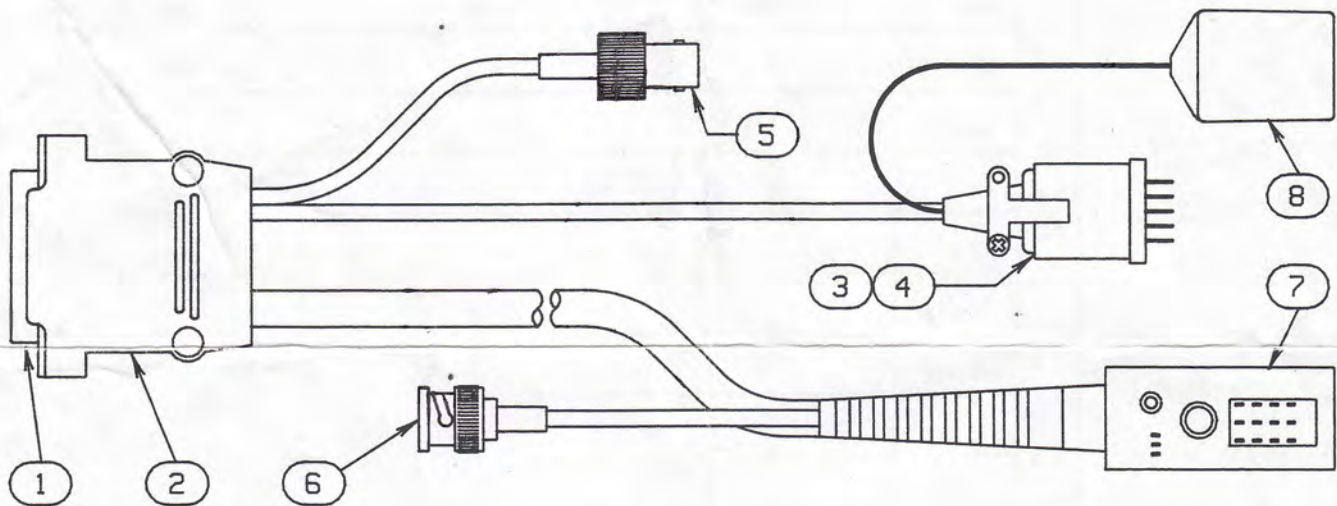


The RTK-4203C is a programming/test cable for the SABER Portable Radio. It connects between the SABER universal connector and the Radio Interface Box RLN-4008B (for programming) or the Portable Radio Test Set RTX-4005B (for testing). The female BNC connector is auxiliary TX audio and the male BNC connector is RF.

When plug assembly (3) is not used, cover with protective cap (8) to eliminate possible shorting.



REPLACEMENT PARTS LIST

REF.NO.	PART NUMBER	DESCRIPTION
C1	21-00847065	Capacitor, 500pF
Q1	51-05469E48	Transistor, 2.5V Reference
L1	24-82723H28	Coil 0.29mH
1	09-80345B77	Receptacle, 25 Pos 'D'
2	15-80374A87	Housing, Connector
3	01-80754A26	Plug Assembly
4	75-82446B01	Rubber Boot
5	09-84092K01	Connector, BNC Female
6	28-87645C01	Connector, BNC Male
7	09-60113A14	Cable Assembly
8	38-80373B24	Protective Cap

ELECTRICAL SCHEMATIC

