

DESCRIPTION—MODULE POSITION	REF. DES. POSITION	FUNCTION												
		GROUND, LINE DRIVER GROUND; VRI ANODE; 1 ALERT TONE GND; SPKR —	A+; ANT. RELAY PROTECT CKT. (CR1 ANODE & R2)	ANT. SW—; LINE DRIVER DISABLE NO. 1	TOT RESET	KEY INHIBIT	XCTR; SPKR LEVEL	KEYED A—	KEYED A+	PTT CONTROL	LOCAL PTT	XMIT OSC GND; CHAN ELEM GND	EXCITER AUDIO LO	DELAYED KEYED A+
LINE DRIVER (4—VERSIONS)	1	1	12	9		24*								
STATION CONTROL (1—VERSION)	2	1, 24	12	2*	3	4	7*	8*	10*	5*		11	13	14
DC TRANSFER (6—VERSIONS)	3	1	12						6		15		17	10*
TIME—OUT TIMER (1—VERSION)	4	1	12		22	4*				5				6
F1 TONE CONTROL (4—VERSIONS)	5	1, 4	12					8	23		2	17	10	19
GUARD TONE DECODER (2—VERSIONS)	6	1, 17	12								2	23	6	16*
SQUELCH GATE (2—VERSIONS)	7	1, 23	12		22*			6		13	2		7	16
F2 TONE CONTROL (4 VERSIONS)	8	1, 16	12						20		2			
OPTION DECODER (4—VERSIONS)	9	1	12					24	23		15			
FUNCTION TONE DECODER (2—VERSIONS)	10	1	12					19						
SINGLE—TONE DECODER OR OPTION (3—VERSIONS)	11	1	12							13			6, 24	14
SPARE OR OPTION (2—VERSIONS)	12	1	12					5	8		16	6	19	
R1 AUDIO & SQUELCH (2—VERSIONS)	13	1, 9, 14, 23, 24	12					21		4		19		
R2 AUDIO & SQUELCH (3—VERSIONS)	14	1, 9, 10, 24	12					21						
PL SQUELCH (6—VERSIONS)	15	1, 16, 18	12					3	13			20	7*	
EXCITER	J102	1, 8, 10, 13	20					7			8*	11*		
RECEIVER 1	J202	1, 4, 6, 8	9										16	
RECEIVER 2	J302	10, 13, 18	9										16	
RF CONTROL CHASSIS CONNECTOR	J1	2, 6, 8, 12	3, 5	16				14						
CONTROL METERING CONNECTOR	J2	2, 3, 4, 6								5				
EXCITER METERING CONNECTOR	J3	4, 5, 6, 7												
RECEIVER 1 METERING CONNECTOR	J4	4, 6, 7												
FACTORY TEST CONNECTOR	J5	14	6							7				
RECEIVER—2 METERING CONNECTOR	J6	4, 6, 7												
EXTERNAL SCREW TERMINALS	E	8, 9	12	6						22		26		16
JUMPER WIRES (BOTH ENDS)	JU	11, 12	8			15		9					9	

(*) indicates function source.
NA = Not Assigned (Plating exists between points but not used.)

RF-Control Chassis

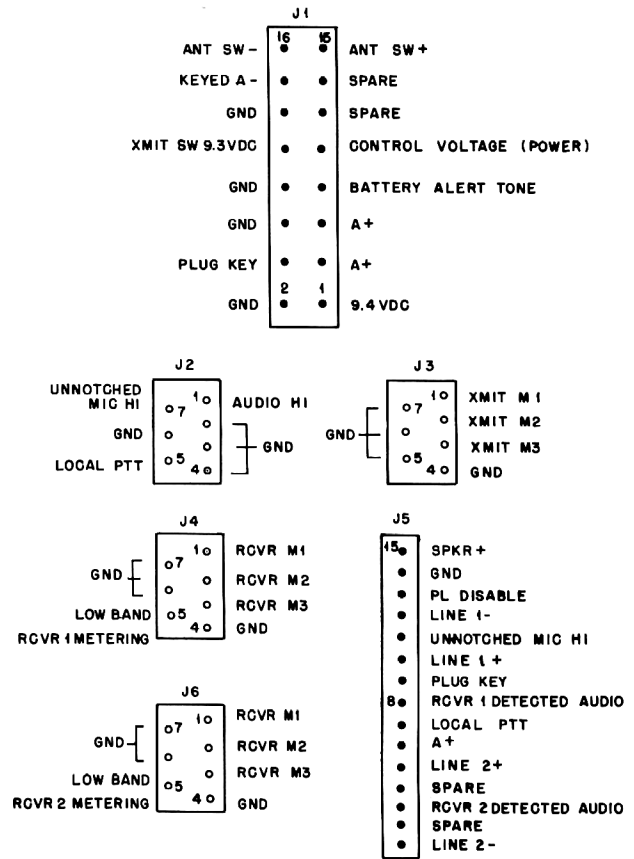
NOTES:

1. Diode VR1 and resistor R1 are part of TRN5462A fully optionable Backplane Interconnect Board, used only with 4-freq. stations.
2. Unique control modules employed for either *Spectra-TAC*, Multi-PL, or RA Base Options Functional Operation.

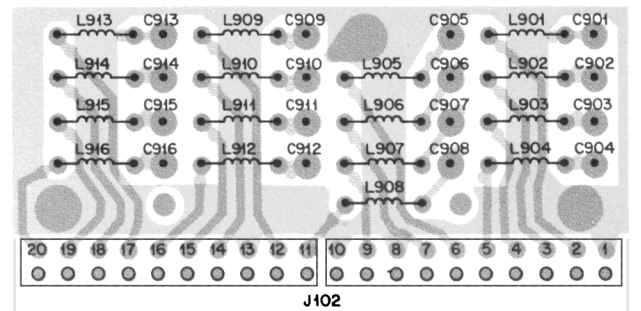
Interconnect Board Position Usage Table

Position	Use	Module	Description
1	Line Driver (4-Versions) Note 2	TRN5235A TRN5236A TRN5237A TRN5294A	4 Wire-2 RCVR 2 Wire-1 RCVR 2 Wire-2 RCVR 4 Wire-Spectra-TAC
2	Station Control	TRN5321A	Station Control
3	DC Transfer (6-Versions)	TRN5239A TRN5240A TRN5254A TRN5255A TRN5256A TRN5257A	Paging F1-PL F1-CS C2-R2 F2-R2 Mute RPTR Set Up
4	Time-Out Timer	TRN5295A	Time-Out Timer
5	F1 Tone Control (4-Versions)	TRN5320A TRN5322A TRN5327A TRN5328A	F1-PL F1-CS F1-CS, 4-Freq. F1-PL, 4-Freq.
6	Guard Tone Decoder (2-Versions) Note 2	TLN2443A TLN2450A	
7	Squelch Gate (2-Versions) Note 2	TRN5324A TRN5331A	Standard <i>Spectra-TAC</i>
8	F2 Tone Control (4-Versions)	TLN2444A TLN2449A TRN5325A TRN5326A	C2-R2 Paging F2-Control F2-R2 Mute
9	Option Decoder (4-Versions)	TLN2445A TLN2446A TLN2447A TRN5296A	Squelch Control RPTR Control PL Control 4-Freq. Control
10	Function Tone Decoder (2-Versions) Note 2	TLN2448A TRN5330A	"Wild Card" Control Multi-PL Matrix Control
11	Single Tone Decoder or Option (3-Versions) Note 2	TLN2442A TLN5293A TRN5329A	Single Tone Decoder <i>Spectra-TAC</i> Encoder Multi-PL Decoder
12	Spare or Option (2-Versions) Note 2	Spare TRN5292A	Spare Multi-PL Encoder
13	RCVR 1 Audio & Squelch (2-Versions)	TRN5068A TRN5069A	Without Intercom With Intercom
14	RCVR 2 Audio & Squelch (3-Versions)	TRN5070A TRN5071A TRN5072A	R2-PL R2-CS R2-DPL
15	Coded Squelch (6-Versions)	TRN5073A TRN5074A TRN5075A TRN5076A TRN5077A TRN5078A	Duplex TARB, PL Simplex TARA, PL Simplex TARB, PL Duplex TARB, DPL Simplex TARA, DPL Simplex TARB, DPL

CONNECTOR PIN DESIGNATIONS



NOTE: C901-C916 ARE FEED-THROUGH CAPACITORS.



SOLDER SIDE ● BEPS-34527-0
COMPONENT SIDE ● BEPS-34528-0
OL ● BEPS-34529-0

SHOWN FROM SOLDER SIDE

Jumper Table

Type of Station	Jumper														
	JU1	JU2	JU3	JU4	JU5	JU6	JU7	JU8	JU9	JU10	JU11	JU12	JU13	JU14	JU15
Base-DC Control	IN	OUT	IN	OUT	IN	OUT	OUT	OUT	D	E	F	G	H	H	OUT
Base-Tone Control	OUT	OUT	OUT	OUT	C	C	C	OUT	D	E	F	G	H	H	OUT
RT RPTR-Non Wireline	IN	OUT	OUT	IN	IN	OUT	OUT	OUT	D	E	F	G	H	H	OUT
RT RPTR-DC Control	IN	A	B	OUT	IN	OUT	OUT	OUT	D	E	F	G	H	H	OUT
RT RPTR-Tone Control	OUT	OUT	OUT	OUT	IN	OUT	OUT	OUT	D	E	F	G	H	H	OUT
RA RPTR	IN	OUT	OUT	IN	IN	OUT	OUT	OUT	D	E	F	G	H	H	OUT
RA Base-DC Control	IN	OUT	OUT	IN	IN	OUT	OUT	OUT	D	E	F	G	H	H	OUT
RA Base-Tone Control	OUT	OUT	OUT	OUT	IN	OUT	OUT	OUT	D	E	F	G	H	H	OUT

- JU2 Normally OUT, IN when TLN5257A RPTR Control Module Used.
- JU3 Normally IN, OUT when Option C143 (Remote RPTR Control) Used
- Normally, JU5 IN and JU6 and 7 OUT; JU5 OUT and JU6 and JU7 IN for 4-Freq. Receive and Transmit Operation.
- JU9 IN for Carrier Squelch, OUT for Coded Squelch.
- JU10 Normally IN; OUT when Option C13 (Remote Squelch Control) Used.
- JU11 Normally OUT; IN for Low Band RCVR 1.
- JU12 Normally OUT; IN for Low Band RCVR 2.
- JU13 and JU14 Normally OUT, except as follows:
 1. If a normal base station with battery alert tone is used, JU13 is IN and JU14 is OUT.
 2. If a RPTR station with battery alert tone is used, JU14 is IN and JU13 is OUT.

*RF-Control Chassis
Fully Optionable Backplane Interconnect
and Duplex Filter Circuit Board Details
Motorola No. PEPS-34939-O
(Sheet 5 of 5)*

6/30/82- UP