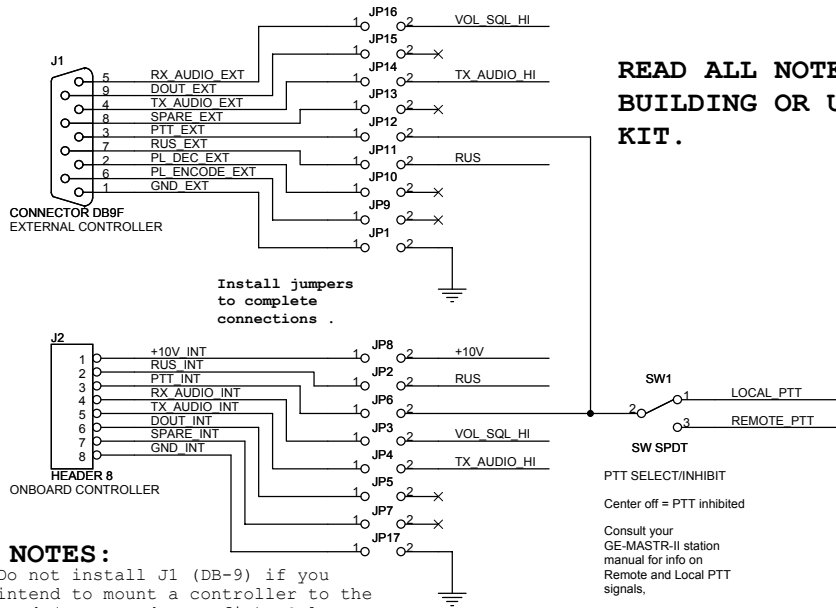


INSTALL JUMPERS TO ENABLE DESIRED SIGNALS



READ ALL NOTES BEFORE BUILDING OR USING THIS KIT.

NOTES:
Do not install J1 (DB-9) if you intend to mount a controller to the card. (your card wont fit) Only install J1 if you intend to run an external controller from this jack.

You must install jumpers to enable J1 or J2 Use 22 awg hookup wire to connect the signals as desired for your intended use.

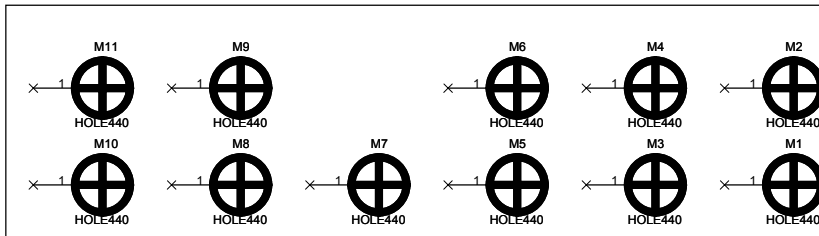
The signals required for a repeater are noted on this drawing and wired for convenient access. All other signals are brought out to a test point for user access. Consult the GE-MASTR II Station Manual to identify these signals.

Insert card into far right hand "AUX CONTROL" slot J1212 for repeater control applications.

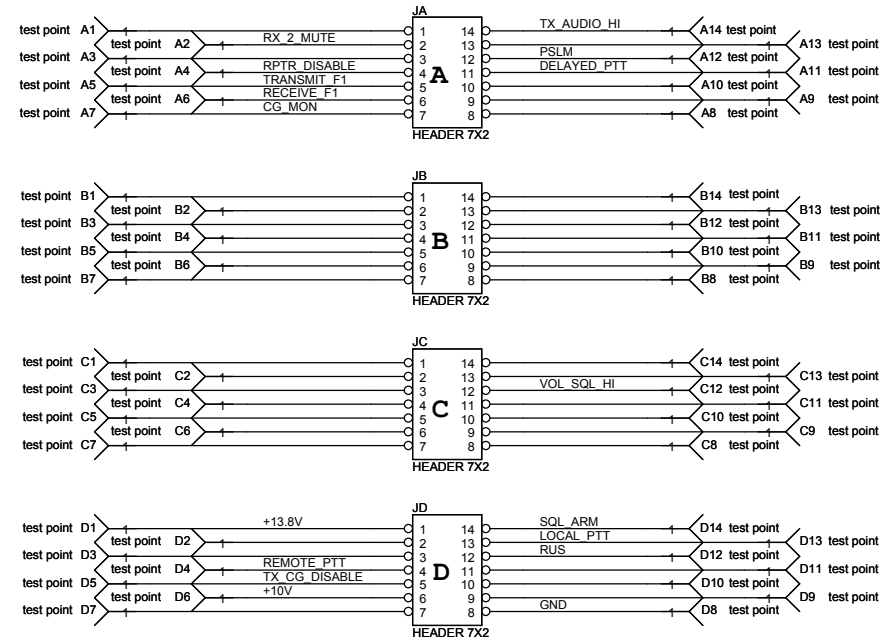
Holes in a grid pattern are provided for the customers convenience.

Cards that have been soldered are not returnable.

Controller mounting holes



CARD EDGE FINGERS



Consult the GE MASTR-II Station manual for signals not listed.

NOTICE

THIS DRAWING CONTAINS PROPRIETARY INFORMATION WHICH IS THE CONFIDENTIAL PROPERTY OF NHRC LLC. IT SHALL NOT BE COPIED, REPRODUCED, DISCLOSED, PUBLISHED OR USED IN PART OR WHOLE WITHOUT THE EXPRESSED WRITTEN PERMISSION OF NHRC LLC. SPECIFICATIONS SUBJECT TO CHANGE WITHOUT NOTICE OR OBLIGATION.

NHRC REPEATER CONTROLLERS

415 Fourth Range Road
Pembroke, NH 03275
603-485-2248
<http://www.nhrc.net>

Title: **NHRC-M2SC (GE MASTR II Station Card)**

Size B	Document Number NHRC-M2SC	Rev B
Date: Wednesday, June 17, 2009	Sheet 1 of 1	