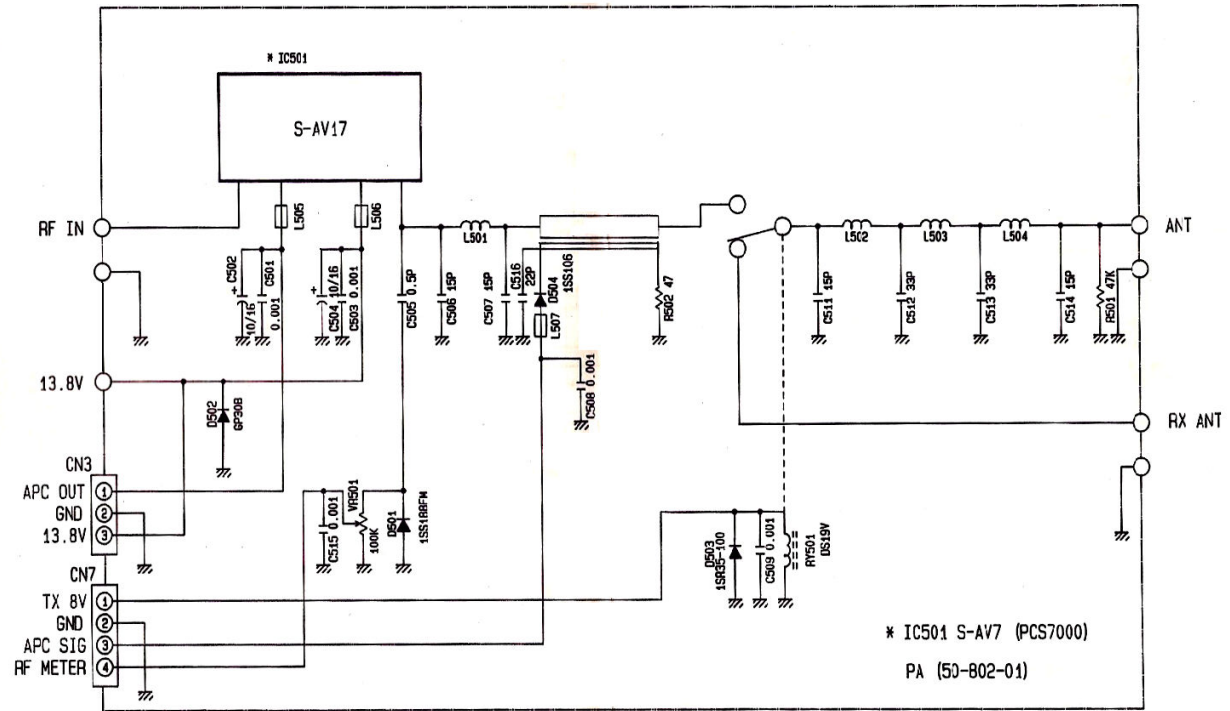


## **Azden PCS-7000H Schematic**

Page 1 thru 4 are the Schematics for the individual sections of radio.

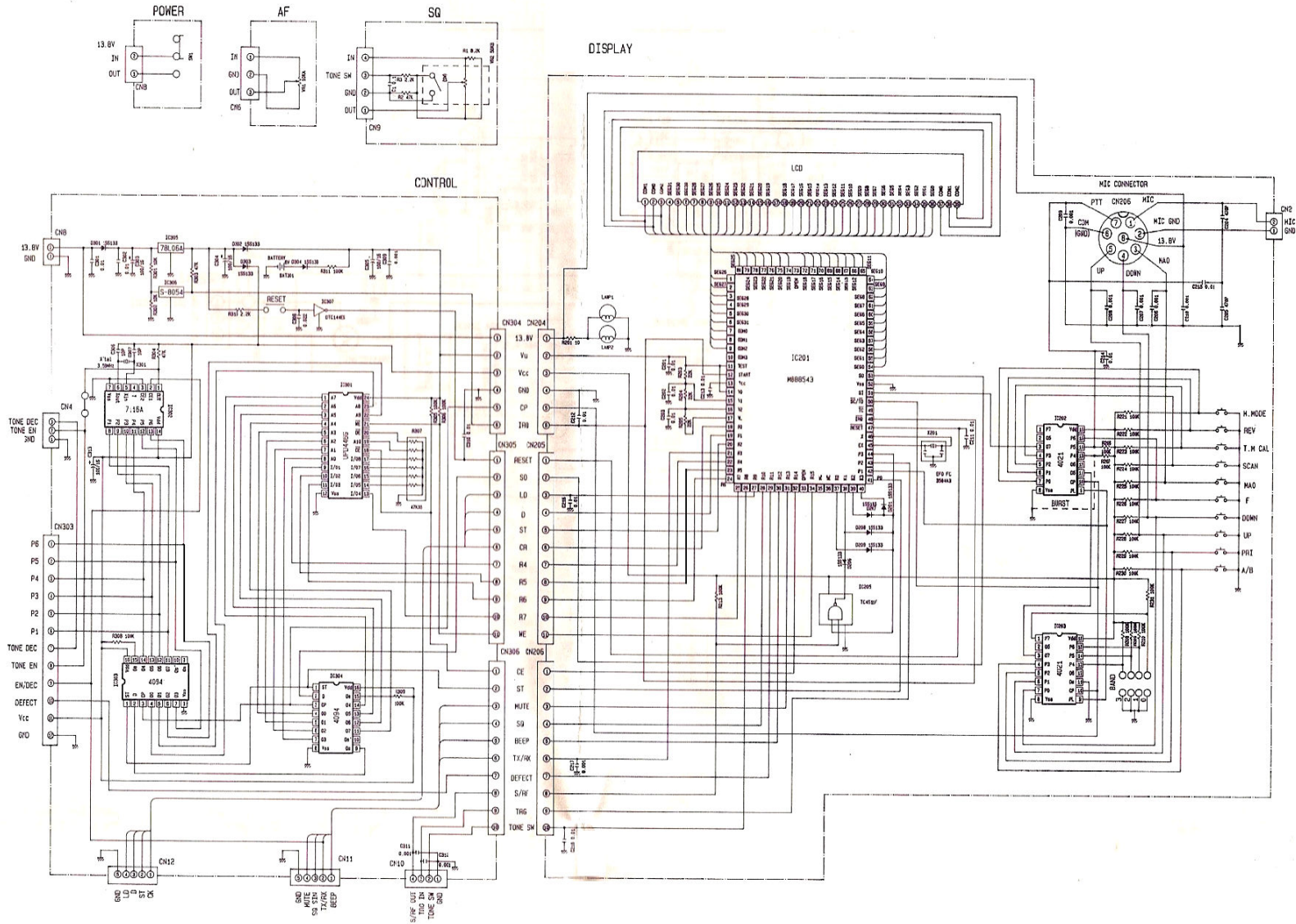
Page 5 thru 8 are the complete schematic of the radio. You will have to print them out then piece them together because they came printed on a giant piece of paper.

# PA

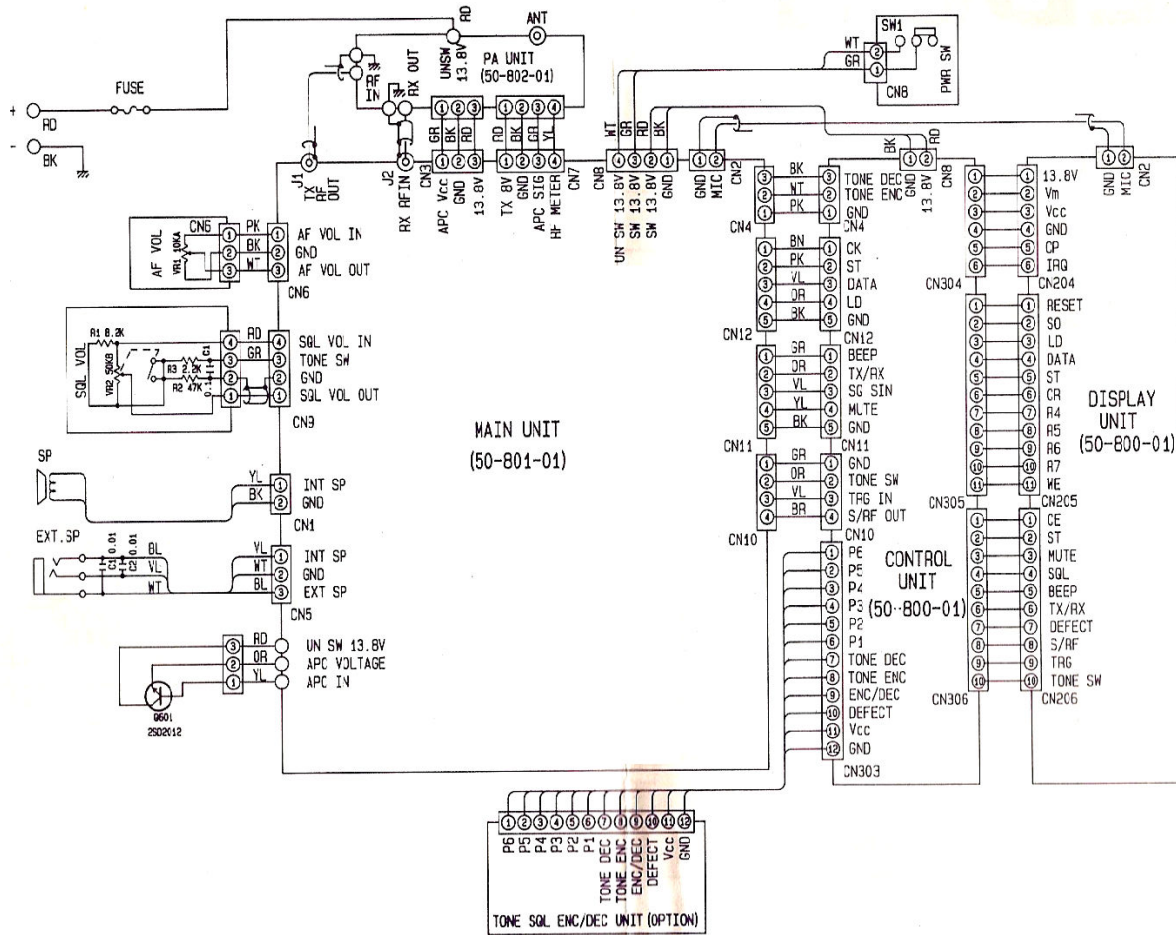


# AZDEN®

## CONT-DISP

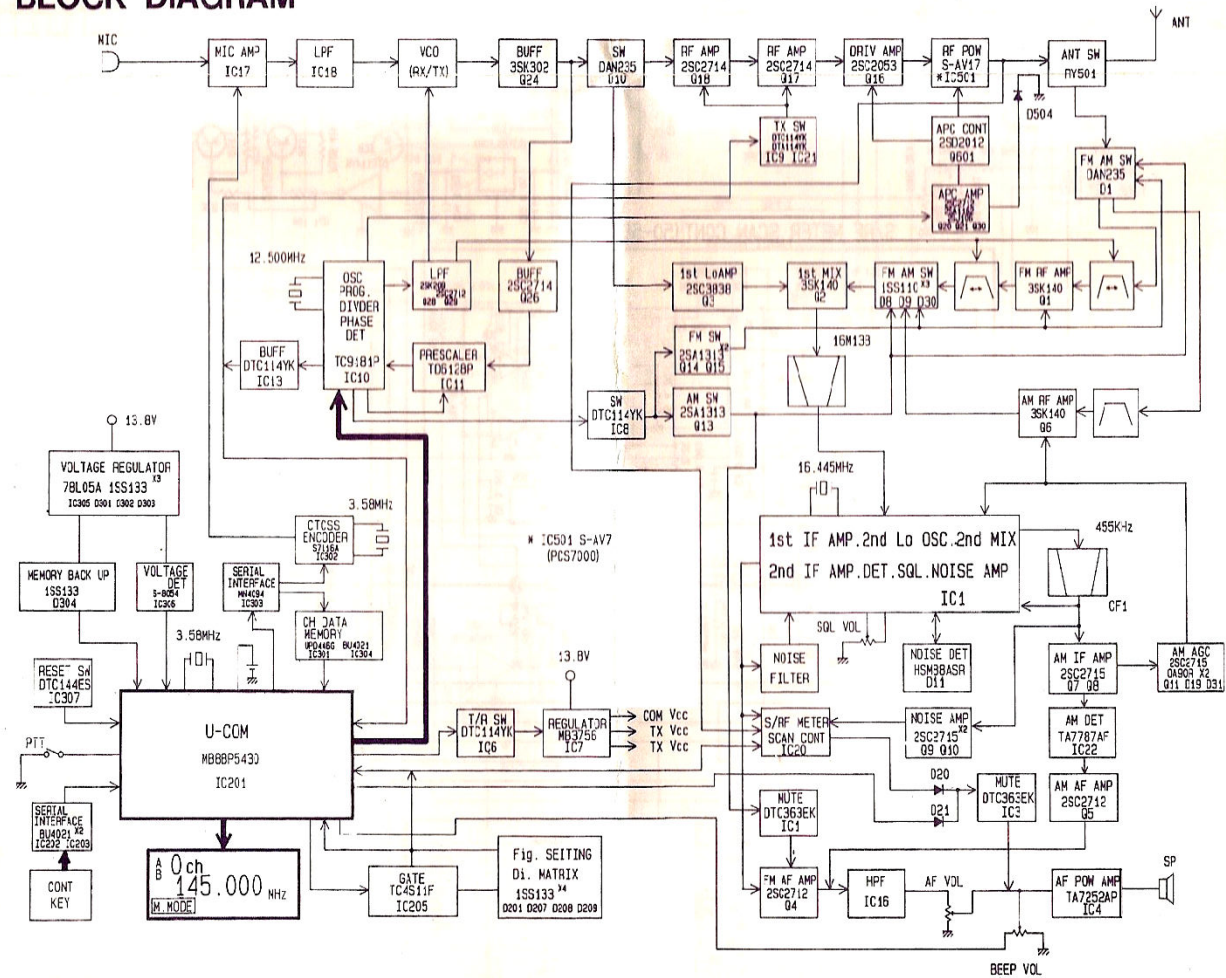


# CONNECTING DIAGRAM





# BLOCK DIAGRAM



UNIT

Ω

μF

Some components subject to change for an improvement without notice.

①

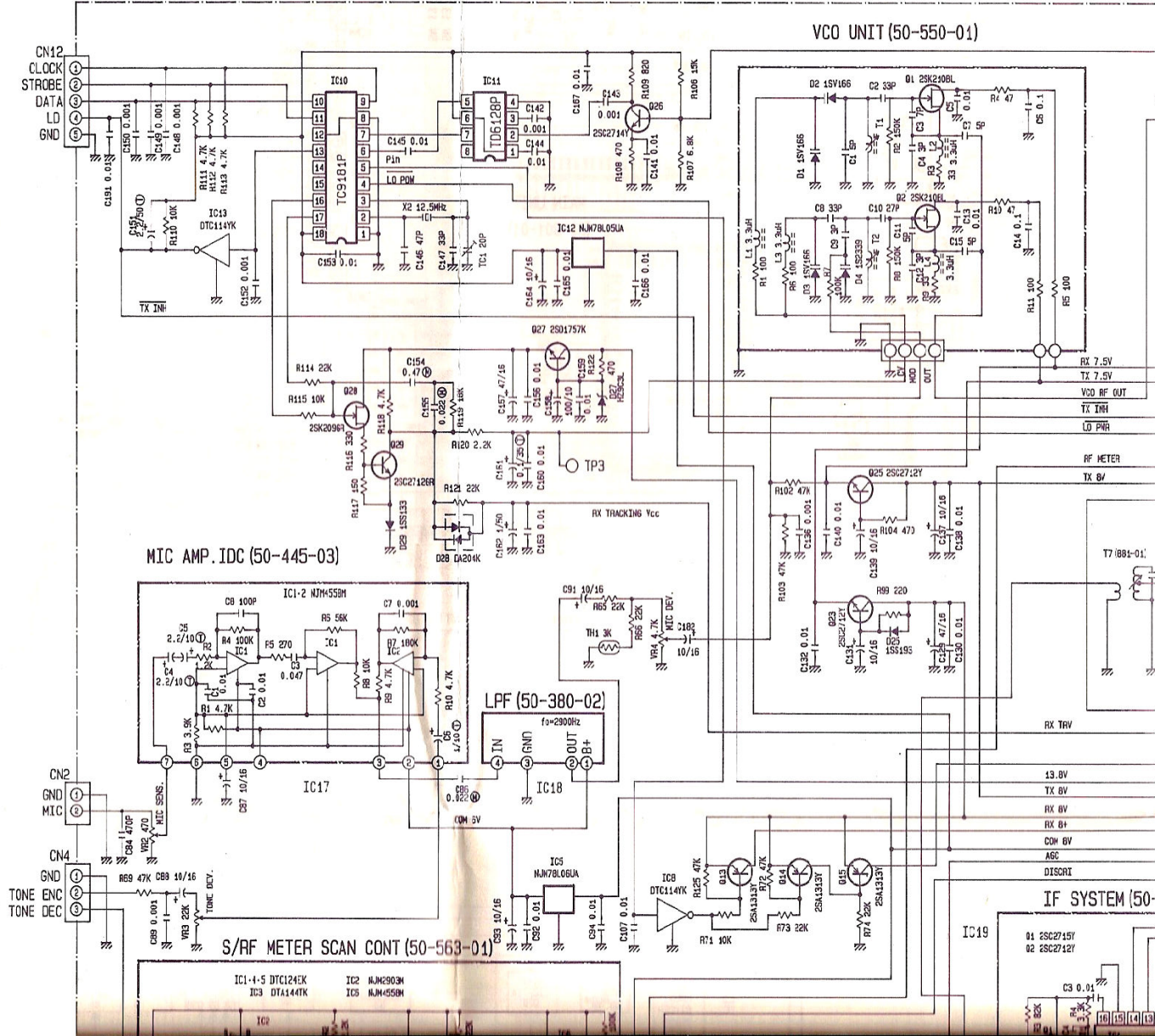
## PROCESSING MOBILE TRANSCEIVER

# PCS-7000(H) SCHEMATIC DIAGRAM

①

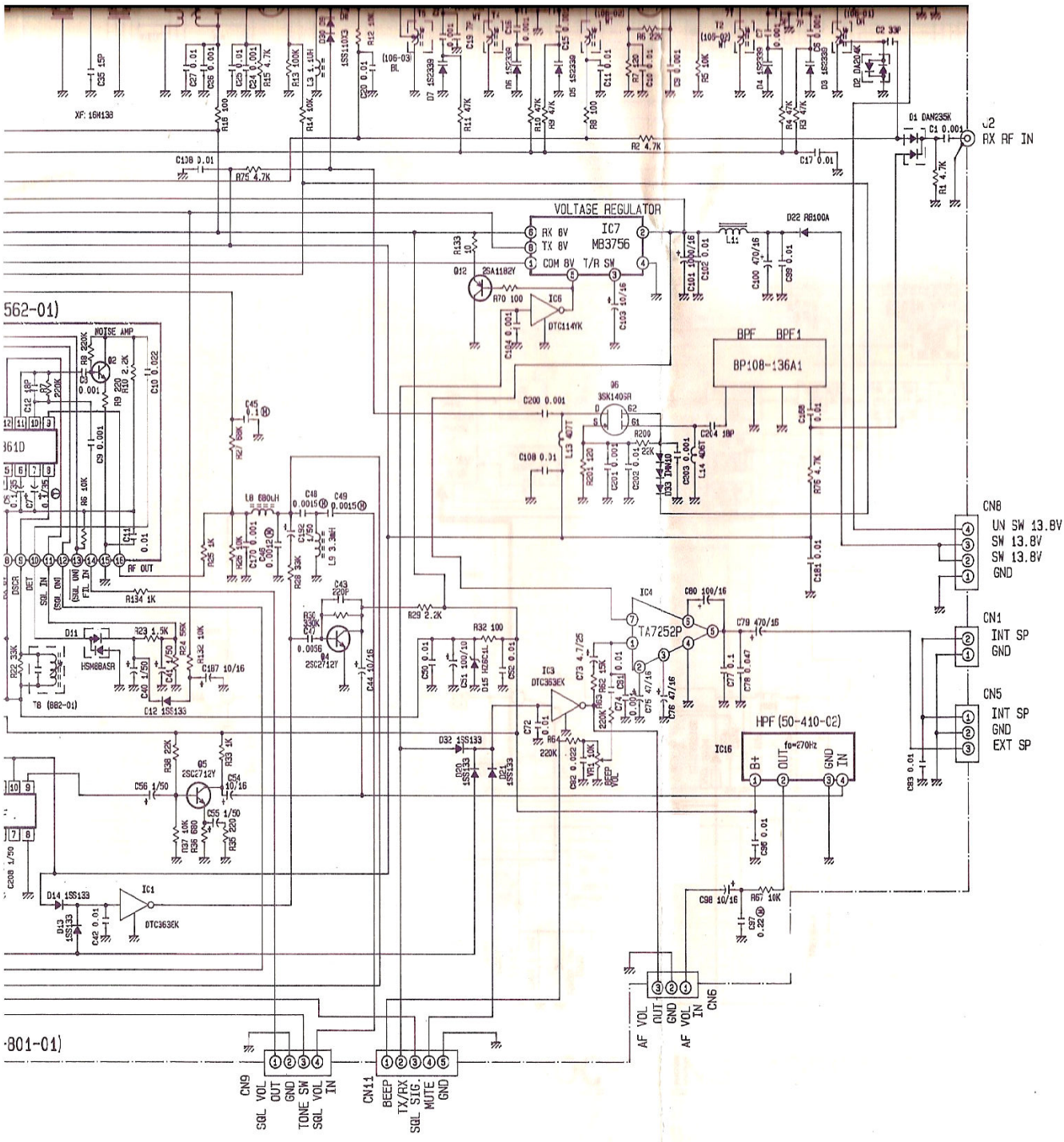
# AZDEN®

## MAIN









562-01)

3610

801-01)

- CN9 SQR VOL OUT
- CN9 GND
- CN9 TONE SW
- CN9 SQR VOL IN
- CN11 BEEP
- CN11 TX/RX
- CN11 SQR SIG.
- CN11 MUTE
- CN11 GND

- CN8 UN SW 13.8V
- CN8 SW 13.8V
- CN8 SW 13.8V
- CN8 GND
- CN1 INT SP
- CN1 GND
- CN5 INT SP
- CN5 GND
- CN5 EXT SP

J2 RX RF IN

- CN6 AF VOL OUT
- CN6 GND
- CN6 AF VOL IN



