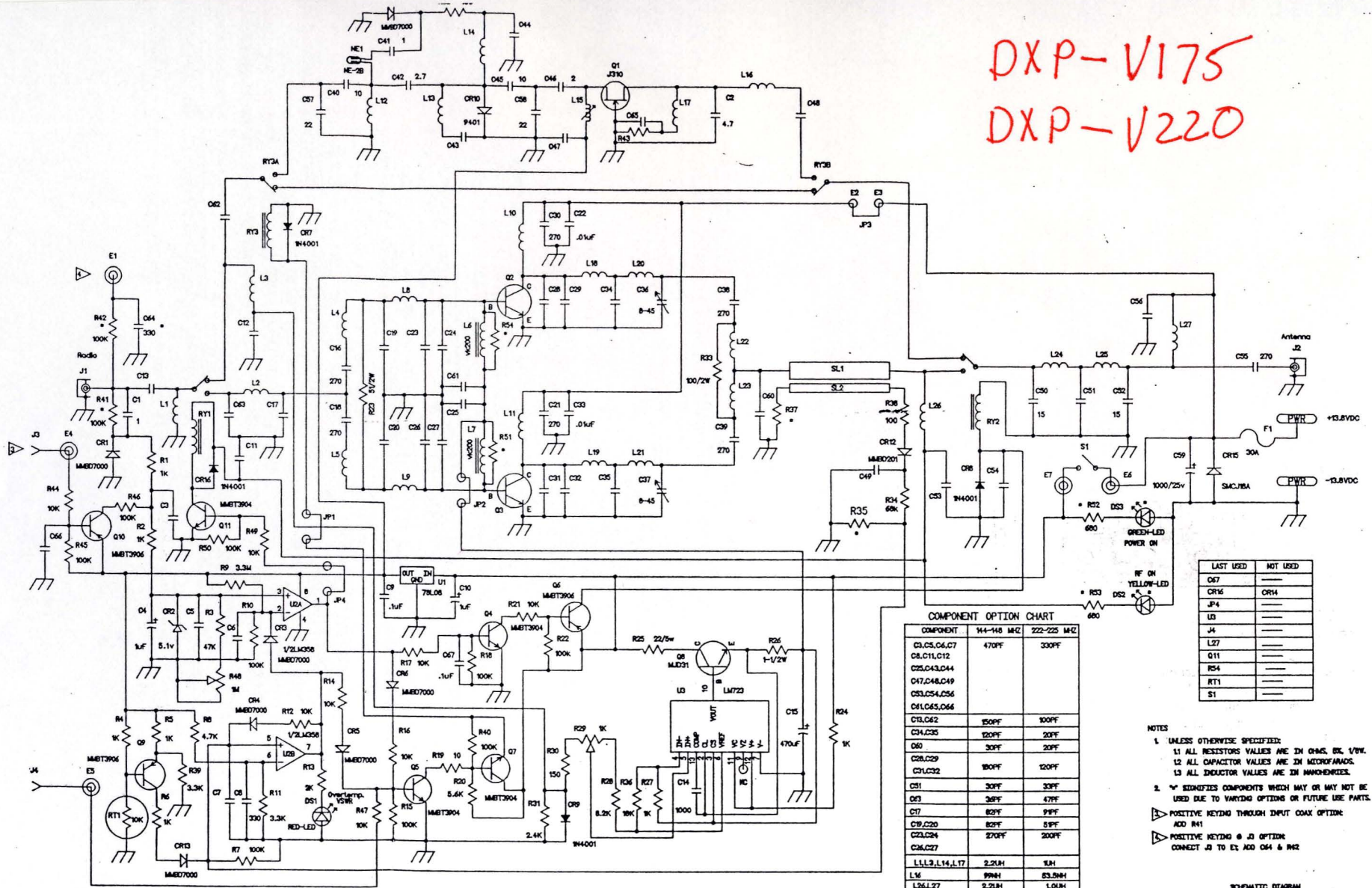


DXP-V175
DXP-V220



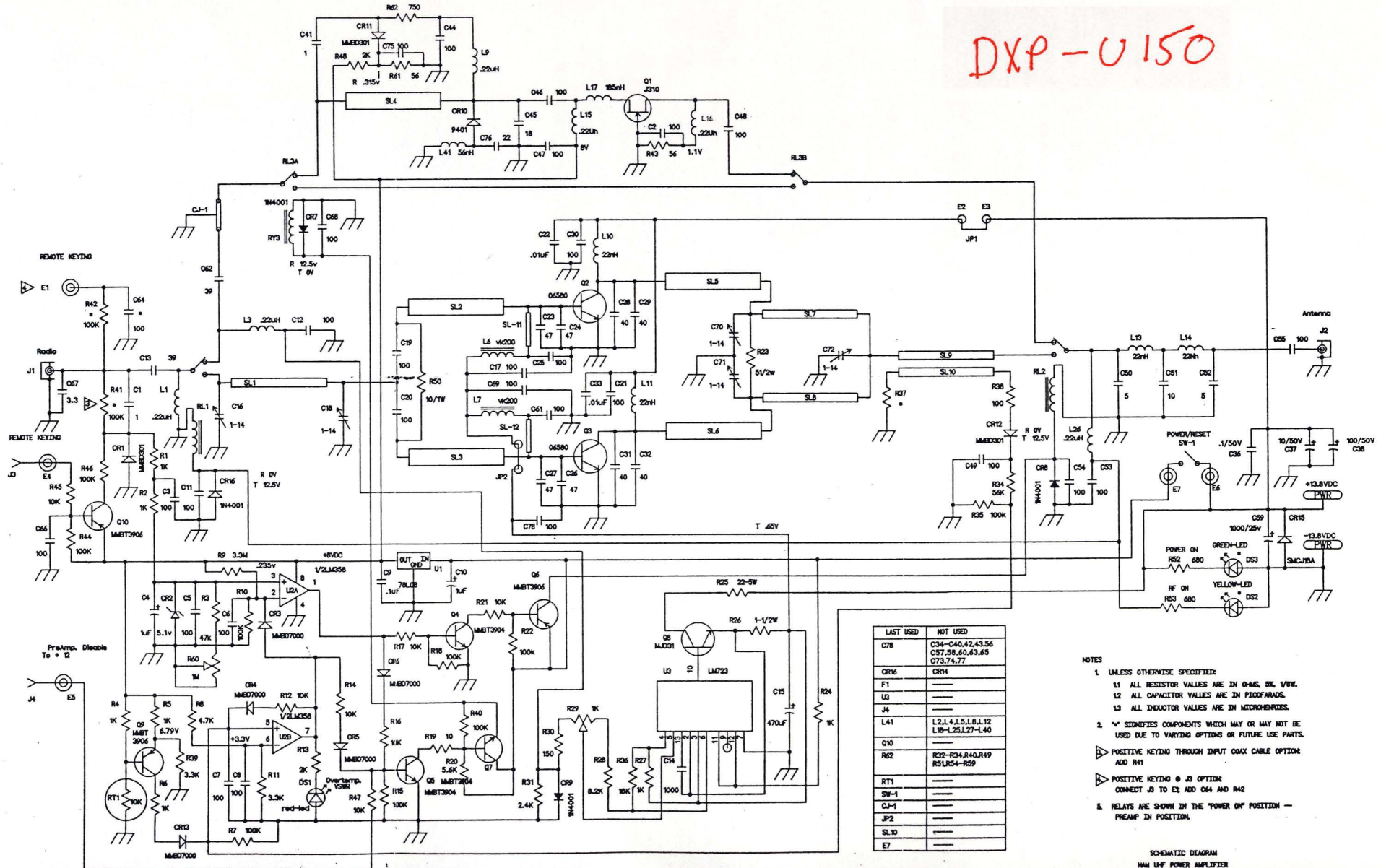
COMPONENT OPTION CHART

COMPONENT	144-148 MHz	222-225 MHz
C3,C5,C6,C7	470PF	330PF
C8,C11,C12	—	—
C25,C43,C44	—	—
C47,C48,C49	—	—
C53,C54,C56	—	—
C41,C45,C66	—	—
C13,C62	150PF	100PF
C14,C35	100PF	20PF
C60	30PF	20PF
C26,C29	100PF	120PF
C7,C32	—	—
C51	30PF	33PF
C63	20PF	47PF
C17	82PF	91PF
C9,C20	82PF	5PF
C23,C24	270PF	200PF
C26,C27	—	—
L1,L3,L14,L17	2.5UH	1.8H
L4	999H	83.59H
L26,L27	2.5UH	1.0UH
R43	56 OHM	01 OHM
R51,R54	10 OHM/1W	NOT USED

LAST USED	NOT USED
C67	—
CR16	CR14
JP4	—
L3	—
J4	—
L27	—
Q11	—
R54	—
RT1	—
S1	—

- NOTES
- UNLESS OTHERWISE SPECIFIED:
 11 ALL RESISTOR VALUES ARE IN OHMS, BK. 1/W.
 12 ALL CAPACITOR VALUES ARE IN MICROFARADS.
 13 ALL INDUCTOR VALUES ARE IN MILLIHENRIES.
 - * V SIGNIFIES COMPONENTS WHICH MAY OR MAY NOT BE USED DUE TO VARYING OPTIONS OR FUTURE USE PARTS.
- ▲ POSITIVE KEYING THROUGH INPUT COAX OPTION
ADD R41
- ▲ POSITIVE KEYING @ J1 OPTION
CONNECT J1 TO E1; ADD C64 & R42

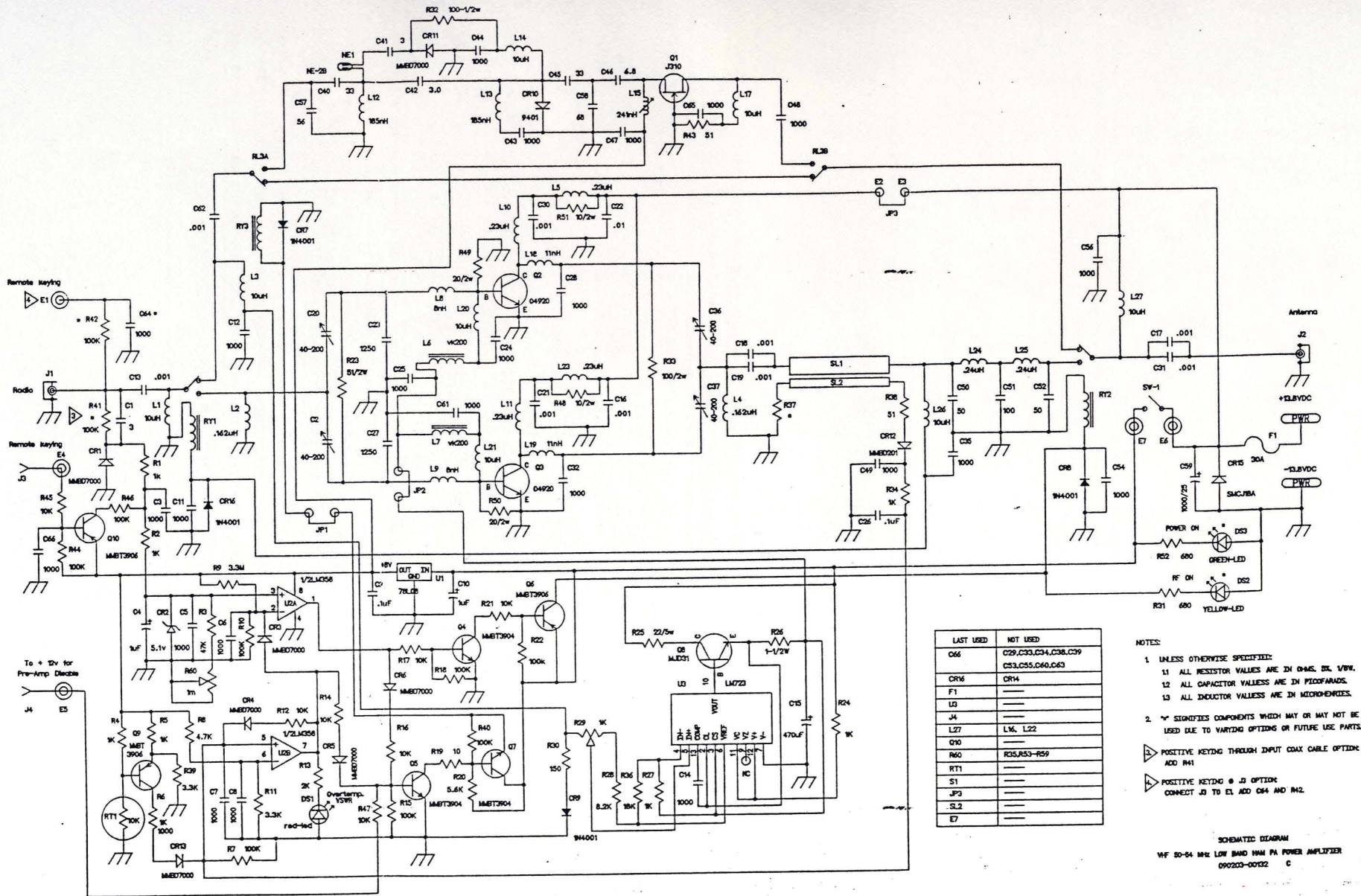
DXP-U150



LAST USED	NOT USED
C78	C34-C40,42,43,56
	C57,58,60,63,65
	C73,74,77
CR16	CR4
F1	---
L3	---
J4	---
L41	L2,4,11,5,8,11,12
	L18-L25,L27-L40
Q10	---
R62	R32-R34,R40,R49
	R51,R54-R59
RT1	---
SW-1	---
CJ-1	---
JP2	---
SL10	---
E7	---

- NOTES
- UNLESS OTHERWISE SPECIFIED:
 - ALL RESISTOR VALUES ARE IN OHMS, 5K, 10K, 100K, 1M, 10M, 100M, 1K, 10K, 100K, 1M, 10M, 100M.
 - ALL CAPACITOR VALUES ARE IN PICOFARADS.
 - ALL INDUCTOR VALUES ARE IN MICROHENRES.
 - SIGNIFIES COMPONENTS WHICH MAY OR MAY NOT BE USED DUE TO VARYING OPTIONS OR FUTURE USE PARTS.
- ▷ POSITIVE KEYING THROUGH INPUT COAX CABLE OPTION - ADD R41
 ▷ POSITIVE KEYING @ J3 OPTION - CONNECT J3 TO E2, ADD C64 AND R42
 5. RELAYS ARE SHOWN IN THE POWER ON POSITION - PREAMP IN POSITION.

SCHEMATIC DIAGRAM
HAM LF POWER AMPLIFIER



LAST USED	NOT USED
C66	C29, C33, C34, C38, C39
CR16	C53, C55, C60, C63
F1	CR14
J4	---
L4	---
L7	---
Q10	L16, L22
R60	R25, R33-R39
RT1	---
S1	---
JP3	---
SL-2	---
E7	---

SCHEMATIC DIAGRAM
 WF 50-04 MHz LOW BAND 144 MHz PA POWER AMPLIFIER
 090203-00022 C