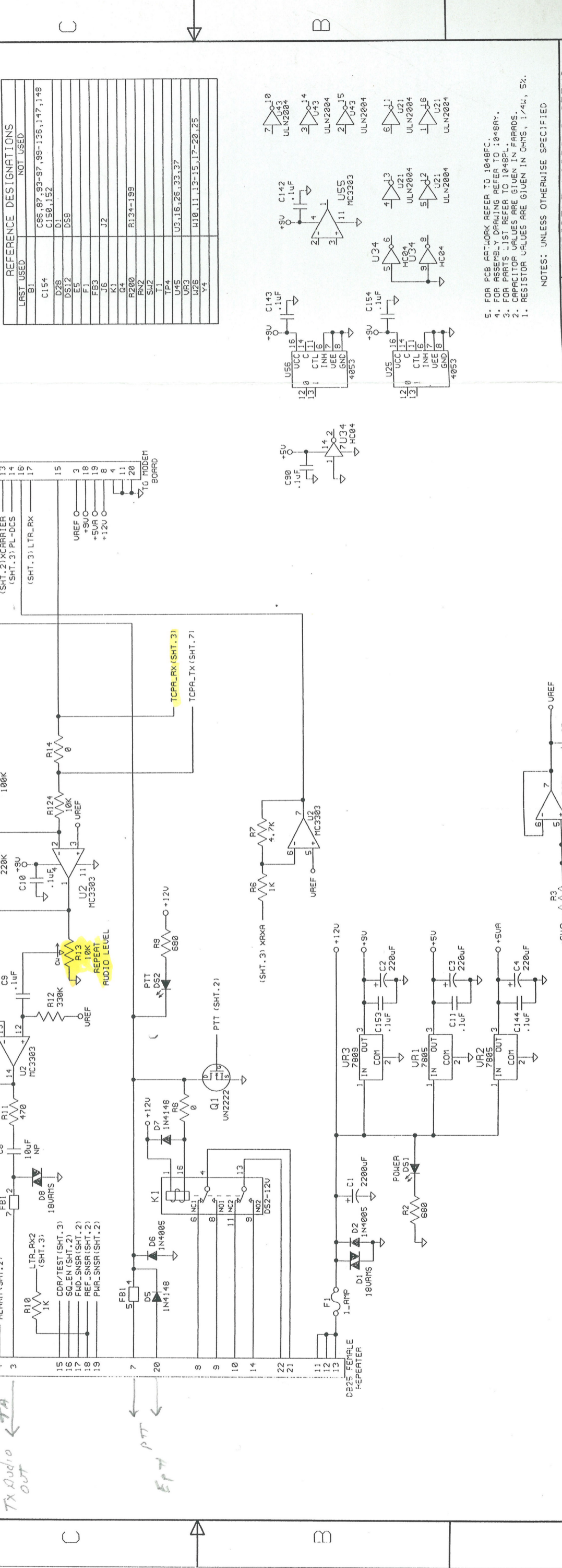


ZONE	REV	DESCRIPTION	DATE	APPROVALS
1.0	PROTOTYPE		10-23-86	
1.1	REVISED PER E0		10-27-87	

THE INFORMATION CONTAINED HEREON IS PROPRIETARY AND CONFIDENTIAL TO TRIDENT MICRO SYSTEMS AND SHALL NOT BE USED OR DISCLOSED, IN WHOLE OR IN PART WITHOUT FIRST OBTAINING THE WRITTEN PERMISSION OF TRIDENT MICRO SYSTEMS.



LAST USED	REFERENCE DESIGNATIONS	NOT USED
B1	C86,87,93-97,99-136,147,149	
C154	C150,152	
D28	D1	
DS12	DS8	
E5		
F1		
FB3		
J6	J2	
K1		
Q4		
R200	R134-199	
RN2		
SL2		
T1		
TP4		
U45	U3,16,26,32,37	
UR3		
U26	U10,11,13-15,17-20,25	
Y4		

NOTES: UNLESS OTHERWISE SPECIFIED:
 5. FOR PCB artwork REFER TO 1049SC.
 4. FOR ASSEMBLY DRAWING REFER TO 1049AY.
 3. FOR PARTS LIST REFER TO 1049PL.
 2. CAPACITOR VALUES ARE GIVEN IN FARADS.
 1. RESISTOR VALUES ARE GIVEN IN OHMS, 1/4W, 5%.

CONTRACT NO.	TRIDENT MICRO SYSTEMS
DRAWN	DCH Consulting
CHECK	
ENGINEER	
MANAGER	
FILE	

UNLESS SPECIFIED OTHERWISE: DIMENSIONS ARE IN INCHES	ANGULAR DEC: 1/16 DIM: 0.0005 TOLERANCES: XX - 0.003 XXX - 0.0015
DO NOT SCALE DRAWING	
MATERIAL	
FINISH	
USED ON	
NEXT ASSY	
APPLICATION	

SCALE N/A	RELEASE DATE	1049SC	SHEET 1 OF 5
-----------	--------------	--------	--------------

Dis in RD
 TX Data TD
 TX Audio TA
 OUT
 PTT

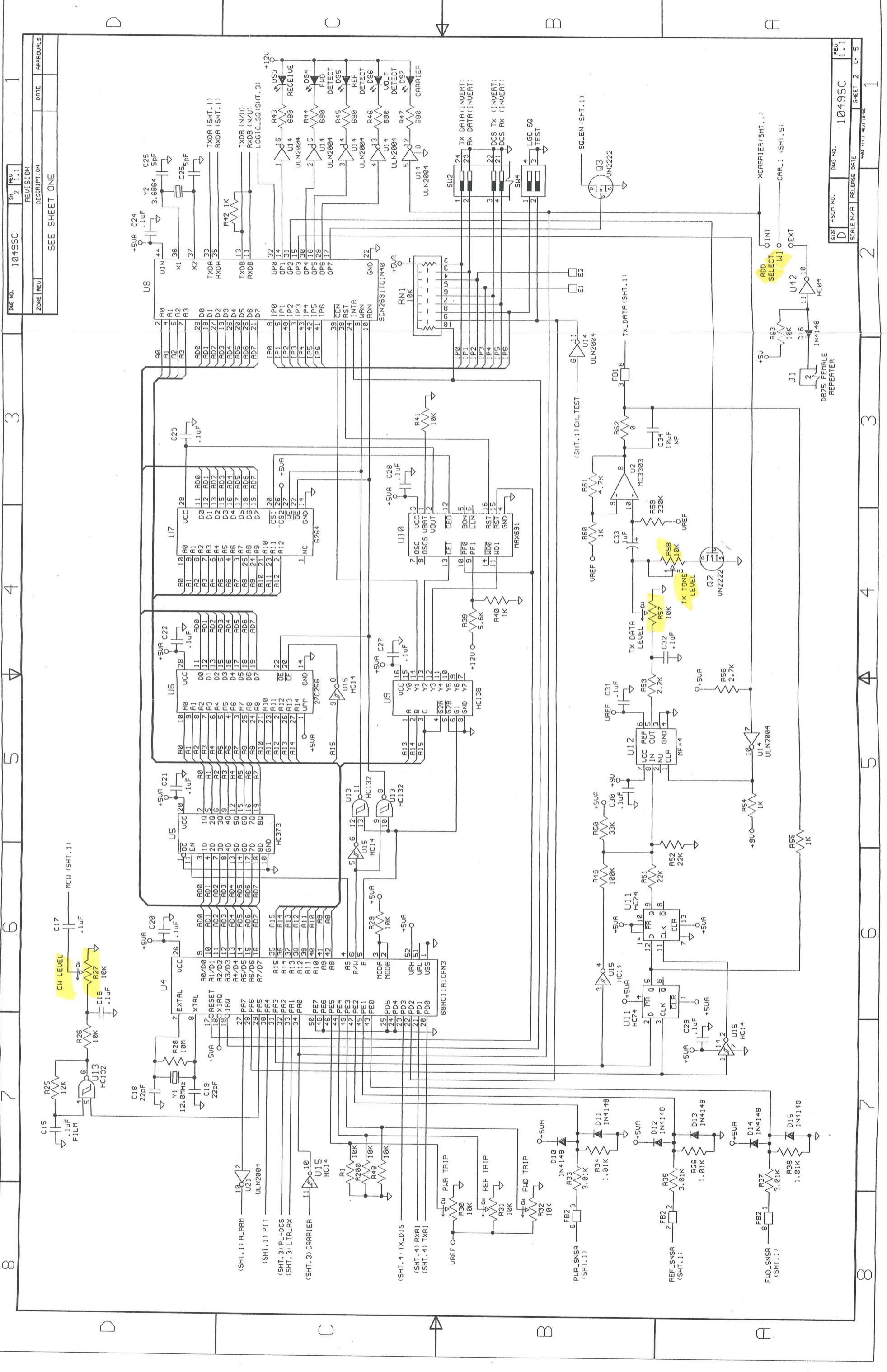
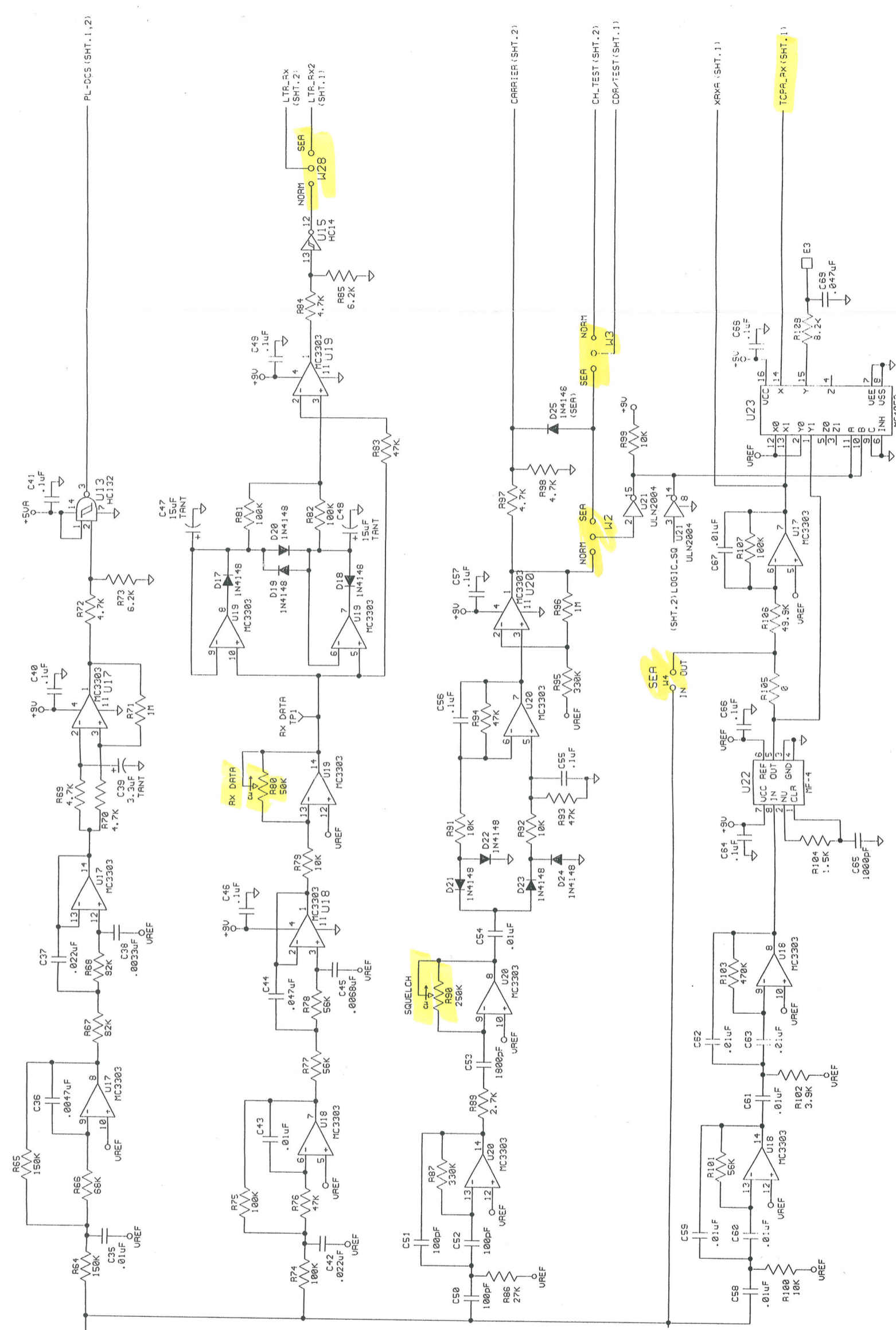
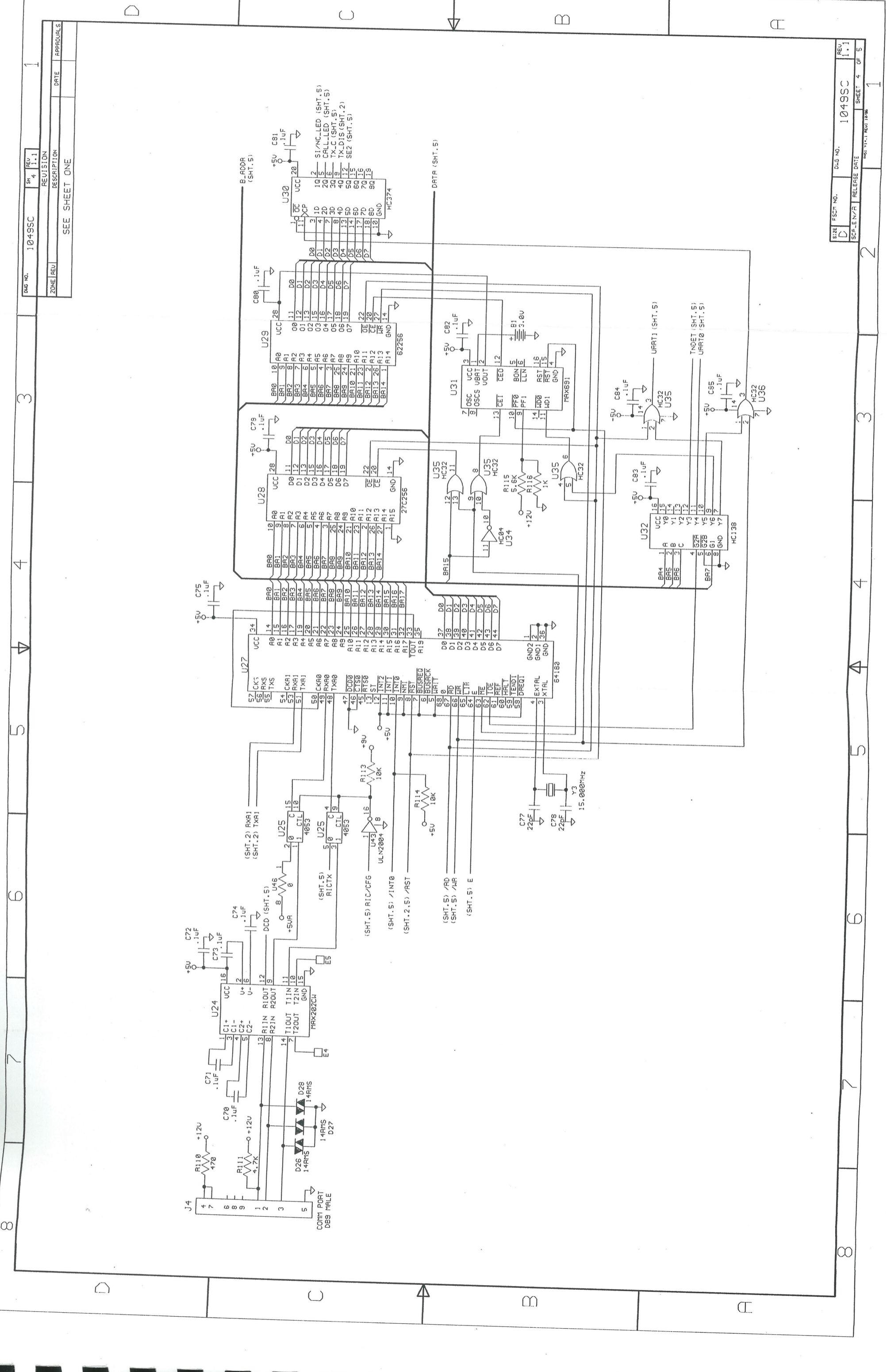
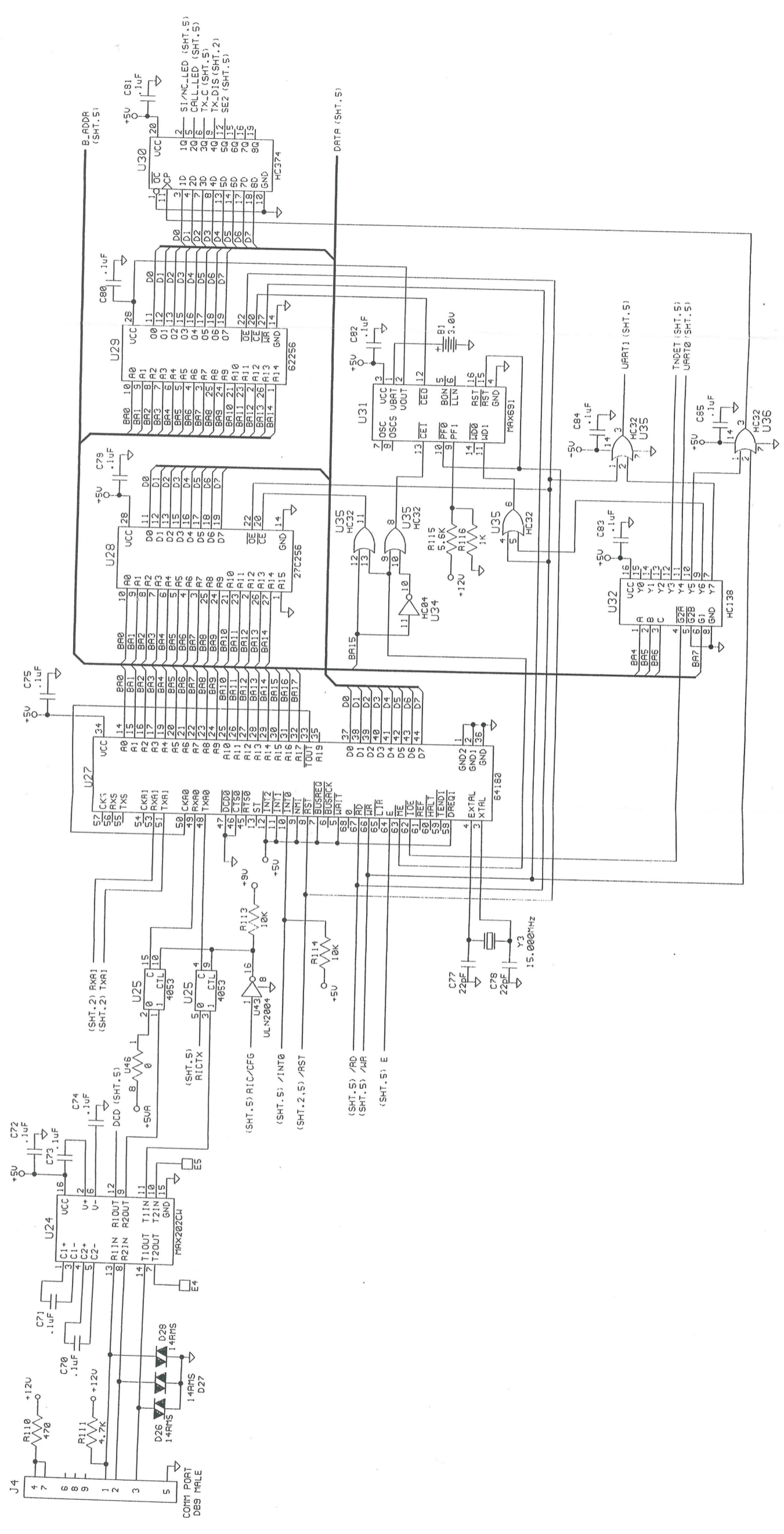
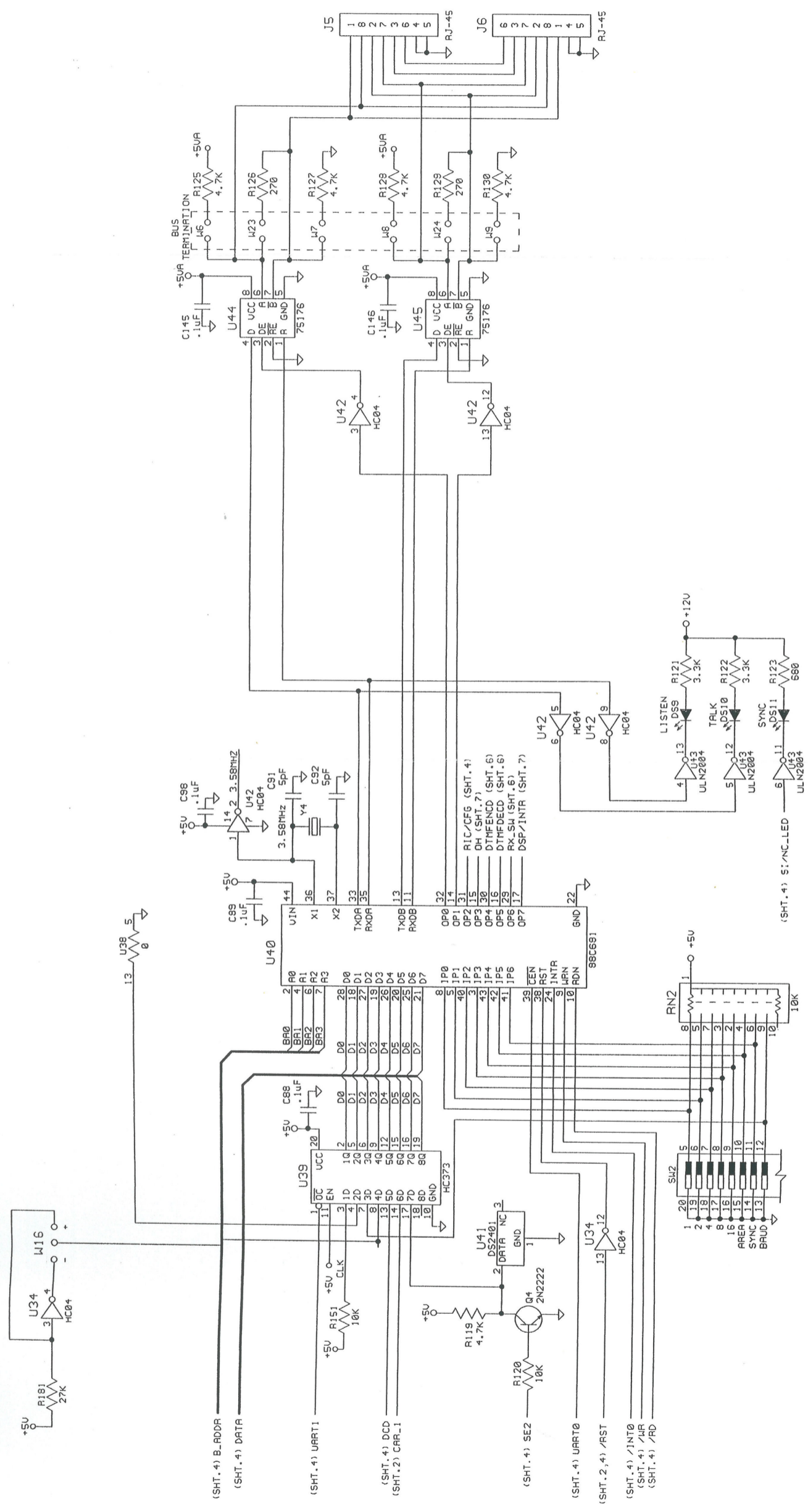


FIG. NO.	1049SC	REV.	2	REV.	1.1
ZONE	REV.	DESCRIPTION	DATE	APPROVALS	
SEE SHEET ONE					

SIZE	D	FSC# NO.		DWG. NO.	1049SC
SCALE	N/A	RELEASE DATE			
SHEET 2 OF 5					







1 2 3 4 5 6 7 8

A B C D