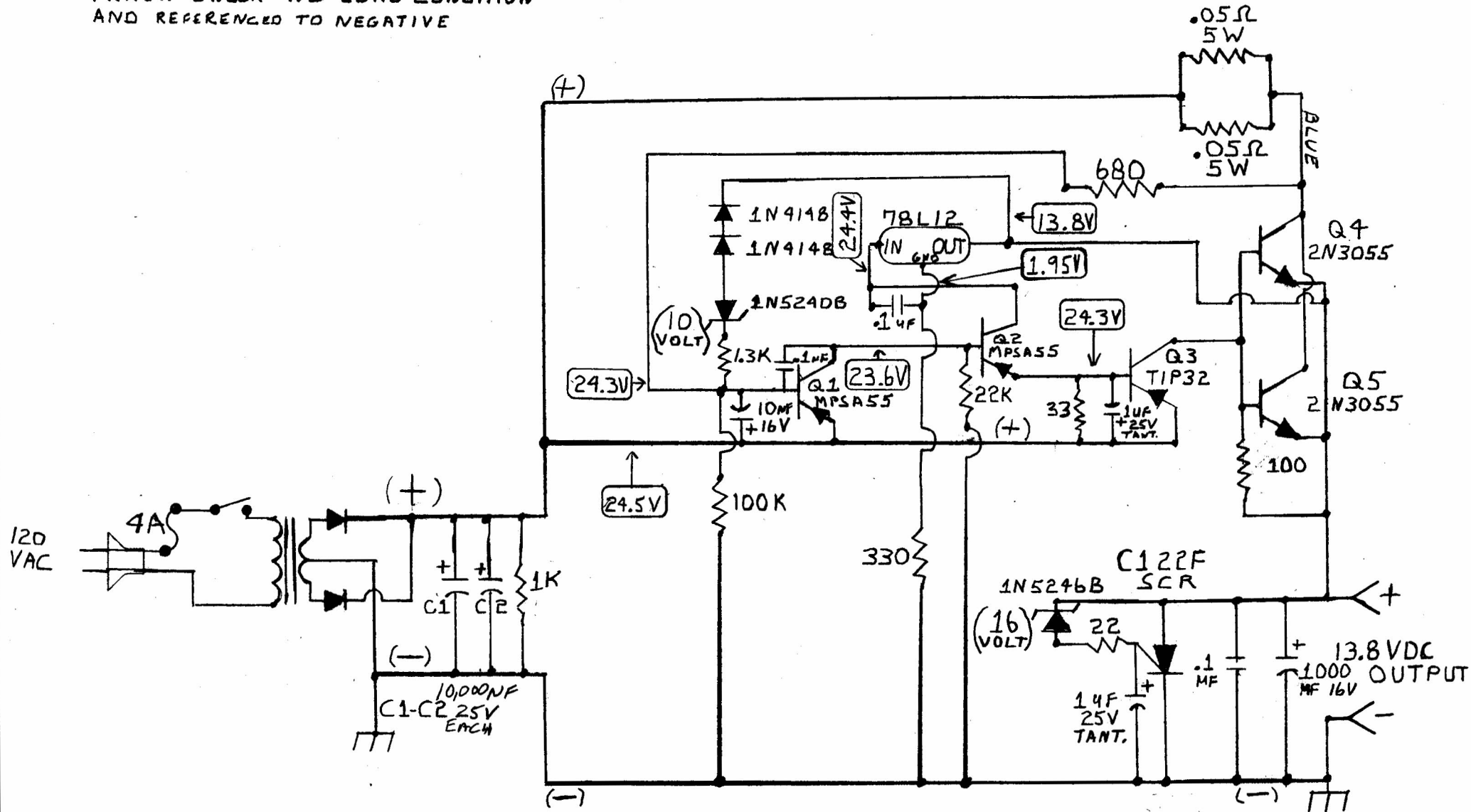
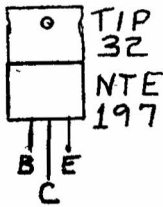
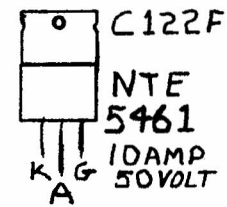
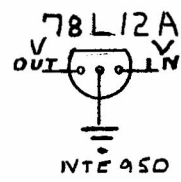
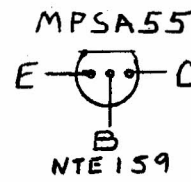


ALL RESISTORS ARE 1/2 WATT
UNLESS OTHERWISE NOTED

ALL VOLTAGES ARE +VDC AND
TAKEN UNDER NO LOAD CONDITION
AND REFERENCED TO NEGATIVE



VISTA XX-R REGULATED POWER SUPPLY
SOLID STATE ACTIVE REGULATOR 16 AMP CONT.

REDRAWN BY MICROTECH
1-20-20