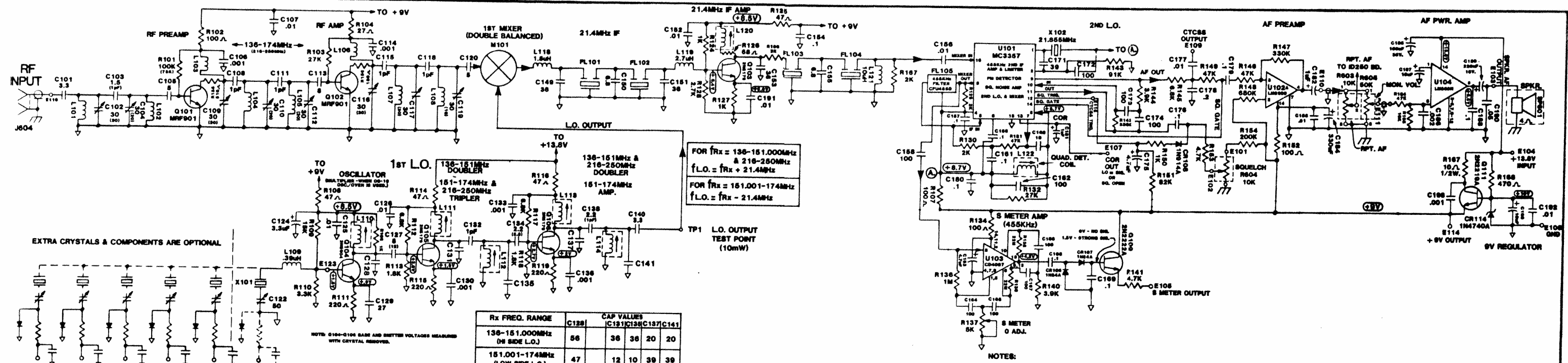


TC100 TABLE A

4/OFF	PATCH INHIBIT/RESET
02-7	E1 → TO E9 ON SCAP
303-5	E19 → NOT USED
USED	E25 → TO S608-2B
603-4	E26 → NOT USED
USED	E32 → TO E11 ON SCAP

UPS ALSO POSSIBLE

8606 & 8607 TERMINALS WITH 'A' SUFFIX ARE FRONT DECK; TERMINALS WITH 'B' SUFFIX ARE REAR DECK.
 WIRE COLOR CODES ARE SHOWN NEXT TO TERMINAL NUMBERS.
 (R) - "TOUCH TONE" IS A REGISTERED TRADEMARK OF AT & T.



SCR200 RECEIVER

- NOTES:**
- 1) COMPONENTS SHOWN IN DASHED LINES (EXCEPT COILS) ARE LOCATED OFF THE BOARD.
 - 2) ARROWS SHOW DIRECTION OF SIGNAL FLOW.
 - 3) EXCEPT AS INDICATED, DECIMAL VALUES OF CAPACITANCE ARE IN MICROFARADS (μF); OTHERS ARE IN PICOFARADS (pF).
 - 4) () DENOTES VALUE CHANGES FOR 216-250MHz.

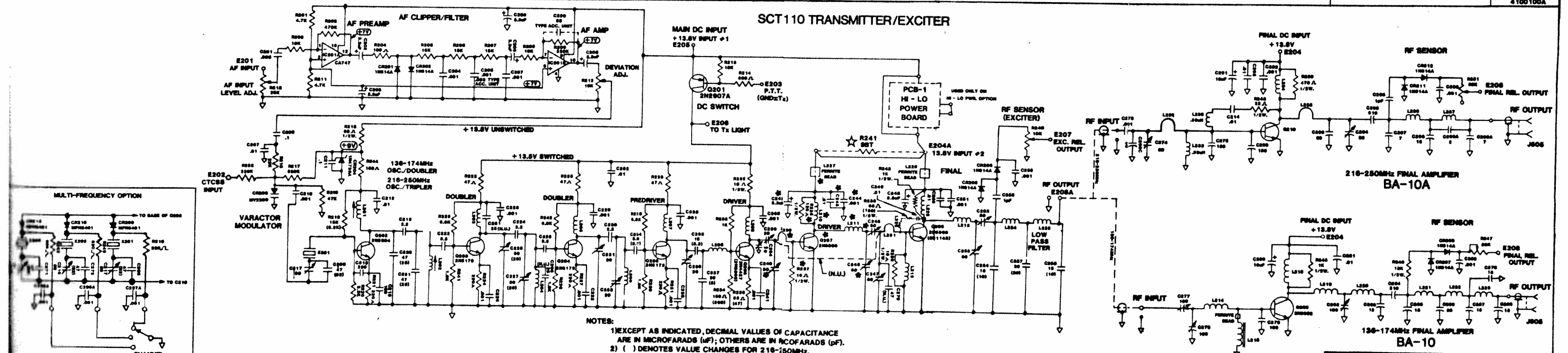
SPECTRUM COMMUNICATIONS

SCALE: 12-22-80 APPROVED BY: [Signature] DRAWN BY: R.L.A.

VHF REPEATER RECEIVER

DATE: 12-22-80

REVISION NUMBER: 4100100A



- NOTES:**
- 1) EXCEPT AS INDICATED, DECIMAL VALUES OF CAPACITANCE ARE IN MICROFARADS (μF); OTHERS ARE IN PICOFARADS (pF).
 - 2) () DENOTES VALUE CHANGES FOR 216-250MHz.
 - 3) (N.L.) DENOTES PARTS NOT USED FOR 216-250MHz.
 - 4) * DENOTES EXTRA PARTS USED FOR 216-250MHz.
 - 5) * RESISTOR USED FOR LOW POWER OPTION ONLY.
 - 6) FOR 10-12W, 136-174MHz UNIT, Q208 IS ASD1143.

SPECTRUM COMMUNICATIONS

SCALE: 12-22-80 APPROVED BY: [Signature] DRAWN BY: R.L.A.

VHF REPEATER TRANSMITTER

DATE: 12-22-80

REVISION NUMBER: 4100100A