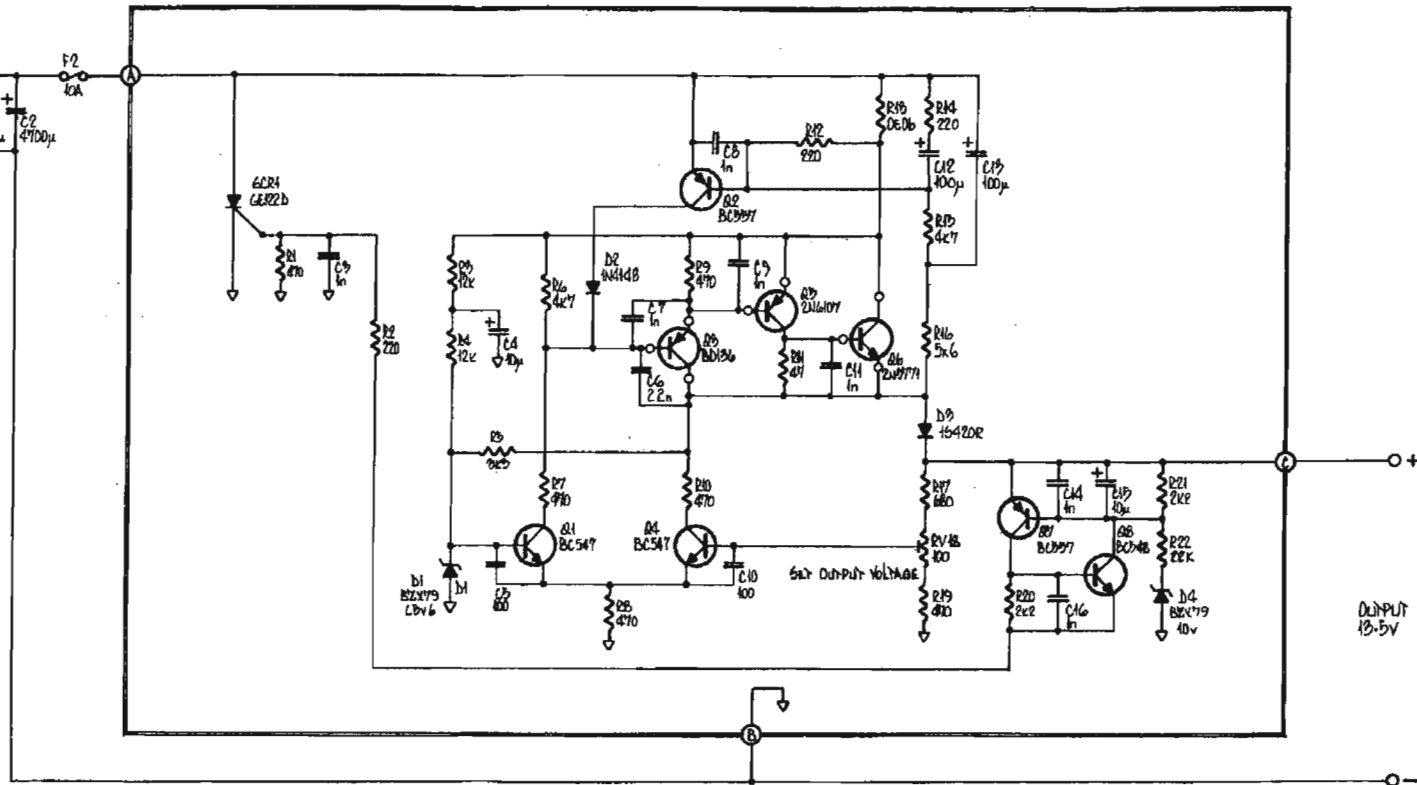


	T236/04	T236/06
T1 :	T402B	T4056
Neon Lamp	1PL 260-00010-15	1PL 260-00010-15
4	245v Yellow	120v Yellow
3	230v Orange	115v Orange
2	210v Red	110v Red
1	0v Black	0v Black
7	White	Brown/Yellow



- NOTE
1. 82 Mounts on underside of P.C.B. & fits into hole in heatsink
 2. 83, 85 & 86 mounted on heatsink