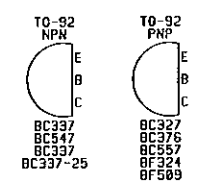
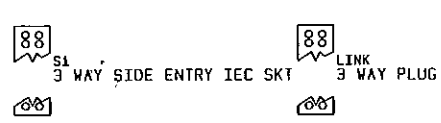
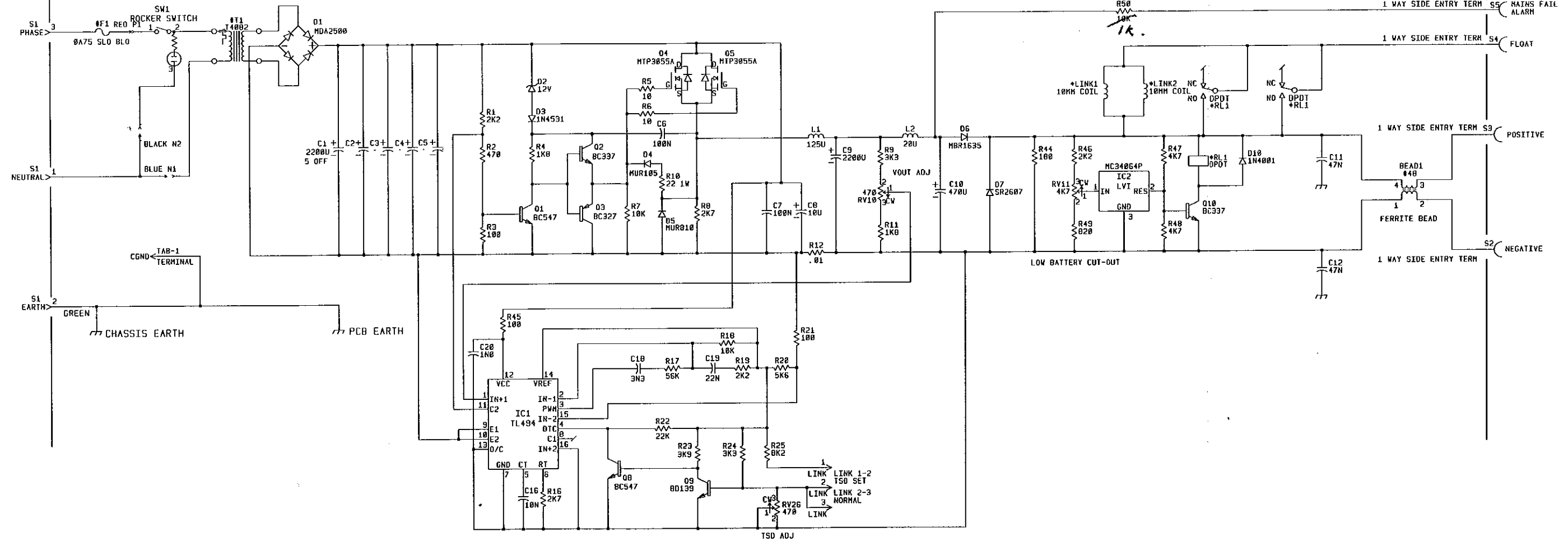


#VOLTAGE	#T1	#F1
230V	T4002	0A75FUSE
120V	T4003	1A5FUSE

*RELAY	*LINK1	*LINK2	*RL1
FITTED	-	-	0Z-SS-1120
NOT-FITTED	560	560	-



TITLE

T806
POWER SUPPLY

TAIT ELECTRONICS NEW ZEALAND

DRAWING NO:	SHEET 1	ISSUE
IPN: 220-01230-01	OF 1	D
FILE NAME: 806PSL10	FILE DATE: 14/06/92	

ISSUE:	AMENDMENTS:	DRAWN:	CHKD:	APVD:	DATE:
1D	ADDED ASSEMBLY DRAWINGS.	M. CLYNE			1/06/92
1C	ADDED 120V VERSION.	M. CLYNE	G. SNELLING		21/08/91
1B	C/N: 91/00-009.	M. HALL	N. KELLER	N. KELLER	19/08/91
1A	C/N: 91/00-703.	M. HALL	N. KELLER	N. KELLER	04/06/91
P1	PROTOTYPE	M. HALL	N. KELLER	N. KELLER	