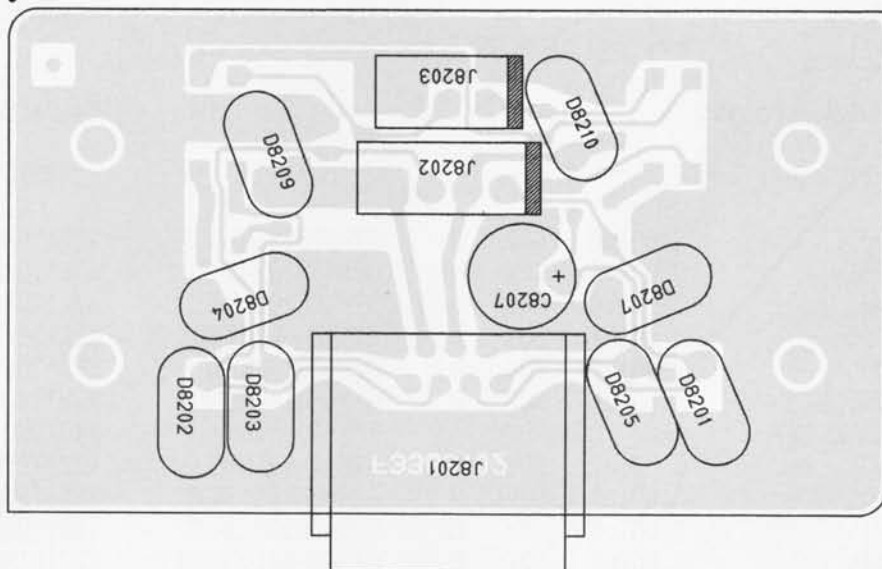
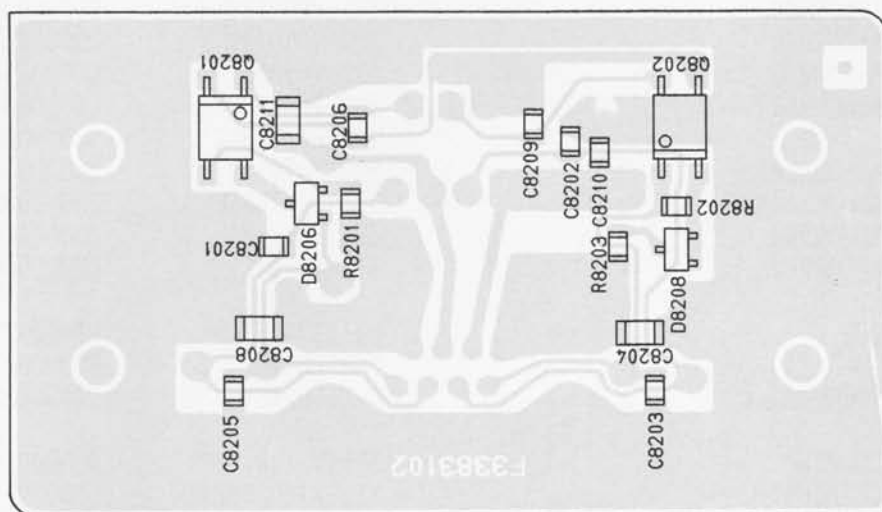


Parts Layout

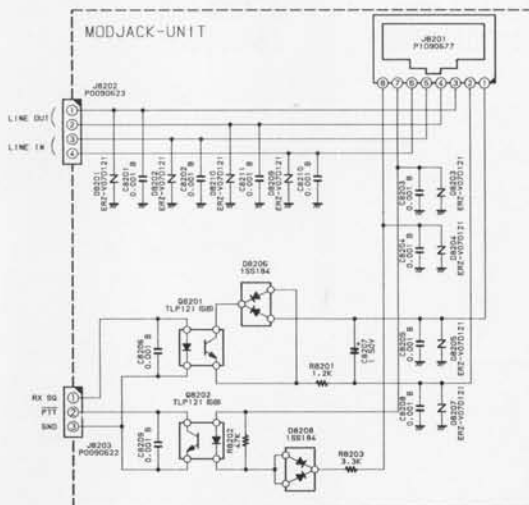


obverse view of component side

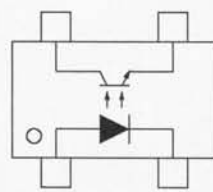


obverse view of chip side

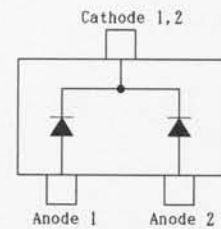
Circuit Diagram



- ① RX SQ HI
- ② RX SQ LO
- ③ LINE IN
- ④ LINE OUT
- ⑤ TX KEY HI
- ⑥ TX KEY LO



TLP121 (Q8201,8202)



1SS184 (B3) (D8206,8208)

MOD JACK UNIT

REF.	DESCRIPTION	VALUE	WV	TOL.	MFGR'S DESIG	YAESU P/N	VERS.
*** MOD JACK UNIT ***							
	PCB With Components					CA1320001	
	Printed Circuit Board					F3383102	
C 8201	CHIP CAP.	0.001uF	50V	B	GRM40B102M50PT	K22170805	
C 8202	CHIP CAP.	0.001uF	50V	B	GRM40B102M50PT	K22170805	
C 8203	CHIP CAP.	0.001uF	50V	B	GRM40B102M50PT	K22170805	
C 8204	CHIP CAP.	0.001uF	50V	B	GRM42-6B102M50PT	K22171801	
C 8205	CHIP CAP.	0.001uF	50V	B	GRM40B102M50PT	K22170805	
C 8206	CHIP CAP.	0.001uF	50V	B	GRM40B102M50PT	K22170805	
C 8207	AL. ELECTRO. CAP.	1uF	50V		RC2-50V010M	K40179001	
C 8208	CHIP CAP.	0.001uF	50V	B	GRM42-6B102M50PT	K22171801	
C 8209	CHIP CAP.	0.001uF	50V	B	GRM40B102M50PT	K22170805	
C 8210	CHIP CAP.	0.001uF	50V	B	GRM40B102M50PT	K22170805	
C 8211	CHIP CAP.	0.001uF	50V	B	GRM42-6B102M50PT	K22171801	
D 8201	SURGE ABSORBER				ERZ-V07D121	Q9000604	
D 8202	SURGE ABSORBER				ERZ-V07D121	Q9000604	
D 8203	SURGE ABSORBER				ERZ-V07D121	Q9000604	
D 8204	SURGE ABSORBER				ERZ-V07D121	Q9000604	
D 8205	SURGE ABSORBER				ERZ-V07D121	Q9000604	
D 8206	DIODE				1SS184 TE85R	G2070009	
D 8207	SURGE ABSORBER				ERZ-V07D121	Q9000604	
D 8208	DIODE				1SS184 TE85R	G2070009	
D 8209	SURGE ABSORBER				ERZ-V07D121	Q9000604	
D 8210	SURGE ABSORBER				ERZ-V07D121	Q9000604	
J 8201	CONNECTOR				R41-2736H	P1090677	
J 8202	CONNECTOR				SC25-04WS	P0090623	
J 8203	CONNECTOR				SC25-03WS	P0090622	
Q 8201	PHOTO COUPLER				TLP121 (GB-TPR)	G0090019	
Q 8202	PHOTO COUPLER				TLP121 (GB-TPR)	G0090019	
R 8201	CHIP RES.	1.2K	1/10W	5%	RMC1/10T 122J	J24205122	
R 8202	CHIP RES.	47K	1/10W	5%	RMC1/10T 473J	J24205473	
R 8203	CHIP RES.	3.3K	1/10W	5%	RMC1/10T 332J	J24205332	

# Circuit Diagram

