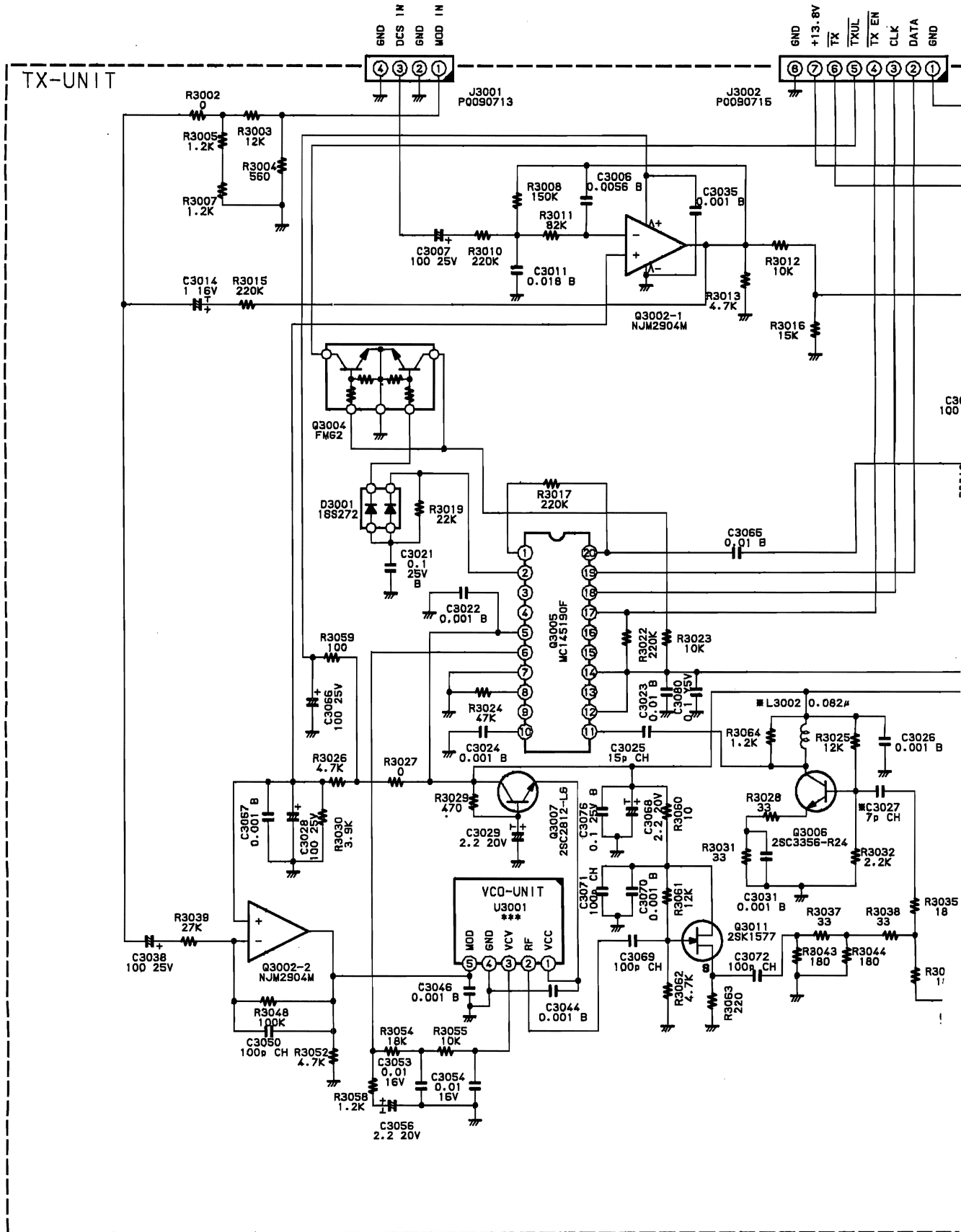
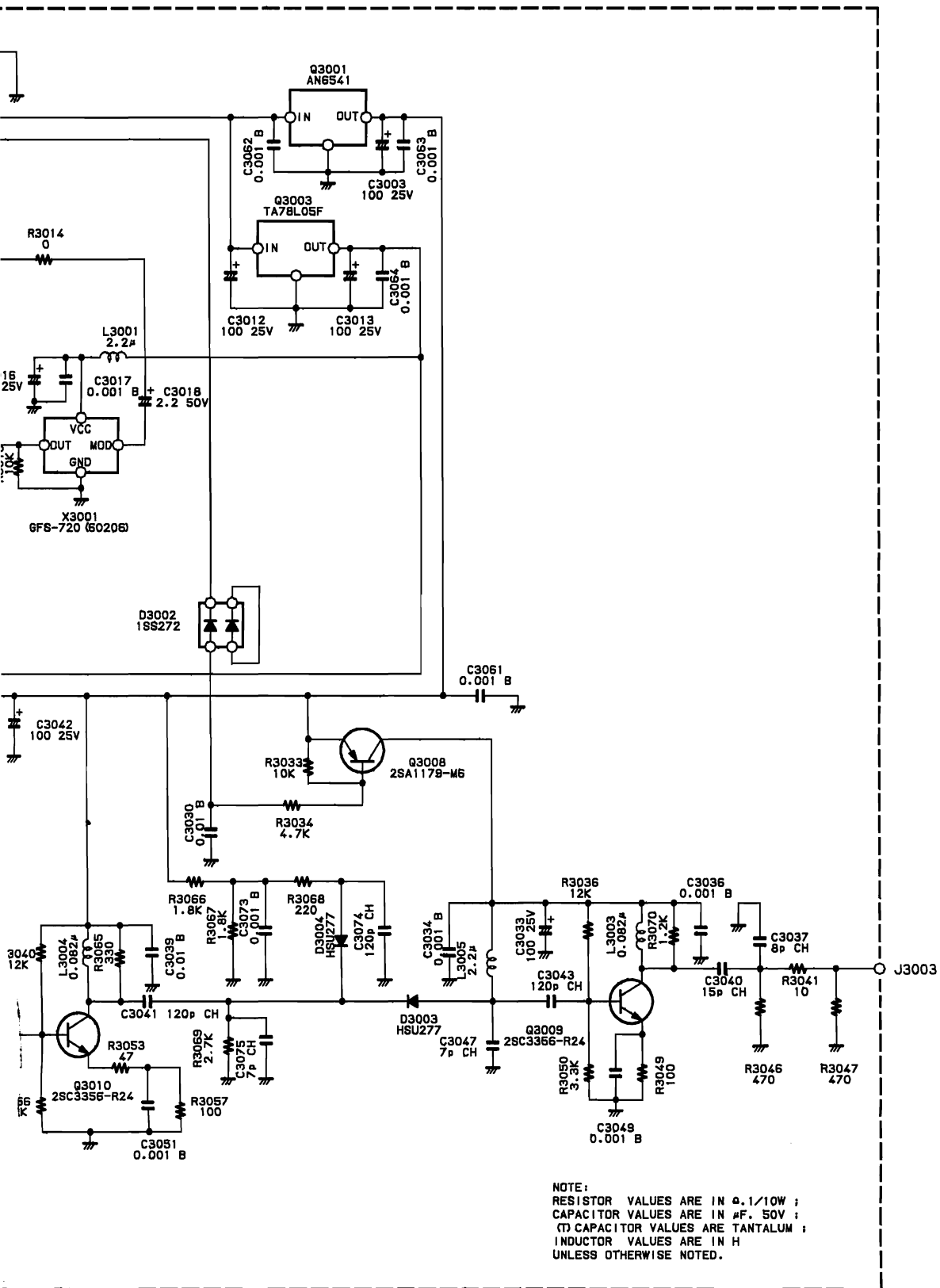
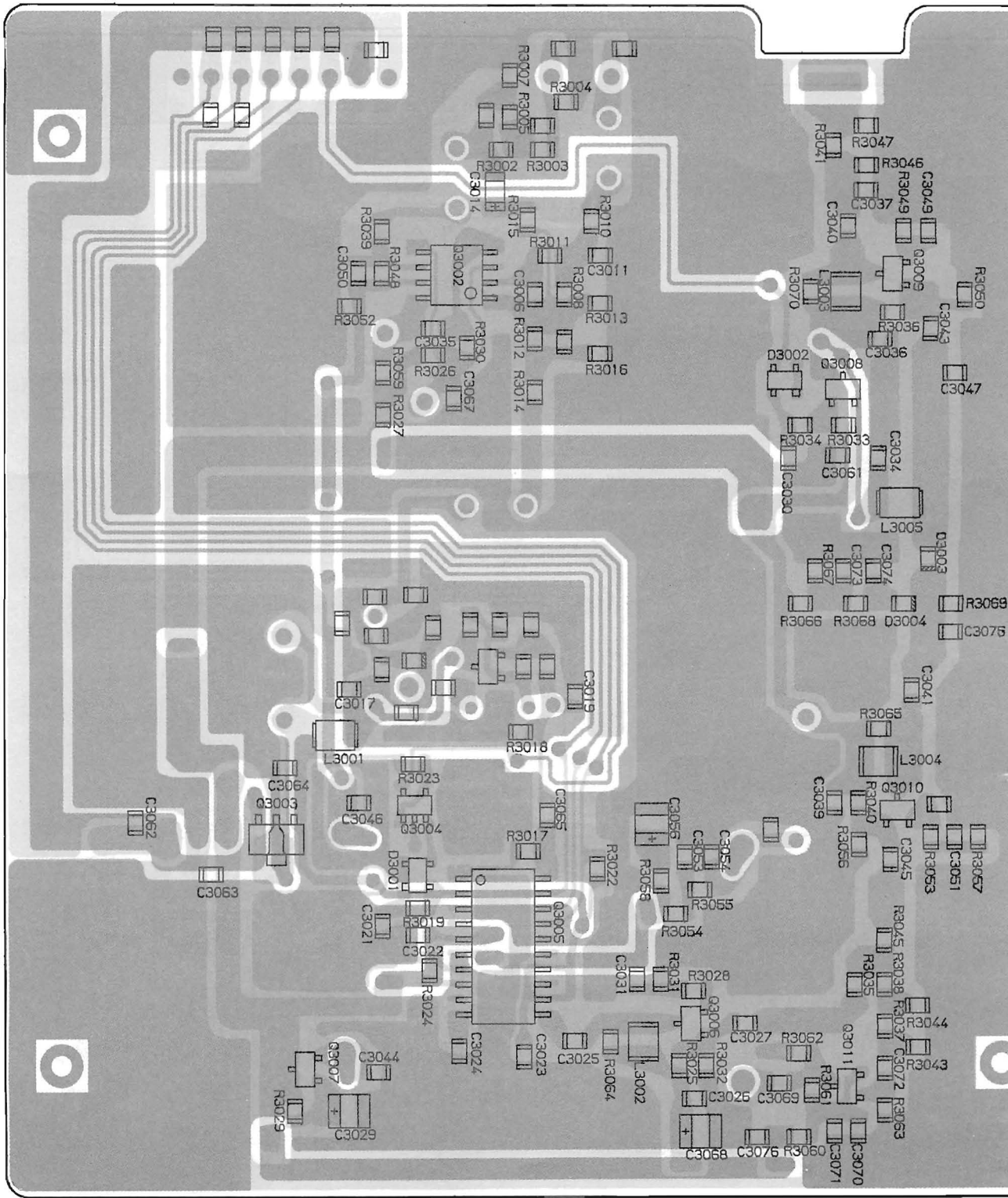


Circuit Diagram

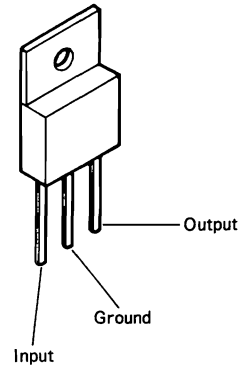




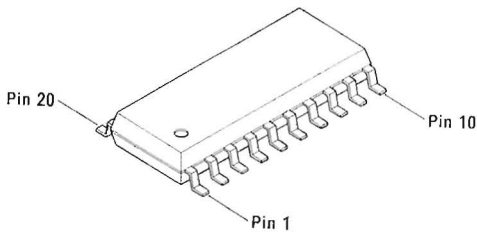
Parts Layout



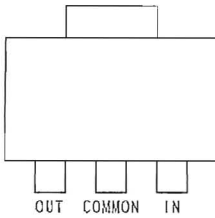
obverse view of chip



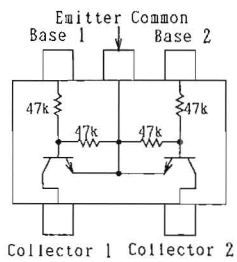
**AN6541
(Q3001)**



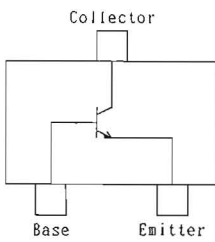
MC145190FER
(Q3005)



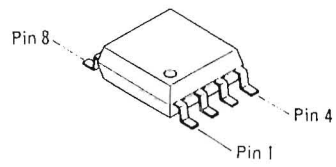
TA78L05F
(Q3003)



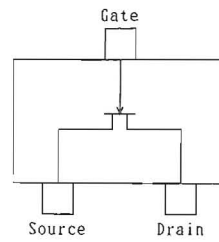
FMG2 (G2)
(Q3004)



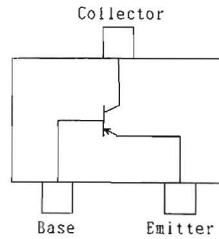
2SC2812 (L6)
(Q3007)
2SC3356 (R24)
(Q3006,3009,3010)



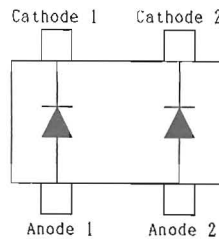
NJM2904M
(Q3002)



2SK1577 (P1)
(Q3011)



2SA1179 (M6)
(Q3008)



1SS272 (A1)
(D3001,3002)

side

REF.	DESCRIPTION	VALUE	WV	TOL.	MFGR'S DESIG	YAESU P/N	VERS.	LOT.	LAY	ADR
*** TX UNIT ***										
	PCB with Components					CA0970001	TYP BS1			
	(W/O TX VCO UNIT, J3003 CONNECTOR, SHIELD CASE					CA0970002	TYP A	6-		
	SHIELD FRAME, SPECIAL NUT(4pcs), LEAF SPRING)					CA0970003	TYP B	6-		
						CA0970004	TYP C	6-		
	PCB with Components					CS1291001	TYP BS1			
	(W/O J3003 CONNECTOR, SHIELD CASE, SHIELD FRAME,					CS1291002	TYP A	6-		
	SPECIAL NUT(4pcs), LEAF SPRING)					CS1291003	TYP B	6-		
						CS1291004	TYP C	6-		
	Printed Circuit Board					F3379000				
C 3003	AL. ELECTRO. CAP.	100uF	25V		25V101M6X11TR5	K46140005				
C 3006	CHIP CAP.	0.0056uF	50V	B	GRM40B562M50PT	K22170814				
C 3007	AL. ELECTRO. CAP.	100uF	25V		25V101M6X11TR5	K46140005				
C 3011	CHIP CAP.	0.018uF	50V	B	GRM40B183M50PT	K22170820				
C 3012	AL. ELECTRO. CAP.	100uF	25V		25V101M6X11TR5	K46140005				
C 3013	AL. ELECTRO. CAP.	100uF	25V		25V101M6X11TR5	K46140005				
C 3014	TANTALUM CHIP CAP.	1uF	16V		TESVA1C105M1-8R	K78120009				
C 3016	AL. ELECTRO. CAP.	100uF	25V		25V101M6X11TR5	K46140005				
C 3017	CHIP CAP.	0.001uF	50V	B	GRM40B102M50PT	K22170805				
C 3018	AL. ELECTRO. CAP.	2.2uF	50V		50V2R2M5X11TR5	K46170018				
C 3021	CHIP CAP.	0.1uF	25V	B	GRM40B104M25PT	K22140811				
C 3022	CHIP CAP.	0.001uF	50V	B	GRM40B102M50PT	K22170805				
C 3023	CHIP CAP.	0.01uF	50V	B	GRM40B103M50PT	K22170817				
C 3024	CHIP CAP.	0.001uF	50V	B	GRM40B102M50PT	K22170805				
C 3025	CHIP CAP.	15pF	50V	CH	GRM40CH150J50PT	K22170215				
C 3026	CHIP CAP.	0.001uF	50V	B	GRM40B102M50PT	K22170805				
C 3027	CHIP CAP.	2pF	50V	CK	GRM40CK020C50PT	K22170203	TYP A	6-		
C 3027	CHIP CAP.	7pF	50V	CH	GRM40CH070D50PT	K22170208	TYP B	6-		
C 3027	CHIP CAP.	7pF	50V	CH	GRM40CH070D50PT	K22170208	TYP BS1			
C 3027	CHIP CAP.	7pF	50V	CH	GRM40CH070D50PT	K22170208	TYP C	6-		
C 3028	AL. ELECTRO. CAP.	100uF	25V		25V101M6X11TR5	K46140005				
C 3029	TANTALUM CHIP CAP.	2.2uF	20V		TESVB21D225M8R	K78130010				
C 3030	CHIP CAP.	0.01uF	50V	B	GRM40B103M50PT	K22170817				
C 3031	CHIP CAP.	0.001uF	50V	B	GRM40B102M50PT	K22170805				
C 3033	AL. ELECTRO. CAP.	100uF	25V		25V101M6X11TR5	K46140005				
C 3034	CHIP CAP.	0.001uF	50V	B	GRM40B102M50PT	K22170805				
C 3035	CHIP CAP.	0.001uF	50V	B	GRM40B102M50PT	K22170805				
C 3036	CHIP CAP.	0.001uF	50V	B	GRM40B102M50PT	K22170805				
C 3037	CHIP CAP.	8pF	50V	CH	GRM40CH080D50PT	K22170209				
C 3038	AL. ELECTRO. CAP.	100uF	25V		25V101M6X11TR5	K46140005				
C 3039	CHIP CAP.	0.01uF	50V	B	GRM40B103M50PT	K22170817				
C 3040	CHIP CAP.	15pF	50V	CH	GRM40CH150J50PT	K22170215				
C 3041	CHIP CAP.	120pF	50V	CH	GRM40CH121J50PT	K22170237				
C 3042	AL. ELECTRO. CAP.	100uF	25V		25V101M6X11TR5	K46140005				
C 3043	CHIP CAP.	120pF	50V	CH	GRM40CH121J50PT	K22170237				
C 3044	CHIP CAP.	0.001uF	50V	B	GRM40B102M50PT	K22170805				
C 3045	CHIP CAP.	7pF	50V	CH	GRM40CH070D50PT	K22170208				
C 3046	CHIP CAP.	0.001uF	50V	B	GRM40B102M50PT	K22170805				
C 3047	CHIP CAP.	7pF	50V	CH	GRM40CH070D50PT	K22170208				
C 3049	CHIP CAP.	0.001uF	50V	B	GRM40B102M50PT	K22170805				

REF.	DESCRIPTION	VALUE	WV	TOL.	MFGR'S DESIG	YAESU P/N	VERS.	LOT.	LAY	ADR
C 3050	CHIP CAP.	100pF	50V	CH	GRM40CH101J50PT	K22170235				
C 3051	CHIP CAP.	0.001uF	50V	B	GRM40B102M50PT	K22170805				
C 3053	FILM CAP.	0.01uF	16V		ECHU1C103JB5	K57120007				
C 3054	FILM CAP.	0.01uF	16V		ECHU1C103JB5	K57120007				
C 3056	TANTALUM CHIP CAP.	2.2uF	20V		TESVB21D225M8R	K78130010				
C 3061	CHIP CAP.	0.001uF	50V	B	GRM40B102M50PT	K22170805				
C 3062	CHIP CAP.	0.001uF	50V	B	GRM40B102M50PT	K22170805				
C 3063	CHIP CAP.	0.001uF	50V	B	GRM40B102M50PT	K22170805				
C 3064	CHIP CAP.	0.001uF	50V	B	GRM40B102M50PT	K22170805				
C 3065	CHIP CAP.	0.01uF	50V	B	GRM40B103M50PT	K22170817				
C 3066	AL. ELECTRO. CAP.	100uF	25V		25V101M6X11TR5	K46140005				
C 3067	CHIP CAP.	0.001uF	50V	B	GRM40B102M50PT	K22170805				
C 3068	TANTALUM CHIP CAP.	2.2uF	20V		TESVB21D225M8R	K78130010				
C 3069	CHIP CAP.	100pF	50V	CH	GRM40CH101J50PT	K22170235				
C 3070	CHIP CAP.	0.001uF	50V	B	GRM40B102M50PT	K22170805				
C 3071	CHIP CAP.	100pF	50V	CH	GRM40CH101J50PT	K22170235				
C 3072	CHIP CAP.	100pF	50V	CH	GRM40CH101J50PT	K22170235				
C 3073	CHIP CAP.	0.001uF	50V	B	GRM40B102M50PT	K22170805				
C 3074	CHIP CAP.	120pF	50V	CH	GRM40CH121J50PT	K22170237				
C 3075	CHIP CAP.	7pF	50V	CH	GRM40CH070D50PT	K22170208				
C 3076	CHIP CAP.	0.1uF	25V	B	GRM40B104M25PT	K22140811				
C 3080	CERAMIC CAP.	0.1uF	50V	Y5V	D33Y5V1H104Z51	K23170032				
D 3001	DIODE				1SS272 TE85R	G2070048				
D 3002	DIODE				1SS272 TE85R	G2070048				
D 3003	DIODE				HSU277	G2070118				
D 3004	DIODE				HSU277	G2070118				
J 3001	CONNECTOR				SC25-04WL	P0090713				
J 3002	CONNECTOR				SC25-08WL	P0090715				
J 3003	CONNECTOR				BNC-RM-1 (W/O LUG)	P1090773A				
L 3001	M. RFC	2.2uH			FLC32T-2R2K	L1690207				
L 3002	CHIP COIL	0.22uH			LQN2A822K	L1690003	TYP A	6-		
L 3002	CHIP COIL	0.082uH			LQN2A82NM	L1690010	TYP B	6-		
L 3002	CHIP COIL	0.082uH			LQN2A82NM	L1690010	TYP BS1			
L 3002	CHIP COIL	0.082uH			LQN2A82NM	L1690010	TYP C	6-		
L 3003	CHIP COIL	0.082uH			LQN2A82NM	L1690010				
L 3004	CHIP COIL	0.082uH			LQN2A82NM	L1690010				
L 3005	M. RFC	2.2uH			FLC32T-2R2K	L1690207				
Q 3001	IC				AN6541	G1091146				
Q 3002	IC				NJM2904M-T2	G1091374				
Q 3003	IC				TA78L05F TE12R	G1091014				
Q 3004	TRANSISTOR				FMG2 T99	G3070015				
Q 3005	IC				MC145190FER	G1091621				
Q 3006	TRANSISTOR				2SC3356-T2B R24	G3333567D				
Q 3007	TRANSISTOR				2SC2812L6-TA	G3328127F				
Q 3008	TRANSISTOR				2SA1179M6-TA	G3111797F				
Q 3009	TRANSISTOR				2SC3356-T2B R24	G3333567D				
Q 3010	TRANSISTOR				2SC3356-T2B R24	G3333567D				
Q 3011	FET				2SK1577	G3815777				
R 3002	CHIP RES.	0	1/10W	5%	RMC1/10T 000J	J24205000				

REF.	DESCRIPTION	VALUE	WV	TOL	MFGR'S DESIG	YAESU P/N	VERS.	LOT.	LAY	ADR
R 3003	CHIP RES.	12K	1/10W	5%	RMC1/10T 123J	J24205123				
R 3004	CHIP RES.	560	1/10W	5%	RMC1/10T 561J	J24205561				
R 3005	CHIP RES.	1.2K	1/10W	5%	RMC1/10T 122J	J24205122				
R 3007	CHIP RES.	1.2K	1/10W	5%	RMC1/10T 122J	J24205122				
R 3008	CHIP RES.	150K	1/10W	5%	RMC1/10T 154J	J24205154				
R 3010	CHIP RES.	220K	1/10W	5%	RMC1/10T 224J	J24205224				
R 3011	CHIP RES.	82K	1/10W	5%	RMC1/10T 823J	J24205823				
R 3012	CHIP RES.	10K	1/10W	5%	RMC1/10T 103J	J24205103				
R 3013	CHIP RES.	4.7K	1/10W	5%	RMC1/10T 472J	J24205472				
R 3014	CHIP RES.	0	1/10W	5%	RMC1/10T 000J	J24205000				
R 3015	CHIP RES.	220K	1/10W	5%	RMC1/10T 224J	J24205224				
R 3016	CHIP RES.	15K	1/10W	5%	RMC1/10T 153J	J24205153				
R 3017	CHIP RES.	220K	1/10W	5%	RMC1/10T 224J	J24205224				
R 3018	CHIP RES.	10K	1/10W	5%	RMC1/10T 103J	J24205103				
R 3019	CHIP RES.	22K	1/10W	5%	RMC1/10T 223J	J24205223				
R 3022	CHIP RES.	220K	1/10W	5%	RMC1/10T 224J	J24205224				
R 3023	CHIP RES.	10K	1/10W	5%	RMC1/10T 103J	J24205103				
R 3024	CHIP RES.	47K	1/10W	5%	RMC1/10T 473J	J24205473				
R 3025	CHIP RES.	12K	1/10W	5%	RMC1/10T 123J	J24205123				
R 3026	CHIP RES.	4.7K	1/10W	5%	RMC1/10T 472J	J24205472				
R 3027	CHIP RES.	0	1/10W	5%	RMC1/10T 000J	J24205000				
R 3028	CHIP RES.	33	1/10W	5%	RMC1/10T 330J	J24205330				
R 3029	CHIP RES.	470	1/10W	5%	RMC1/10T 471J	J24205471				
R 3030	CHIP RES.	3.9K	1/10W	5%	RMC1/10T 392J	J24205392				
R 3031	CHIP RES.	33	1/10W	5%	RMC1/10T 330J	J24205330				
R 3032	CHIP RES.	2.2K	1/10W	5%	RMC1/10T 222J	J24205222				
R 3033	CHIP RES.	10K	1/10W	5%	RMC1/10T 103J	J24205103				
R 3034	CHIP RES.	4.7K	1/10W	5%	RMC1/10T 472J	J24205472				
R 3035	CHIP RES.	18	1/10W	5%	RMC1/10T 180J	J24205180				
R 3036	CHIP RES.	12K	1/10W	5%	RMC1/10T 123J	J24205123				
R 3037	CHIP RES.	33	1/10W	5%	RMC1/10T 330J	J24205330				
R 3038	CHIP RES.	33	1/10W	5%	RMC1/10T 330J	J24205330				
R 3039	CHIP RES.	27K	1/10W	5%	RMC1/10T 273J	J24205273				
R 3040	CHIP RES.	12K	1/10W	5%	RMC1/10T 123J	J24205123				
R 3041	CHIP RES.	10	1/10W	5%	RMC1/10T 100J	J24205100				
R 3043	CHIP RES.	180	1/10W	5%	RMC1/10T 181J	J24205181				
R 3044	CHIP RES.	180	1/10W	5%	RMC1/10T 181J	J24205181				
R 3045	CHIP RES.	18	1/10W	5%	RMC1/10T 180J	J24205180				
R 3046	CHIP RES.	470	1/10W	5%	RMC1/10T 471J	J24205471				
R 3047	CHIP RES.	470	1/10W	5%	RMC1/10T 471J	J24205471				
R 3048	CHIP RES.	100K	1/10W	5%	RMC1/10T 104J	J24205104				
R 3049	CHIP RES.	100	1/10W	5%	RMC1/10T 101J	J24205101				
R 3050	CHIP RES.	3.3K	1/10W	5%	RMC1/10T 332J	J24205332				
R 3052	CHIP RES.	4.7K	1/10W	5%	RMC1/10T 472J	J24205472				
R 3053	CHIP RES.	47	1/10W	5%	RMC1/10T 470J	J24205470				
R 3054	CHIP RES.	18K	1/10W	5%	RMC1/10T 183J	J24205183				
R 3055	CHIP RES.	10K	1/10W	5%	RMC1/10T 103J	J24205103				
R 3056	CHIP RES.	2.2K	1/10W	5%	RMC1/10T 222J	J24205222				
R 3057	CHIP RES.	100	1/10W	5%	RMC1/10T 101J	J24205101				
R 3058	CHIP RES.	1.2K	1/10W	5%	RMC1/10T 122J	J24205122				
R 3059	CHIP RES.	100	1/10W	5%	RMC1/10T 101J	J24205101				
R 3060	CHIP RES.	10	1/10W	5%	RMC1/10T 100J	J24205100				
R 3061	CHIP RES.	12K	1/10W	5%	RMC1/10T 123J	J24205123				
R 3062	CHIP RES.	4.7K	1/10W	5%	RMC1/10T 472J	J24205472				

REF.	DESCRIPTION	VALUE	WV	TOL.	MFGR'S DESIG	YAESU P/N	VERS.	LOT.	LAY	ADR
R 3063	CHIP RES.	220	1/10W	5%	RMC1/10T 221J	J24205221				
R 3064	CHIP RES.	1.2K	1/10W	5%	RMC1/10T 122J	J24205122				
R 3065	CHIP RES.	330	1/10W	5%	RMC1/10T 331J	J24205331				
R 3066	CHIP RES.	1.8K	1/10W	5%	RMC1/10T 182J	J24205182				
R 3067	CHIP RES.	1.8K	1/10W	5%	RMC1/10T 182J	J24205182				
R 3068	CHIP RES.	220	1/10W	5%	RMC1/10T 221J	J24205221				
R 3069	CHIP RES.	2.7K	1/10W	5%	RMC1/10T 272J	J24205272				
R 3070	CHIP RES.	1.2K	1/10W	5%	RMC1/10T 122J	J24205122				
X 3001	XTAL				GFS-720(60206)	H9500210				
	LEAF SPRING					R0136330A				
	SHIELD FRAME					R0147200				
	SHIELD CASE					R0519070A				
	SPECIAL NUT (4pcs)					R6068590				