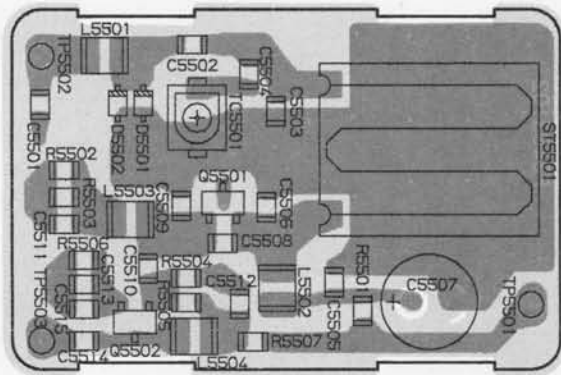
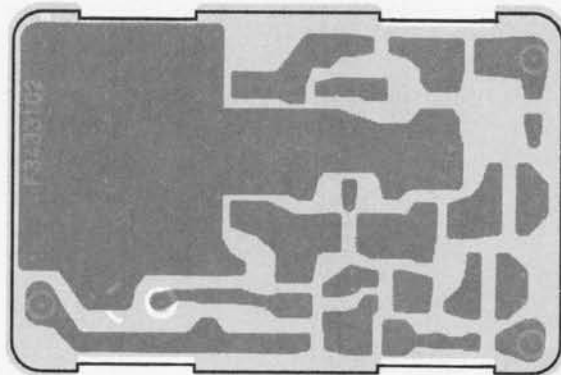


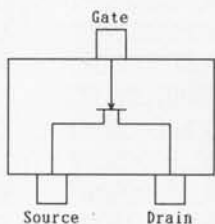
Parts Layout



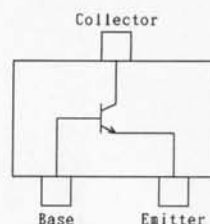
obverse view of component side



obverse view of solder side

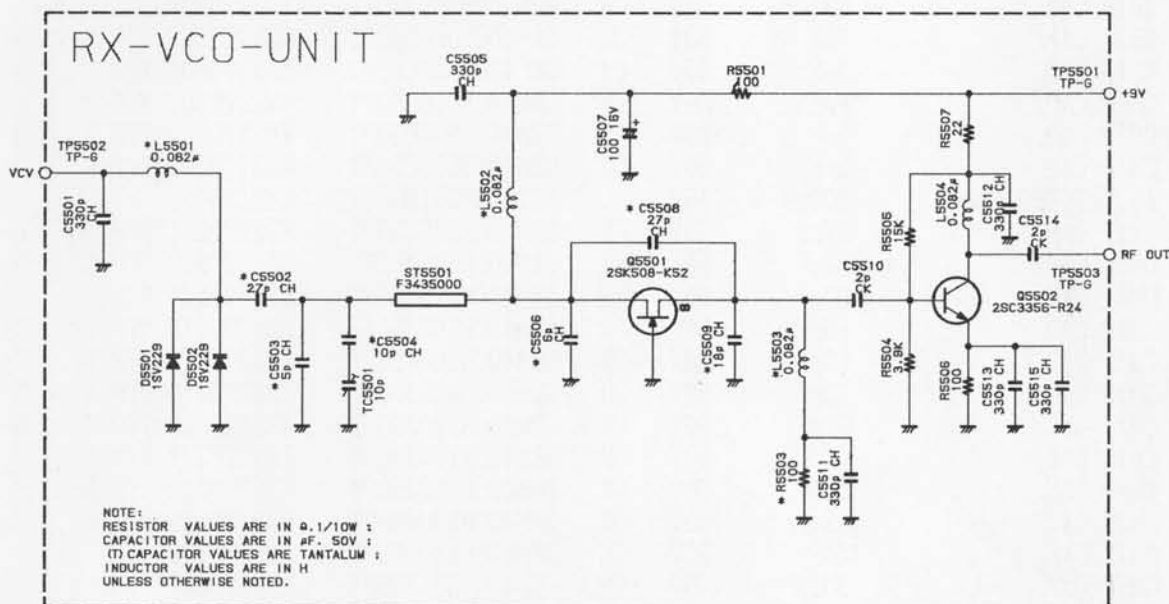


2SK508 (K58)
(Q5501)



2SC3356 (R24)
(Q5502)

Circuit Diagram



*TYPE	A-BAND	C-BAND	D-BAND	E-BAND	F-BAND
L5501	100N	82N	82N	82N	82N
L5502	100N	82N	82N	82N	82N
L5503	100N	82N	82N	82N	82N
C5502	33P	27P	27P	22P	22P
C5503	7P	7P	5P	3P	3P
C5504	12P	10P	10P	10P	10P

	A-BAND	C-BAND	D-BAND	E-BAND	F-BAND
C5506	6P	3P	6P	3P	3P
C5508	27P	33P	27P	18P	18P
C5509	22P	22P	18P	22P	22P
R5503	150	100	100	120	100

REF.	DESCRIPTION	VALUE	WV	TOL.	MFGR'S DESIG	YAESU P/N	VERS.	LOT.
*** RX VCO UNIT ***								
	P.C.B. with Components					CA1256001	TYP D	
	P.C.B. with Components					CA1256002	TYP E	4-
	P.C.B. with Components					CA1256003	TYP F	4-
	P.C.B. with Components					CA1256004	TYP C	5-
	P.C.B. with Components					CA1256005	TYP A	5-
	Printed Circuit Board					F3433102		
C 5501	CHIP CAP.	330pF	50V	CH	GRM40CH331J50PT	K22170247		
C 5502	CHIP CAP.	33pF	50V	CH	GRM40CH330J50PT	K22170223	TYP A	5-
C 5502	CHIP CAP.	27pF	50V	CH	GRM40CH270J50PT	K22170221	TYP C	5-
C 5502	CHIP CAP.	27pF	50V	CH	GRM40CH270J50PT	K22170221	TYP D	
C 5502	CHIP CAP.	22pF	50V	CH	GRM40CH220J50PT	K22170219	TYP E	3-
C 5502	CHIP CAP.	22pF	50V	CH	GRM40CH220J50PT	K22170219	TYP F	3-
C 5503	CHIP CAP.	7pF	50V	CH	GRM40CH070D50PT	K22170208	TYP A	5-
C 5503	CHIP CAP.	7pF	50V	CH	GRM40CH070D50PT	K22170208	TYP C	5-
C 5003	CHIP CAP.	7pF	50V	CH	GRM40CH070D50PT	K22170208	TYP D	1-
C 5503	CHIP CAP.	5pF	50V	CH	GRM40CH050C50PT	K22170206	TYP D	2-
C 5503	CHIP CAP.	3pF	50V	CJ	GRM40CJ030C50PT	K22170204	TYP E	3-
C 5503	CHIP CAP.	3pF	50V	CJ	GRM40CJ030C50PT	K22170204	TYP F	3-
C 5504	CHIP CAP.	12pF	50V	CH	GRM40CH120J50PT	K22170213	TYP A	5-
C 5504	CHIP CAP.	10pF	50V	CH	GRM40CH100D50PT	K22170211	TYP C	5-
C 5504	CHIP CAP.	10pF	50V	CH	GRM40CH100D50PT	K22170211	TYP D	
C 5504	CHIP CAP.	10pF	50V	CH	GRM40CH100D50PT	K22170211	TYP E	5-
C 5504	CHIP CAP.	10pF	50V	CH	GRM40CH100D50PT	K22170211	TYP F	5-
C 5505	CHIP CAP.	330pF	50V	CH	GRM40CH331J50PT	K22170247		
C 5506	CHIP CAP.	6pF	50V	CH	GRM40CH060D50PT	K22170207	TYP A	5-
C 5506	CHIP CAP.	3pF	50V	CJ	GRM40CJ030C50PT	K22170204	TYP C	5-
C 5506	CHIP CAP.	6pF	50V	CH	GRM40CH060D50PT	K22170207	TYP D	
C 5506	CHIP CAP.	3pF	50V	CJ	GRM40CJ030C50PT	K22170204	TYP E	3-
C 5506	CHIP CAP.	3pF	50V	CJ	GRM40CJ030C50PT	K22170204	TYP F	3-
C 5507	AL. ELECTRO. CAP.	100uF	16V		RC2-16V101MS(6X7)	K40129038		
C 5508	CHIP CAP.	27pF	50V	CH	GRM40CH270J50PT	K22170221	TYP A	5-
C 5508	CHIP CAP.	33pF	50V	CH	GRM40CH330J50PT	K22170223	TYP C	5-
C 5508	CHIP CAP.	27pF	50V	CH	GRM40CH270J50PT	K22170221	TYP D	
C 5508	CHIP CAP.	18pF	50V	CH	GRM40CH180J50PT	K22170217	TYP E	3-
C 5508	CHIP CAP.	18pF	50V	CH	GRM40CH180J50PT	K22170217	TYP F	3-
C 5509	CHIP CAP.	22pF	50V	CH	GRM40CH220J50PT	K22170219	TYP A	5-
C 5509	CHIP CAP.	22pF	50V	CH	GRM40CH220J50PT	K22170219	TYP C	5-
C 5509	CHIP CAP.	18pF	50V	CH	GRM40CH180J50PT	K22170217	TYP D	
C 5509	CHIP CAP.	22pF	50V	CH	GRM40CH220J50PT	K22170219	TYP E	3-
C 5509	CHIP CAP.	22pF	50V	CH	GRM40CH220J50PT	K22170219	TYP F	3-
C 5510	CHIP CAP.	2pF	50V	CK	GRM40CK020C50PT	K22170203		
C 5511	CHIP CAP.	330pF	50V	CH	GRM40CH331J50PT	K22170247		
C 5512	CHIP CAP.	330pF	50V	CH	GRM40CH331J50PT	K22170247		
C 5513	CHIP CAP.	330pF	50V	CH	GRM40CH331J50PT	K22170247		
C 5514	CHIP CAP.	2pF	50V	CK	GRM40CK020C50PT	K22170203		
C 5515	CHIP CAP.	330pF	50V	CH	GRM40CH331J50PT	K22170247		
D 5501	DIODE				1SV229 TPH3	G2070256		

RX VCO UNIT

REF.	DESCRIPTION	VALUE	WV	TOL.	MFGR'S DESIG	YAESU P/N	VERS.	LOT.
D 5502	DIODE				1SV229 TPH3	G2070256		
L 5501	CHIP COIL	0.1uH			LQN2AR10K	L1690011	TYP A	5-
L 5501	CHIP COIL	0.082uH			LQN2A82NM	L1690010	TYP C	5-
L 5501	CHIP COIL	0.082uH			LQN2A82NM	L1690010	TYP D	
L 5501	CHIP COIL	0.082uH			LQN2A82NM	L1690010	TYP E	5-
L 5501	CHIP COIL	0.082uH			LQN2A82NM	L1690010	TYP F	5-
L 5502	CHIP COIL	0.1uH			LQN2AR10K	L1690011	TYP A	5-
L 5502	CHIP COIL	0.082uH			LQN2A82NM	L1690010	TYP C	5-
L 5502	CHIP COIL	0.082uH			LQN2A82NM	L1690010	TYP D	
L 5502	CHIP COIL	0.082uH			LQN2A82NM	L1690010	TYP E	5-
L 5502	CHIP COIL	0.082uH			LQN2A82NM	L1690010	TYP F	5-
L 5503	CHIP COIL	0.1uH			LQN2AR10K	L1690011	TYP A	5-
L 5503	CHIP COIL	0.082uH			LQN2A82NM	L1690010	TYP C	5-
L 5503	CHIP COIL	0.082uH			LQN2A82NM	L1690010	TYP D	
L 5503	CHIP COIL	0.082uH			LQN2A82NM	L1690010	TYP F	5-
L 5503	CHIP COIL	0.082uH			LQN2A82NM	L1690010	TYP E	5-
L 5504	CHIP COIL	0.082uH			LQN2A82NM	L1690010		
Q 5501	FET				2SK508-T2B K52	G3805087B		
Q 5502	TRANSISTOR				2SC3356-T2B R24	G3333567D		
R 5501	CHIP RES.	100	1/10W	5%	RMC1/10T 101J	J24205101		
R 5503	CHIP RES.	150	1/10W	5%	RMC1/10T 151J	J24205151	TYP A	5-
R 5503	CHIP RES.	100	1/10W	5%	RMC1/10T 101J	J24205101	TYP C	5-
R 5503	CHIP RES.	100	1/10W	5%	RMC1/10T 101J	J24205101	TYP D	
R 5503	CHIP RES.	120	1/10W	5%	RMC1/10T 121J	J24205121	TYP E	3-
R 5503	CHIP RES.	100	1/10W	5%	RMC1/10T 101J	J24205101	TYP F	3-
R 5504	CHIP RES.	3.9K	1/10W	5%	RMC1/10T 392J	J24205392		
R 5505	CHIP RES.	15K	1/10W	5%	RMC1/10T 153J	J24205153		
R 5506	CHIP RES.	100	1/10W	5%	RMC1/10T 101J	J24205101		
R 5507	CHIP RES.	22	1/10W	5%	RMC1/10T 220J	J24205220		
ST5501	P.C.B. W/O COMP.					F3435000		
TC5501	TRIMMER CAP.	10pF			TZBX4N100BA110T00	K91000192		
TP5501	TP-G				MK1095	Q5000036		
TP5502	TP-G				MK1095	Q5000036		
TP5503	TP-G				MK1095	Q5000036		
	SHIELD CASE					R0136240B		