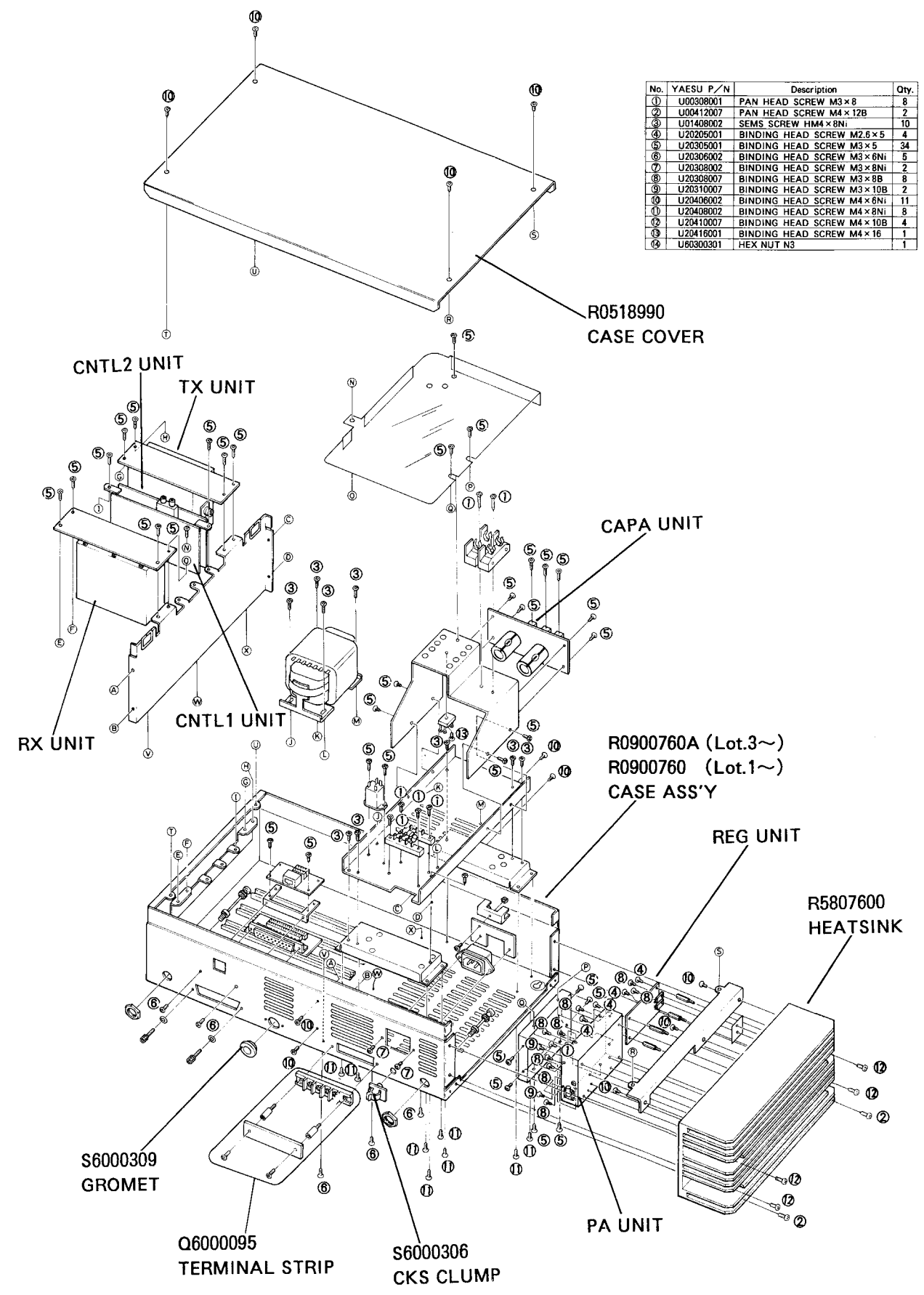


REF. DESCRIPTION VALUE WV TOL. MFR'S DESIG YAESU P/N VERS. LOT.

*** MAIN ASSY ***

C 0001	AL. ELECTRO. CAP.	1000uF	16V		RE3-16V102MS	K40129067	VOL AC	
C 0001	AL. ELECTRO. CAP.	1000uF	25V		RE2-25V102M	K40149034	VOL AC	2-
C 0002	CERAMIC CAP.	0.01uF	2KV	E	ECKDNS103ME	K12329001	VOL AC	
C 0003	CERAMIC CAP.	0.01uF	2KV	E	ECKDNS103ME	K12329001	VOL AC	
C 0004	FEED THRU CAP.	0.001uF	50V	E	ECKY1H102ZE2	K21170006		
C 0005	FEED THRU CAP.	0.001uF	50V	E	ECKY1H102ZE2	K21170006		
C 0006	FEED THRU CAP.	0.001uF	50V	E	ECKY1H102ZE2	K21170006		
C 0007	FEED THRU CAP.	0.001uF	50V	E	ECKY1H102ZE2	K21170006		
C 0008	FEED THRU CAP.	0.001uF	50V	E	ECKY1H102ZE2	K21170006		
C 0009	FEED THRU CAP.	0.001uF	50V	E	ECKY1H102ZE2	K21170006		
C 0010	FEED THRU CAP.	0.001uF	50V	E	ECKY1H102ZE2	K21170006		
C 0011	CERAMIC CAP.	0.1uF	50V	F	UP050F104Z-A-B	K28179003		
C 0012	CERAMIC CAP.	0.1uF	50V	F	UP050F104Z-A-B	K28179003		
C 0013	CERAMIC CAP.	0.1uF	50V	F	UP050F104Z-A-B	K28179003		
C 0014	CERAMIC CAP.	0.1uF	50V	F	UP050F104Z-A-B	K28179003		
D 0001	DIODE				10E1	G2090306		
D 0002	DIODE				S25VB20	G2090361		
F 0001	FUSE				5A	Q0000005	117V-3WUL	
F 0001	FUSE				5A	Q0000005	117V-2W	
F 0001	FUSE				3A	Q0000004	220V-3WEU	
F 0003	FUSE				20A	Q0000009	VOL AC	
FH001	FUSE HOLDER				H203	P2000025	VOL AC	
FH002	FUSE HOLDER				H203	P2000025		
FH002	FUSE HOLDER				354021-BL	P2000051		2-
J 0001	CONNECTOR				AP-300-3A1 (V)	P0090811	VOL AC	
J 0002	STRIP				MT8-4C	Q6000095		
J 0003	TERMINAL				ML-3182 4P	Q6000075	VOL AC	
J 0004	TERMINAL				ML-3182 4P	Q6000075	VOL AC	
P 0001	WIRE-ASSY					T9206275		
P 0001	WIRE-ASSY					T9206275A		3-
P 0001	WIRE-ASSY					T9206275B		7-
P 0002	WIRE-ASSY					T9317951		
P 0002	WIRE-ASSY					T9317964		3-
P 0003	CT-CORD					T9101433		
P 0004	CT-CORD					T9101433		
P 0005	CT-CORD					T9101434		
P 0006	WIRE-ASSY					T9206276		
P 0007	WIRE-ASSY					T9206278		
P 0008	WIRE-ASSY					T9206279		
P 0009	WIRE-ASSY					T9206280		
P 0010	WIRE-ASSY					T9206281		
P 0011	WIRE-ASSY					T9206282		
P 0012	WIRE-ASSY					T9206283		
P 0013	WIRE-ASSY					T9206284		
P 0014	WIRE-ASSY					T9206286		
P 0015	WIRE-ASSY					T9206287		
P 0016	WIRE-ASSY					T9317957		
P 0016	WIRE-ASSY					T9317963		3-
PT001	PWR-TRANSFORMER					L3030142		
R 0001	CARBON FILM RES.	27	1/2W	5%	RD12TJ270 27	J01275270		
R 0002	CEMENT RES.	10	5W	5%	ERF-5AJ100	J30375100		
RL001	RELAY		DC12V		G4W-11123A-B	M1090018		
	SCREW (2pcs)				KFS-4S-BIW	S5000158		



Non-designated parts are available only as part of a designated assembly.