

# Technical Bulletin

TB #:0711-1A  
Date: Dec 3, 2007  
Page 1 of 3

**MODEL NUMBER :** VXR-7000VC

**Radios Affected:** Lot 92 - 113, as well as older units with the new PA-2 board installed.

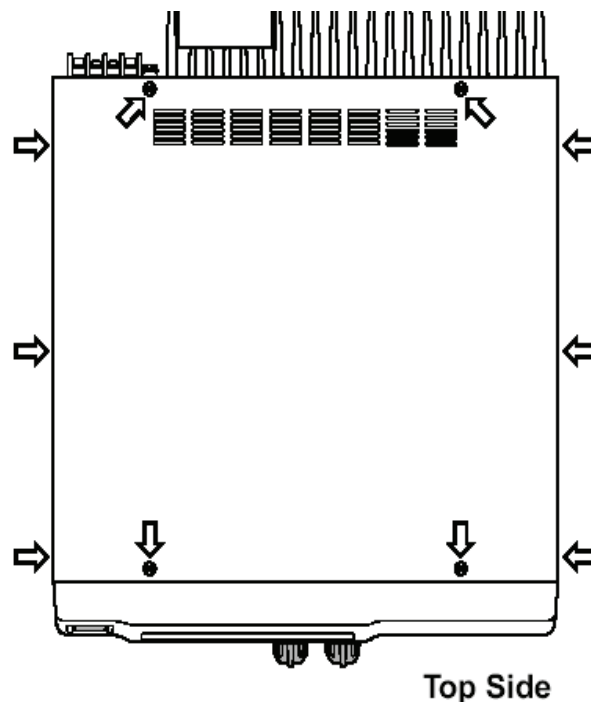
**Reason For Technical Bulletin:** Correct receiver desense when using an external duplexer.

**Warranty Reimbursement:** 1.5 hours

**DESCRIPTION:** In some instances when an external duplexer is used, receiver desense may be encountered. To correct the receiver desense, the TX Unit needs to be modified. The procedure for this modification is detailed below. **NOTE: This modification will be applied at production from Lot 114.**

**PROCEDURE:** Remove the TX unit from the VXR-7000VC by performing the following steps:

1. Remove the 10 screws affixing the top cover of the repeater, and remove the cover. Screws are indicated by the arrows below.

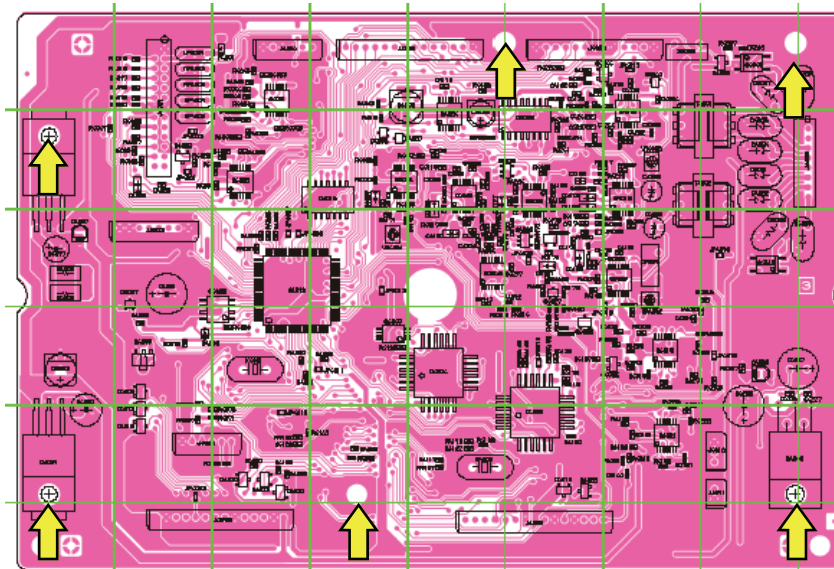


2. Remove all cable connections from the Control board.

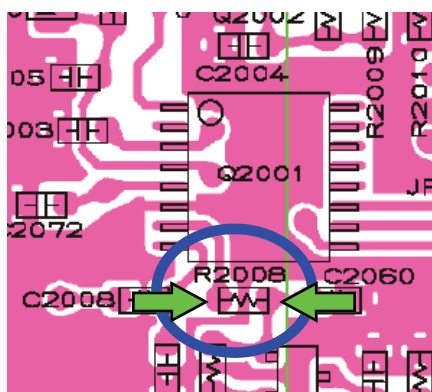
# Technical Bulletin

TB #:0711-1A  
Date: Dec 3, 2007  
Page 2 of 3

- Remove the 6 screws (indicated by yellow arrows) holding the Control board to the chassis. Remove the Control board from the VXR-7000.



- Remove the 9 screws holding the shield case cover to the chassis. This shield cover will be visible when the Control board has been removed from the VXR-7000. (Refer to the VXR-7000VC Service manual, Exploded View & Miscellaneous Parts page). Remove the shield cover from the VXR-7000VC chassis. The TX unit and RX unit will now be visible. The TX unit is located on the right side of the chassis, as viewed from the front of the VXR-7000.
- Remove the 4 screws holding the TX unit to the chassis. Unplug the RF jumper cable from J2001(TX OUT) jack. (Refer to the VXR-7000VC Service manual, Exploded View & Miscellaneous Parts page). Remove the TX unit from the VXR-7000.
- Solder capacitor C2075 on top of resistor R2008, as shown below.



Solder C2075 on top of R2008 at the two points indicated by the green arrows.

# *Technical Bulletin*

**TB #:0711-1A**  
Date:Dec 3, 2007  
Page 3 of 3

7. Modification is complete. Repeat steps 1 through 5 in reverse order to re-assemble the VXR-7000VC.

<b>REF #</b>	<b>Old Part #</b>	<b>New Part #</b>	<b>Qty.</b>	<b>New Part Desc.</b>
C2075	N/A	K22174249	1	470 pF capacitor