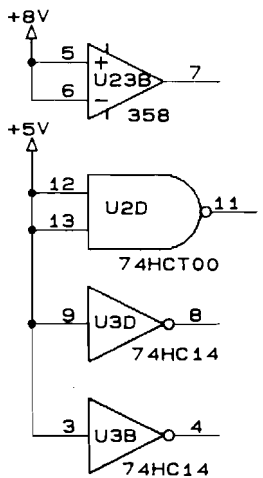
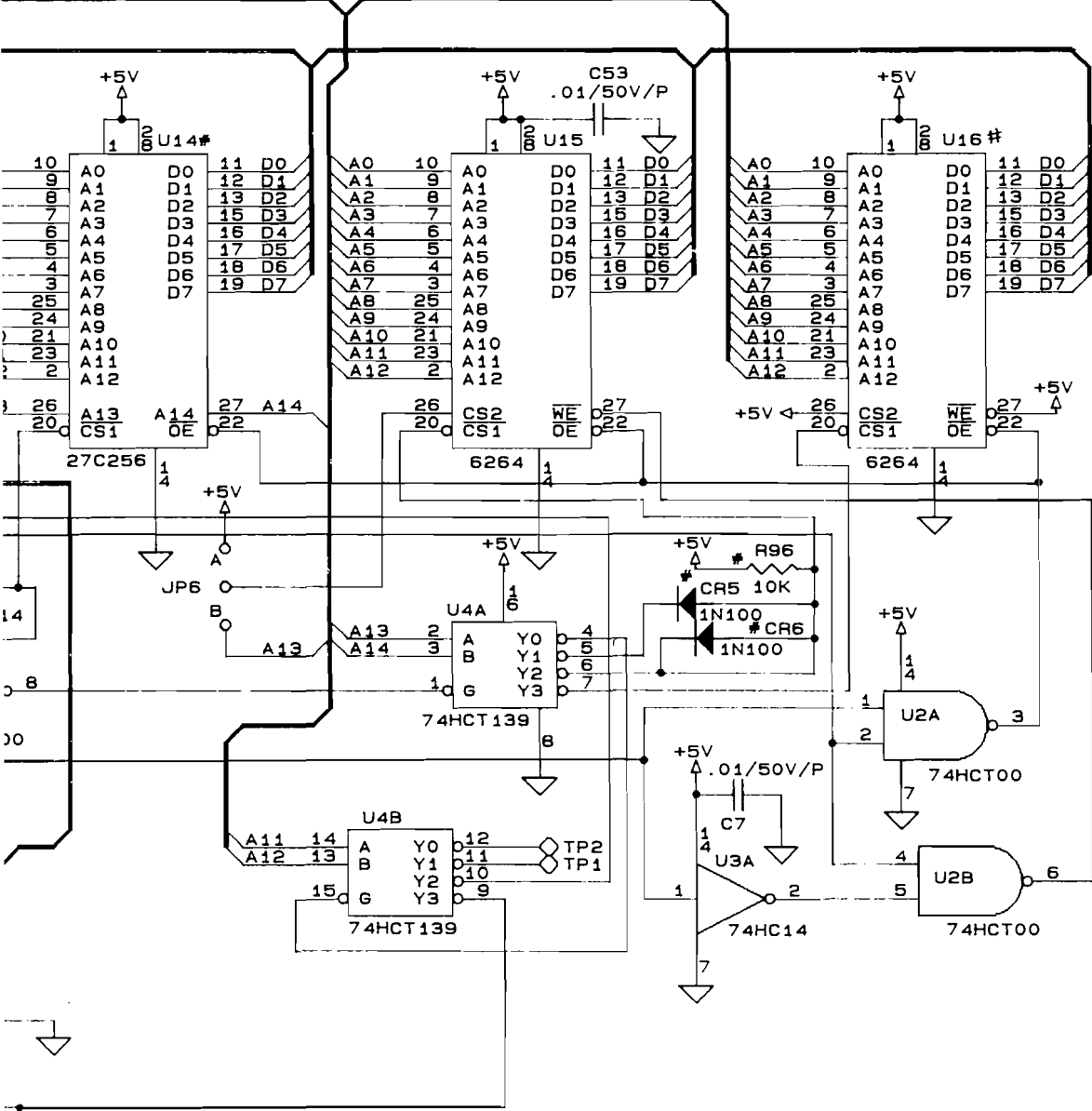
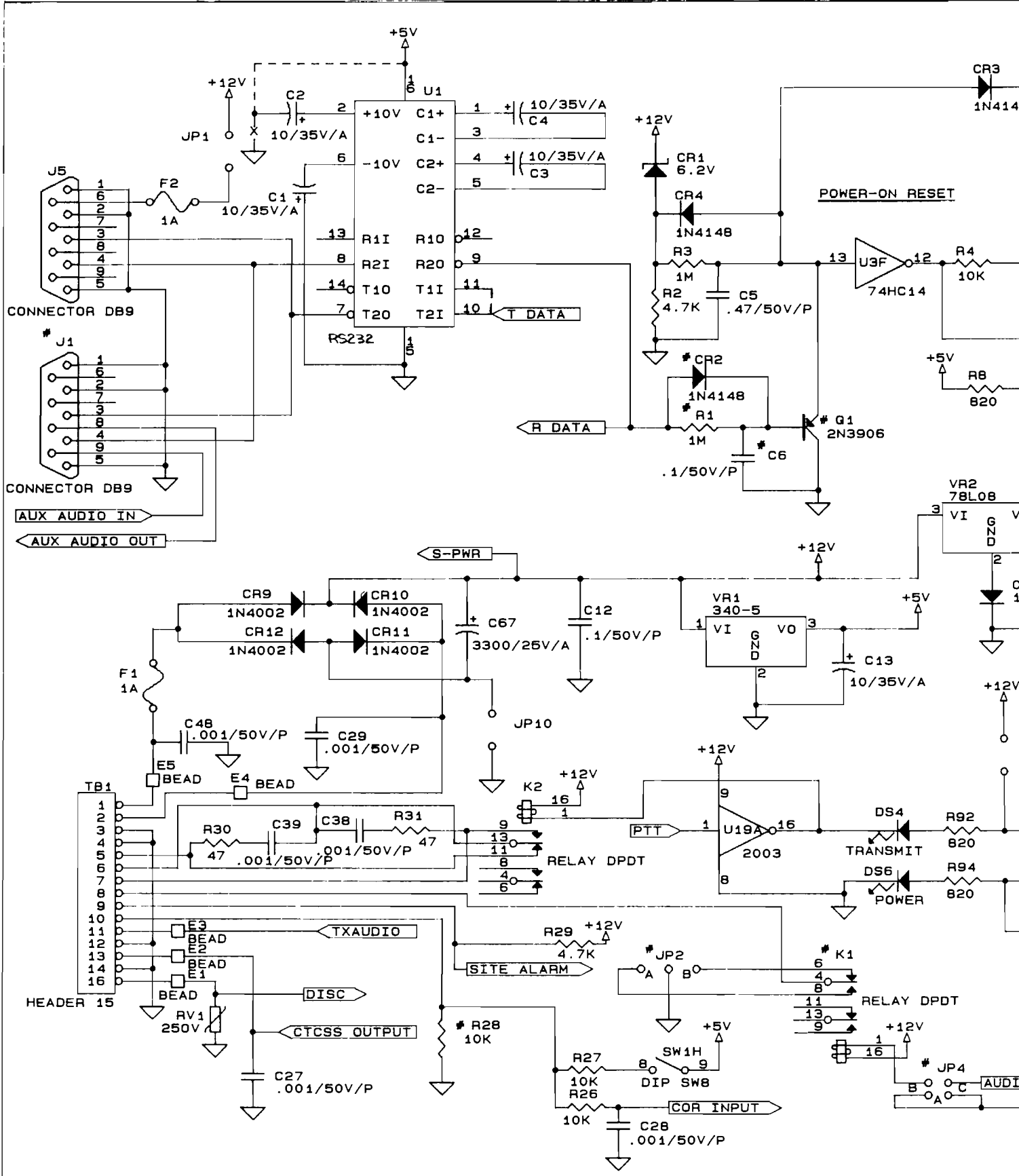


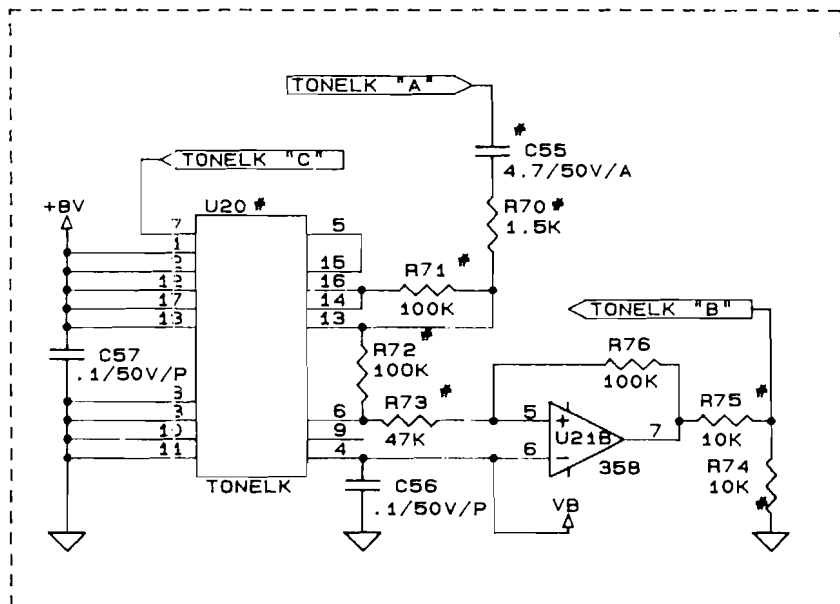
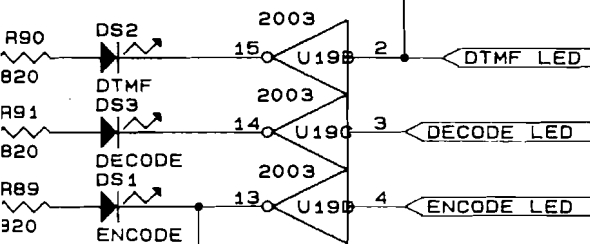
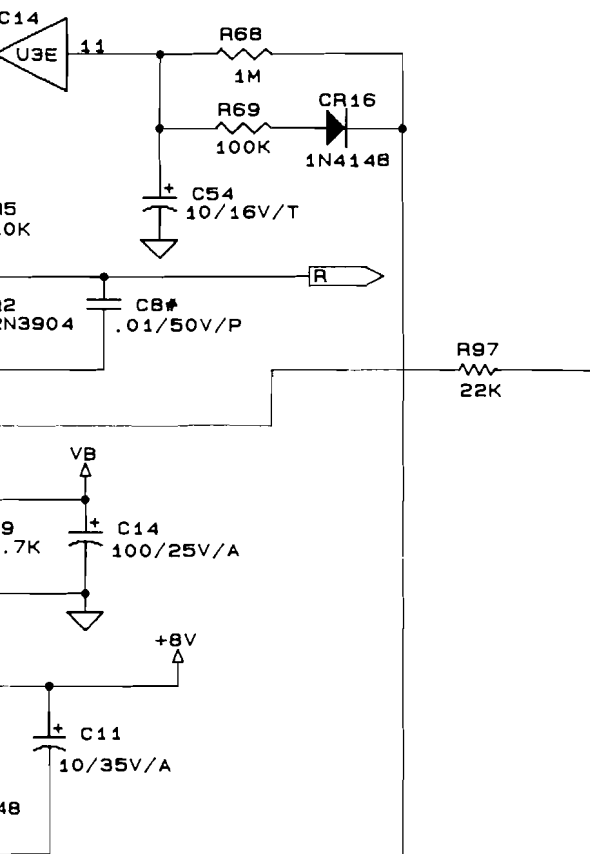
A[0...14]



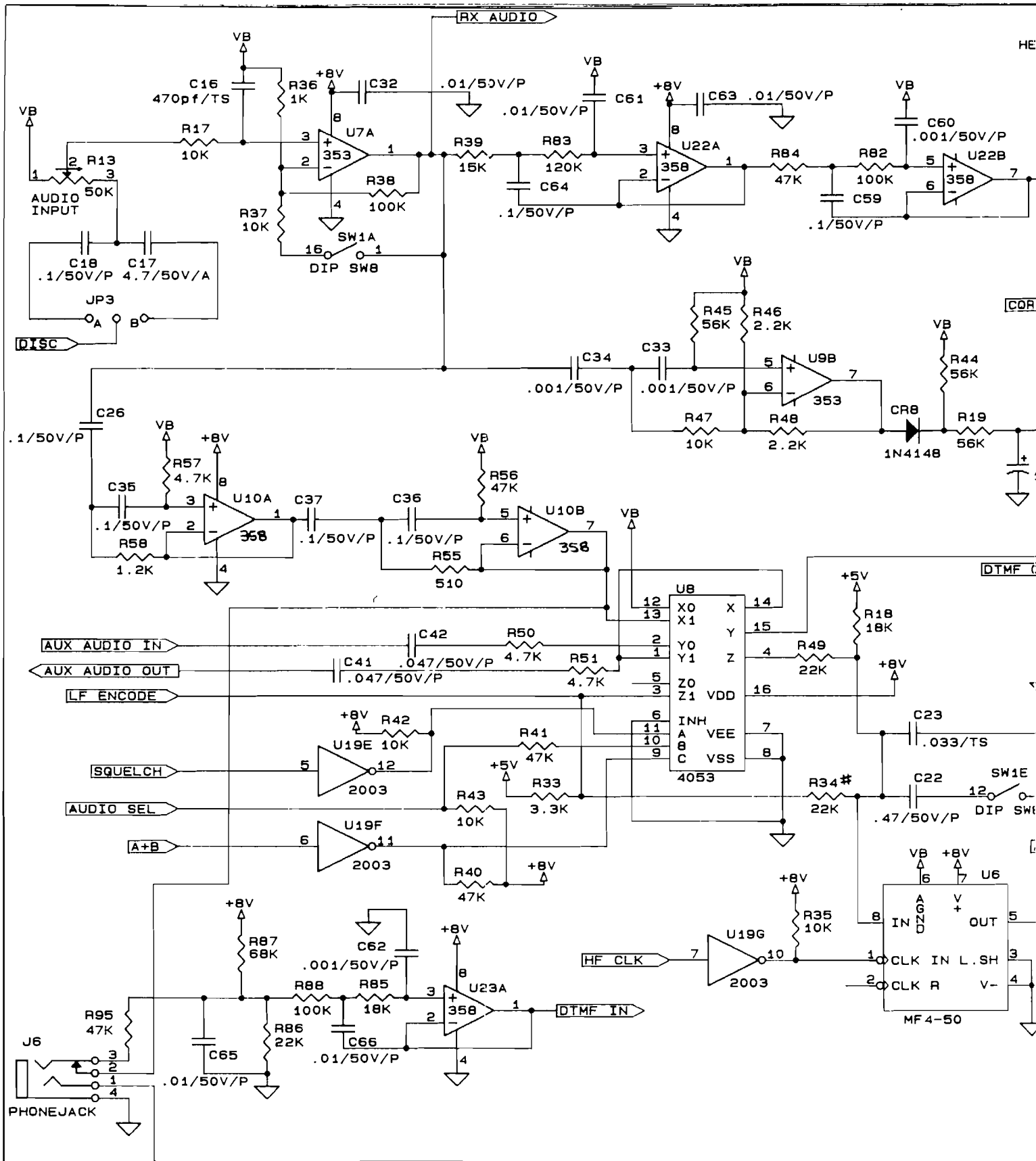
ZETRON, INC.			
Title			
M38 REPEATER PANEL			
Size	Document Number	REV	
B	008-9075	R	
Date:	November 15, 1990	Sheet	2 of 4

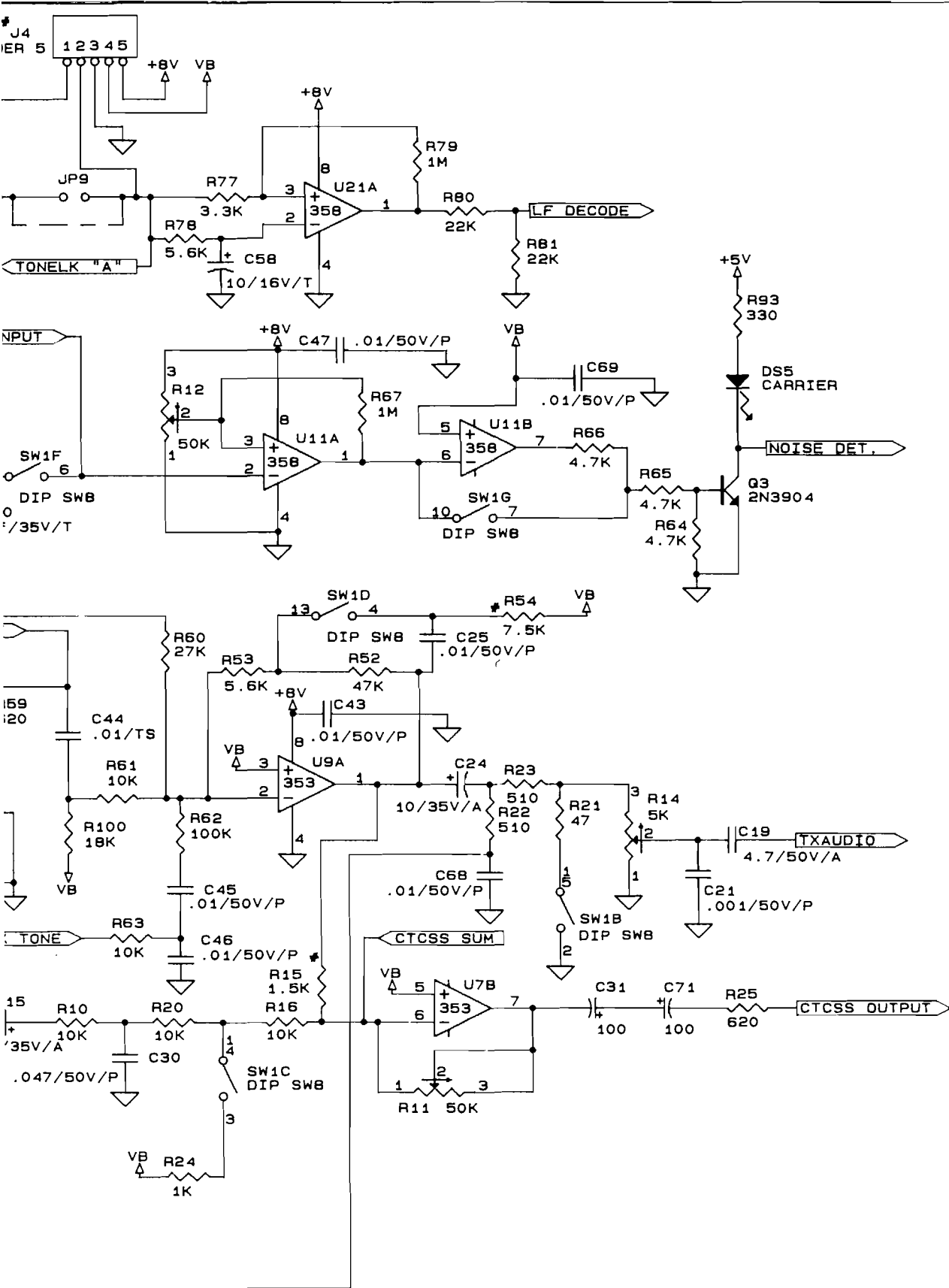


DTMF RESET



ZETRON, INC.	
Title	
M38 REPEATER PANEL	
Size	Document Number
B	008-9075
Date:	November 15, 1990 Sheet 3 of 4





ZETRON, INC.			
Title			
M38 REPEATER PANEL			
Size	Document Number	REV	
B	008-9075	R	
Date:	November 15, 1990	Sheet	4 of 4