



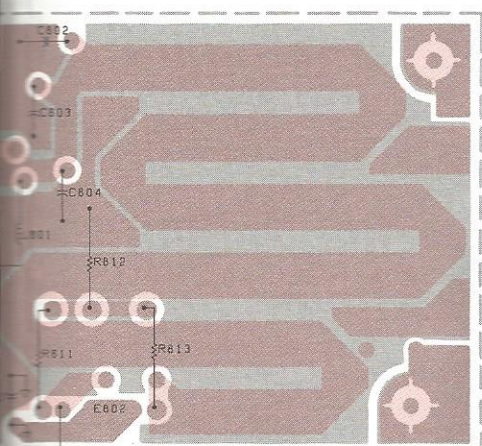
INSTRUCTION MANUAL REVISION

for

Manual No. 68P81021C95-O

Portable Repeater

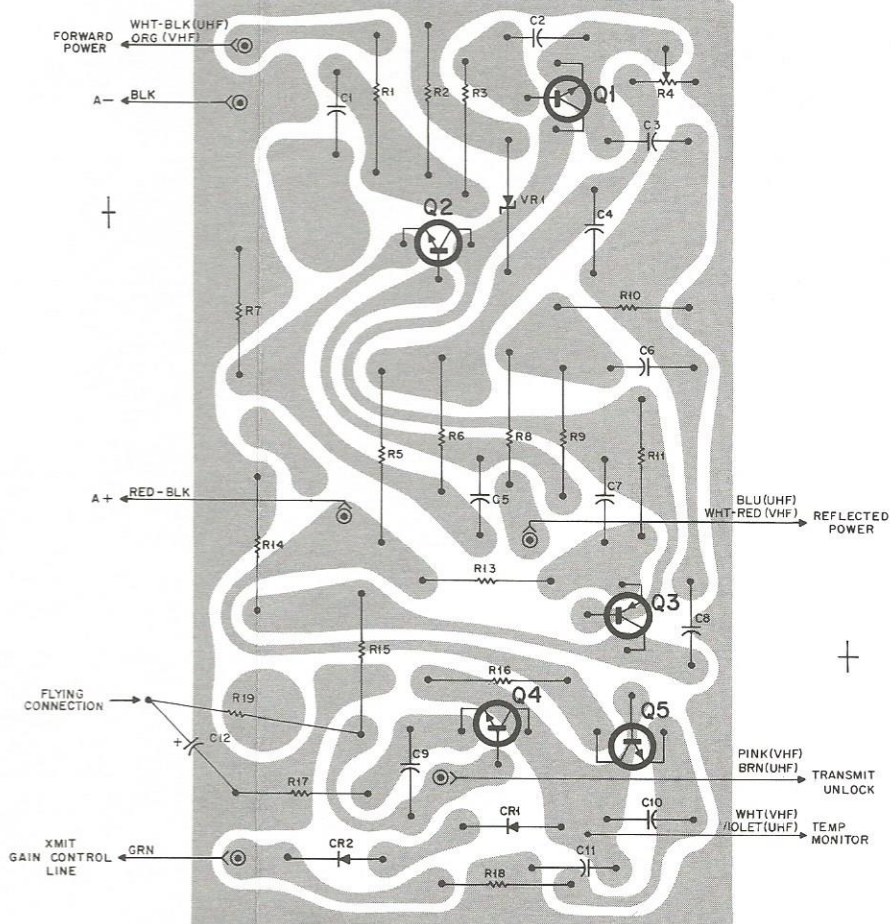
On pages 5-6 and 5-12, replace RF Power Control Board with this Circuit Board Detail.



- SS - EEPF - 10636 - 0
- CS - EEPF - 10637 - 0
- OL - EEPF - 10638 - A

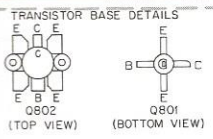
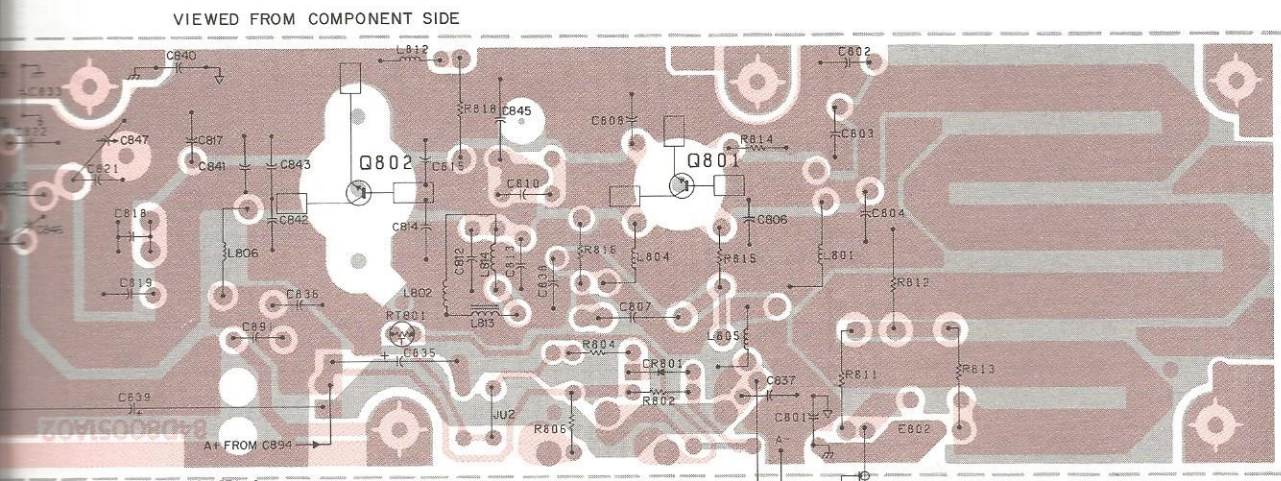
RF IN FROM EXCITER FILTER
 A-FROM C855
 DC PWR IN FROM Q803

VIEWS FROM COMPONENT SIDE

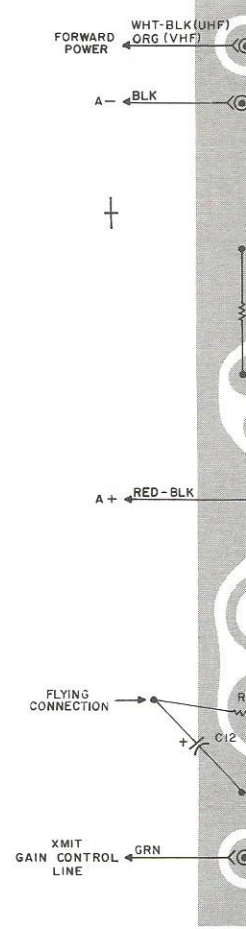


- SS - CEPF - 10628 - 0
- OL - CEPF - 10629 - A

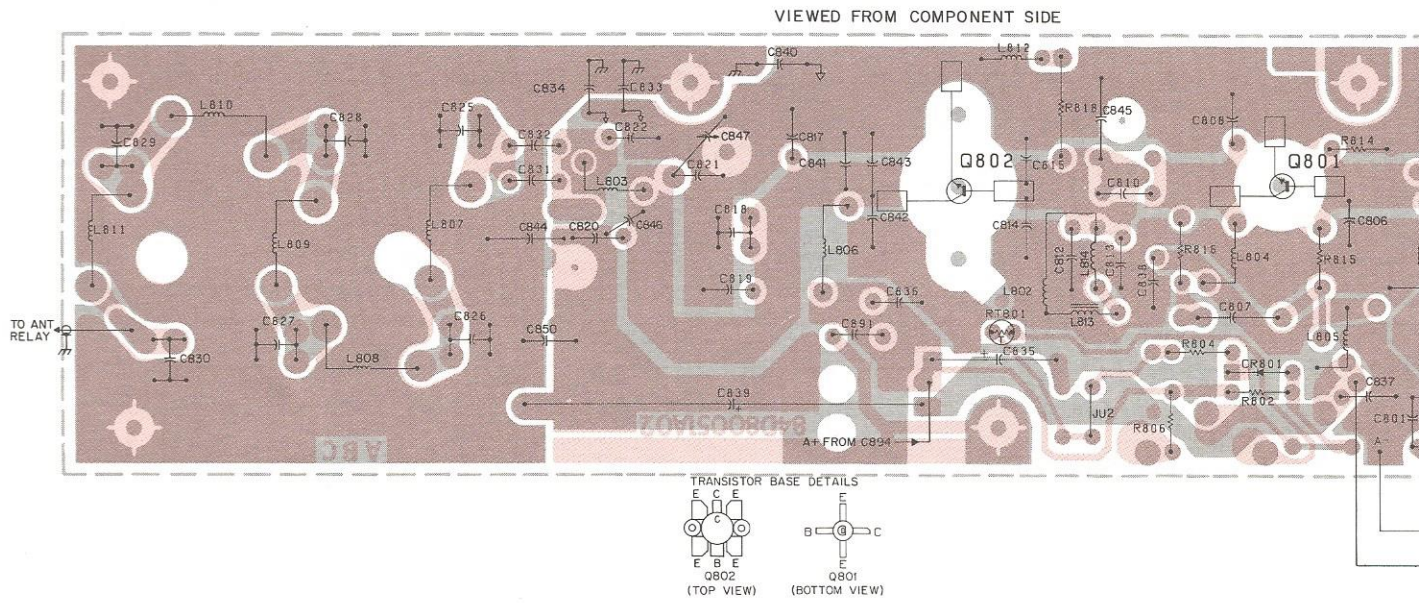
page 5-6, replace Vhf Power Amplifier Board with this board.



- SS - EEPF - 10636 - 0
- CS - EEPF - 10637 - 0
- OL - EEPF - 10638 - A

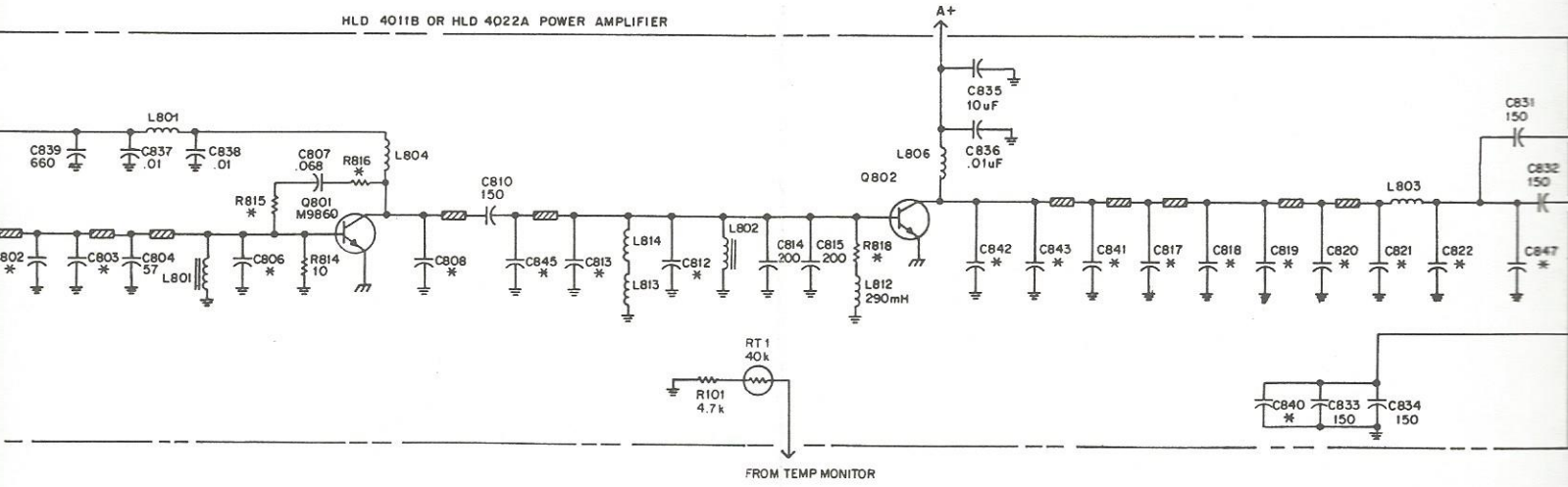


On page 5-6, replace Vhf Power Amplifier Board with this board.

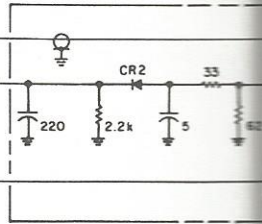


PTD 10301A (136-150 MHz) OR PTD 1001A (150.8-174 MHz)

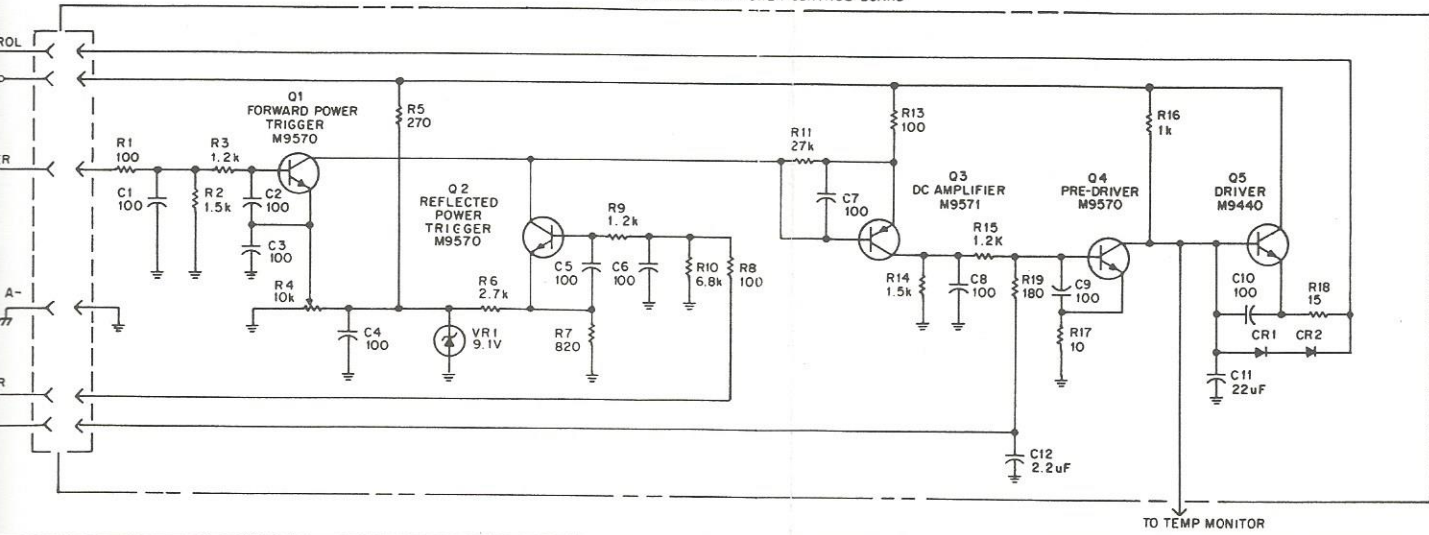
HLD 4011B OR HLD 4022A POWER AMPLIFIER



FROM TEMP MONITOR

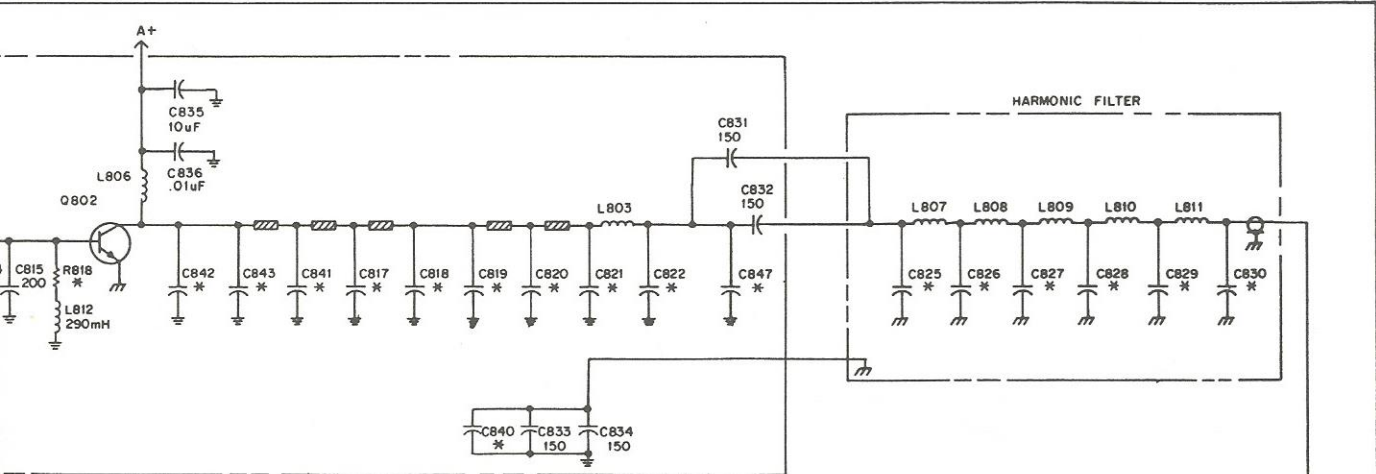


PCN 6010A RF POWER CONTROL BOARD

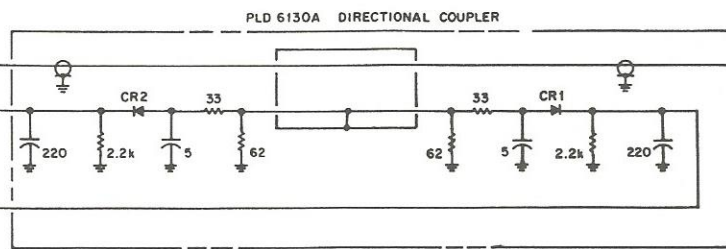


TO TEMP MONITOR

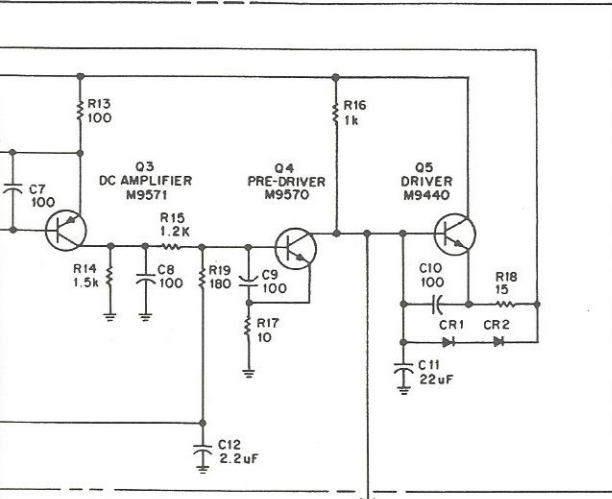
150.8-174 MHz}



AMP MONITOR



CONTROL BOARD



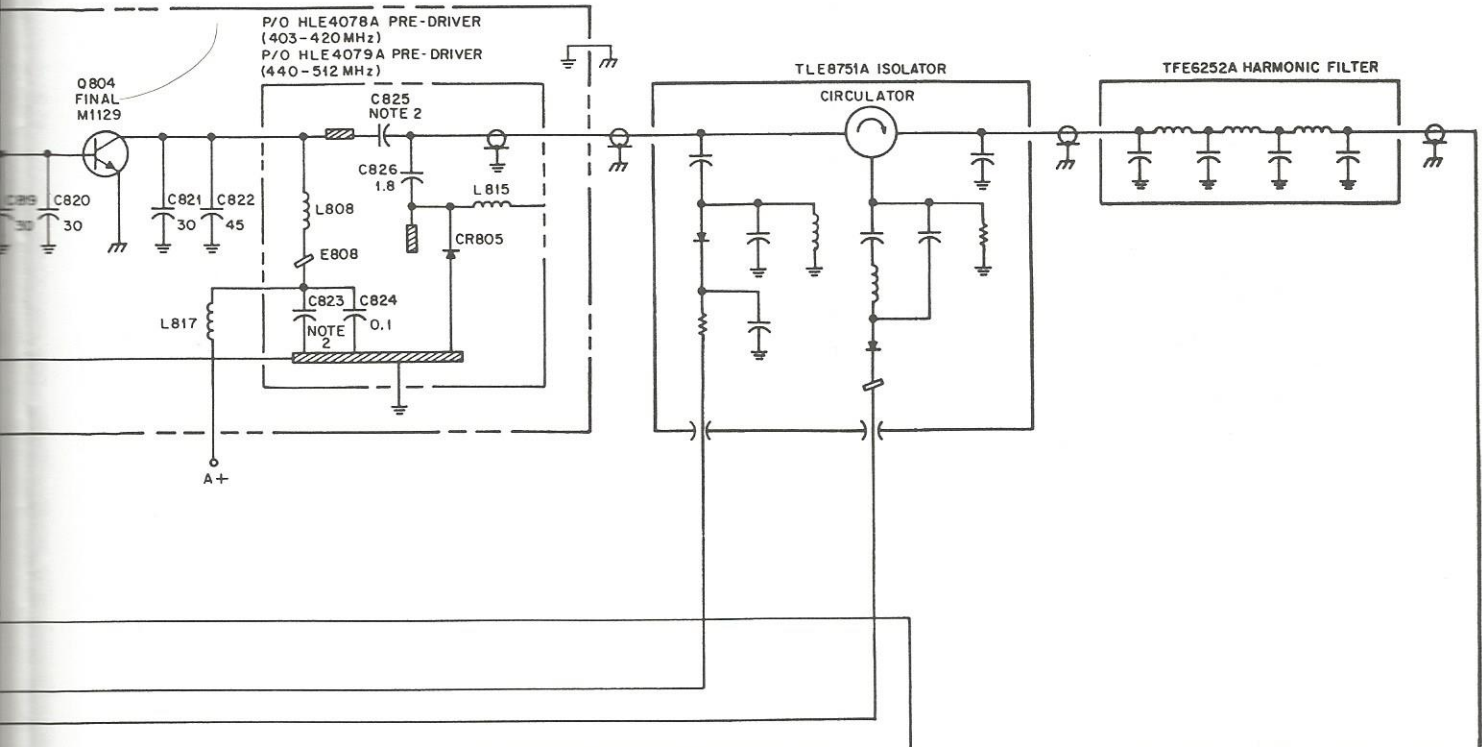
TO TEMP MONITOR

NOTES:
 1. UNLESS OTHERWISE STATED;
 ALL RESISTANCES ARE IN OHMS (k=1000).
 ALL CAPACITANCES LESS THAN 1 ARE IN MICROFARADS (uF), AND CAPACITANCES 1 OR GREATER ARE IN PICO FARADS (pF).
 * FREQUENCY SENSITIVE PART, SEE PARTS LIST FOR VALUE.

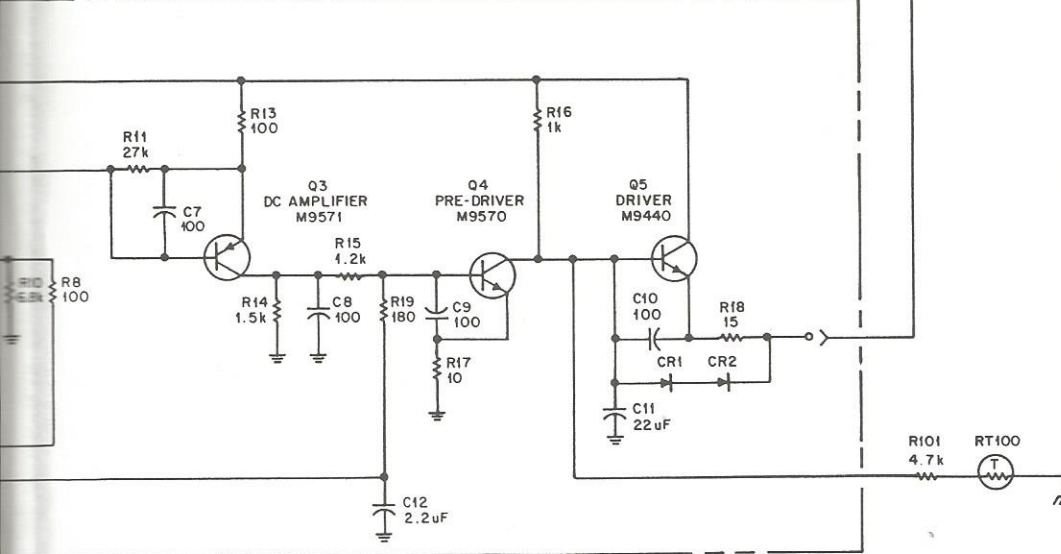
85091021C9+A

On page 5-13, replace Uhf Power Amplifier Schematic Diagram with this Uhf Power Amplifier Schematic Diagram.

PTE1001A (440-512 MHz)



CONTROL BOARD



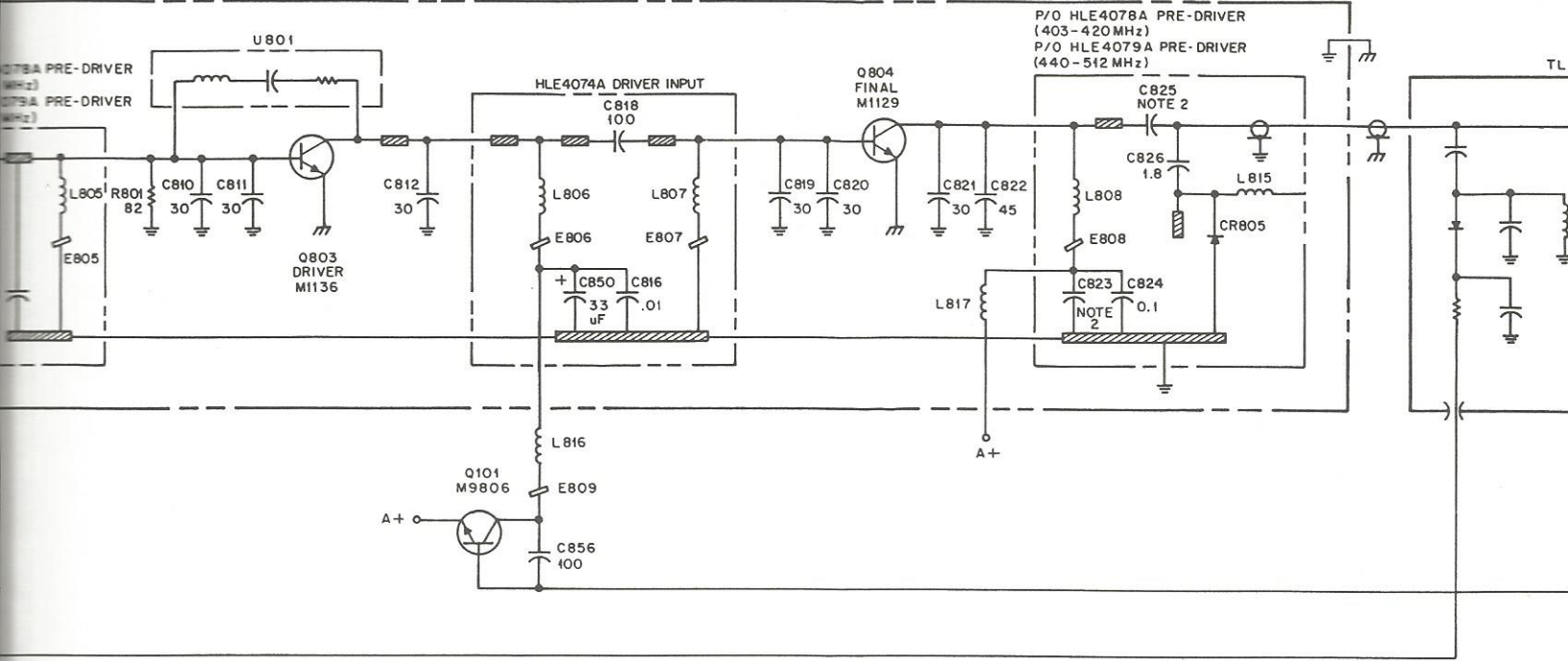
SUFFIX TABLE

ITEM	SUFFIX
PTE1001A	
TLN4640A	
TLE8751A	
TFE6252A	
PCN6010A	1

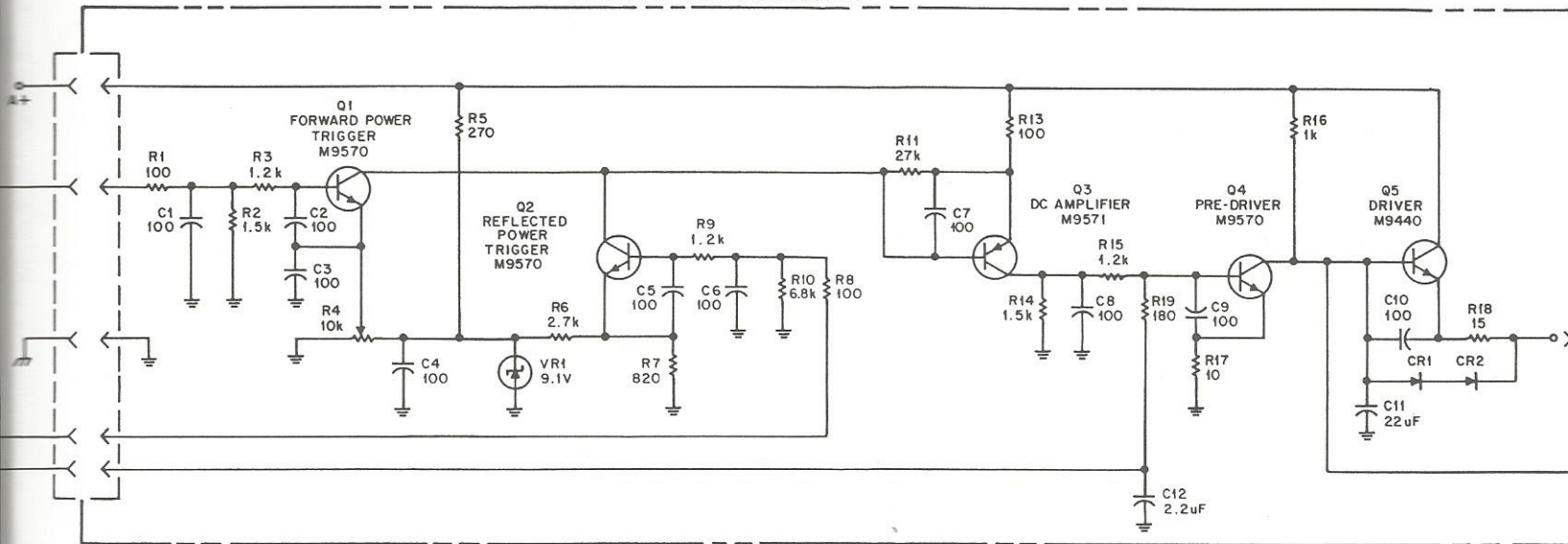
NOTES:

- UNLESS OTHERWISE STATED; ALL RESISTANCES ARE IN OHMS (k=1000). ALL CAPACITANCES LESS THAN 1 ARE IN MICROFARADS (uF), AND CAPACITANCES 1 OR GREATER ARE IN PICO FARADS (pF).
- FREQUENCY SENSITIVE PART, SEE PARTS LIST FOR VALUE.

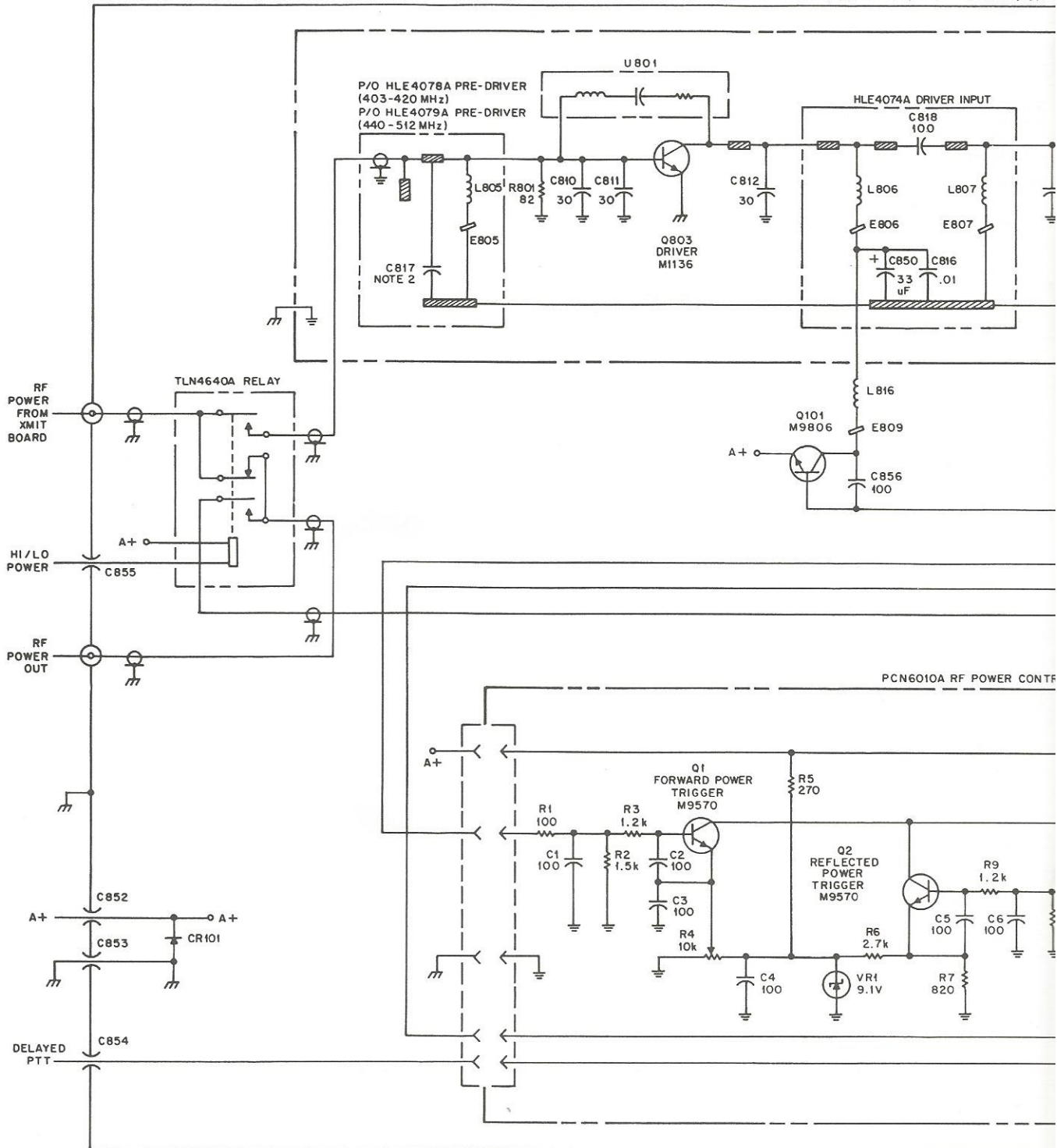
PTE1031A (403-420 MHz) OR PTE1001A (440-512 MHz)



PCN6010A RF POWER CONTROL BOARD

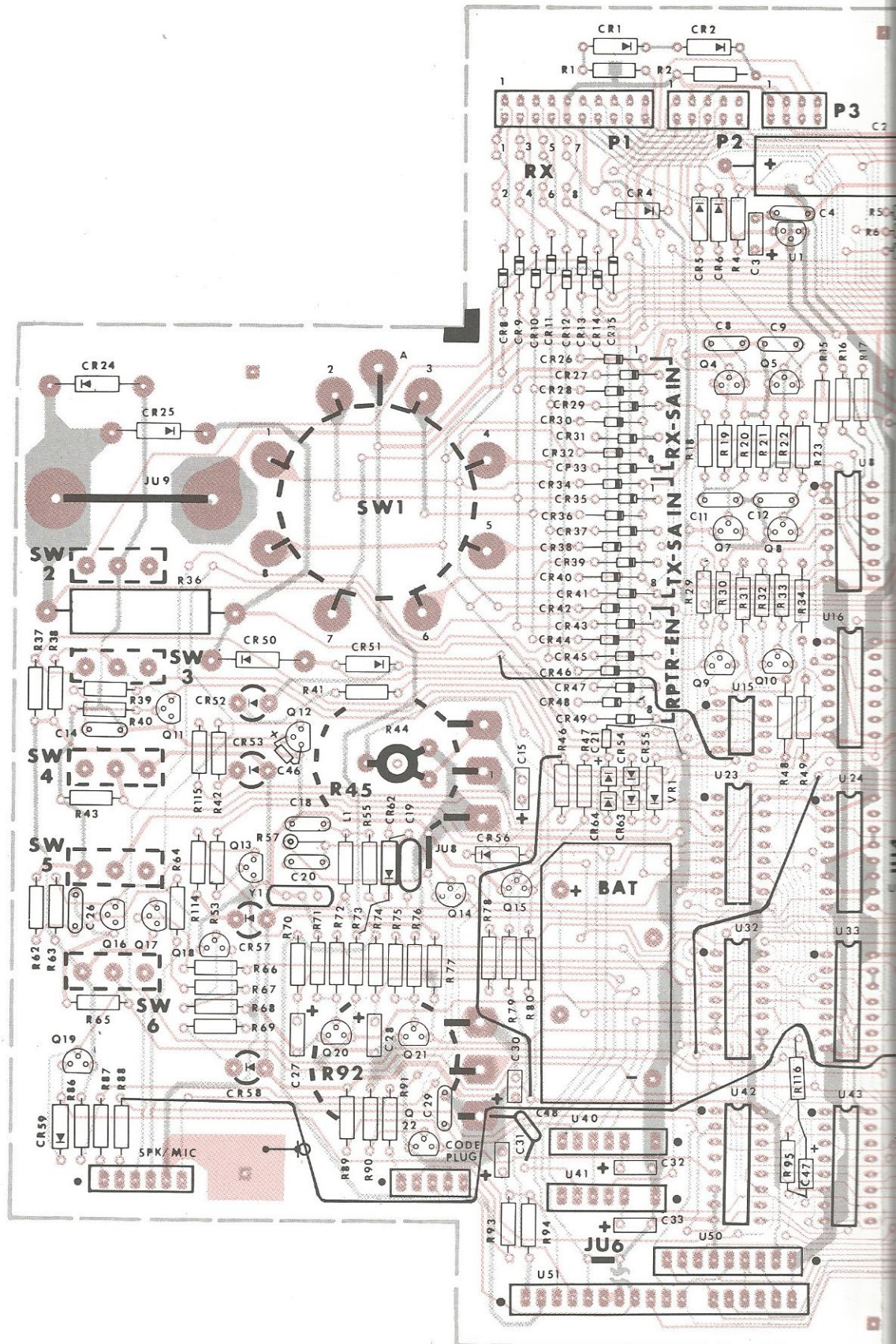


PTE 1031A (403-420 MHz) OR

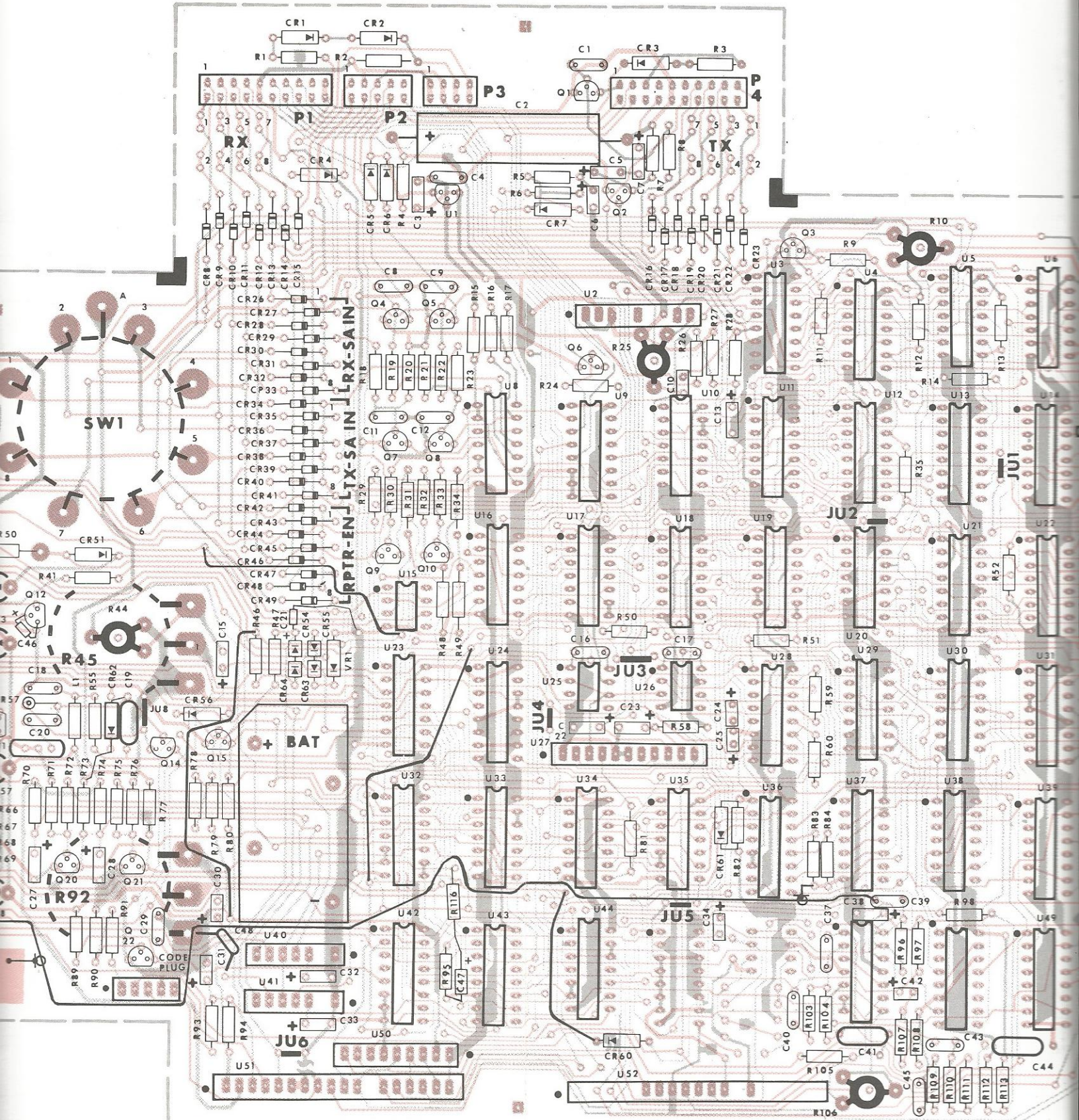


On page 5-14, replace Main Control Board
(Coded) with this Main Control Board (Coded).

VIEWED FROM COMPONENT

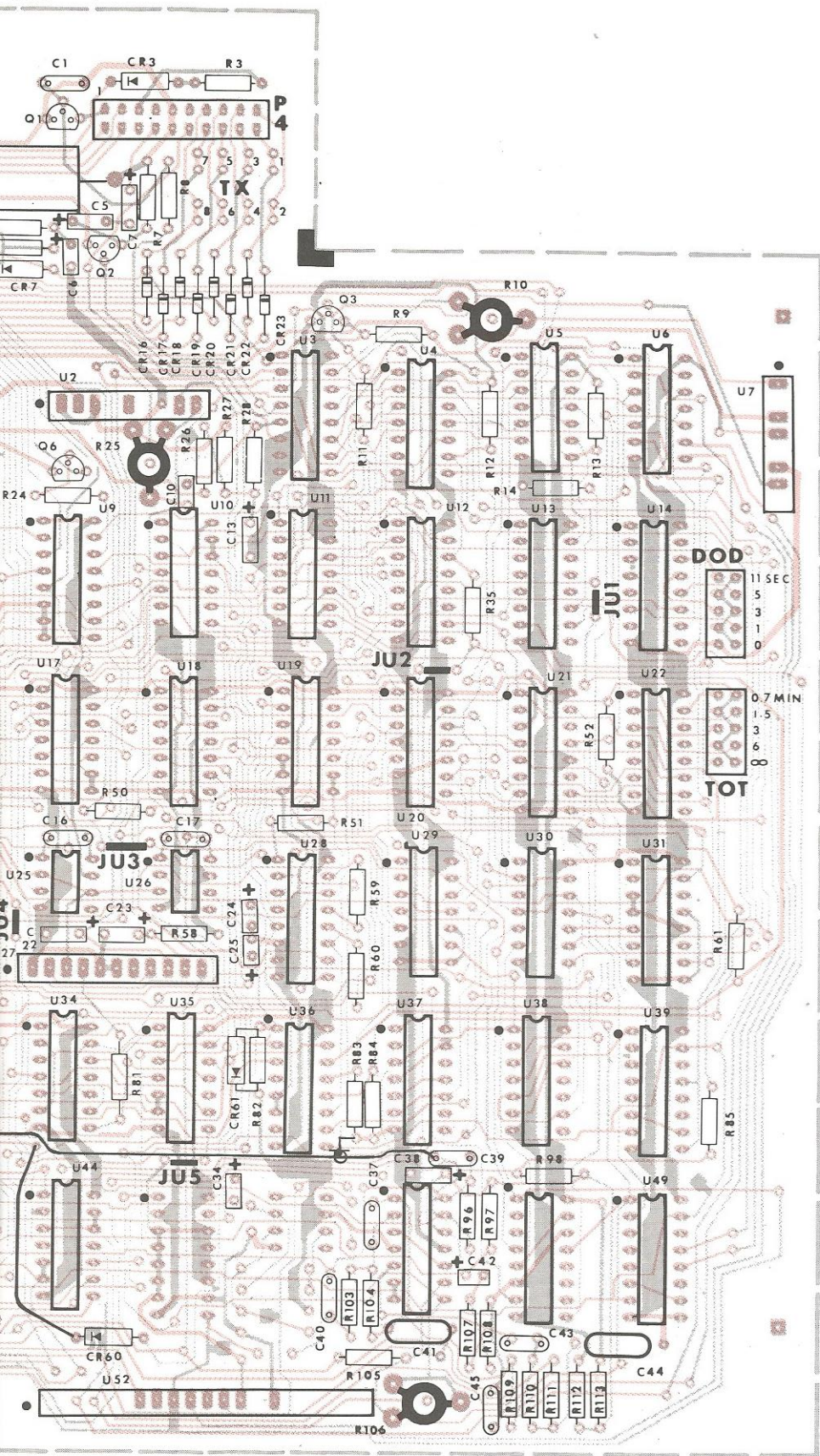


VIED FROM COMPONENT SIDE

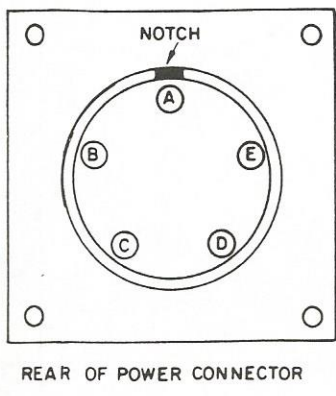


SS - C
CS - C
OL - CE

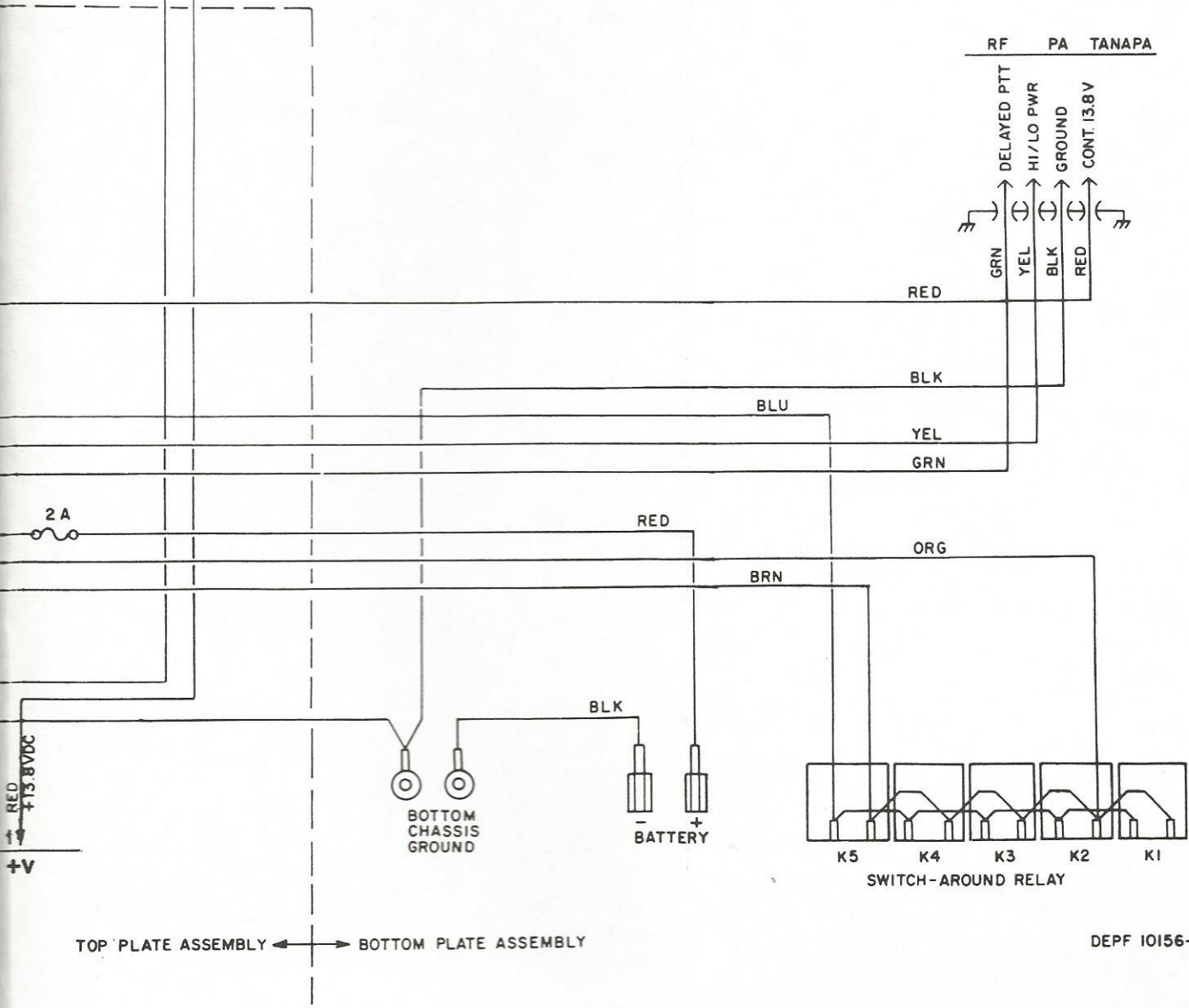
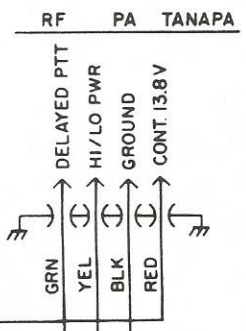
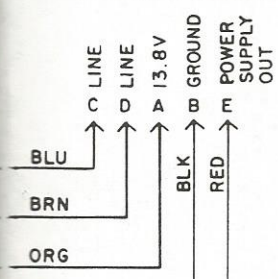
SIDE



On page 5-18, replace Interconnect Cabling Diagram with this Cabling Diagram



POWER CONNECTOR



TOP PLATE ASSEMBLY ← → BOTTOM PLATE ASSEMBLY

DEPF 10156-B

