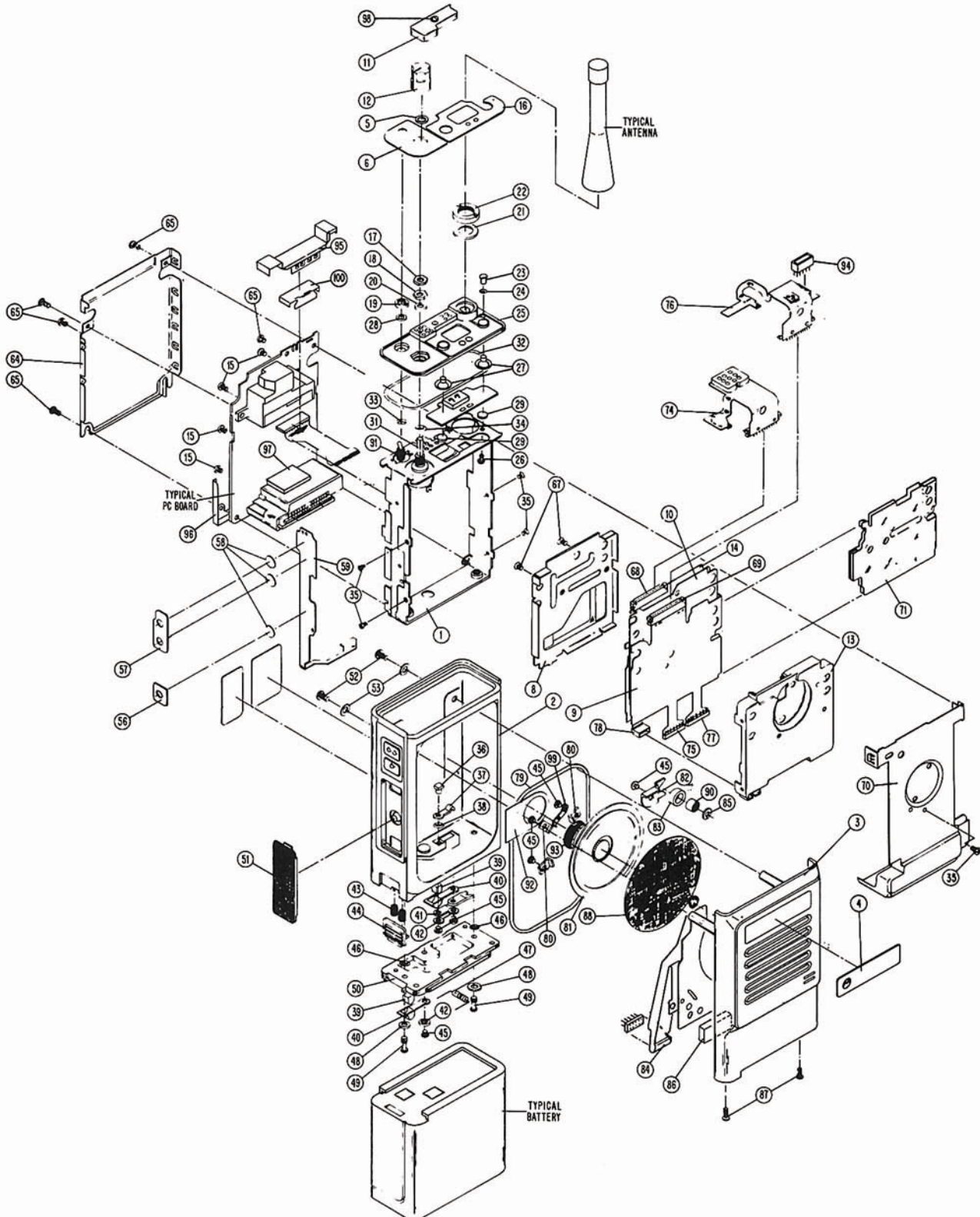




MOTOROLA

MT1000 Series

Parts List



**MOTOROLA**

MT1000 Series

Parts List

MT1000 AND 99 CHANNEL RADIO

REF. NO.	PART NO.	DESCRIPTION	REF. NO.	PART NO.	DESCRIPTION
1	0105958N59	Assembly, Frame	45	0300139444	Screw, Phillips; 2-56 x 5/32" (7 req'd)
2	NHN6419A	Kit, Housing; includes items 36 thru 51	46	3205082E03	Gasket, "O" Ring (2 req'd)
3	NTN4956A	Kit, Front Cover; includes items 45, 79 thru 86	47	6505214E05	Fuse (F1)
4	3305260Q01	Nameplate, Front	48	0400009761	Lockwasher, Split #4 (2 req'd)
6	1305564R01	Escutcheon, On/Off Volume	49	0305941K01	Screw, Captive 4-40 (2 req'd)
7	REX1151A	Kit, 99 Channel, Controller Flex; includes items 8, 9, 10, 13, 14, 67, 68, 69, 75, 77, 78	50	6405531P02	Plate, Base
	REX1150A	Kit, 16 Channel, Controller Flex; includes items 8, 9, 10, 13, 14, 67, 68, 69, 75, 77, 78	51	4505535P01	Lever, PTT
8	2605764R01	Shield, Bottom	52	0305137Q04	Screw, Phillips Hd.; 4-40 x 1/2" (2 req'd)
9	----	Assembly, Controller Flex; part of item 7	53	0484345A06	Washer, Seal (2 req'd)
10	----	Shield, Center; Top Carrier Side; part of item 7	56	3205231Q01	Seal, Dome (PTT); part of item 59
11	0102706J99	Cover, Dust	57	3205196Q01	Seal, Dome (Mon); part of item 59
12	0105951N79	Assembly, Knob; Volume	58	3905834K04	Contact, Snap Dome; part of item 59
13	1505764R01	Carrier, Top; Controller Flex	59	0105951N40	Assembly, B+/PTT Flex; includes items 56, 57, 58
14	----	Shield, Center; Bottom Carrier Side; part of item 7	64	0102704J74	Assembly, Main Back Shield, UHF
15	0300136771	Screw, Phillips 2-56 x 3/16" (4 req'd)	65	0300136772	Screw, Phillips Hd.; 2-56 x 3/16" (5 req'd)
16	1305563R01	Escutcheon, Display	67	0300138620	Screw, Phillips; 2-56 x 5/16" (2 req'd)
	1305676R07	Escutcheon, 16 Channel	68	0905467R01	Jack (J2)
17	0405534R01	Washer, Flat; Octagonal (Volume Pot)	69	0905467R01	Jack (J1)
18	0205629L02	Nut, Hex; Volume Pot	70	0105951P28	Assembly, Front Shield
19	0205163Q01	Nut, Spanner; Mode Select Switch	71	1405264Q01	Insulator, Flex
20	0405162Q02	Washer, Flat; Volume Pot	74	0105958N56	Assembly, Volume Pot Flex, 90 Channel
21	0405216L04	Washer, Flat, Antenna	75	0905577P01	Jack (J3)
22	0205764L02	Nut, Spanner	76	0105958N55	Assembly, Frequency Flex
23	0205562R02	Nut, Plate		0105950P96	Assembly, Frequency Flex, 16 Channel
24	3205556R02	Seal, Nut Plate	77	0905577P01	Jack (J4)
25	0105958N64	Assembly, Control Top, 90 Channel	78	0905504R01	Jack (J5)
	0105951N41	Assembly, Control Top, 16 Channel	79	3205141Q01	Gasket, "O" Ring
26	0305573R01	Screw, Phillips Hd.; 2-56 x 3/16"	80	4205140Q01	Clamp, Speaker (3 req'd)
27	3805558R02	Elastomer, Switch (2 req'd)	81	5005155Q03	Speaker (LS1)
28	0405162Q01	Washer, Flat	82	4202036J03	Retainer, Microphone
29	7505561R01	Pad, LCD (2 req'd)	83	1405299L01	Boot, Microphone; part of item 84
31	1805100Q04	Switch/Pot, On-Off/Volume (S1/R140)	84	0102700J81	Assembly, Microphone Flex (MK1); includes items 81, 83, 89, and 90
32	3205141Q02	Gasket, "O" Ring; Control Top	85	7505564S01	Pad, Microphone Boot
33	3205141Q03	Gasket, "O" Ring; Mode Select Switch	86	7505501R03	Pad, Front Cover
34	3205082E01	Gasket, "O" Ring; Volume Pot	87	0300132342	Screw, Phillips; 2-56 x 1/4"
35	0300140369	Screw, Flat Hd.; 2-56 x 1/8" (5 req'd)	88	3505152J01	Felt, Speaker
36	4605945K05	Contact Stud, Battery	90	----	Cartridge, Microphone; part of item 84
37	3905237Q01	Contact, B+	91	4005101Q02	Switch (S3)
38	3205082E24	Gasket, "O" Ring	92	1405299Q01	Insulator, Speaker
39	RPX4636A	Battery Contact Replacement	93	7505501R02	Pad, Speaker
41	2905124Q01	Lug (2 req'd)	94	----	(P501) part of item 76
42	0400002625	Lockwasher, Split # (3 req'd)	96	2605123S01	Shield, PC Board; Bottom
43	4105944K01	Spring, Battery Latch (2 req'd)	97	0105953P91	Assembly, Buffer Shield
44	5505536P01	Latch	98	0305103S01	Screw, Captive
			99	3905178S01	Contact, Grounding
			100	1405496R01	Insulator
			101	0300139939	Screw, Phillips; 2-56 x 5/32"



MOTOROLA

MT1000 Series

Portable Accessories

CHARGERS

Choose rapid or regular rate, single unit chargers or rapid rate, multiple unit charger. The rapid chargers are equipped with red and green lights to indicate rapid charging and charge complete. All desktop chargers will accept any of the battery sizes, with or without radio attached.

Single Unit



NTN4633C

NTN4635B
Desktop, Regular charge Rate, 117V

NTN4636A
Desktop, Regular Charge Rate, 220V, 50-60 Hz (supplied with 2 prong plug)

NTN4633C Desktop, Rapid Charge Rate, 117V

NTN4634B Desktop, Rapid Charge Rate 220V, 50-60 Hz (supplied with 2 prong plug)

Compact Chargers

The charger's small size and light weight make it easy to transport.

NTN4666B Compact, Regular Charge Rate, 117V

NTN4667A Compact, Regular Charge Rate, 220V, 50-60 Hz (supplied with 2 prong plug)



NTN4666B

Multi-Unit Charger



NTN4922A

NTN4668B Desktop, Rapid Charge Rate, 117V

NTN4922B Desktop, Rapid Charge Rate, 220V (supplied with 2 prong plug)

CHARGERS

Vehicular Chargers

NTN5438A* 12V DC, 16 Hour Charge Rate

NKN6428A 12V Cable Kit (Only required if not used with PAC-RT)

NTN5368A RF Adapter, Utilizes Universal Connector (incompatible with audio accessories)



NTN5368A



NKN6408A

NKN6408A RF Cable Kit

* Not compatible with cable kits NKN6149A, NKN6150A, and NKN6151A

Charger Multi-Unit Mounts

NLN7967A Wall Mount



NLN7967A



MOTOROLA

MT1000 Series

Portable Accessories

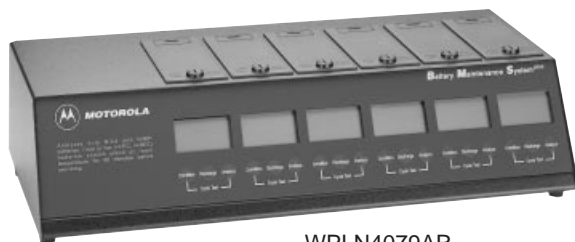
BATTERY MAINTENANCE SYSTEM^{PLUS} (BMS Plus)

Using interchangeable battery adapters (sold separately), the BMS Plus is capable of charging and discharging, analyzing, conditioning and cycle test on batteries; tracking battery voltage and capacity (mAh).

The BMS Plus offers a 3 year warranty. Its easy-to-use design supports hundreds of 2-way, cellular, and camcorder batteries with printer port* (Serial-RS-232C port – uses female 9-pin to male 25-pin cable).

WPLN4079AR Six Station, 110V AC, 50/60 Hz

WPLN4080AR Six Station, 230V AC, 50/60 Hz



WPLN4079AR

Adapter

TDN9441A Standard Adapter, MT1000

*Compatible with the STAR Micronics SP200 series printers, available from any STAR Micronics distributor, and other printers with STAR emulation.

BATTERY OPTIMIZING SYSTEM (BOS)

The Battery Optimizing System accommodates NiCD, NiMH, Li-Ion, and SLA. Four independent stations for simultaneous service of 4 batteries. Reads battery capacity in percentage of nominal rating; verifies voltage; measures battery temperature and displays battery impedance in milliohms. (Adapter sold separately).



WPLN4071AR

WPLN4071AR 4 Station, 110V AC, 50/60 Hz

WPLN4073AR 4 Station, 230V AC, 50/60 Hz

Adapters

RL-71173 Standard Adapter, MT1000

MOTOROLA CONDITIONING CHARGER (MCC)

The MCC will help extend battery life and enhance battery operation. It will safely condition and charge your specified Nickel Cadmium (NiCD) and Nickel Metal Hydride (NiMH) batteries in approximately an hour.

WPPN4009AR 110V AC Base Charge Unit with adapter plates

WPPN4010AR 220V AC Base Charge Unit with adapter plates

3080384G15 Cigarette Lighter Adapter Cord

MCC Multi-Unit Conditioning Charger

WPPN4074AR Four-station, 110V with permanent adapter plates

WPPN4075AR Four-station, 220V with permanent adapter plates



MOTOROLA

MT1000 Series

Portable Accessories

BATTERY DISCHARGE TESTER



RLN4201B

Tester determines a battery's delivered capacity by discharging a fully charged battery. 'LED' indicates cycle status by turning "ON" when fully charged battery is placed in adapter and "OFF" when discharge is complete. Plug-in adapters allow one console to discharge most batteries. No AC power source required (console is powered by discharging battery).

RLN4201B Single Unit Battery Discharge Tester, Requires Battery Adapter or Cable/Clip Lead

RLN4047A Battery Adapter

RKN4038A Cable/Clip Lead, 10V

VEHICULAR BATTERY ELIMINATOR

The Battery Eliminator saves battery life by drawing power from the vehicle's battery while providing overvoltage protection. Use by sliding eliminator onto radio in place of battery and plugging adapter into cigarette lighter.



RLN4265A

RLN4265A Battery Eliminator, Coil Cord, Cigarette Lighter Adapter

CARRYING ACCESSORIES

Carrying Cases

A variety of carrying accessories are available for your comfort and convenience. The carrying cases are available in sizes designed to fit your radio & battery and permit audio to be heard clearly.

Standard

NTN5460B Leather Carry Case with T-Strap and Spacer, for High or Medium Capacity Battery (Snap)



NTN5460B

Swivel

NTN5461B Leather Carry Case with T-Strap, Spacer and 2½" Swivel Belt Loop, for High or Medium Capacity Battery (Snap)

NTN5883A Leather Carry Case with T-Strap, Spacer, and Swivel Belt Loop for High or Medium Capacity Battery (Snap), Fits 3" Belt

NTN5450B Leather DTMF Swivel Carrying Case, Long (Snap), Fits 2¼" Belt

NTN5884A Leather DTMF Swivel Carrying Case, Long (Snap), Fits 3" Belt



NTN5461B

Carry Holders

NTN4814C Belt Clip Carry Holder, Fits 2¼" Belt

NTN5827A Belt Clip Carry Holder, Fits 3" Belt



MOTOROLA

MT1000 Series

Portable Accessories

CARRYING ACCESSORIES

Spacer

4305525R02 Spacer for Carry Case, Spare



HLN6602A

Chest Pack

HLN6602A
Universal Chest Pack with radio holder, pen holder and velcro secured pocket

1505596Z02
Replacement strap for HLN6602

RadioPAK™

RLN4815A Universal RadioPAK™ with Radio Holder. Worn around waist with adjustable belt. Includes attached 6" by 8" zippered pouch for other job necessities

4280384F89 Universal RadioPAK™ belt lengthener; fits waists larger than 40"

Portable Radio Hanger

The portable radio hanger slides over and hangs from the door panel in a vehicle. The radio's belt clip slides onto the portable hanger allowing convenient easy mounting. Two sizes are available to fit door panels.

TDN9327A Portable Radio Hanger, for Door Panels up to 2 1/4"

TDN9373A Portable Radio Hanger, for Door Panels 2 3/4" to 3 1/4"

Belt Loops

4282421J06 Swivel Belt Loop, 2 1/2"

4205857B01 Swivel Belt Loop, 3"



4282421J06

CARRYING ACCESSORIES



NTN4916B

Belt Clips

NTN4916B Belt Clip, 1 1/2"

NTN4924B Belt Clip, 2 1/4"

NTN5602A Public Safety Size Belt Clip
3" Black Aluminum

Belt

4200865599 Belt, Black



4200865599

Carrying Strap

NTN5243A Carrying Strap, Black



NTN5243A

T-Strap



4205386S01

4205386S03 T-Strap, Nylon for Leather Carrying Cases (Snap)

4205386S01 T-Strap, Nylon for Leather Carrying Cases (Velcro)



4205447R03

4205447R03 T-Strap, Urethane, for Carry Holder (Snap)

Button Back Cover

NTN5497A T-Bar Button Back Cover Kit, Black



MOTOROLA

MT1000 Series

Portable Accessories

AUDIO ACCESSORIES

Remote Speaker Microphone

Provides remote talk and listen capability. By attaching the microphone to the universal connector, located on the top of the radio, you can use the remote speaker microphone to transmit or receive while the radio remains comfortably on the belt or in the case.



NMN6156B

NMN6145B Remote Speaker Microphone with Clip, Clip Cord and 2.5 mm Earphone Jack

NMN6156B Remote Speaker/Microphone with Clip and Coil Cord

NTN5050A Public Safety Remote Speaker/Microphone with Velcro Back UHF Models Only (requires antenna and velcro patch, order separately)

NTN5493A Public Safety Remote Speaker Microphone with Clip Back, UHF Models Only (order required antenna separately)

Antennas for Public Safety Speaker/Microphones

8505355K03 Speaker/Microphone Antenna, 400-430 MHz

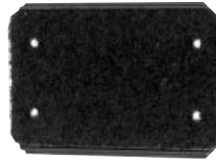
8505355K04 Speaker/Microphone Antenna, 440-470 MHz

8505309N11 Speaker/Microphone Antenna, 470-512 MHz



8505355K04

AUDIO ACCESSORIES



NLN8410A

NLN8410A Velcro Patch Pin Attachment

Epaulet Strap

Black leather epaulet straps secure remote speaker microphones to epaulet of shirts or jackets and attach around cord. Allows reliable communications in hostile environments with Velcro or clip style strap.



RLN4294A

RLN4294A Epaulet Strap, Velcro

RLN4295A Epaulet Strap, Small Clip



RLN4295A

Earpiece

5083693B01 Earpiece and Volume Control (requires NTN4812B 3.5mm Earpiece Jack Adapter)

5083693B04 Earpiece and Volume Control (3.5 mm)

5880378B84 3.5 mm to 2.5 mm Jack Adapter



MOTOROLA

MT1000 Series

Portable Accessories

AUDIO ACCESSORIES

Flexible Ear Receiver

BDN6717B Ear receiver with 3.5 mm plug, to be used with adapter NTN4812



BDN6717B



NTN4812B

NTN4812B Earphone Jack Adapter

Surveillance

NTN5075B Hirose Adapter for Two- and Three-Wire Surveillance Accessories

ZMN6031A Three-wire surveillance accessory with earpiece, microphone and push-to-talk as separate pieces. Factory Mutual Approved. Requires NTN5075B



ZMN6031A

ZMN6032A Two-wire surveillance accessory with earpiece, microphone and push-to-talk. Microphone and PTT are combined. Factory Mutual Approved. Requires NTN5075B



ZMN6032A

Ear Mikes

Single unit microphone and speaker worn in the ear. Eliminates the need for handheld microphones or conventional headsets. Compact, rugged design allows use under hearing protectors and protective clothing. Order cable separately.

RMN4001B Ear Mike



RMN4001B

AUDIO ACCESSORIES



0180359A51

0180359A39 Interface Cable

0180359A51 Optional PTT Ring Switch for RMN4001A only

0180356B97 Optional PTT Ring Switch for RMN4001B Only

Noise Kits

Lightweight translucent tube attaches to Motorola surveillance accessories. Clothing clip prevents the accessory from being pulled from the ear due to body movement or head rotation.

NTN8370A Extreme Noise Kit, includes 2 foam earplugs for loud environments

NTN8371A Low Noise Kit, includes rubber eartip for low noise environments

5080384F72 Replacement Foam Plugs. Pack of 50 (for use with NTN8370A)

Earpiece

The clear comfortable earpiece forms to the inside of your ear and is perfect for low noise environments. Compatible with the NTN8371A, clear acoustic tube assembly, and most surveillance kits (1, 2 and 3 wire). This earpiece is made of easy-to-clean chemically inert, hypoallergenic material.

There are 3 items needed to make this product work:

1. Clear Comfortable Earpiece
2. Clear Acoustic Tube Assembly (NTN8371A)
3. Surveillance Kits

RLN4760A Small Custom Earpiece, right ear

RLN4763A Small Custom Earpiece, left, ear

RLN4761A Medium Custom Earpiece, right ear

RLN4764A Medium Custom Earpiece, left ear

RLN4762A Large Custom Earpiece, right ear

RLN4765A Large Custom Earpiece, left ear



MOTOROLA

MT1000 Series

Portable Accessories

AUDIO ACCESSORIES

Ear Microphone

This compact unit picks up the voice through bone vibrations in the ear canal. Ideal for use in high noise environments. Available in PTT or Voice activated (VOX) capabilities for total hands free communications.

Order Interface Module separately.

BDN6677A* Ear Microphone for Standard Noise Levels (up to 95 dB), Black

BDN6678A* Ear Microphone for Standard Noise Levels (up to 95 dB), Beige



BDN6677A

BDN6641A* Ear Microphone for High Noise Levels (up to 105 dB), Grey



BDN6657B

(shown with BDN6677A)

Interface Module

BDN6656B* Push-To-Talk Interface Module

BDN6657B* Voice-Activated Interface Module

AUDIO ACCESSORIES

Optional Accessories

0180358B38* Remote Push-To-Talk Ring Switch



0180358B38

0180300E25 Earguard with Adjustable Loop

0180358B32 Earholder, Black, Size Small; Secures ear mic in ear

0180358B33 Earholder, Black, Size Medium; Secures ear mic in ear

0180358B34 Earholder, Black, Size Large; Secures ear mic in ear

0180358B35 Earholder, Clear, Size Small; Secures ear mic in ear

0180358B36 Earholder, Clear, Size Medium; Secures ear mic in ear

0180358B37 Earholder, Clear, Size Large; Secures ear mic in ear



0180358B33

4280369E44 Replaceable Belt Clip with Screws

5080358B28 Eartips, Black, Size Medium (10 per pack)

5080358B29 Eartips, Black, Size Large (10 per pack)

5080358B30 Eartips, Beige, Size Medium (10 per pack)

5080358B31 Eartips, Beige, Size Large (10 per pack)

*Factory Mutual approved



MOTOROLA

MT1000 Series

Portable Accessories

AUDIO ACCESSORIES



BDN6645A

Headsets

High noise level headset (up to 125 dB) with noise cancelling microphone and push-to-talk switch located on ear cup. Vox module contained within headset on voice activated units. Factory Mutual Approved. NOTE: Can be worn with or without hard hat or fire helmet.

BDN6639A Radio Adapter Cable

BDN6645A Push-To-Talk Headset with Boom Microphone, Requires Adapter Cable

BDN6635B Voice-Activated Headset with Boom Microphone, Requires Adapter Cable, Includes 110 V Charger

BDN6636B Voice-Activated Headset with Throat Microphone, Requires Adapter Cable, Includes 110V Charger



BDN6636B

RMN4015A Lightweight Headset with Swivel Boom Microphone, Single Speaker and In-line PTT

0180357B05 Spare Vox Headset Charger

6881126E79 Instruction Manual for BDN6645A

6881126E78 Instruction Manual for BDN6635B and BDN6636B

VEHICULAR ADAPTER



NTN5612A

The Basic MVA console kits may be ordered separately. These items allow use of the portable radio in a mobile application. Order antenna separately.

NTN5612A Basic MVA Console includes Power Cables and Mounting Hardware

NSN6054A 12-Watt External Speaker



NSN6054A



HMN1056D

HMN1056D Microphone, Compact Palm

HMN1035C Microphone, Heavy-Duty Palm

HMN3013A Microphone, DTMF



MOTOROLA

MT1000 Series

Antennas, Batteries

PORTABLE ANTENNAS

Heliflex Antenna

Motorola Heliflex antennas are specifically engineered for maximum output and greatest communication coverage.

Heliflex

NAB6064A*

Heliflex, 30-50 MHz, 12"

8505816K01

Heliflex Molded, 136-150.8 MHz, 6.5"

8505816K03

Heliflex Molded, 150.8-162 MHz, 6"

8505816K05

Heliflex Molded, 162-174 MHz, 6"

8505816K07

Heliflex Molded, 403-433 MHz, 3"

8505816K08

Heliflex Molded, 450-470 MHz, 3"

8505816K09

Heliflex Molded, 470-512 MHz, 3"



8505816K05



8505816K09

PORTABLE BATTERIES

Nickel-Cadmium

Part Number: **NTN4822BR**

Charge: Rapid

Volts: 10V

Avg. MAH: 630

Height: 2⁷/₁₆"

FM Rating: NI



NTN4822BR

Part Number: **NTN4823BR**

Charge: Rapid

Volts: 10V

Avg. MAH: 550

Height: 2⁷/₁₆"

FM Rating: IS & NI

Part Number: **NTN5161A**

Charge: Rapid

Volts: 10V

Avg. MAH: 630

Height: 3⁵/₁₆"

FM Rating: CSA



NTN5161A

Part Number: **NTN5447BR**

Charge: Rapid

Volts: 10V

Avg. MAH: 1100

Height: 3⁵/₁₆"

FM Rating: NI

*NAB6064A is an uncut antenna. Cutting instructions and chart supplied with antenna



MOTOROLA

MT1000 Series Batteries, Tools

PORTABLE BATTERIES

Nickel-Cadmium (cont'd)

Part Number: **NTN5448BR**
Charge: Rapid
Volts: 10V
Avg. MAH: 1100
Height: 3⁵/₁₆"
FM Rating: IS & NI

Part Number: **NTN7046AR**
Charge: Rapid
Volts: 10V
Avg. MAH: 1100
Height: 3⁵/₁₆"
FM Rating: MSHA

Nickel Metal Hydride

Part Number: **NTN7015A**
Charge: Rapid
Volts: 10V
Avg. MAH: 950
Height: 2⁷/₁₆"
FM Rating: (NA)

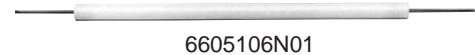
Alkaline

Part Number: **NTN4870A**
Charge: (NA)
Volts: (NA)
Avg. MAH: 2100
Height: 3⁵/₁₆"
FM Rating: (NA)

ALIGNMENT TOOLS/SERVICE TOOLS

Tuning Tool

6605106N01 Tuning Tool, Adjusts Tunable Coils, Preselector, Reference Oscillator Frequency, and Trimmer Capacitors



6605106N01

Torque Screwdriver



RSX4043A

RSX4043A Torque Screwdriver, Order Bits Separately

6680321B86 #0 Phillips Bit for Radio Screws

6680371B34

6680321B86

6680321B79 #1 Phillips Power Bit for Radio Screws

6680370B95 Spanner Bit, for Toggle Switch Spanner Nut

6680371B34 Spanner Bit, for Antenna Bushing

6680371B03 Nut Driver Bit for Volume Pot. Rotary Switch Nuts



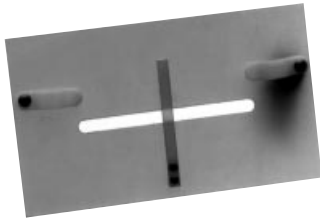
MOTOROLA

MT1000 Series

Service Tools, Aids

SERVICE TOOLS

Controller Flex Hold Down Fixture



0180371B37

Provides a secure mount for the MT1000 controller flex when removing and replacing I.C. chip carriers and chip components using the Surface Mount Service Center.
0180371B37 Controller Flex Hold Down Fixture

SERVICE AIDS

Battery Eliminator

The battery eliminator acts like a battery with a cable to access a DC external power supply. It is ideal to inspect transmitters and receivers on incoming radios. Reverse supply polarity protection and input fuse protection are provided.

RTL4226B Battery Eliminator



RTL4226B

SERVICE AIDS

Cloning Cable

Enables the frequencies, squelch codes, squelch and deviation settings to be duplicated from one radio to another. Only identical models and sub-models are compatible for cloning.

NKN6376A Cloning Cable



NKN6376A

Radio Interface Box

Links radio programming cable and computer interface together. Provides required voltage shift to enable communications between radio and computer. Requires computer interface cable, radio test and programming cable, and 9 volt snap type battery (6082728J01), order separately.

RLN4008B Radio Interface Box



RLN4008B

Wall Mounted Power Supply

Used to supply power to radio interface box 0180353A74.

0180357A57 Wall Mounted Power Supply, 110 Volts

0180358A56 Wall Mounted Power Supply, 220 Volts



0180357A57



MOTOROLA

MT1000 Series

Service Aids, Manuals

SERVICE AIDS

Computer Interface Cable

Used to connect computer's serial port to Radio Interface Box.

3080369B71 Cable, RIB to 25 pin D

3080369B72 Cable, RIB to 9 pin D



3080369B71

Radio Test and Programming Cable

Used with Portable Radio Test Set, RTX4005, for transmitter, receiver alignment and performance checks. Also used in programming radio.

RTK4205C Test and Programming Cable



REN4000A

Controller Flex Extender

Allows access to all electrical points on the controller flex and the interior of the RF board for troubleshooting purposes.

REN4000A Controller Flex

Extender

Battery Adapter

Replaces radio housing during servicing and provides easy mounting for battery eliminator, RTL4226A.

1580368B62 Battery Adapter



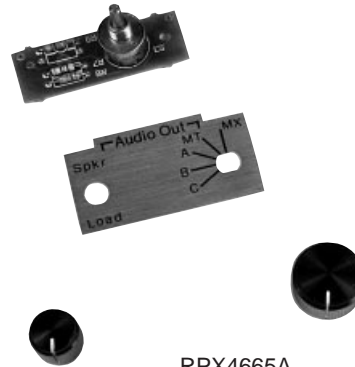
1580368B62

SERVICE AIDS

Field Modification Kit

Allows for quick field modification of RTX4005 "A" test sets to provide operation with the MT1000 Radio.

RPX4665A Field Modification, RTX4005A



RPX4665A

Programming Software

Utilizing your personal computer, this software enables you to add or reprogram frequencies as your requirements change. Compatible with IBM, XT, AT Model 30, 50, 60 and 80. Requires Radio Interface Box and proper cables, order separately.

RVN4017J Programming Software, 3 1/2" diskette (includes manual and storage box)

SERVICE MANUALS

6881067C40

VHF/UHF Service Manual

6881061C35

Operating Instructions Manual